



US00D419138S

United States Patent [19] Imai

[11] **Patent Number: Des. 419,138**
[45] **Date of Patent: ** Jan. 18, 2000**

[54] **NOTEBOOK PERSONAL COMPUTER**

[75] Inventor: **Toshitaka Imai**, Sagamihara, Japan

[73] Assignee: **International Business Machines Corporation**, Armonk, N.Y.

[**] Term: **14 Years**

[21] Appl. No.: **29/080,138**

[22] Filed: **Dec. 1, 1997**

[30] Foreign Application Priority Data

Jun. 6, 1997 [JP] Japan 9-57199

[51] **LOC (7) Cl.** **14-02**

[52] **U.S. Cl.** **D14/106**

[58] **Field of Search** D14/100, 101,
D14/106, 113, 115; D18/1, 2, 7; 235/145 A,
145 R; 345/104, 156, 168, 173; 341/22,
23; 361/680-686; 364/708.1, 709.04; 400/486,
489

[56] References Cited

U.S. PATENT DOCUMENTS

D. 357,674 4/1995 Mizusugi D14/106
D. 367,046 2/1996 Haraga et al. D14/106
D. 375,727 11/1996 Kohara et al. D14/106
D. 380,459 7/1997 Tanimura et al. D14/106

Primary Examiner—Freda Nunn
Attorney, Agent, or Firm—Daniel E. McConnell

[57] CLAIM

The ornamental design for a notebook personal computer, as shown and described.

DESCRIPTION

FIG. 1 is a perspective view from the right and slightly above of the notebook personal computer of my invention as opened for use;

FIG. 2 is a perspective view from the left and slightly above of the notebook personal computer of my invention as closed;

FIG. 3 is a front elevational view of the notebook personal computer of my invention as opened for use;

FIG. 4 is a rear elevation view of the notebook personal computer of my invention as opened for use;

FIG. 5 is a plan view from above of the notebook personal computer of my invention as opened for use;

FIG. 6 is a view from below of the notebook personal computer of my invention;

FIG. 7 is a side elevation view from the right of the notebook personal computer my invention as opened for use; and,

FIG. 8 is a side elevation view from the left of the notebook personal computer of my invention as opened for use.

1 Claim, 8 Drawing Sheets

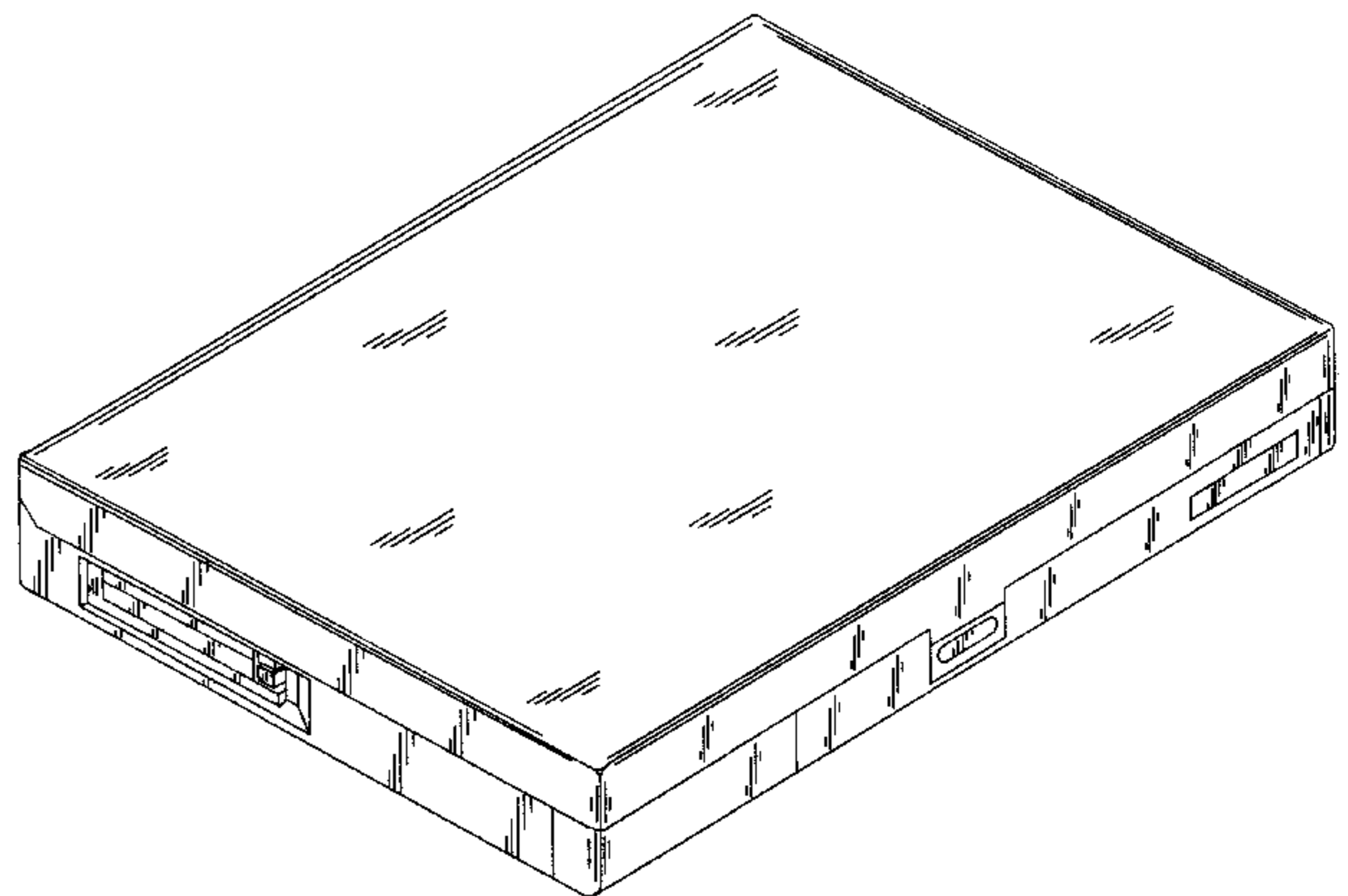
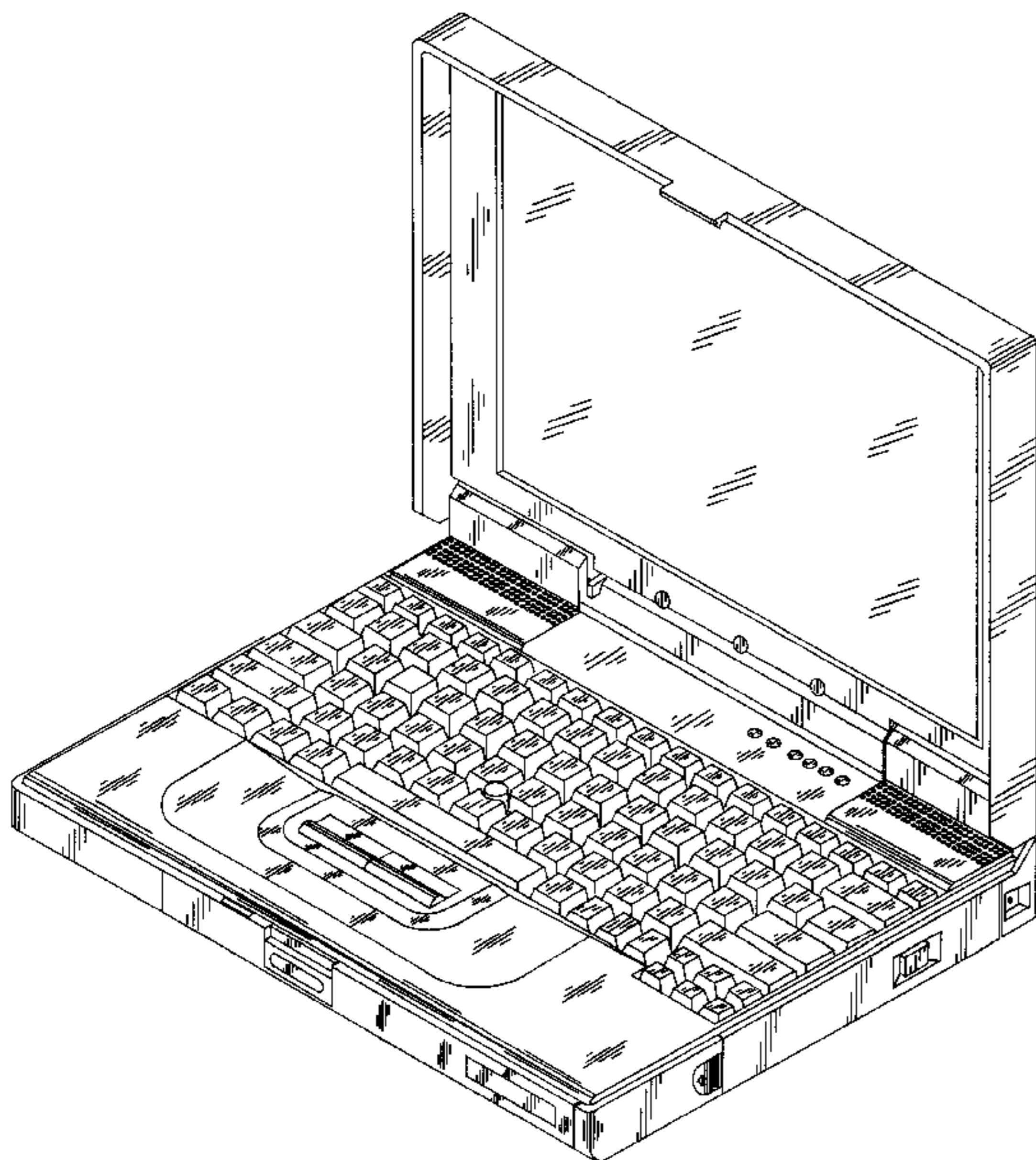


FIG. 1

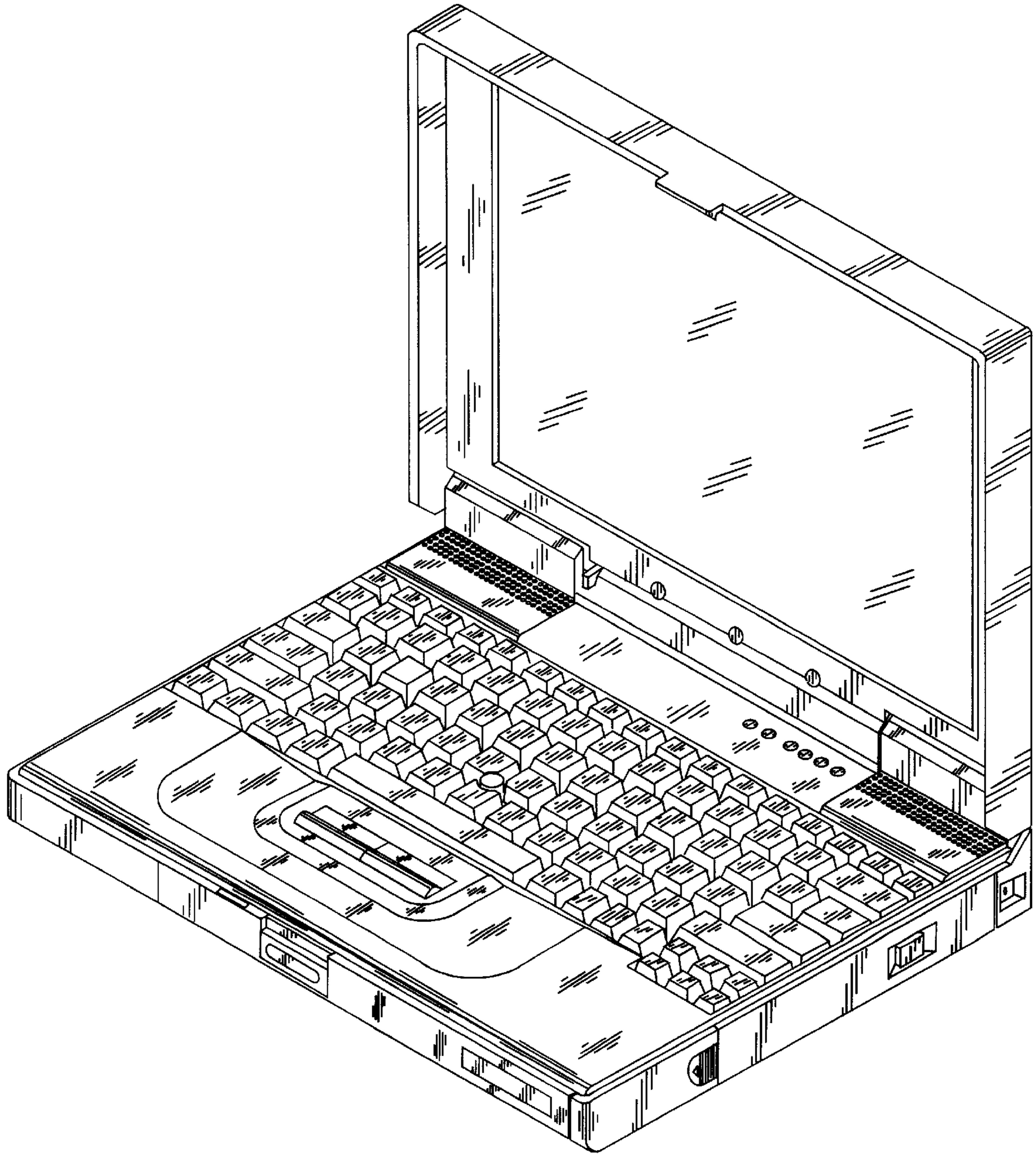


FIG. 2

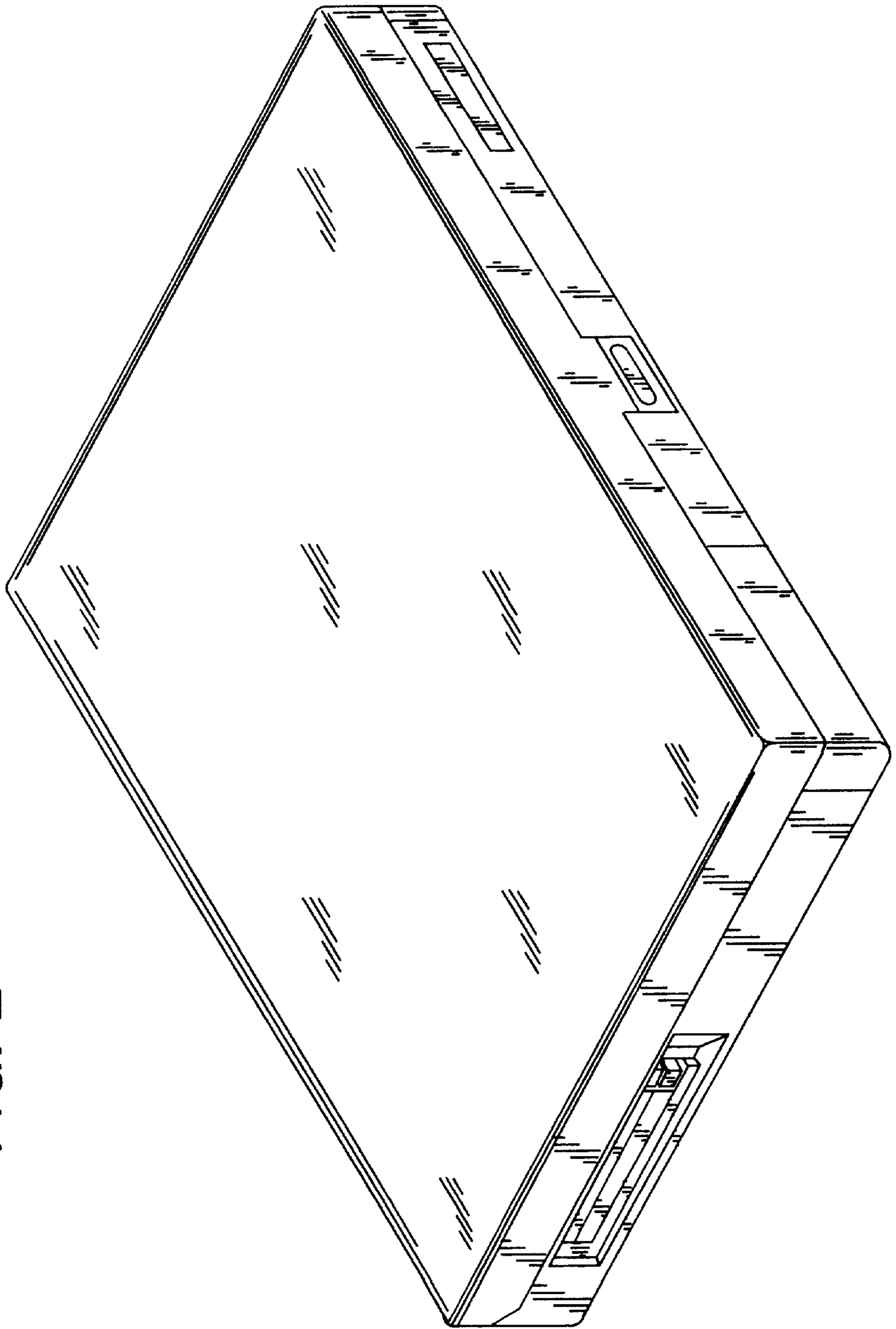


FIG. 3

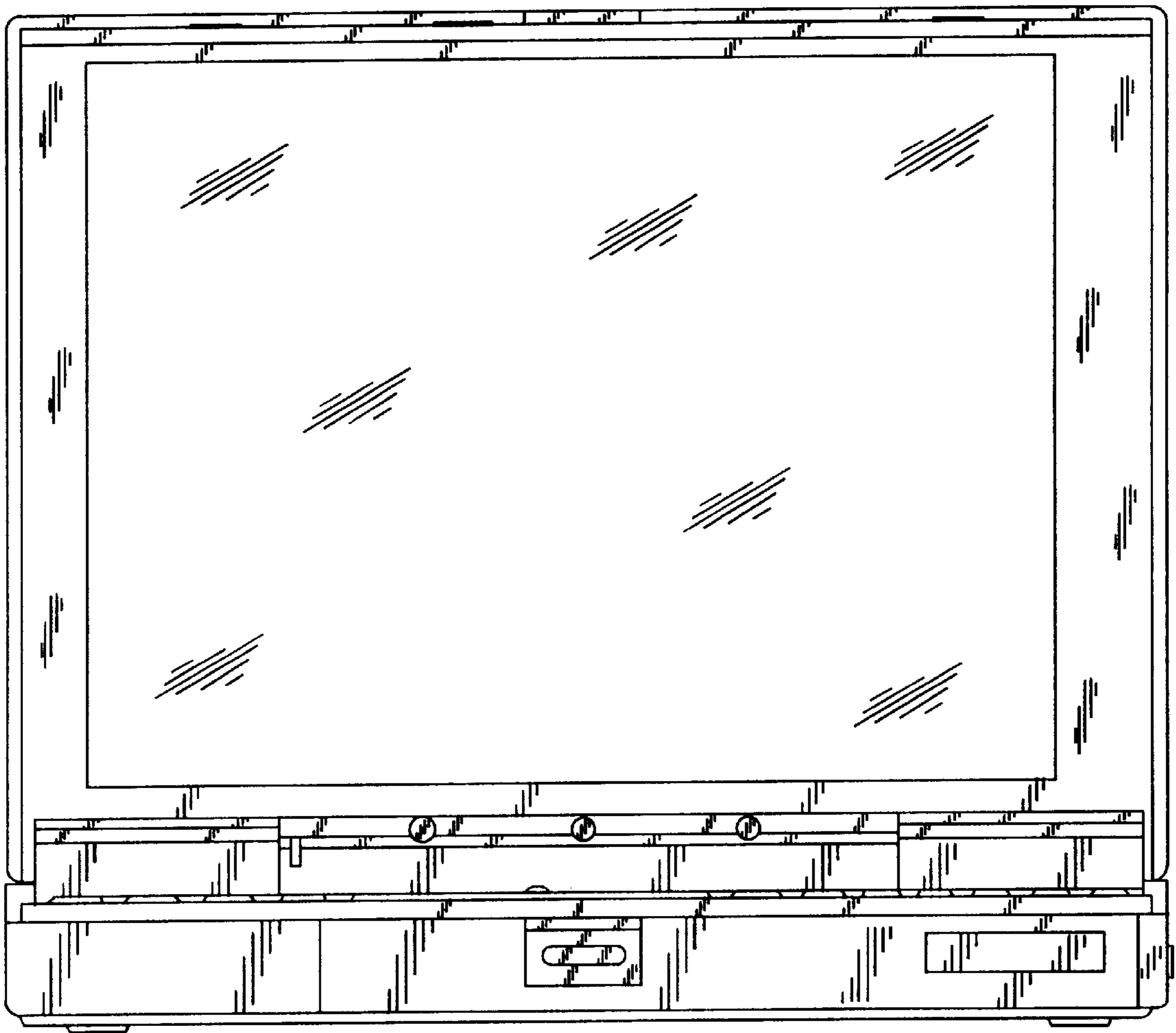


FIG. 4

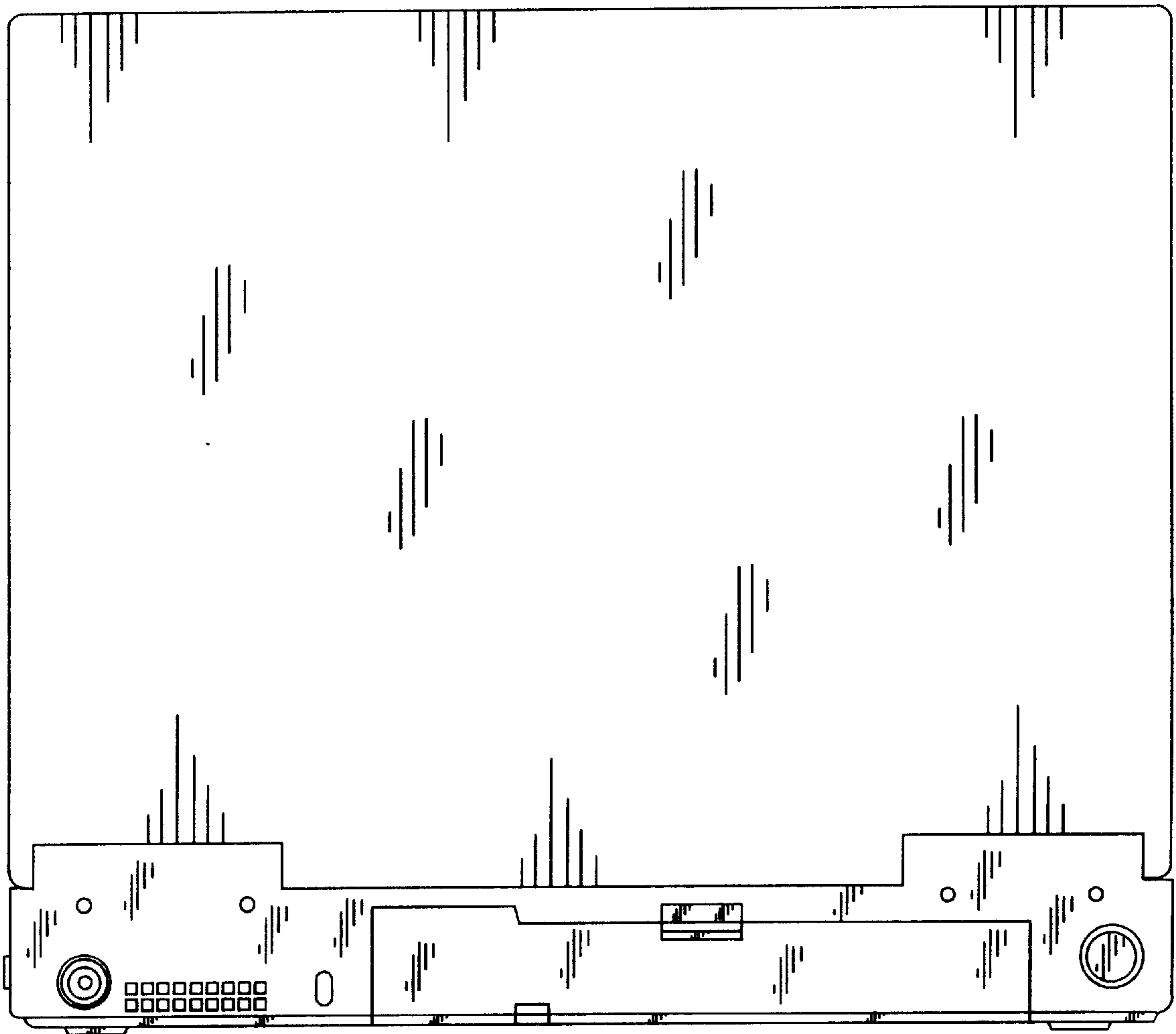


FIG. 5

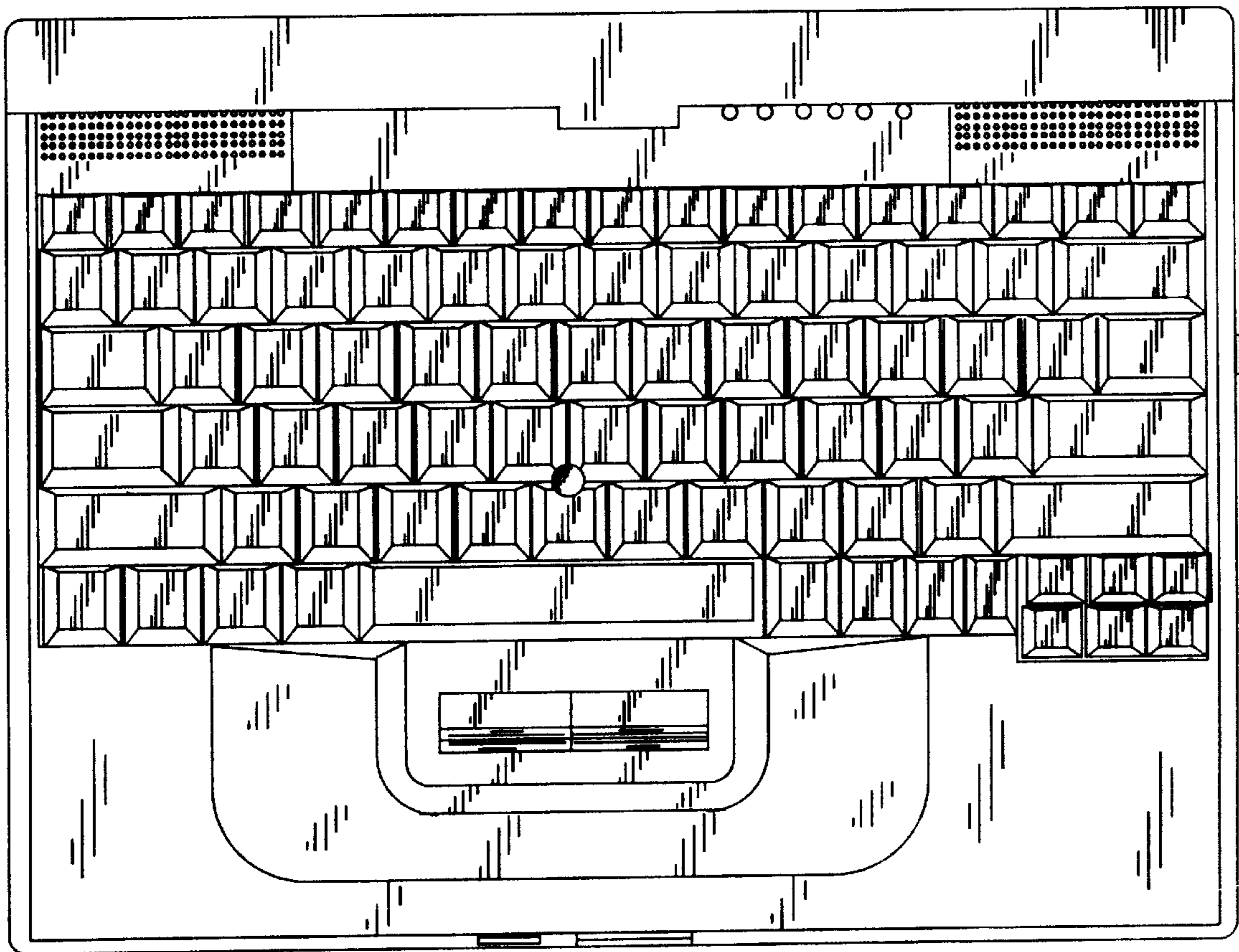


FIG. 6

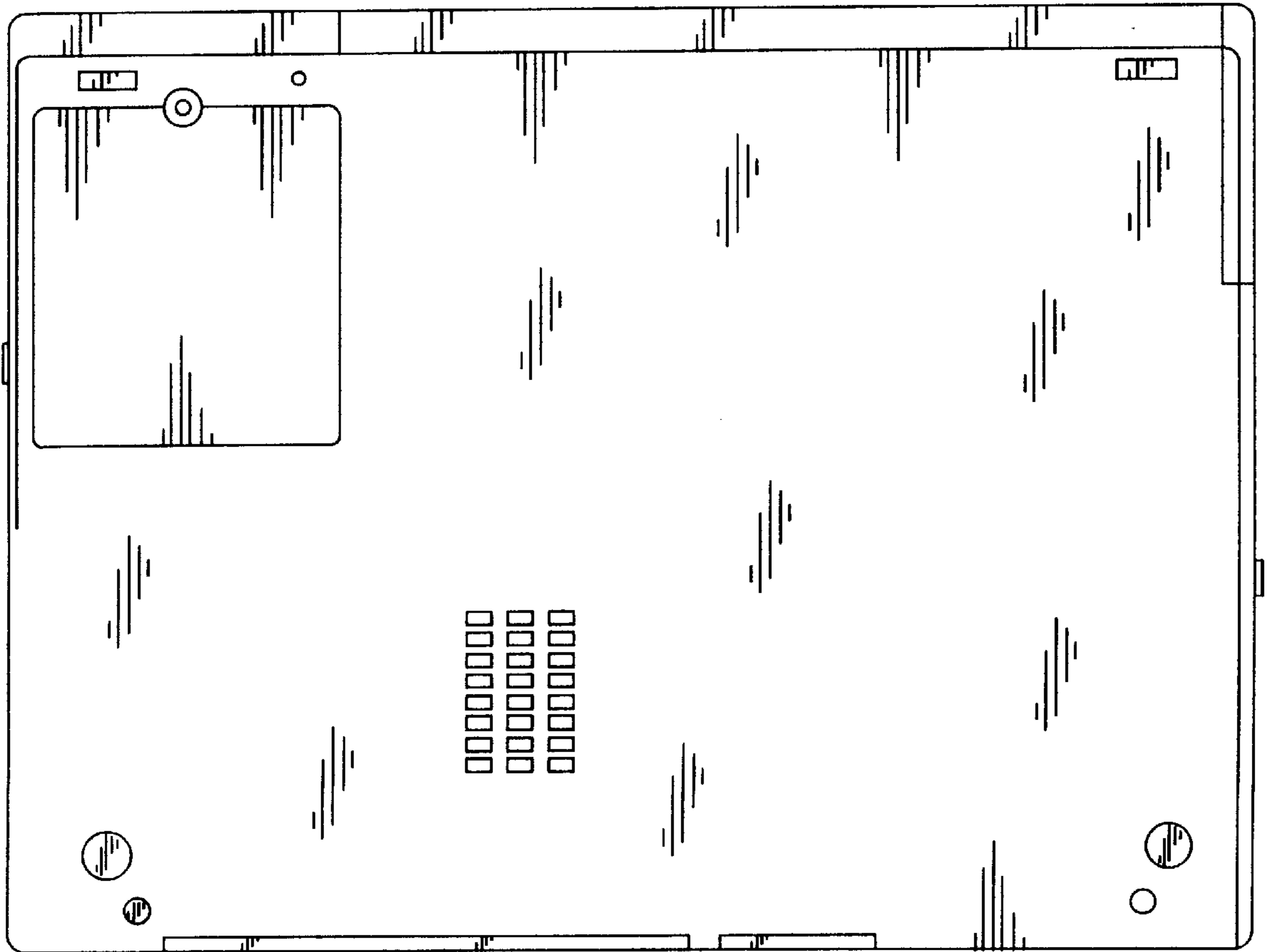


FIG. 7

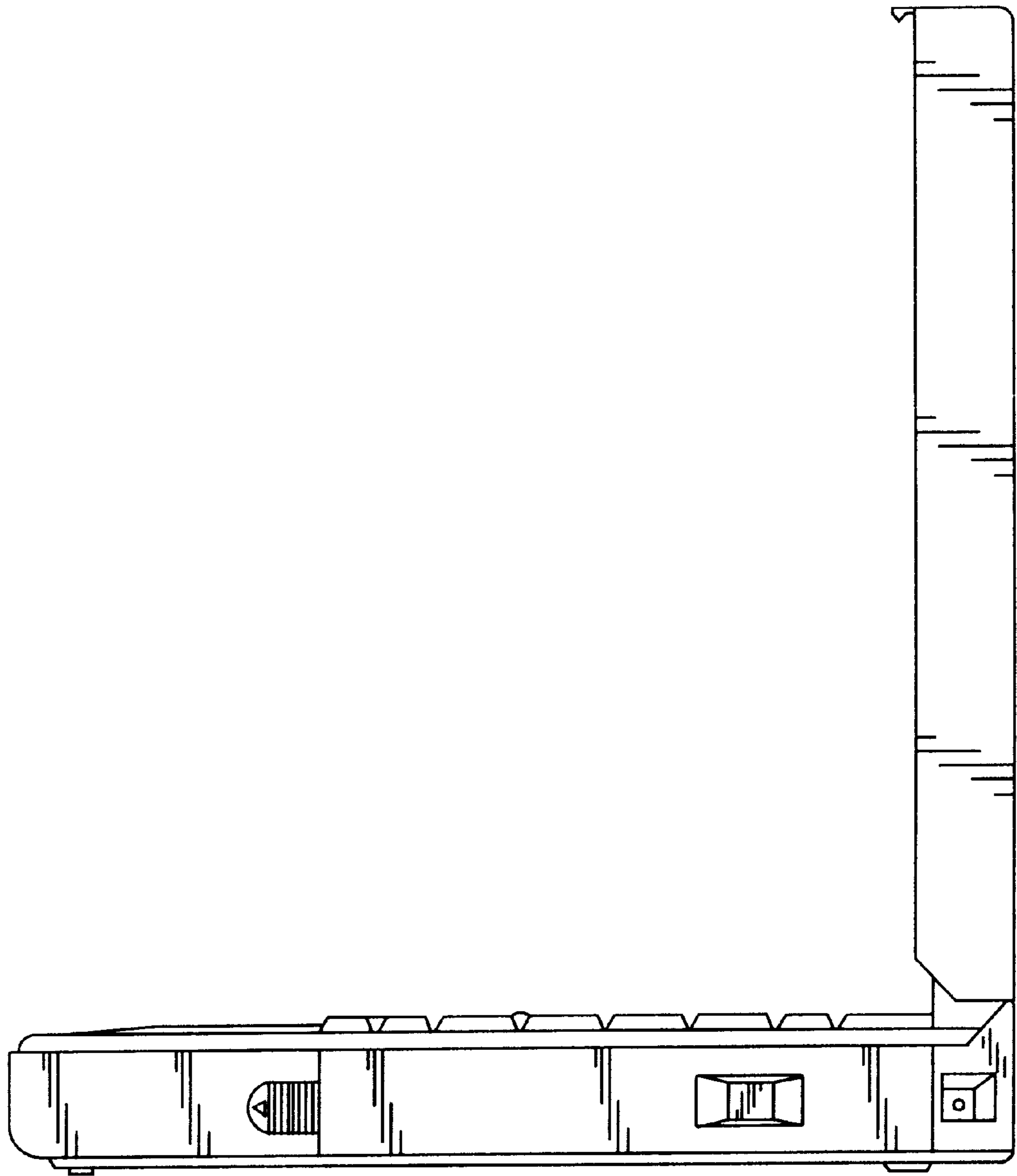


FIG. 8

