



US00D419135S

# United States Patent [19]

Wu et al.

[11] Patent Number: **Des. 419,135**

[45] Date of Patent: **\*\* Jan. 18, 2000**

[54] **ELECTRICAL CONNECTOR**

D. 377,007 12/1996 Tan et al. .... D13/147  
5,865,646 2/1999 Ortega et al. .... 439/607

[75] Inventors: **Kun-Tsan Wu, Tu-Chen; Fu-Keng Yang, Taipei, both of Taiwan**

*Primary Examiner*—Joel Sincavage

[73] Assignee: **Hon Hai Precision Ind. Co., Ltd., Taipei Hsien, Taiwan**

[57] **CLAIM**

[\*\*] Term: **14 Years**

The ornamental design for an electrical connector, as shown.

[21] Appl. No.: **29/098,445**

### DESCRIPTION

[22] Filed: **Dec. 28, 1998**

FIG. 1 is a perspective view of an electrical connector showing my new design;

[30] **Foreign Application Priority Data**

FIG. 2 is a front elevational view thereof;

Aug. 7, 1998 [TW] Taiwan ..... 87305788

FIG. 3 is a rear elevational view thereof;

[51] **LOC (7) Cl.** ..... **13-03**

FIG. 4 is a left side elevational view thereof;

[52] **U.S. Cl.** ..... **D13/147**

FIG. 5 is a right side elevational view thereof;

[58] **Field of Search** ..... D13/146, 147;  
439/607, 608, 609, 610

FIG. 6 is a top plan view thereof; and,

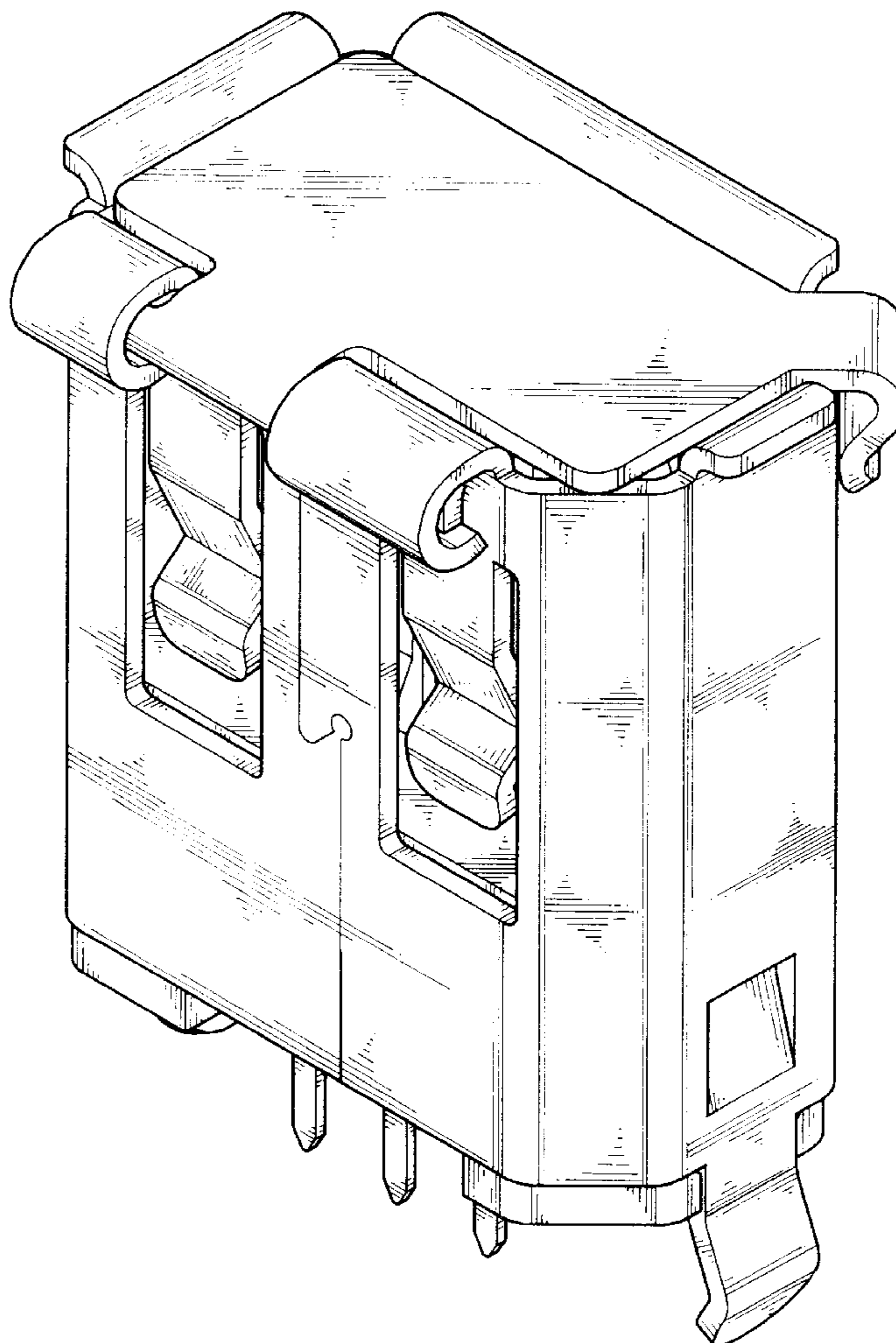
FIG. 7 is a bottom plan view thereof.

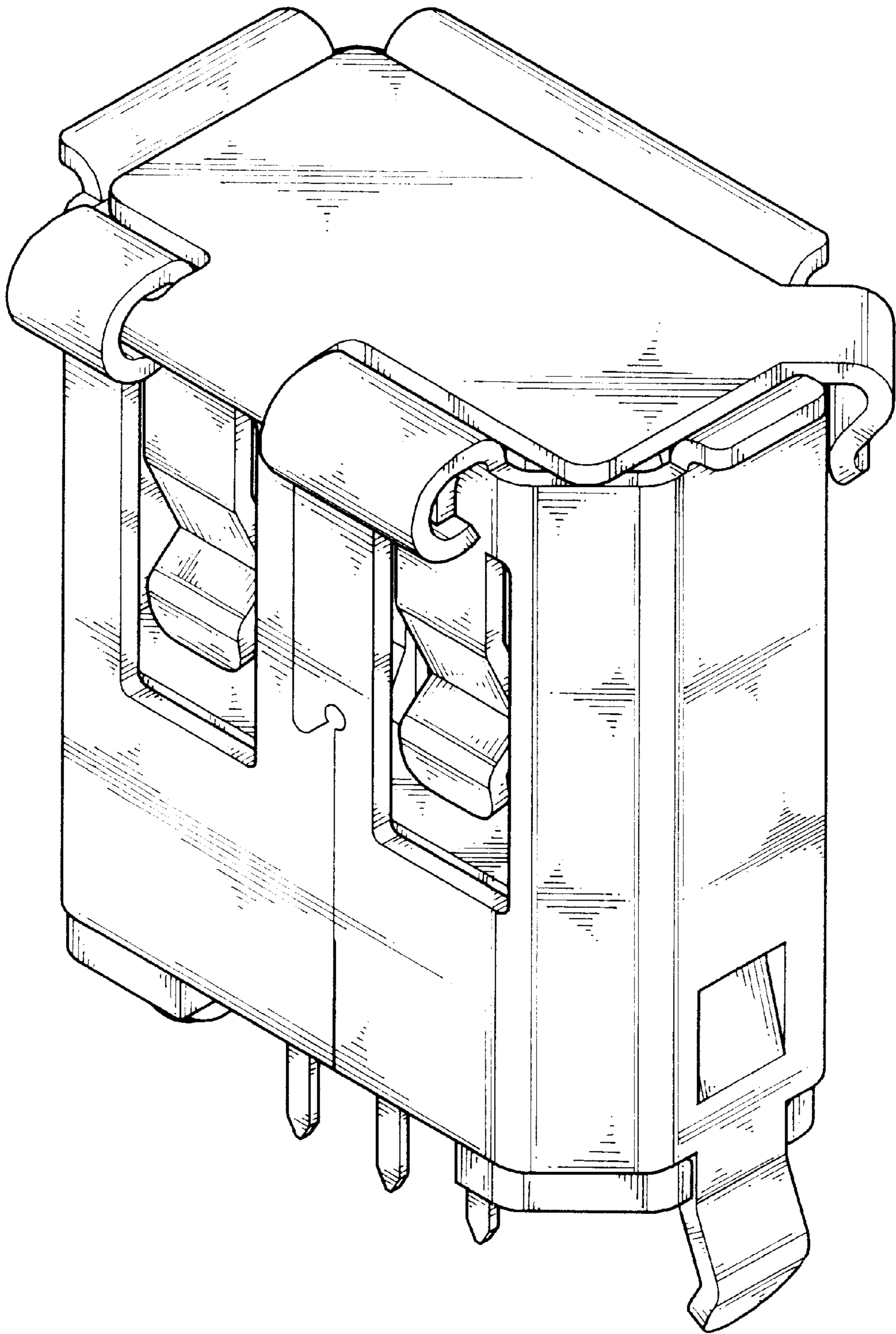
[56] **References Cited**

#### U.S. PATENT DOCUMENTS

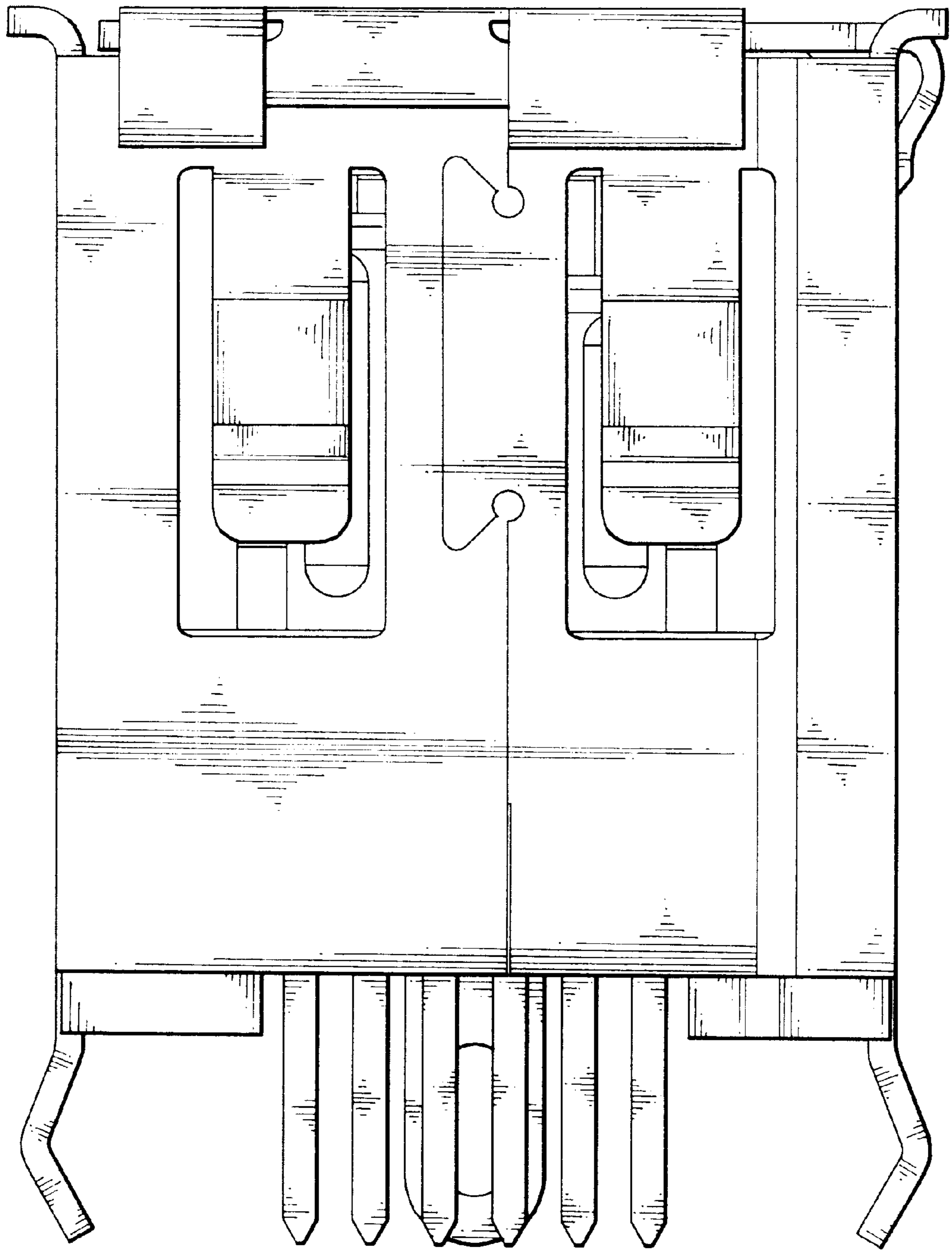
D. 344,492 2/1994 Nakamura ..... D13/147

**1 Claim, 6 Drawing Sheets**

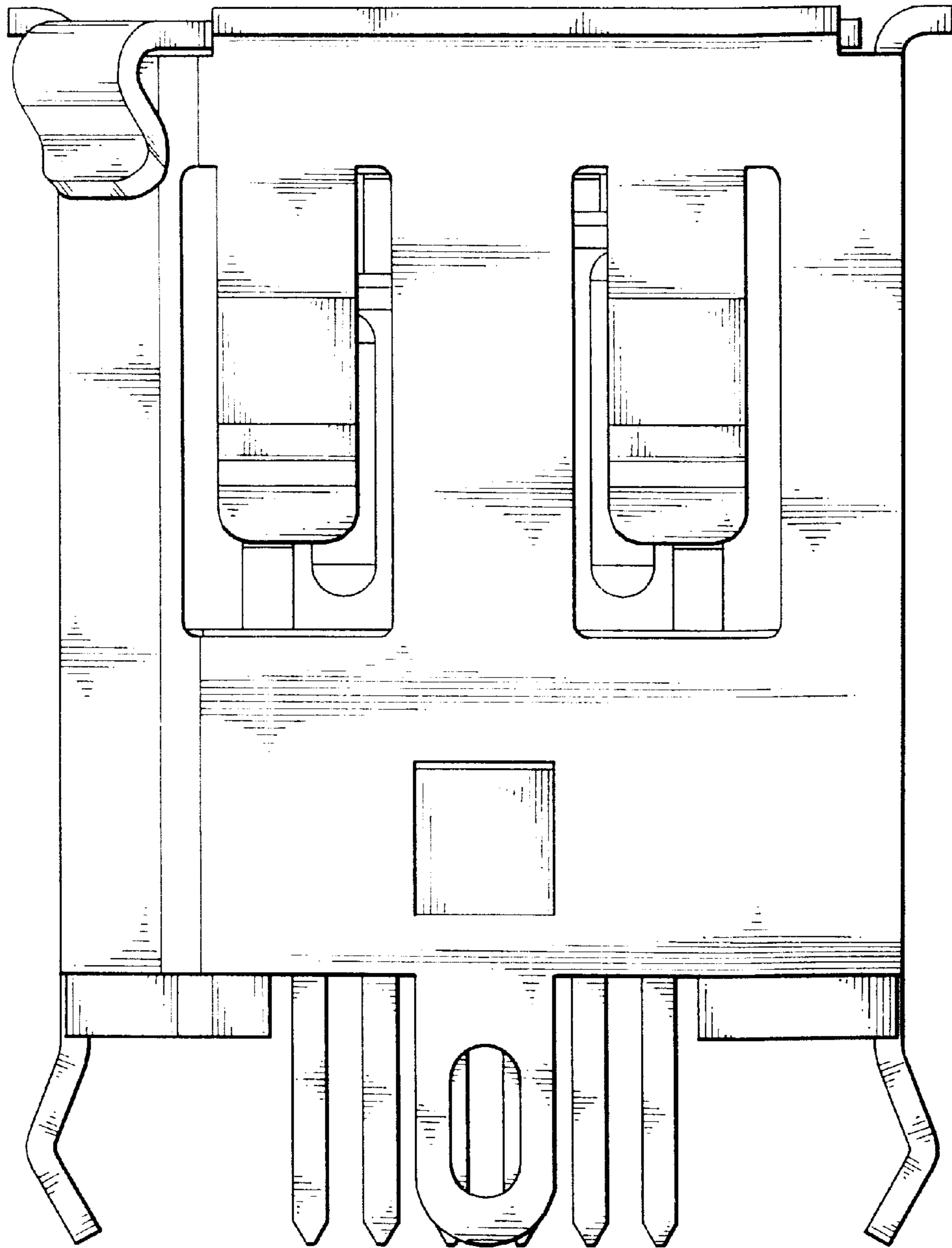




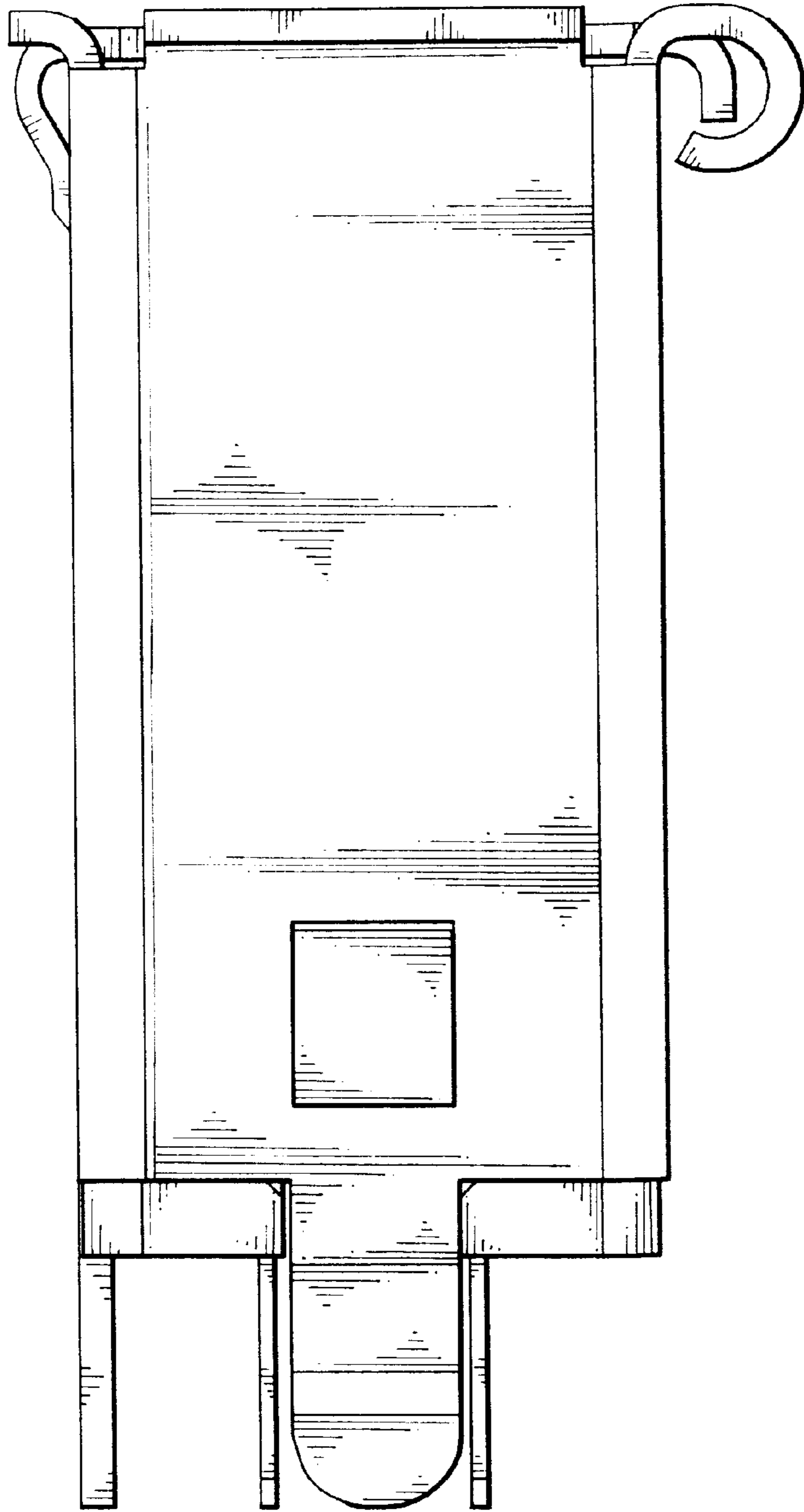
*FIG. 1*



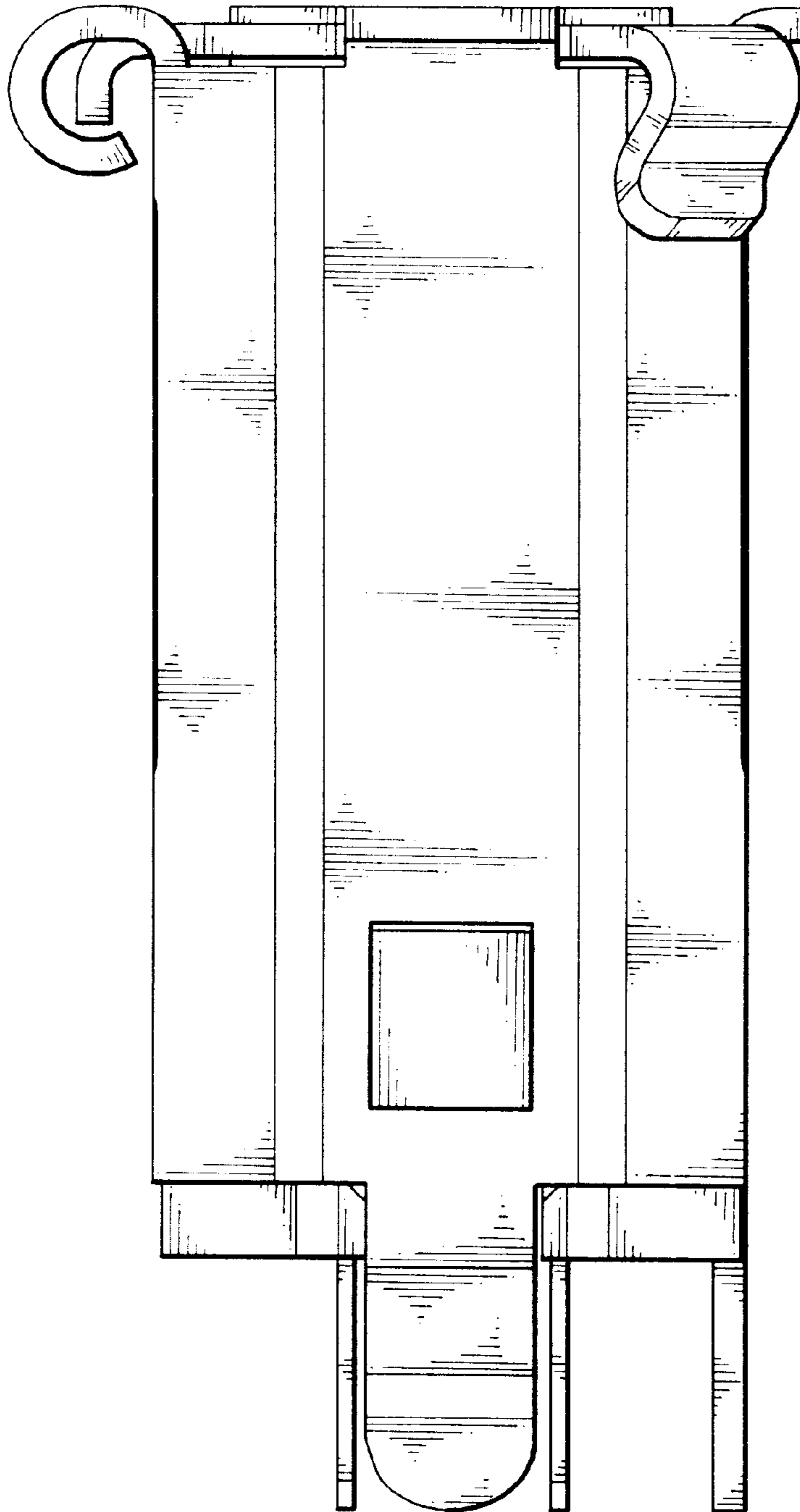
*FIG. 2*



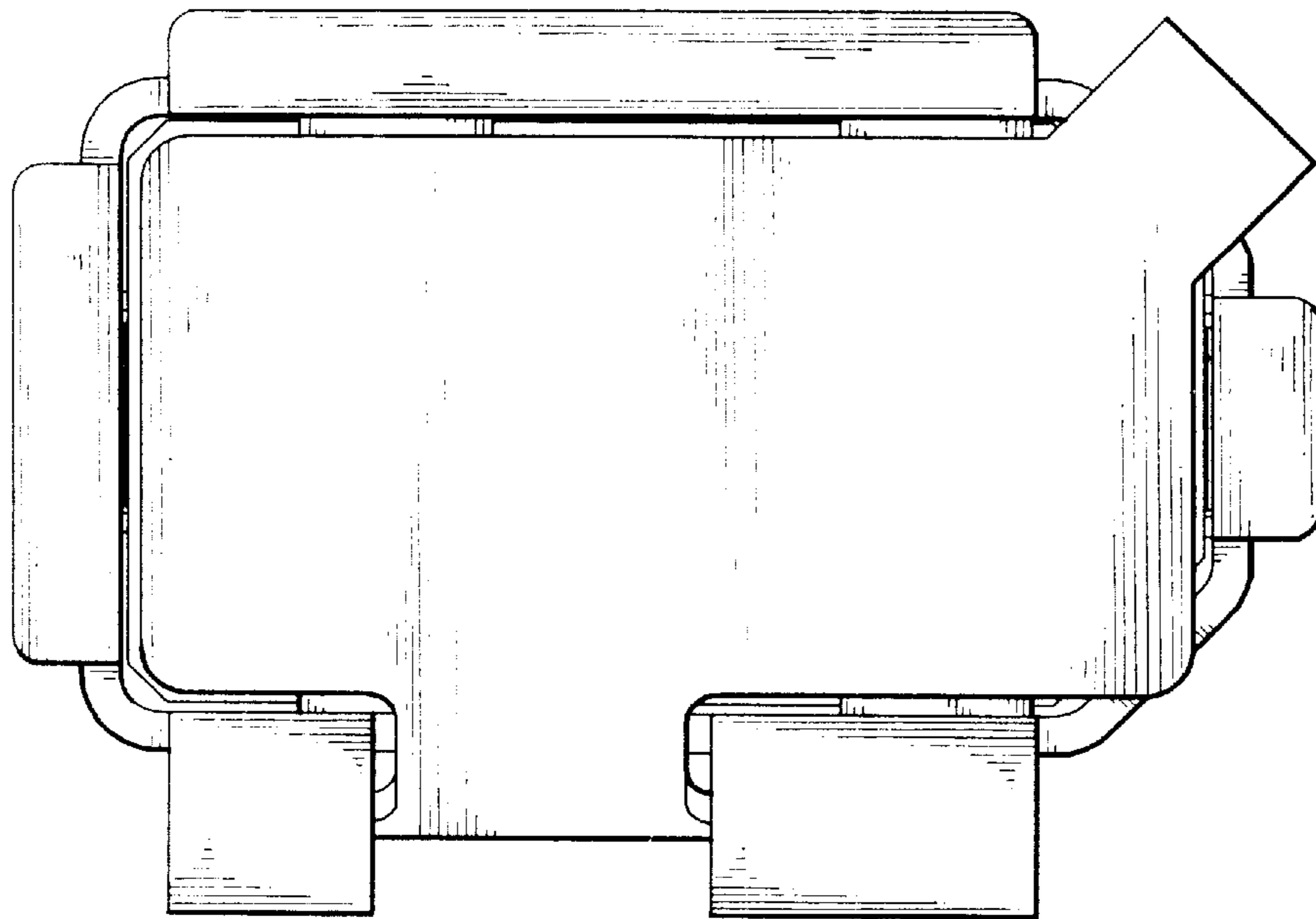
*FIG. 3*



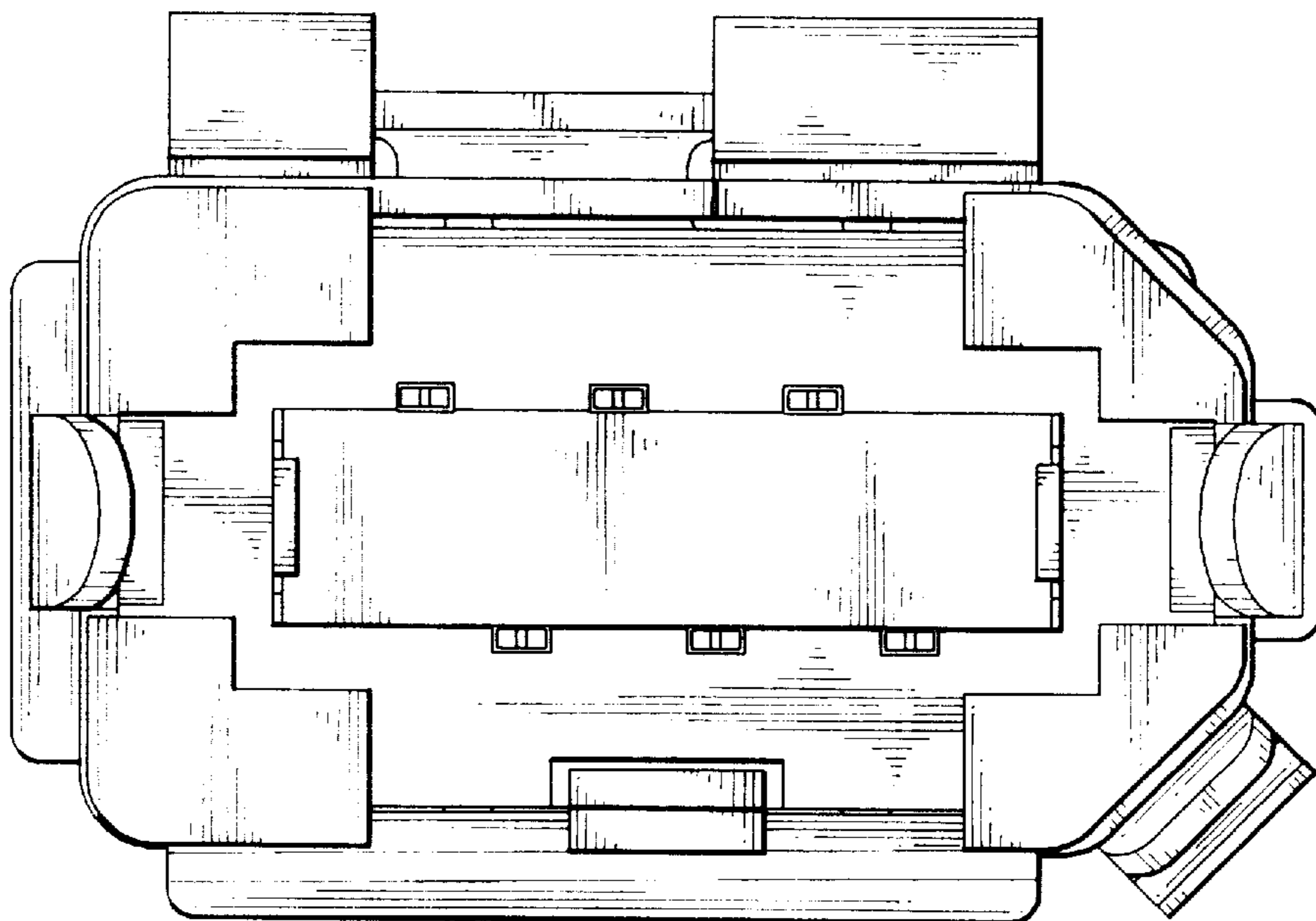
*FIG. 4*



*FIG. 5*



*FIG. 6*



*FIG. 7*