



US00D419134S

United States Patent [19] Chen

[11] Patent Number: **Des. 419,134**

[45] Date of Patent: **** Jan. 18, 2000**

[54] **ELECTRIC CONNECTOR**

[75] Inventor: **Tzu-Chin Chen**, Taipei Hsien, Taiwan

[73] Assignee: **Tekcon Electronics Corp.**, Taipei Hsien, Taiwan

[**] Term: **14 Years**

[21] Appl. No.: **29/102,365**

[22] Filed: **Mar. 23, 1999**

[51] **LOC (7) Cl.** **13-03**

[52] **U.S. Cl.** **D13/146; D13/147**

[58] **Field of Search** **D13/133, 146, D13/147; 439/540.1, 541.5, 607, 638**

[56] **References Cited**

U.S. PATENT DOCUMENTS

D. 378,510	3/1997	Tan et al.	D13/147
D. 407,070	3/1999	Chang	D13/147
D. 409,983	5/1999	Wu	D13/147
5,637,015	6/1997	Tan et al.	439/607

5,797,770	8/1998	Davis et al.	439/607
5,885,100	3/1999	Talend et al.	439/607 X
5,924,890	7/1999	Morin et al.	439/607 X
5,934,940	8/1999	Maranto et al.	439/607

Primary Examiner—Joel Sincavage
Attorney, Agent, or Firm—Rosenberg, Klein & Lee

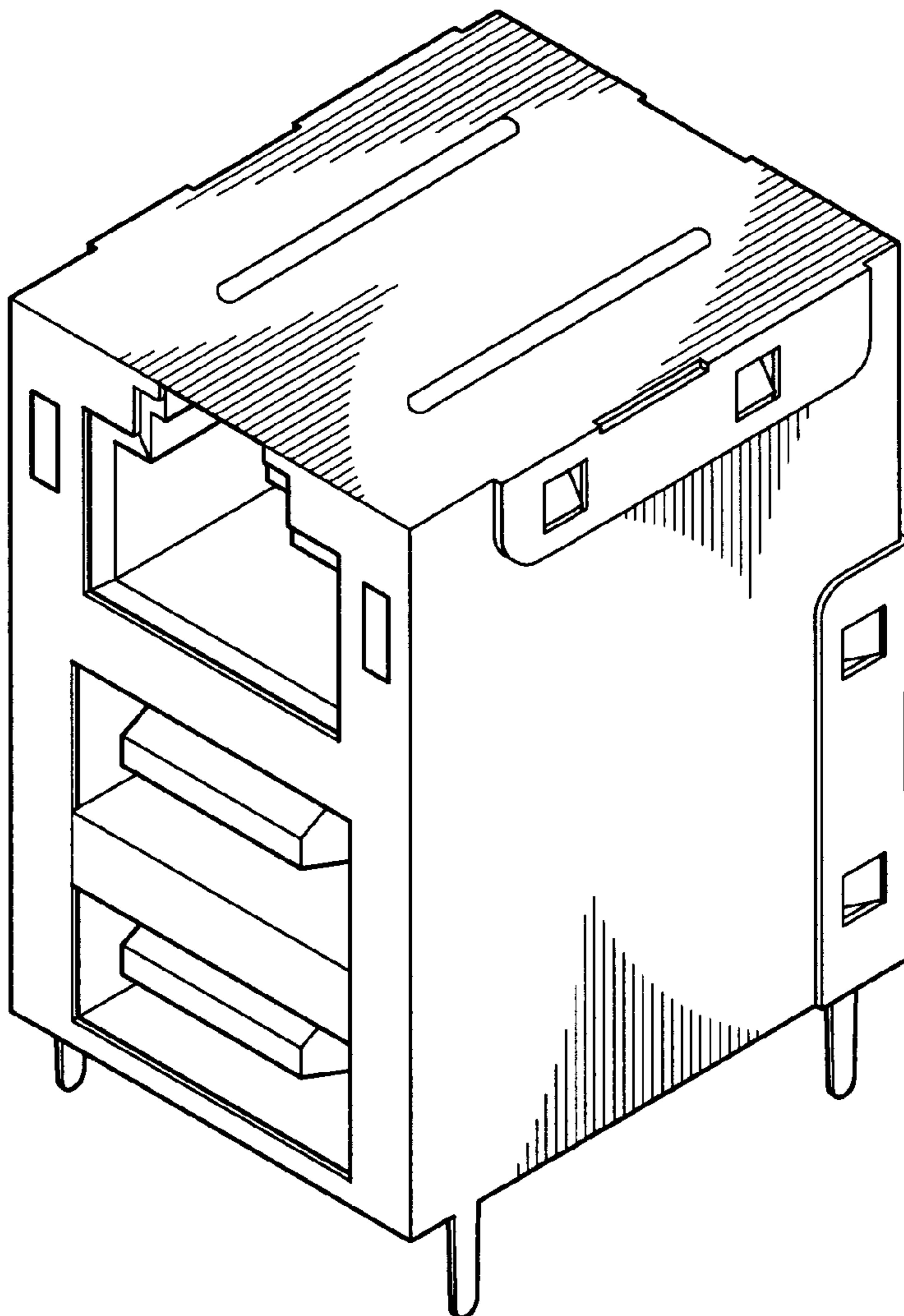
[57] **CLAIM**

The ornamental design for a “electric connector”, as shown and described.

DESCRIPTION

FIG. 1 is the perspective view of “electric connector”0 showing my new design;
FIG. 2 is the front view thereof;
FIG. 3 is the rear view thereof;
FIG. 4 is the left side view thereof;
FIG. 5 is the right side view thereof;
FIG. 6 is the top view thereof; and,
FIG. 7 is the bottom view thereof.

1 Claim, 4 Drawing Sheets



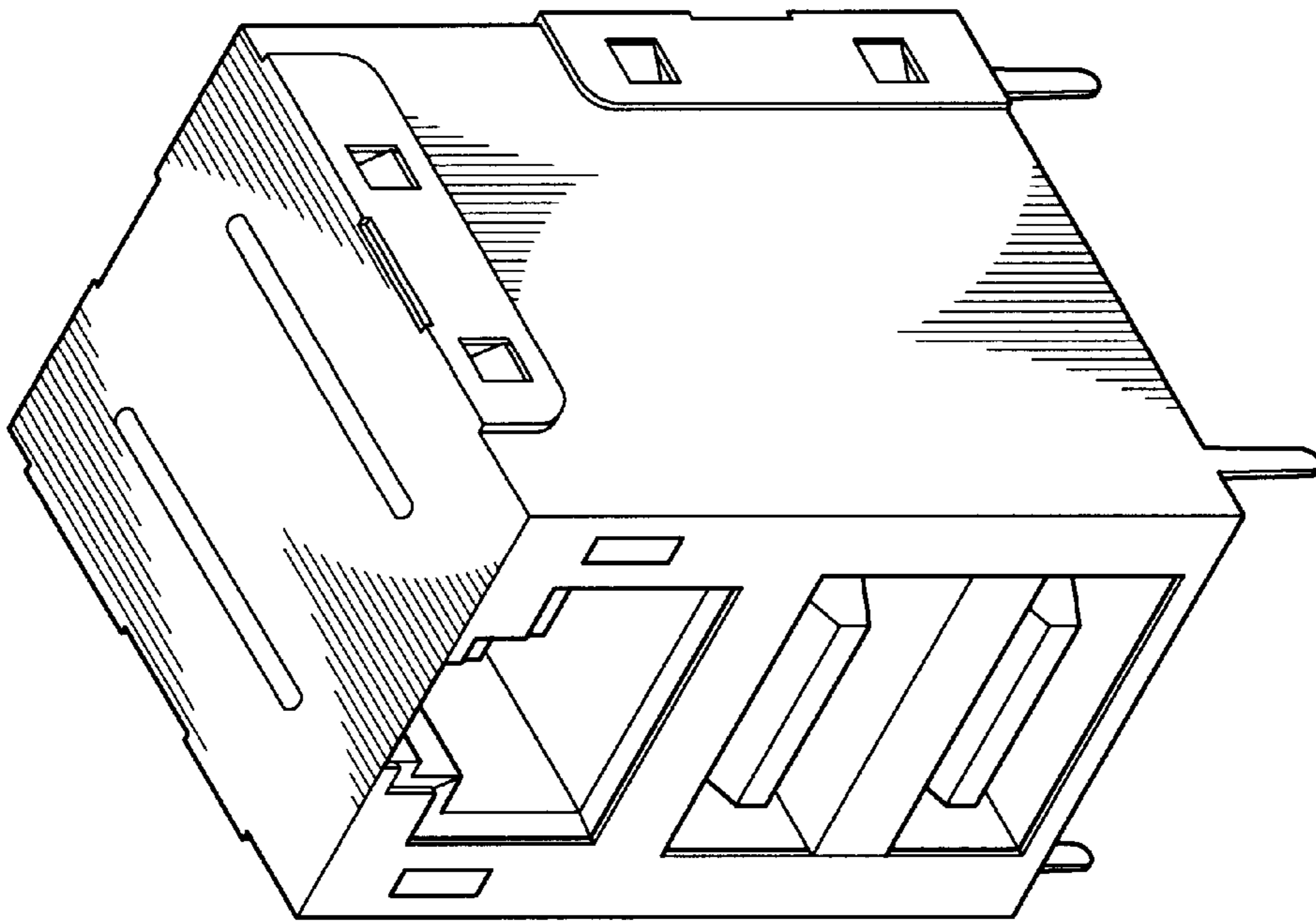


FIG. 1

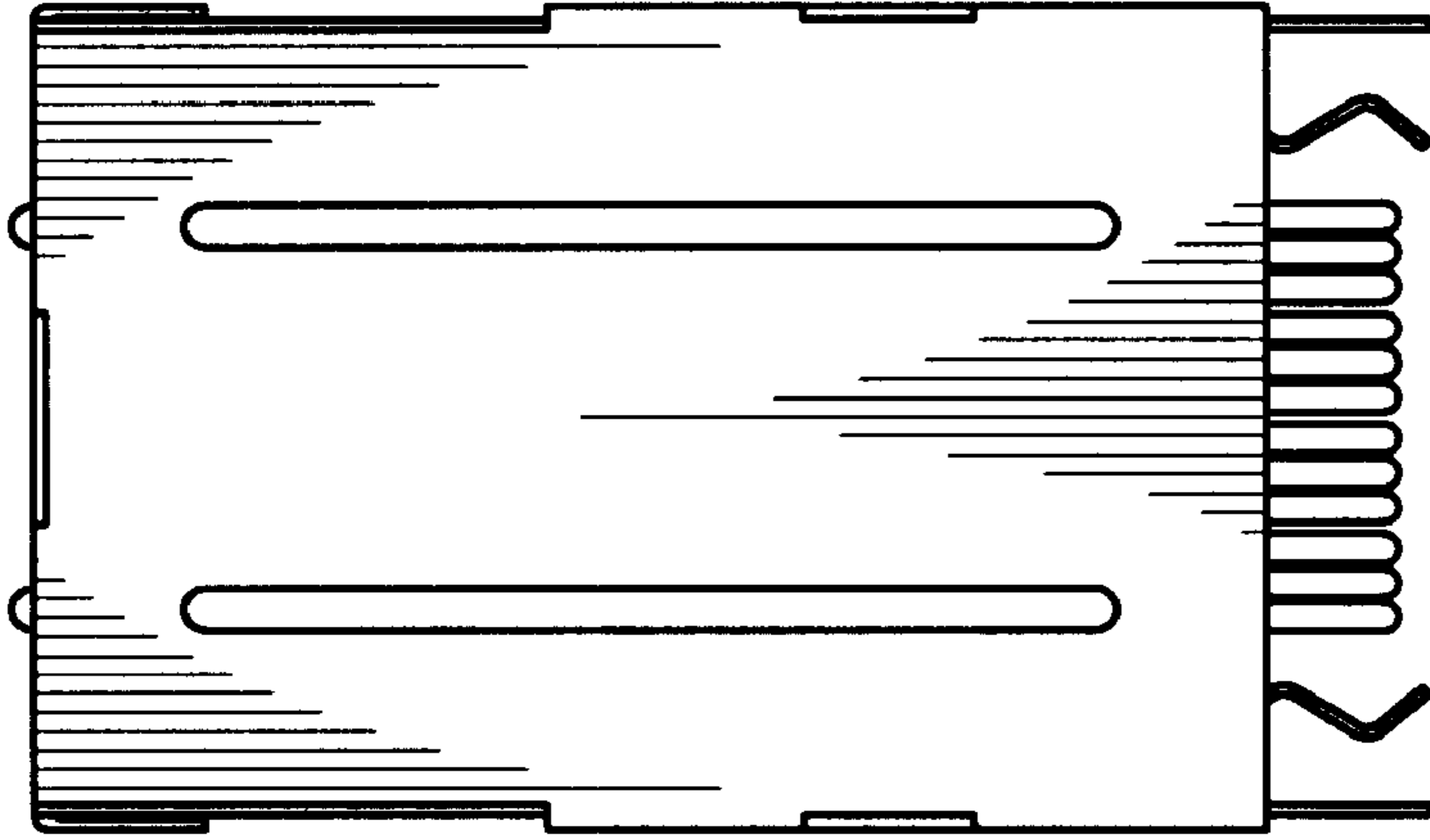


FIG. 3

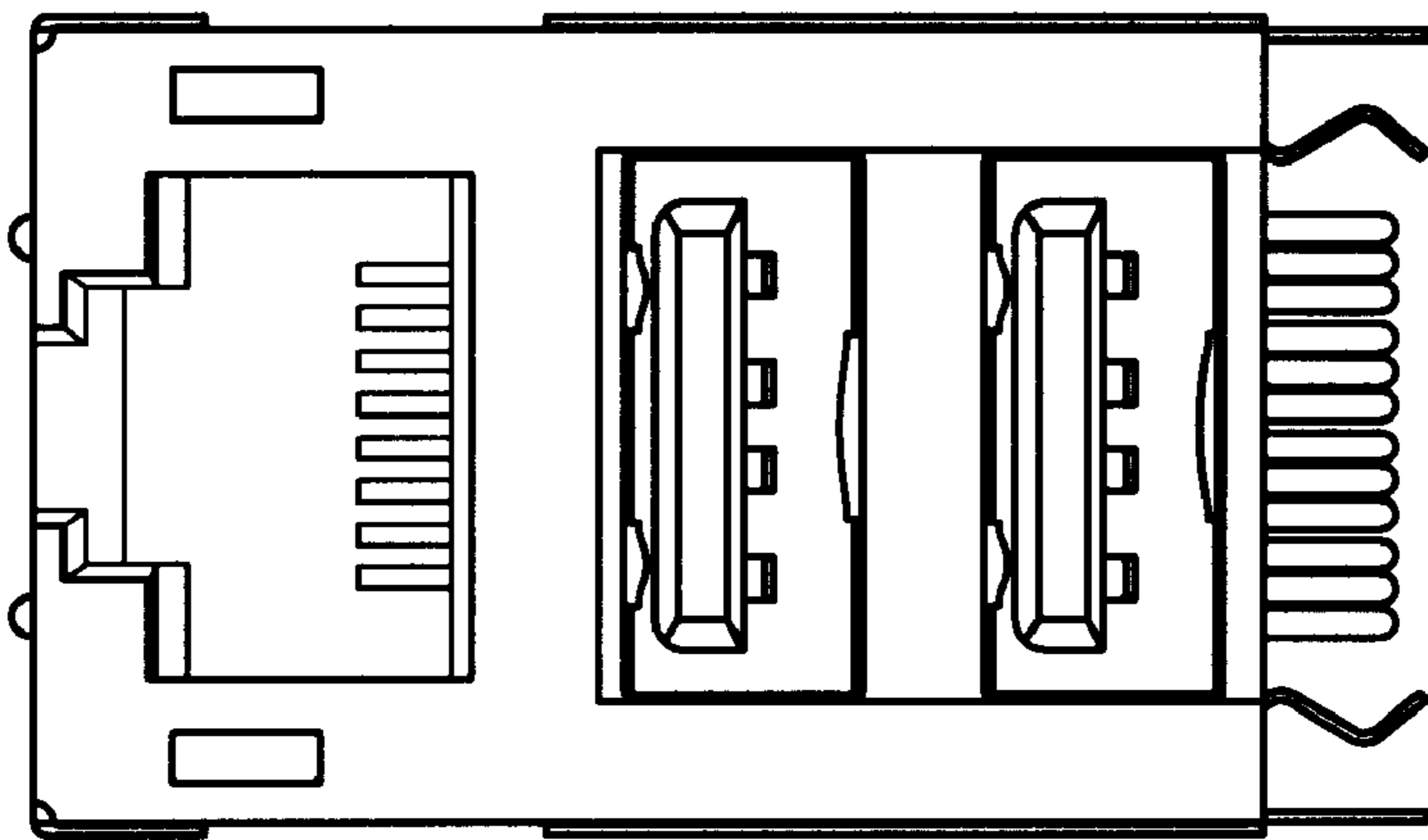


FIG. 2

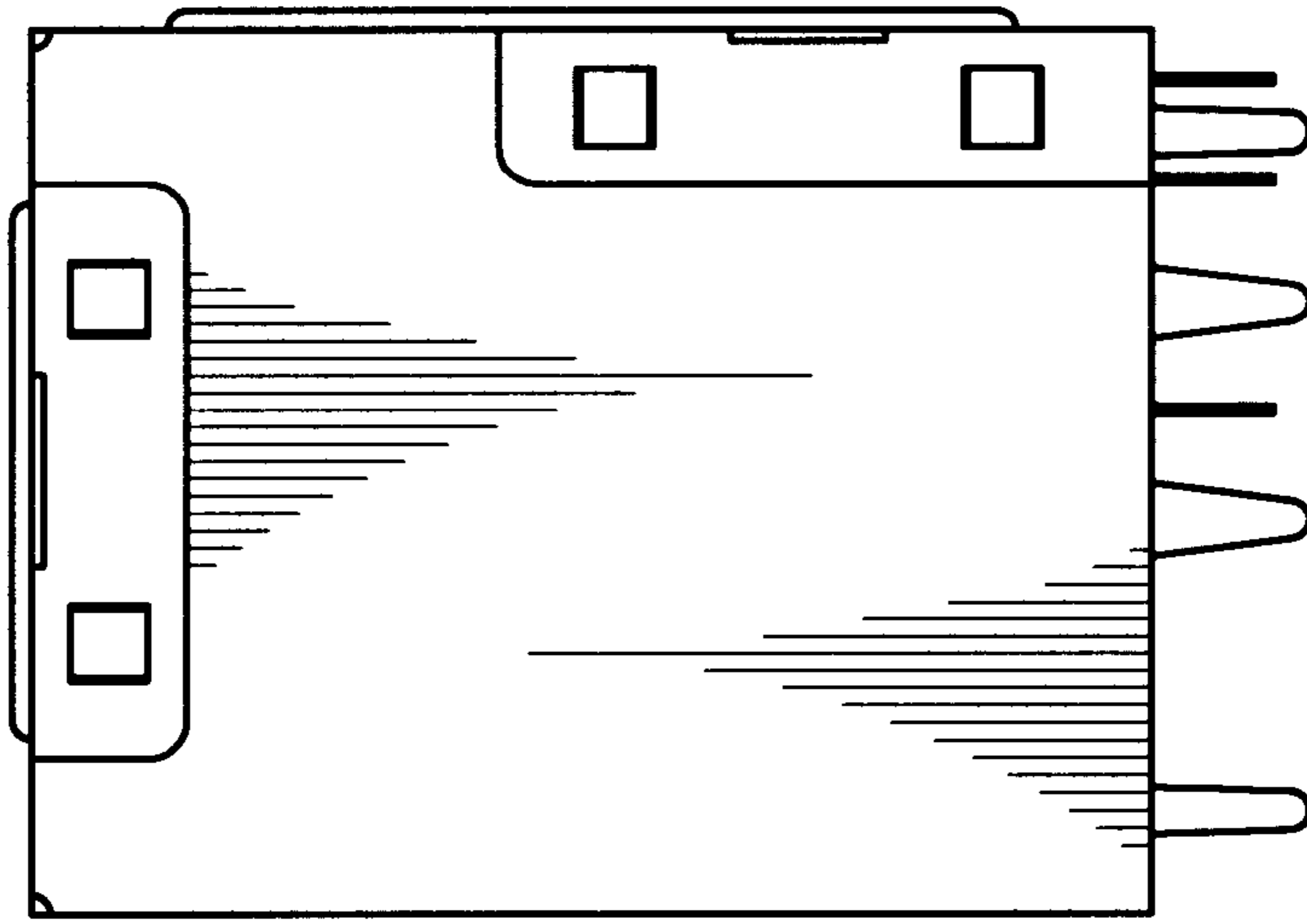


FIG. 4

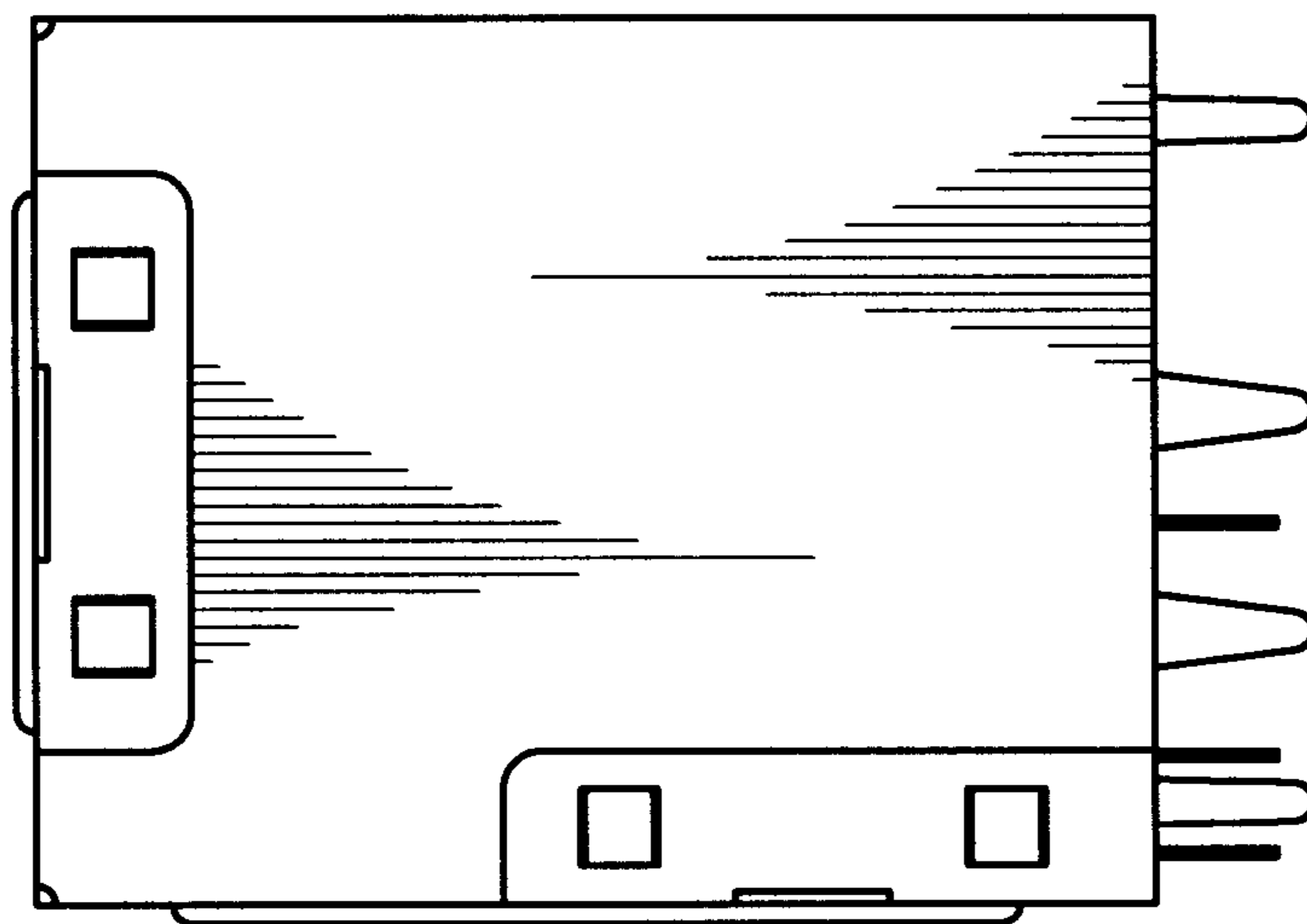


FIG. 5

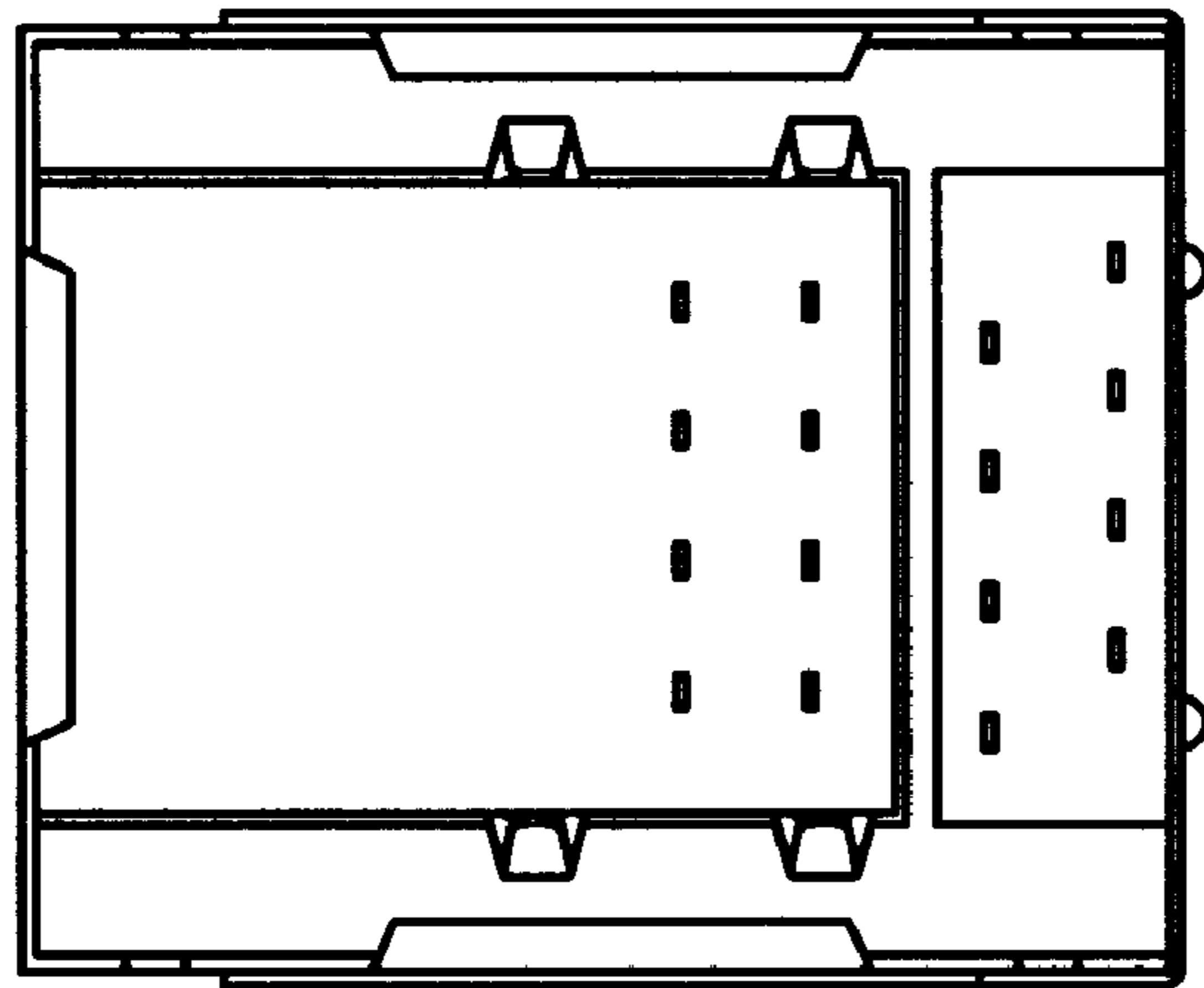


FIG. 7

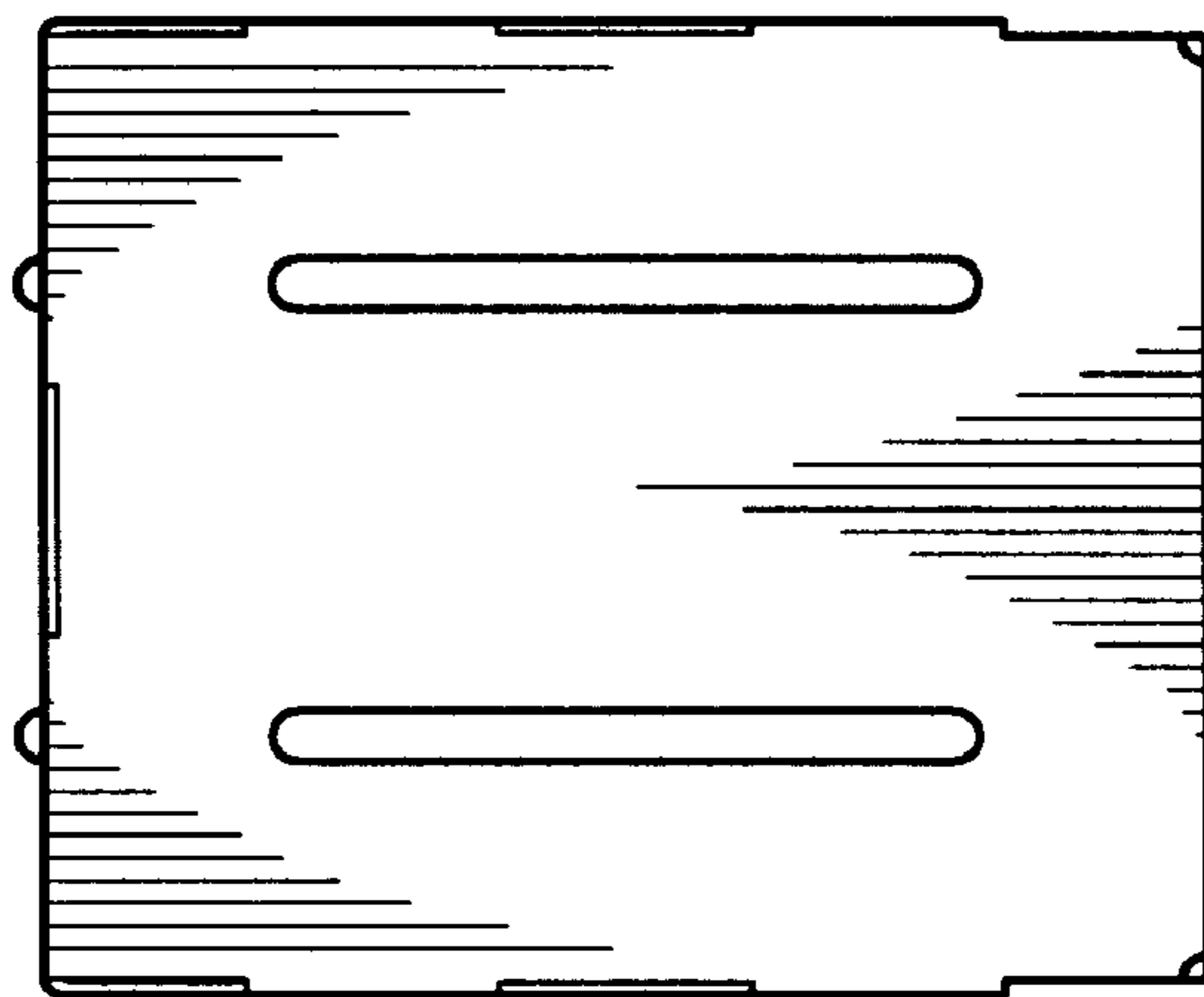


FIG. 6