



US00D419133S

United States Patent [19]

Yoshida et al.

[11] Patent Number: **Des. 419,133**

[45] Date of Patent: **** Jan. 18, 2000**

[54] **CONNECTOR FOR A BATTERY**

5,885,090 3/1999 Comstock et al. 439/65
5,904,597 5/1999 Doi et al. 439/660

[75] Inventors: **Tooru Yoshida; Iwao Ishibashi**, both of Kanagawa, Japan

Primary Examiner—Joel Sincavage
Attorney, Agent, or Firm—Armstrong, Westerman, Hattori, McLeland & Naughton

[73] Assignee: **SMK Co., Ltd.**, Tokyo, Japan

[**] Term: **14 Years**

[57] **CLAIM**

[21] Appl. No.: **29/095,184**

The ornamental design for a connector for a battery, as shown and described.

[22] Filed: **Oct. 19, 1998**

DESCRIPTION

[30] **Foreign Application Priority Data**

Jun. 9, 1998 [JP] Japan 10-16471

FIG. 1 is a perspective view taken from the top right hand end of FIG. 3 of a connector for a battery showing my new ornamental design;

[51] **LOC (7) Cl.** **13-03**

FIG. 2 is a perspective view taken from the bottom left hand end of FIG. 3 of a connector for a battery showing my new ornamental design;

[52] **U.S. Cl.** **D13/120; D13/133**

[58] **Field of Search** D13/120, 133;
439/862, 660, 83, 65, 295, 441

FIG. 3 is a front elevational view thereof;

FIG. 4 is a rear elevational view thereof;

FIG. 5 is a top view thereof;

FIG. 6 is a bottom view thereof; and,

FIG. 7 is a right side view thereof, the left side view being a mirror image thereof.

[56] **References Cited**

U.S. PATENT DOCUMENTS

4,335,931 6/1982 Kinnear 439/295
5,338,230 8/1994 Bryce et al. 439/862 X
5,746,626 5/1998 Kwiat et al. 439/630
5,876,237 3/1999 Patel et al. 439/441

1 Claim, 2 Drawing Sheets

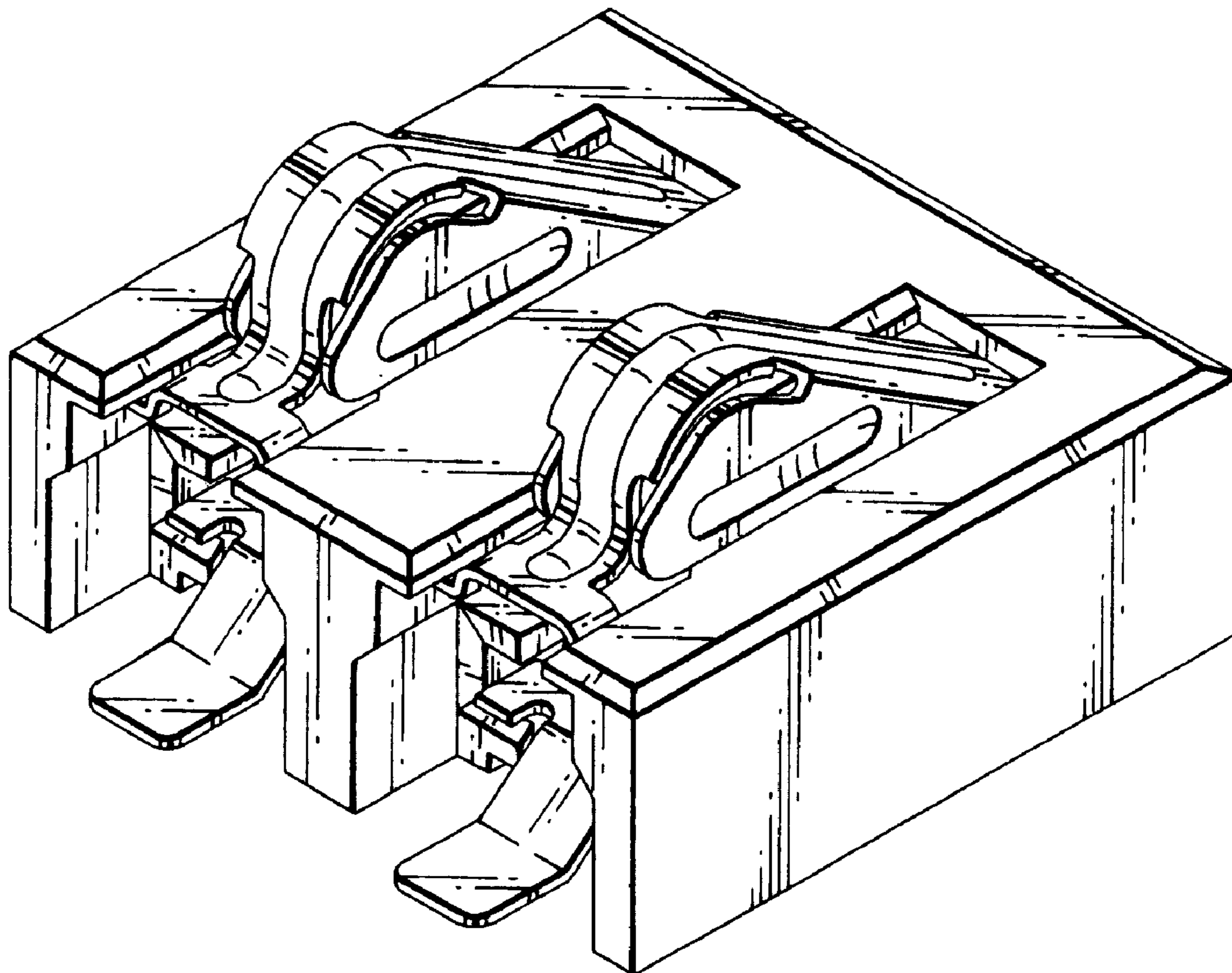


FIG. 1

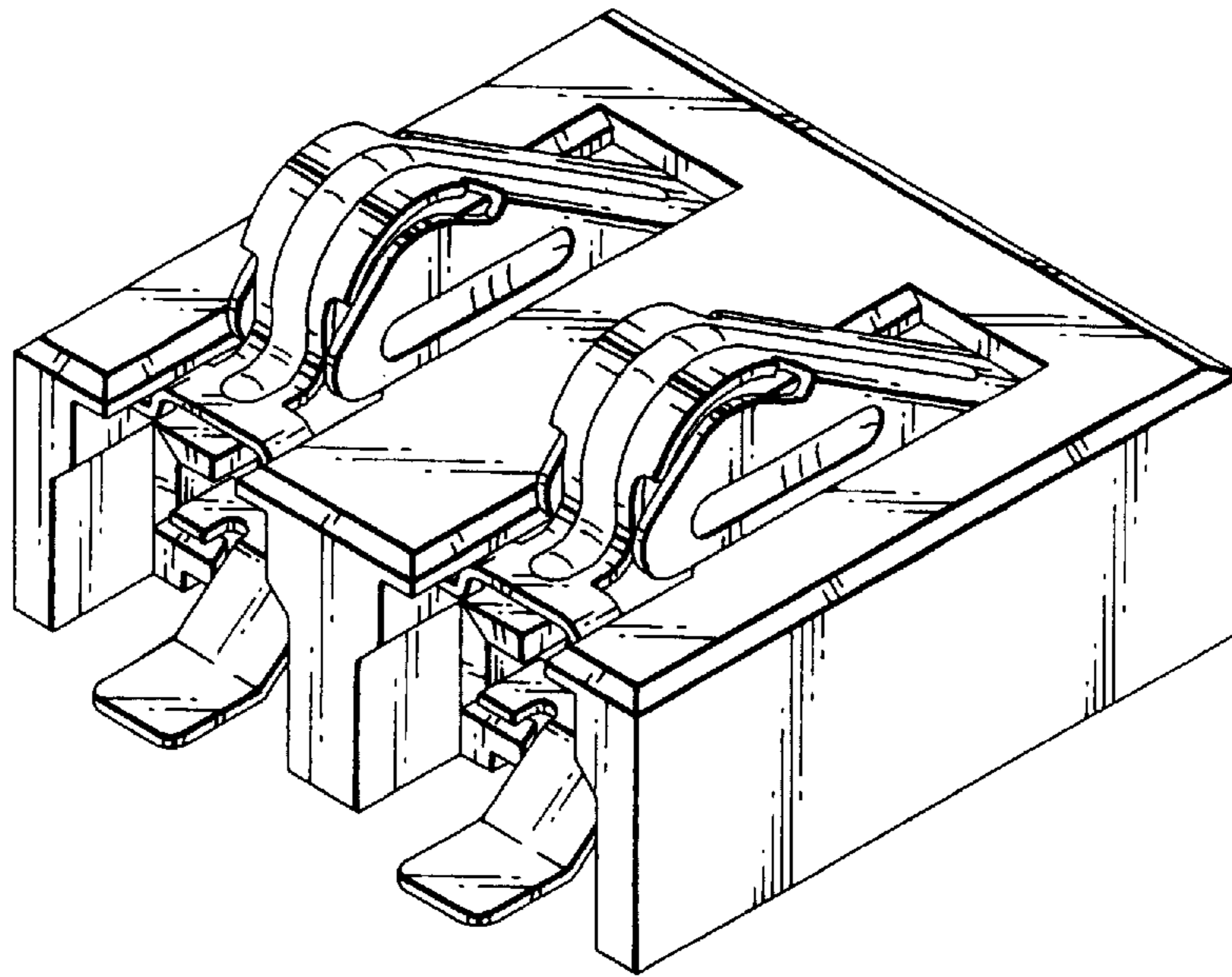


FIG. 2

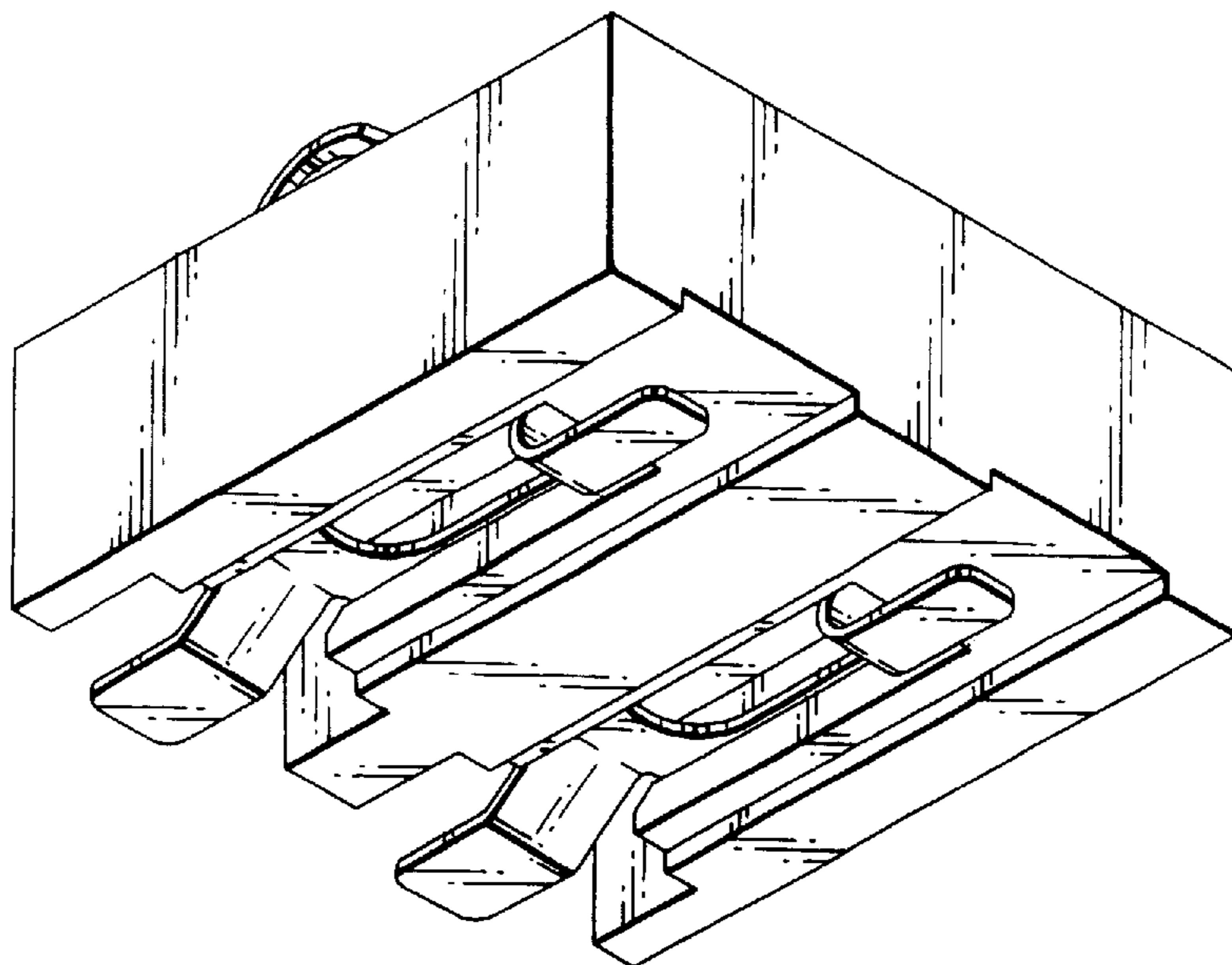


FIG. 3

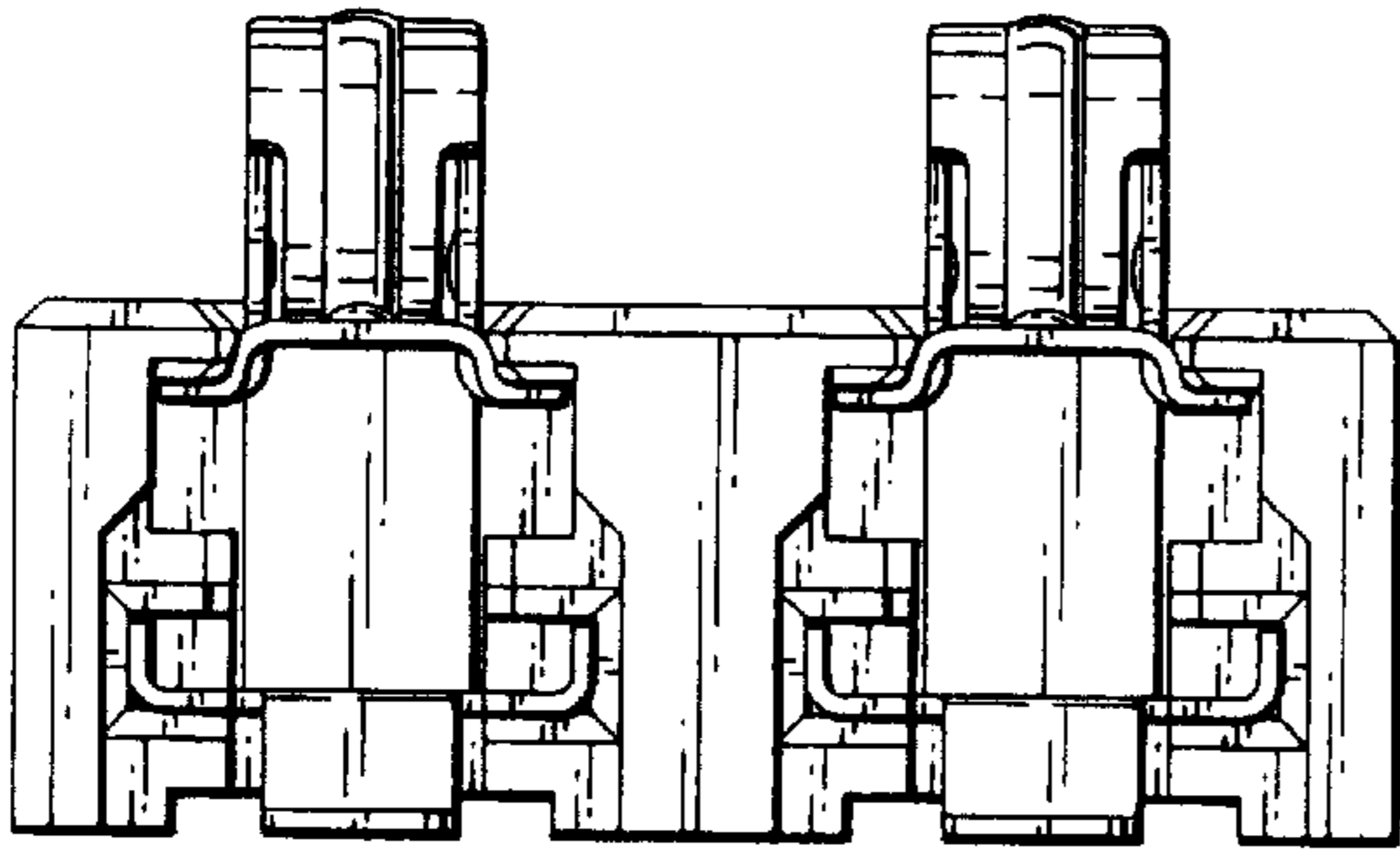


FIG. 4

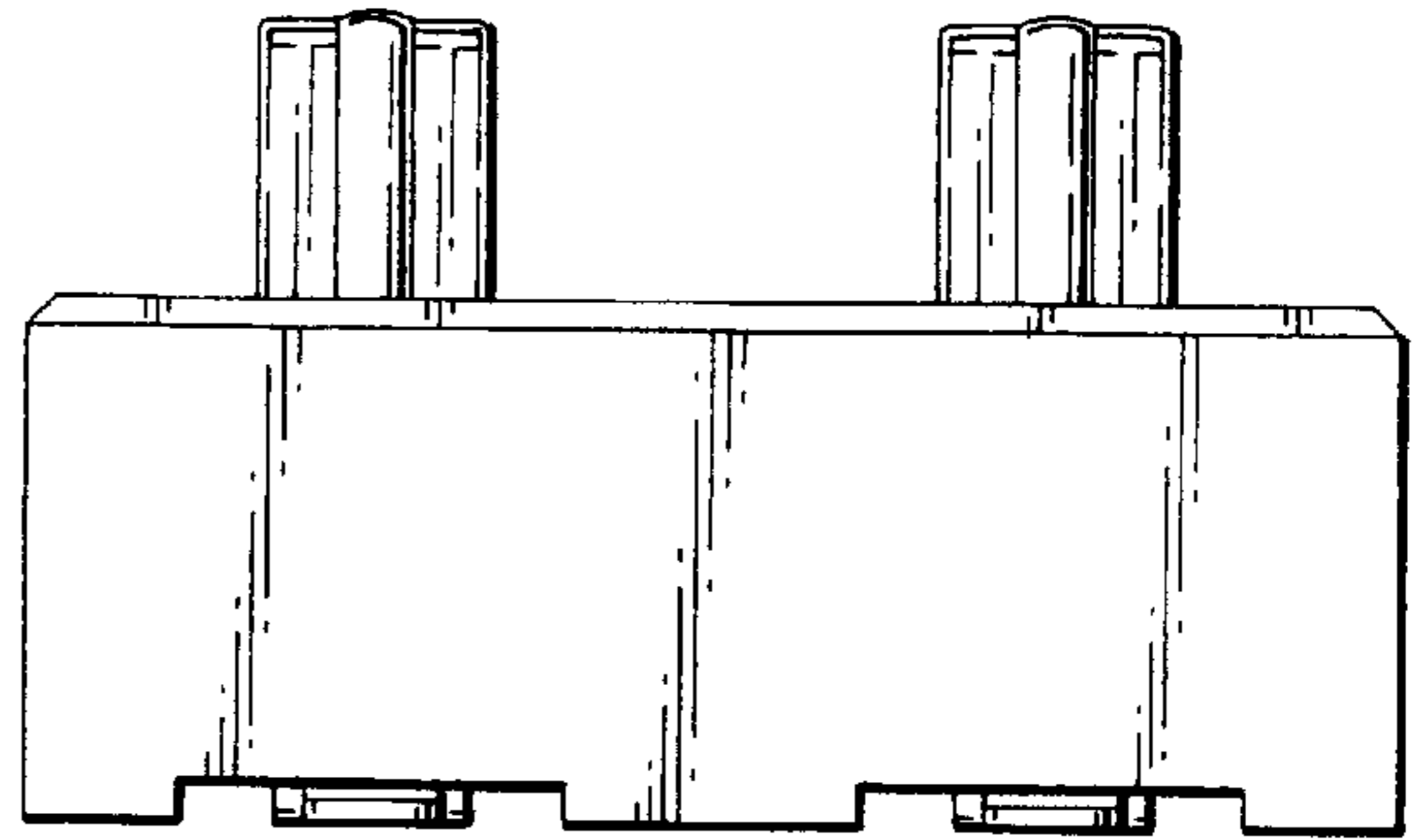


FIG. 5

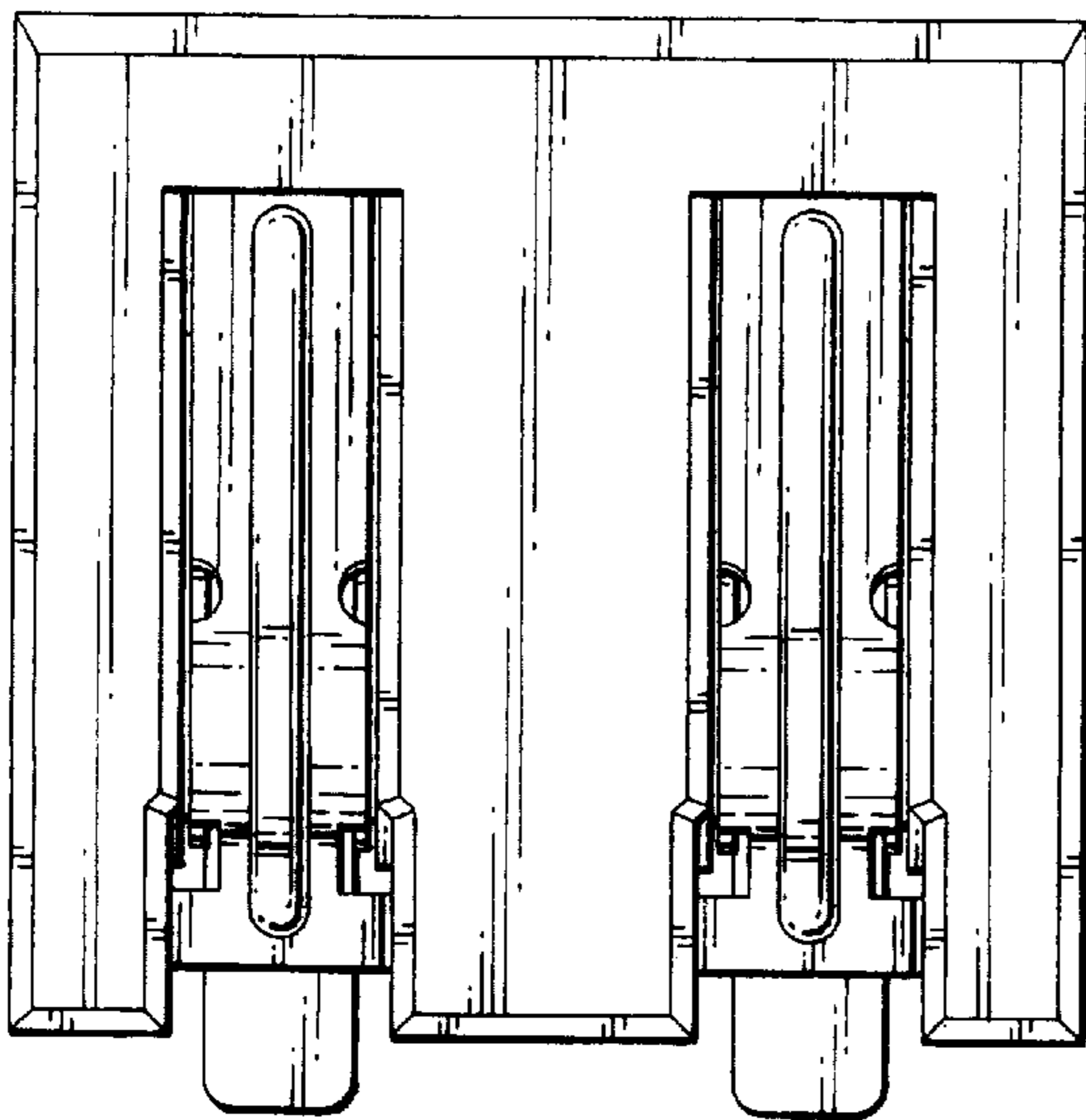


FIG. 6

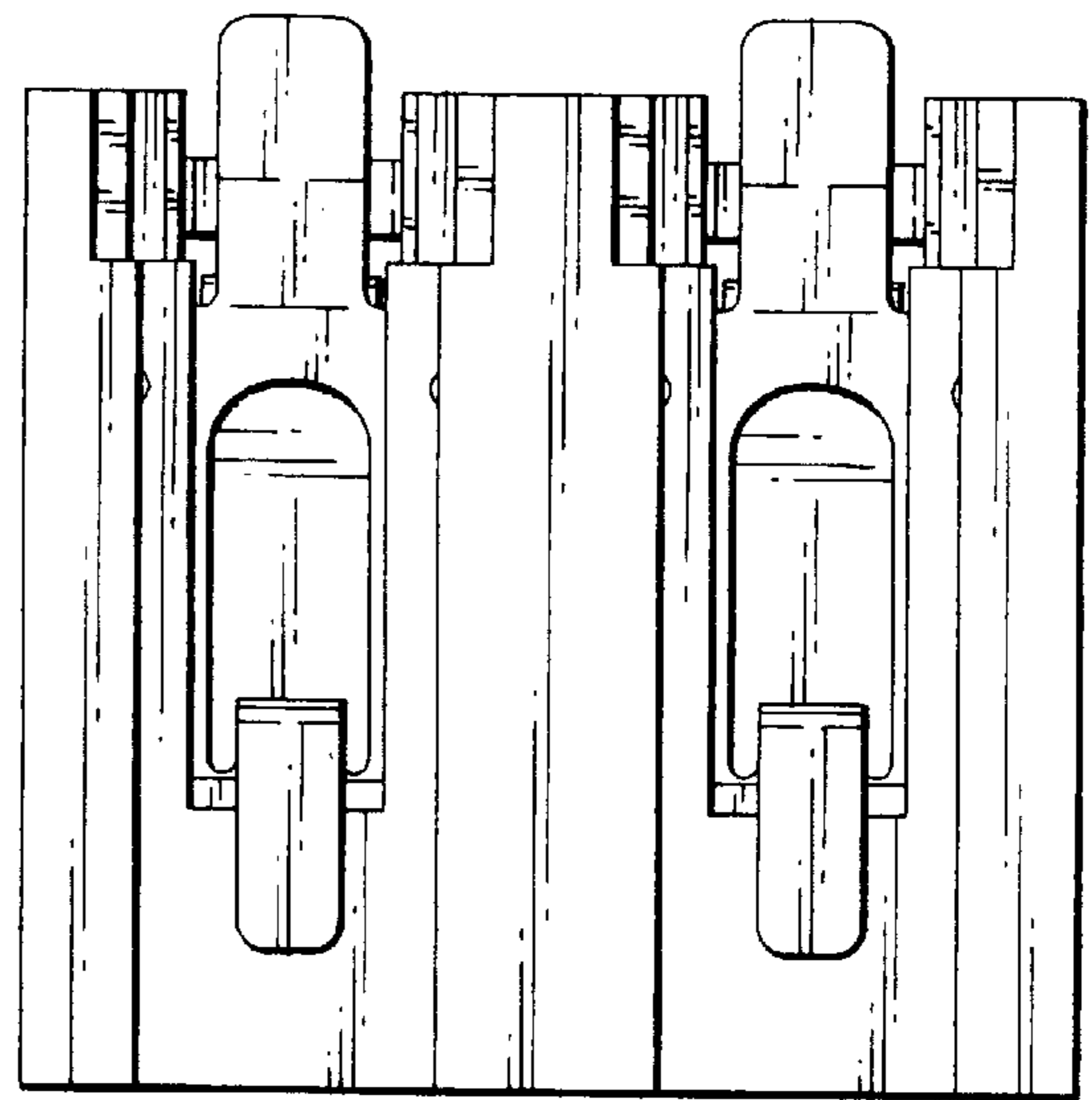


FIG. 7

