



US00D419129S

United States Patent [19]

[11] **Patent Number: Des. 419,129**

Kilderry et al.

[45] **Date of Patent: ** Jan. 18, 2000**

[54] **VEHICLE BEVERAGE HOLDER**

Primary Examiner—Melody N. Brown

[76] Inventors: **Michael J Kilderry; Rose R Kilderry; Shirley McKinzie**, all of 727 S. 77th Ter., Kansas City, Kans. 66111

[57] **CLAIM**

The ornamental design for a vehicle beverage holder, as shown and described.

[**] Term: **14 Years**

DESCRIPTION

[21] Appl. No.: **29/093,391**

FIG. 1 is a front elevational view of the vehicle beverage holder of the present invention;

[22] Filed: **Sep. 10, 1998**

FIG. 2 is a back elevational view of the vehicle beverage holder of FIG. 1;

[51] **LOC (7) Cl.** **12-16**

FIG. 3 is a top plan elevational view of the vehicle beverage holder of FIG. 1;

[52] **U.S. Cl.** **D12/411**

[58] **Field of Search** D12/411, 419; D7/620, 619; 297/188.17; 248/102, 105, 311.2; 224/414, 446, 462, 441

FIG. 4 is a bottom plan view of the vehicle beverage holder of FIG. 1;

FIG. 5 is a right side elevational view of the vehicle beverage holder of FIG. 1; and,

[56] **References Cited**

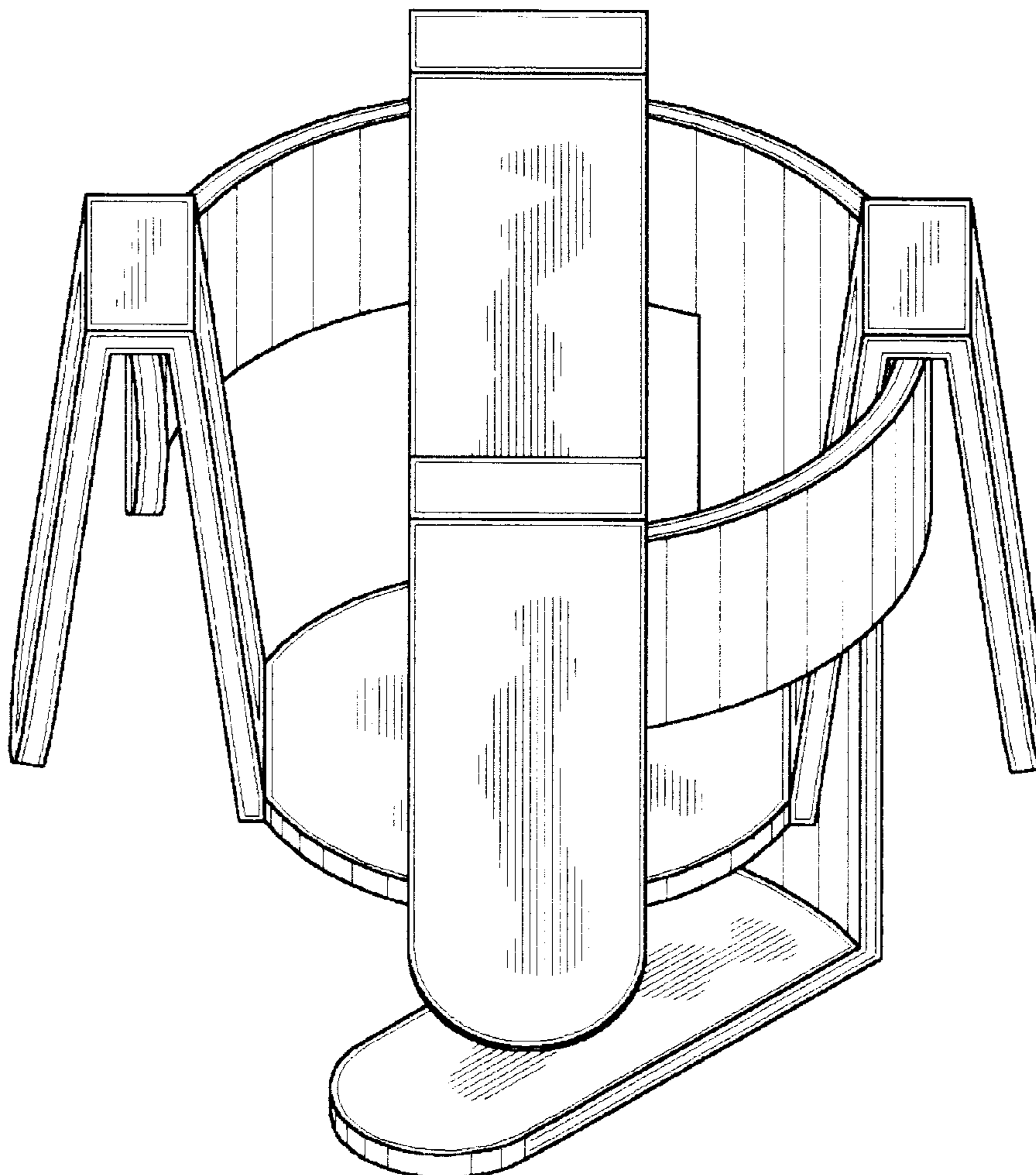
FIG. 6 is an assembled front, right, top perspective view of the vehicle beverage holder of FIG. 1.

U.S. PATENT DOCUMENTS

The left side view of the vehicle beverage holder is a mirror image of FIG. 5.

D. 346,996	5/1994	Blackburn	D12/411
D. 352,268	11/1994	Kavanaugh	D12/411
D. 358,303	5/1995	Guarrera et al.	D7/620
D. 367,254	2/1996	Lince	D12/411

1 Claim, 3 Drawing Sheets



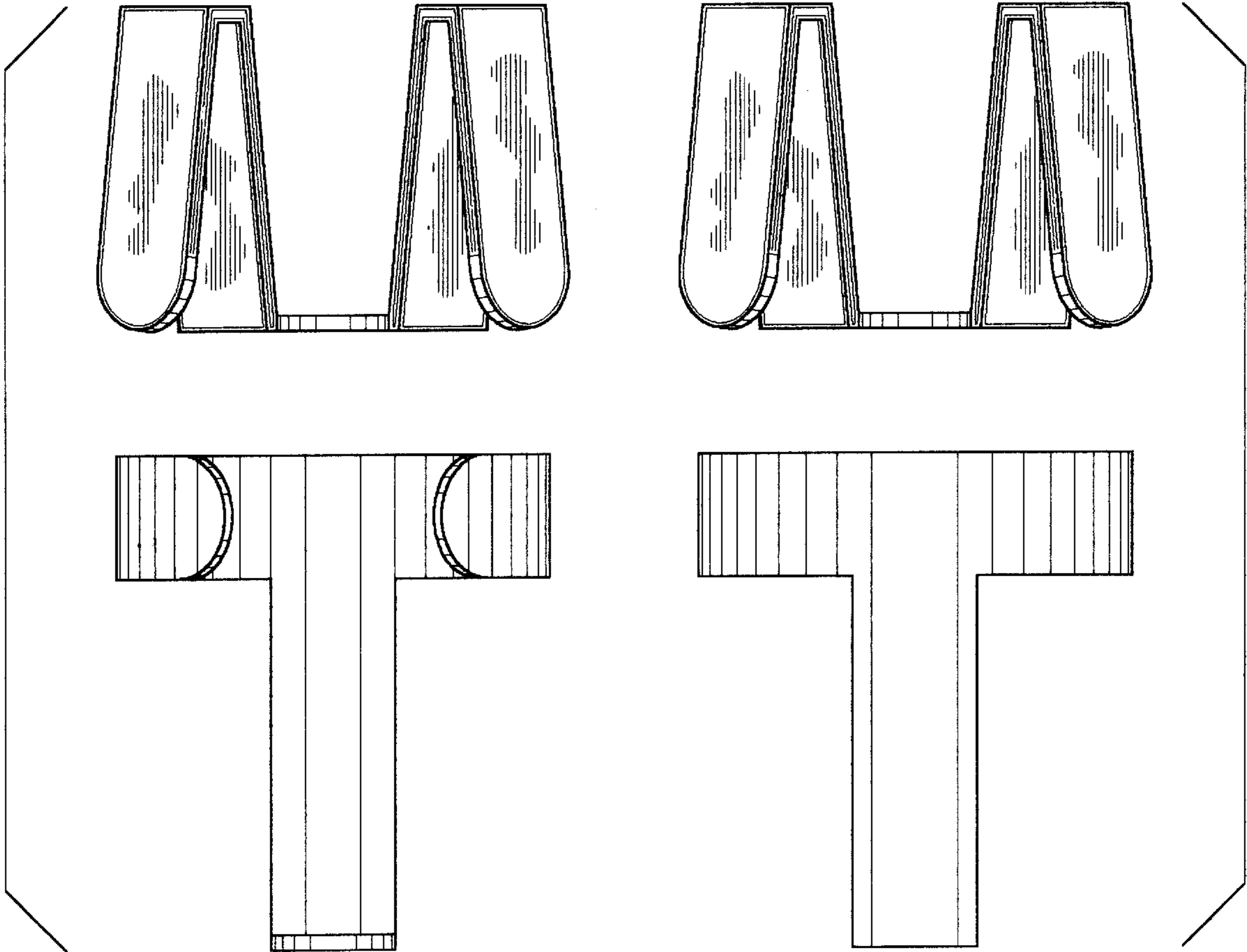


Fig. 1

Fig. 2

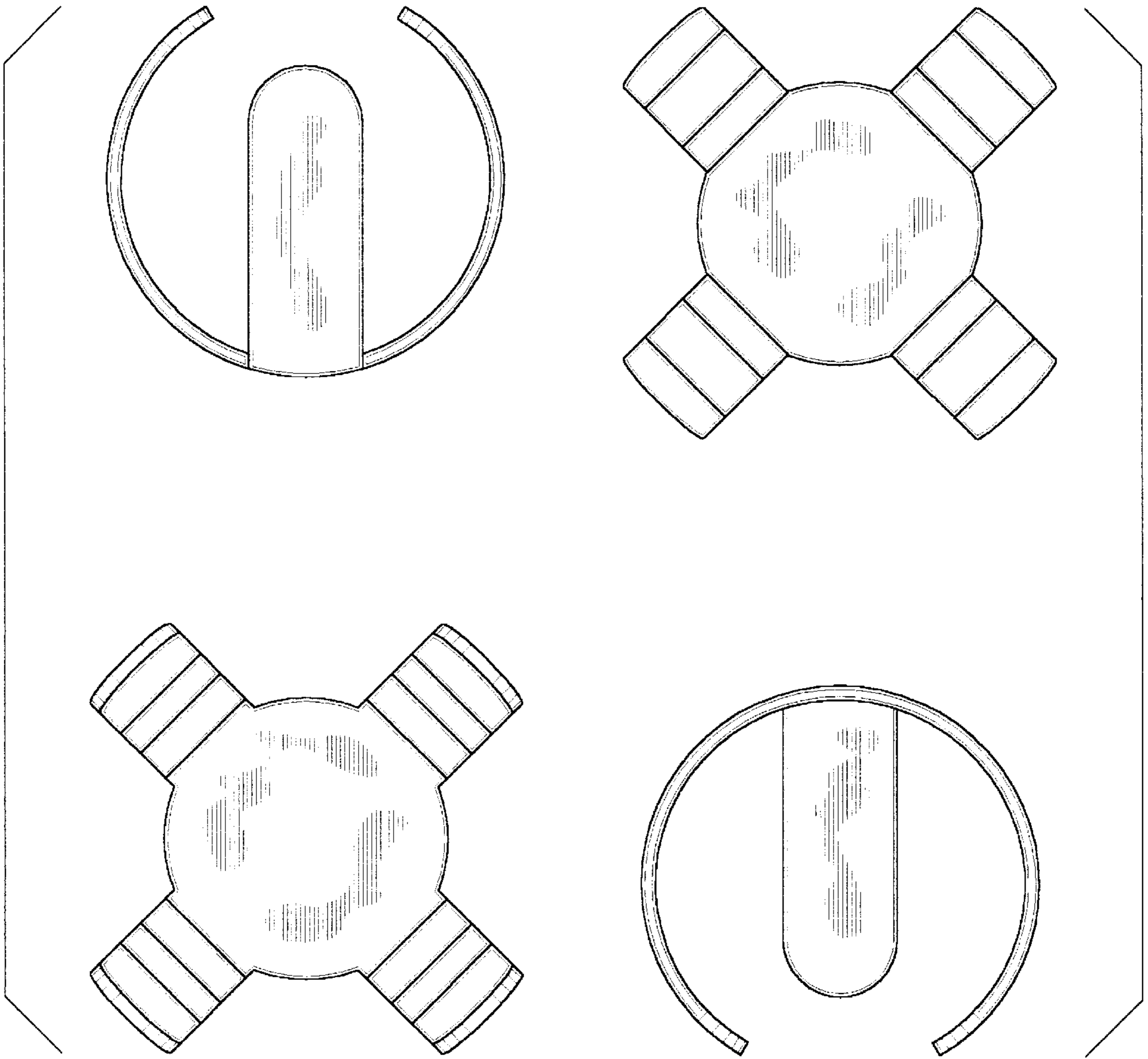


Fig. 3

Fig. 4

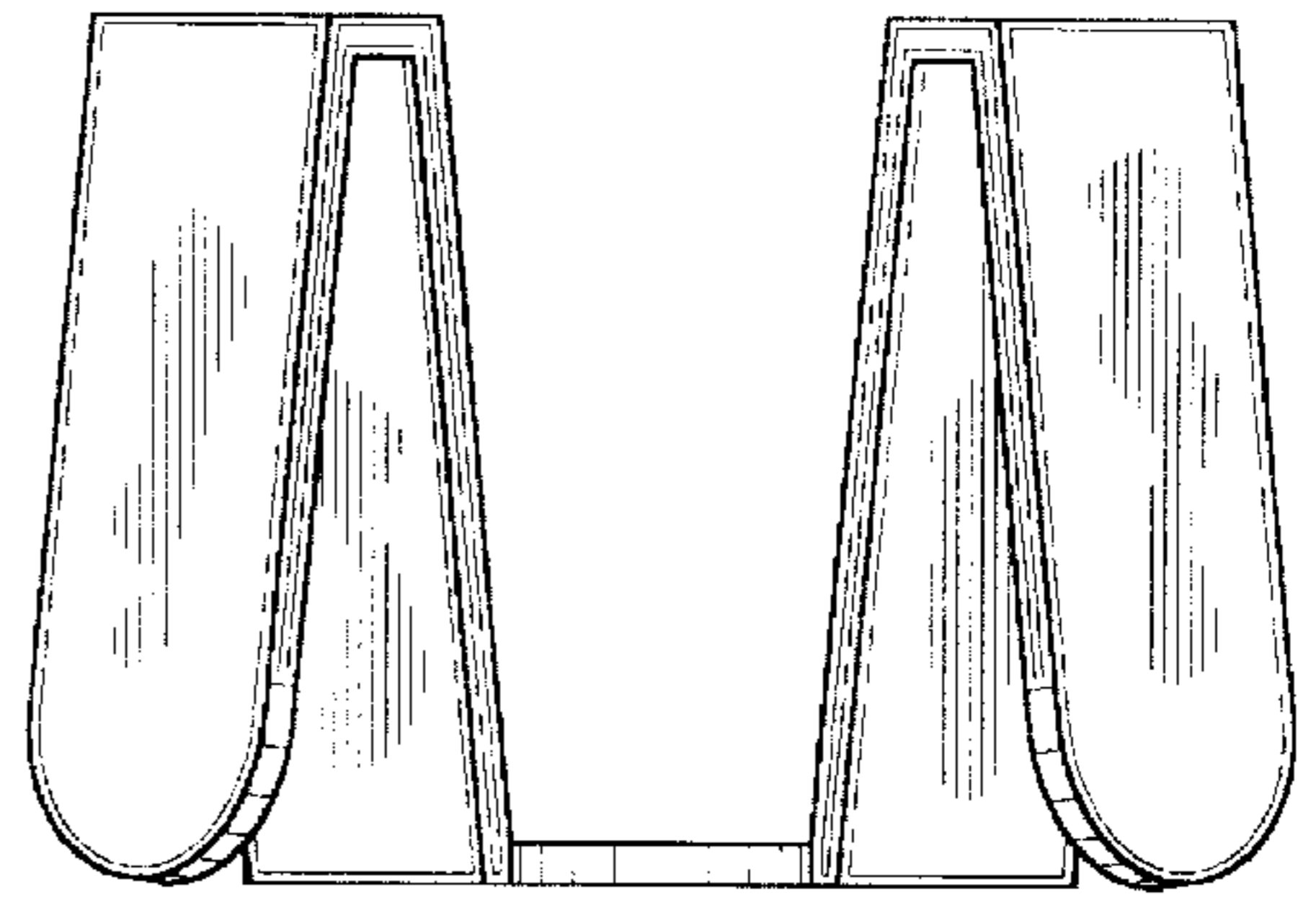
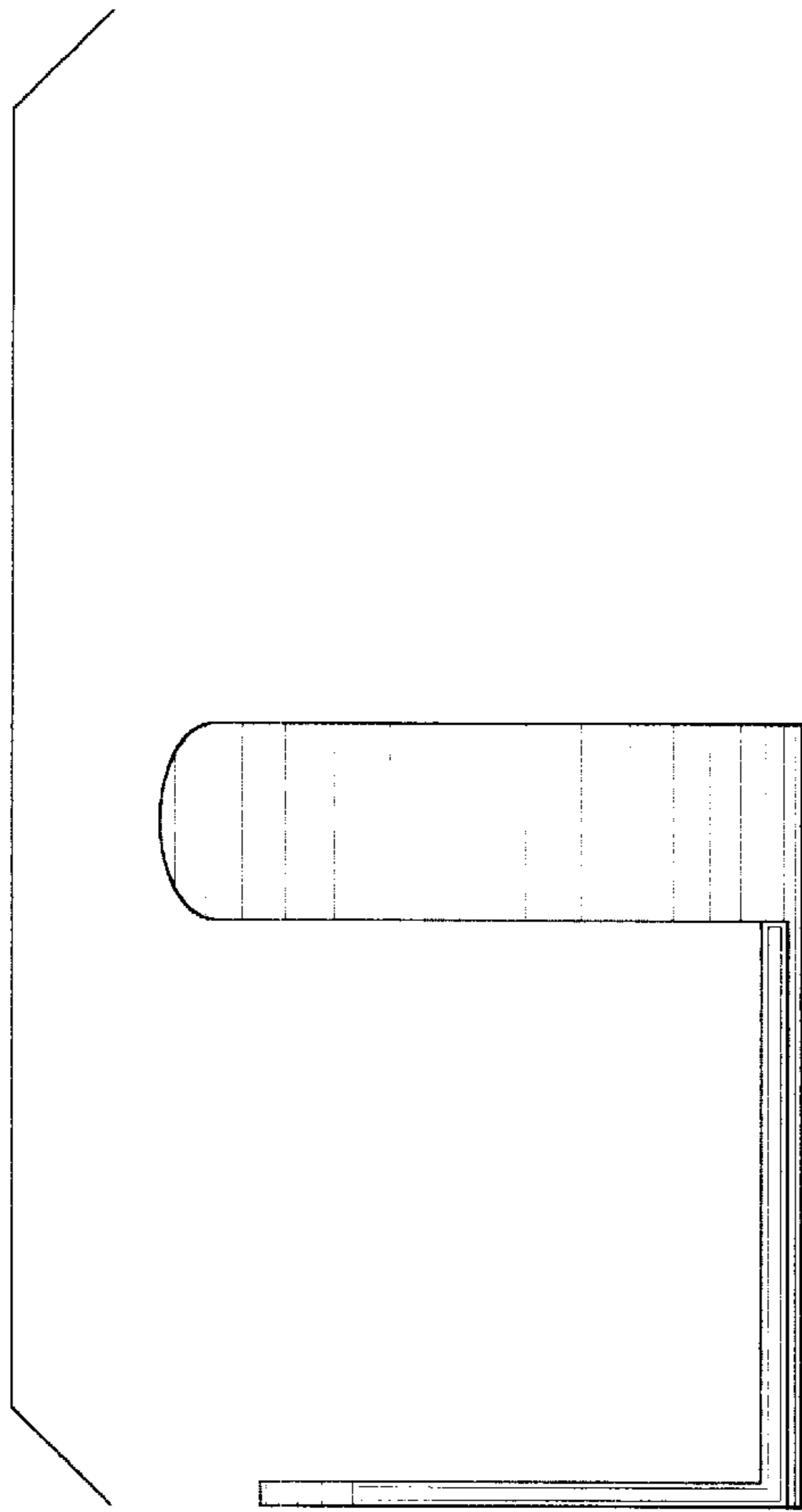


Fig. 5

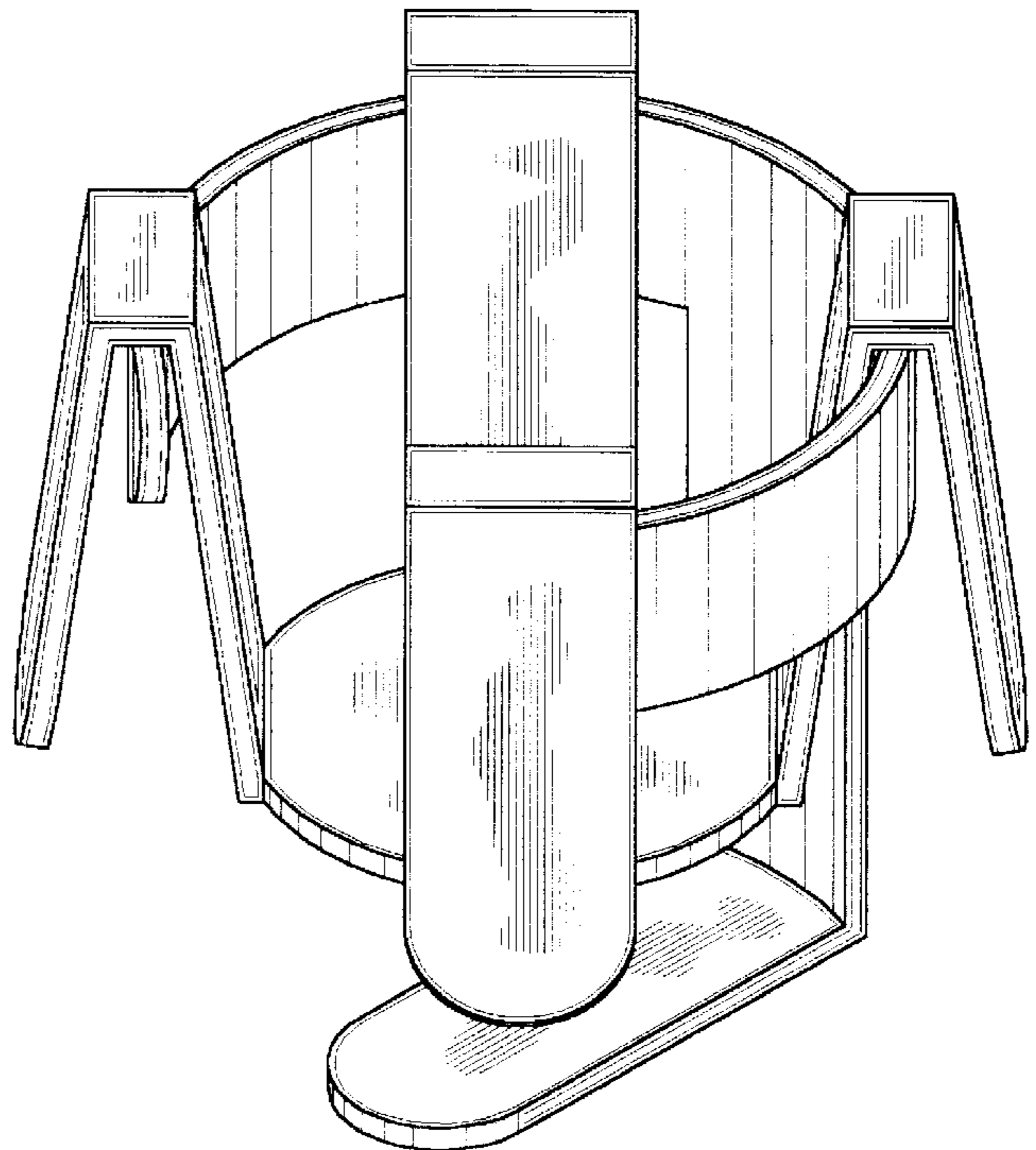


Fig. 6