



US00D419124S

United States Patent [19]

Sacco et al.

[11] Patent Number: Des. 419,124

[45] Date of Patent: ** Jan. 18, 2000

[54] SURFACE CONFIGURATION OF A SIDE DOOR PANEL FOR A VEHICLE

[75] Inventors: Bruno Sacco, Sindelfingen; Peter Pfeiffer, Boeblingen, both of Germany

[73] Assignee: DaimlerChrysler AG, Germany

[**] Term: 14 Years

[21] Appl. No.: 29/099,421

[22] Filed: Jan. 21, 1999

[30] Foreign Application Priority Data

Jul. 21, 1998 [DE] Germany 4 98 07 262

[51] LOC (7) Cl. 12-16

[52] U.S. Cl. D12/196

[58] Field of Search D12/196, 90-92, D12/86; 296/185

[56] References Cited

U.S. PATENT DOCUMENTS

- D. 309,287 7/1990 Envall et al. D12/196
- D. 312,804 12/1990 Okano D12/196

D. 387,025 12/1997 Layaoy et al. D12/196

Primary Examiner—Melody N. Brown
Attorney, Agent, or Firm—Evenson, McKeown, Edwards & Lenahan, P.L.L.C.

[57] CLAIM

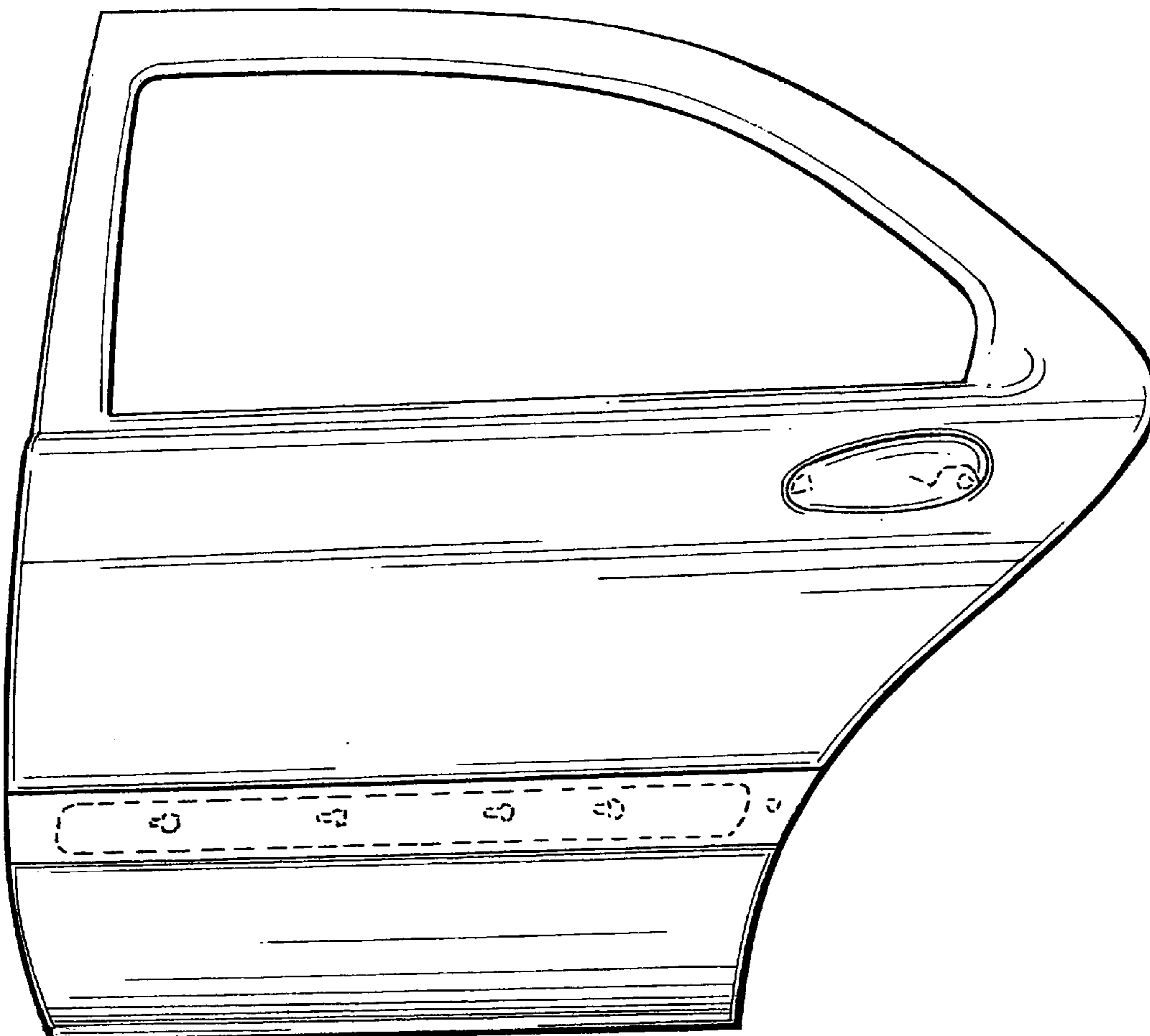
The ornamental design for a surface configuration of a side door panel for a vehicle, as shown and described.

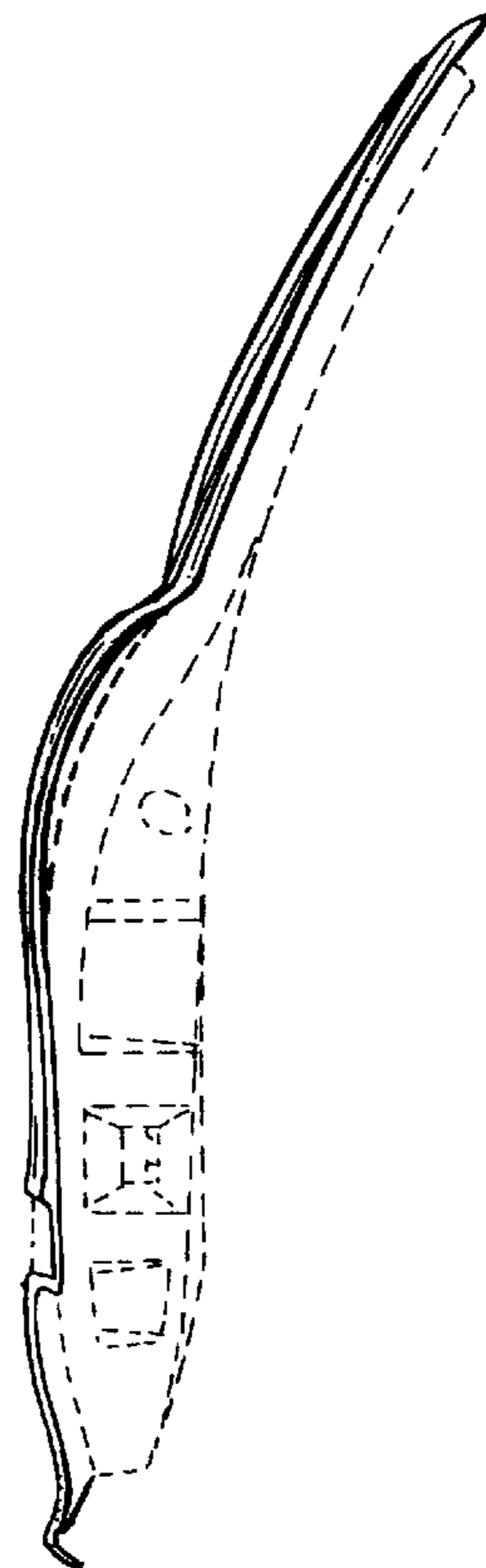
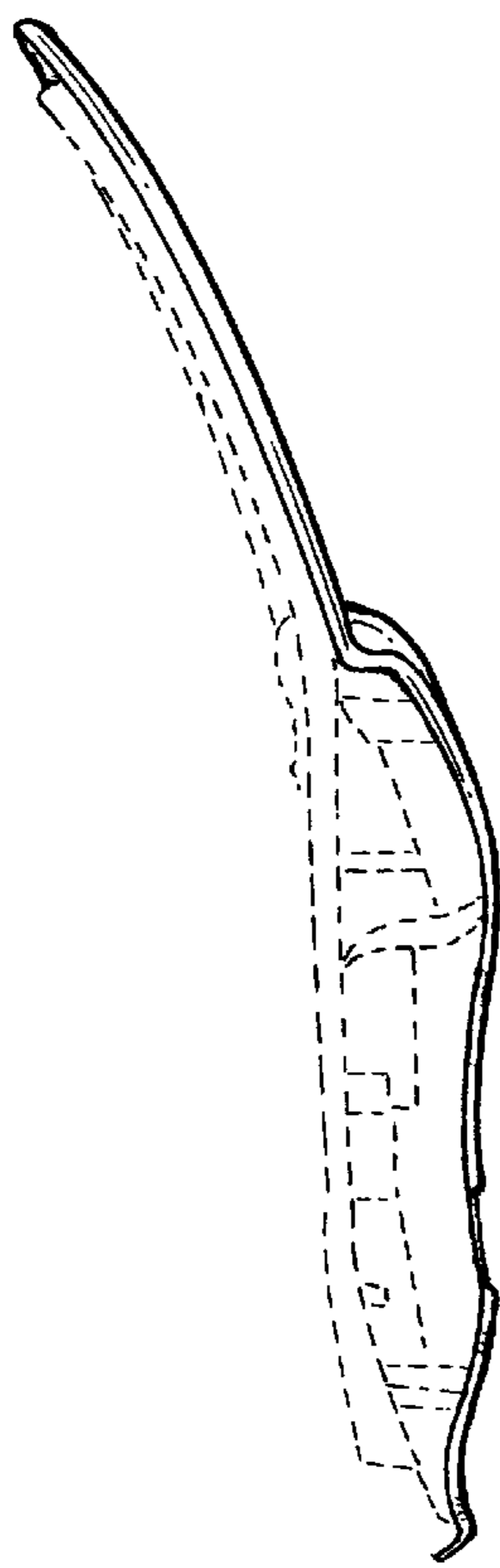
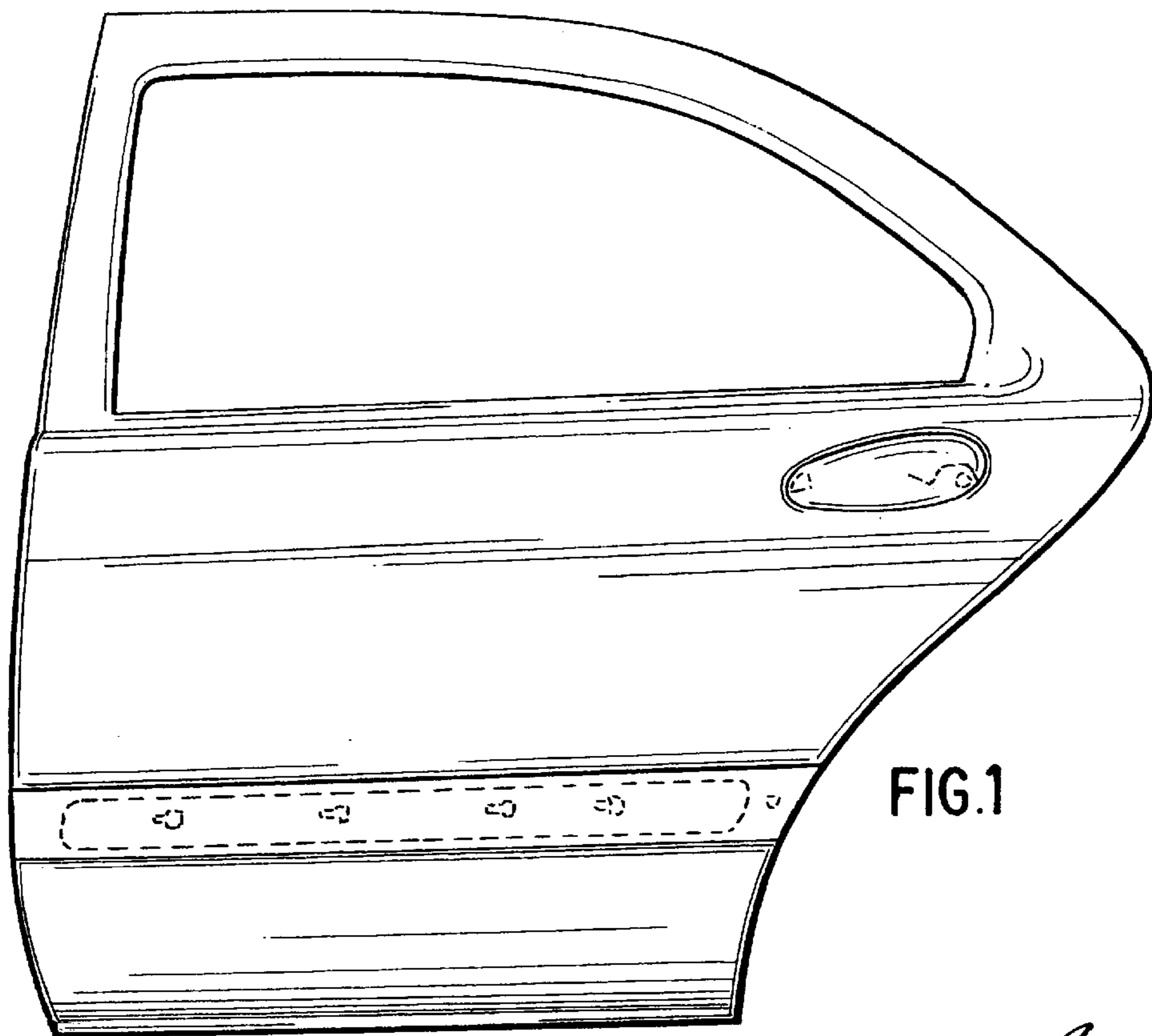
DESCRIPTION

FIG. 1 is a front view of a surface configuration of a side door panel for a vehicle according to our novel design; FIG. 2 is a right side view of a surface configuration of a side door panel for a vehicle according to our novel design; FIG. 3 is a left side view of a surface configuration of a side door panel for a vehicle according to our novel design; FIG. 4 is a top view of a surface configuration of a side door panel for a vehicle according to our novel design; and, FIG. 5 is a perspective view from the front right of a surface configuration of a side door panel for a vehicle according to our novel design.

The broken line included depicts environment and is not part of the claimed design.

1 Claim, 2 Drawing Sheets





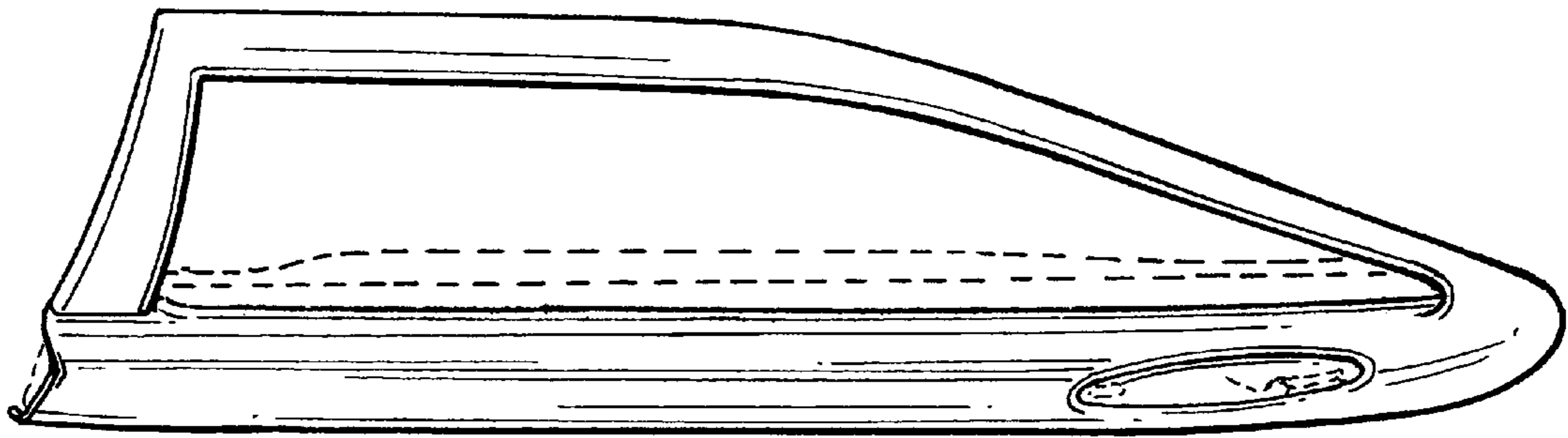


FIG. 4

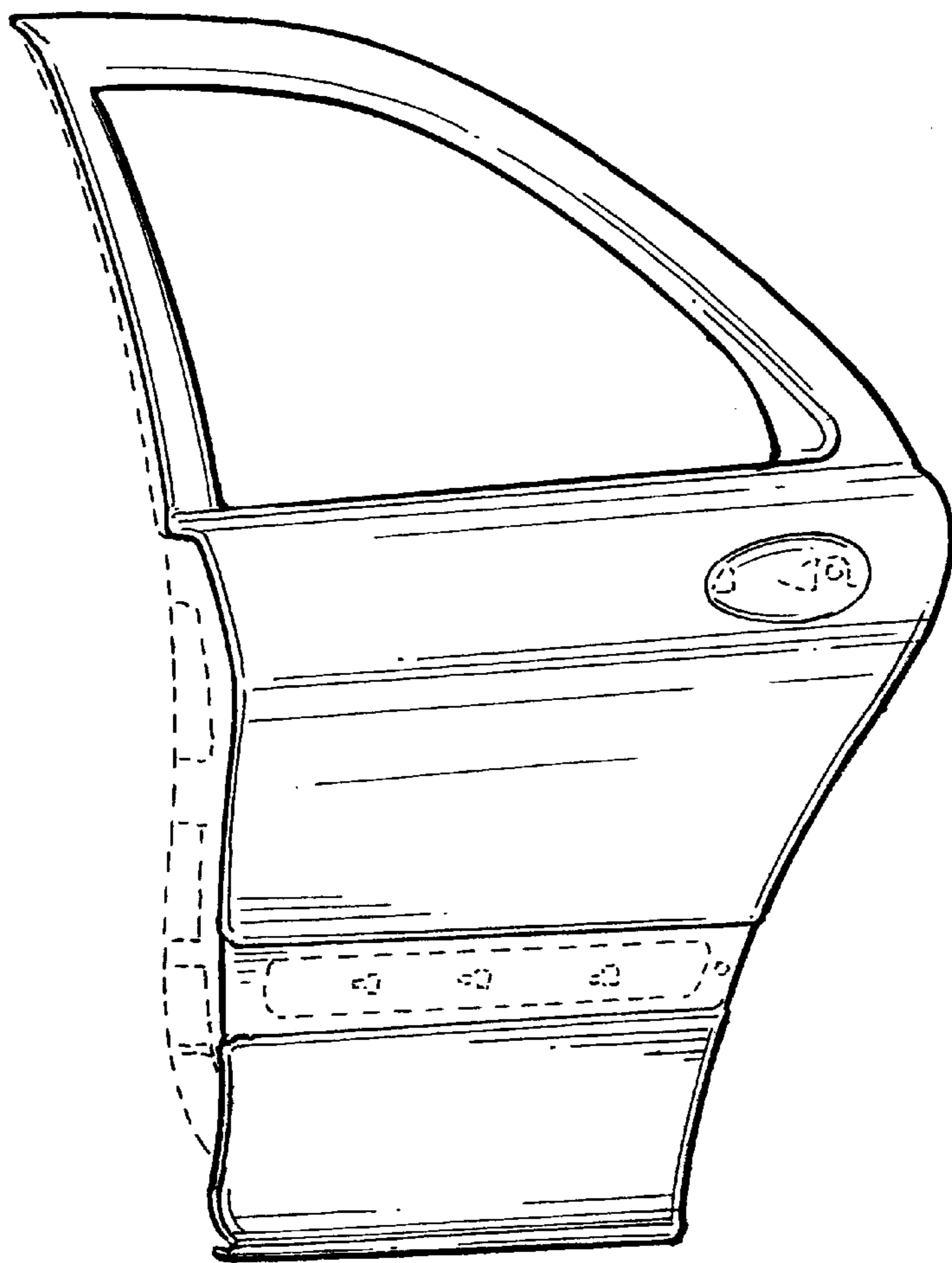


FIG. 5