



US00D419120S

**United States Patent** [19]  
**Khaladj et al.**

[11] **Patent Number: Des. 419,120**  
[45] **Date of Patent: \*\* Jan. 18, 2000**

[54] **EXTENDED AXLE AND STABILIZER**

4,944,562 7/1990 Garrison ..... 301/111  
5,257,855 11/1993 Nagano ..... 301/111

[76] Inventors: **Faramarz Khaladj; Steve Khalaj; Farhad Khalaj**, all of 23161 Peralta Dr., Laguna Hills, Calif. 92653

*Primary Examiner*—Robert M. Spear

[\*\*] Term: **14 Years**

[57] **CLAIM**

The ornamental design for a extended axle and stabilizer, as shown and described.

[21] Appl. No.: **29/090,727**

**DESCRIPTION**

[22] Filed: **Jul. 15, 1998**

[51] **LOC (7) Cl.** ..... **12-16**

[52] **U.S. Cl.** ..... **D12/160**

[58] **Field of Search** ..... D12/160, 204, D12/207, 208; D21/495, 548, 549, 550, 563; 301/108.1, 111, 131, 134; 446/456, 462, 465, 469

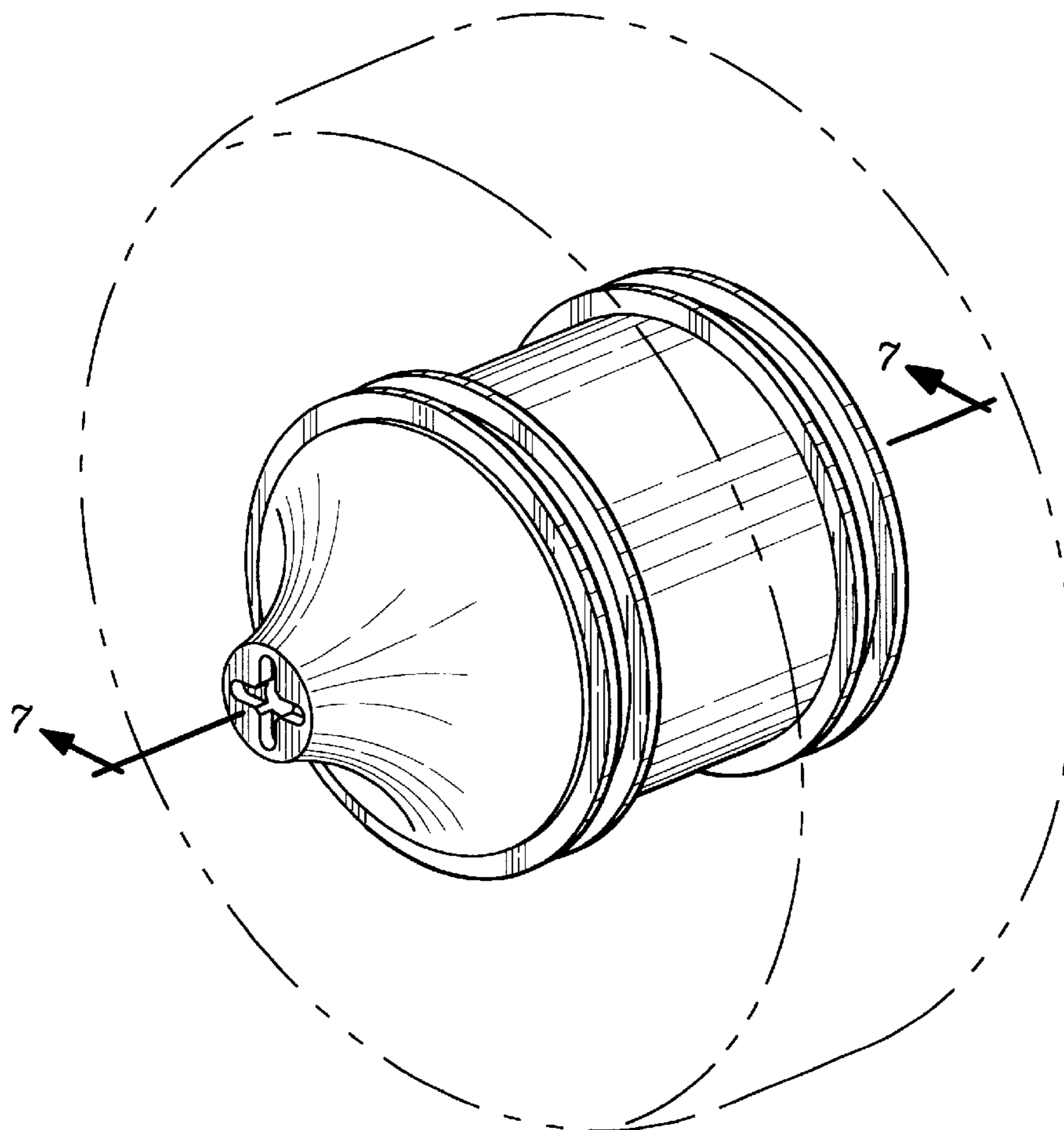
FIG. 1 is a perspective view of a extended axle and stabilizer showing my new design;  
FIG. 2 is a cross-section view thereof, taken in the direction of line 2—2 of FIG. 1,  
FIG. 3 is a front elevational view thereof,  
FIG. 4 is a right side view thereof,  
FIG. 5 is a rear elevational view thereof,  
FIG. 6 is a perspective view of a further embodiment of the extended axle and stabilizer showing my new design;  
FIG. 7 is a cross-section view of a further embodiment thereof, taken in the direction of line 7—7 of FIG. 6,  
FIG. 8 is a front elevational view of a further embodiment thereof;  
FIG. 9 is a left side view of a further embodiment thereof, and,  
FIG. 10 is a rear elevational view of a further embodiment thereof.

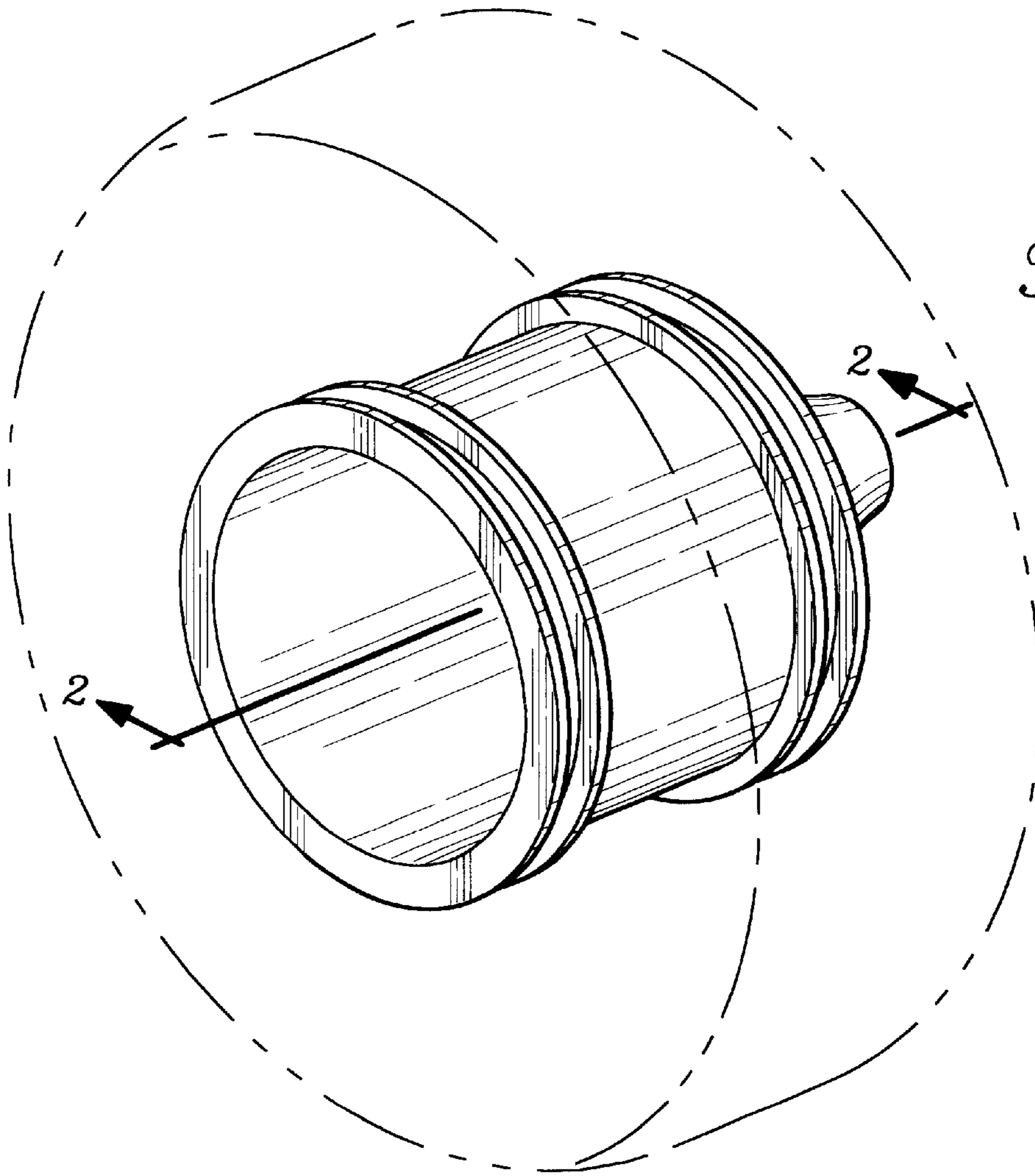
[56] **References Cited**

**U.S. PATENT DOCUMENTS**

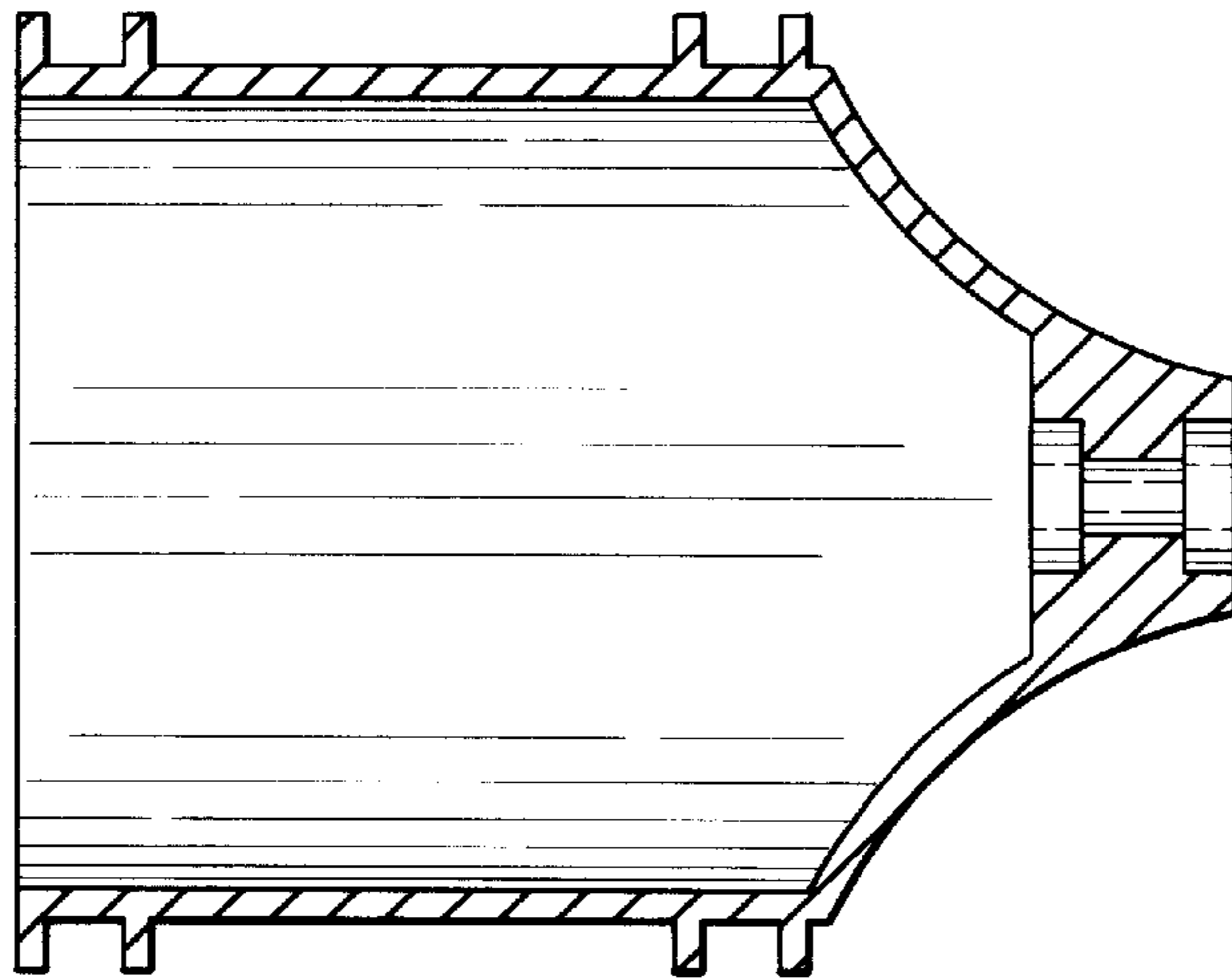
D. 31,641	10/1899	McAllister	.....	301/108.1	X
D. 54,632	3/1920	Kautt	.....	D12/160	
D. 149,936	6/1948	Cristell	.....	D21/550	
D. 275,873	10/1984	Manning et al.	.....	D21/548	
D. 275,874	10/1984	Manning et al.	.....	D21/548	
D. 335,852	5/1993	Carles	.....	D12/160	
D. 402,617	12/1998	Adams, III	.....	D12/160	
D. 407,362	3/1999	Schardt	.....	D12/204	

**1 Claim, 4 Drawing Sheets**

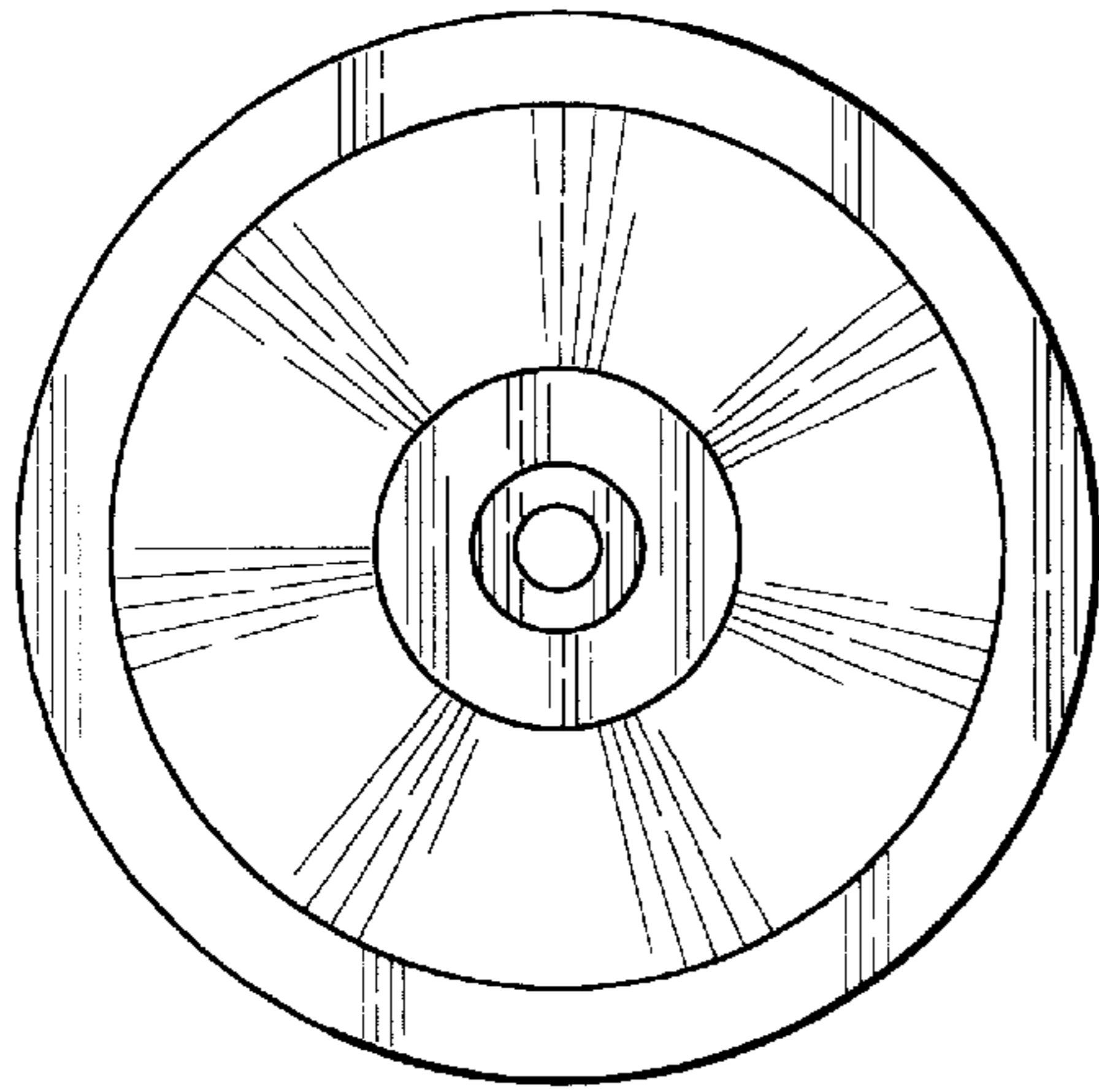




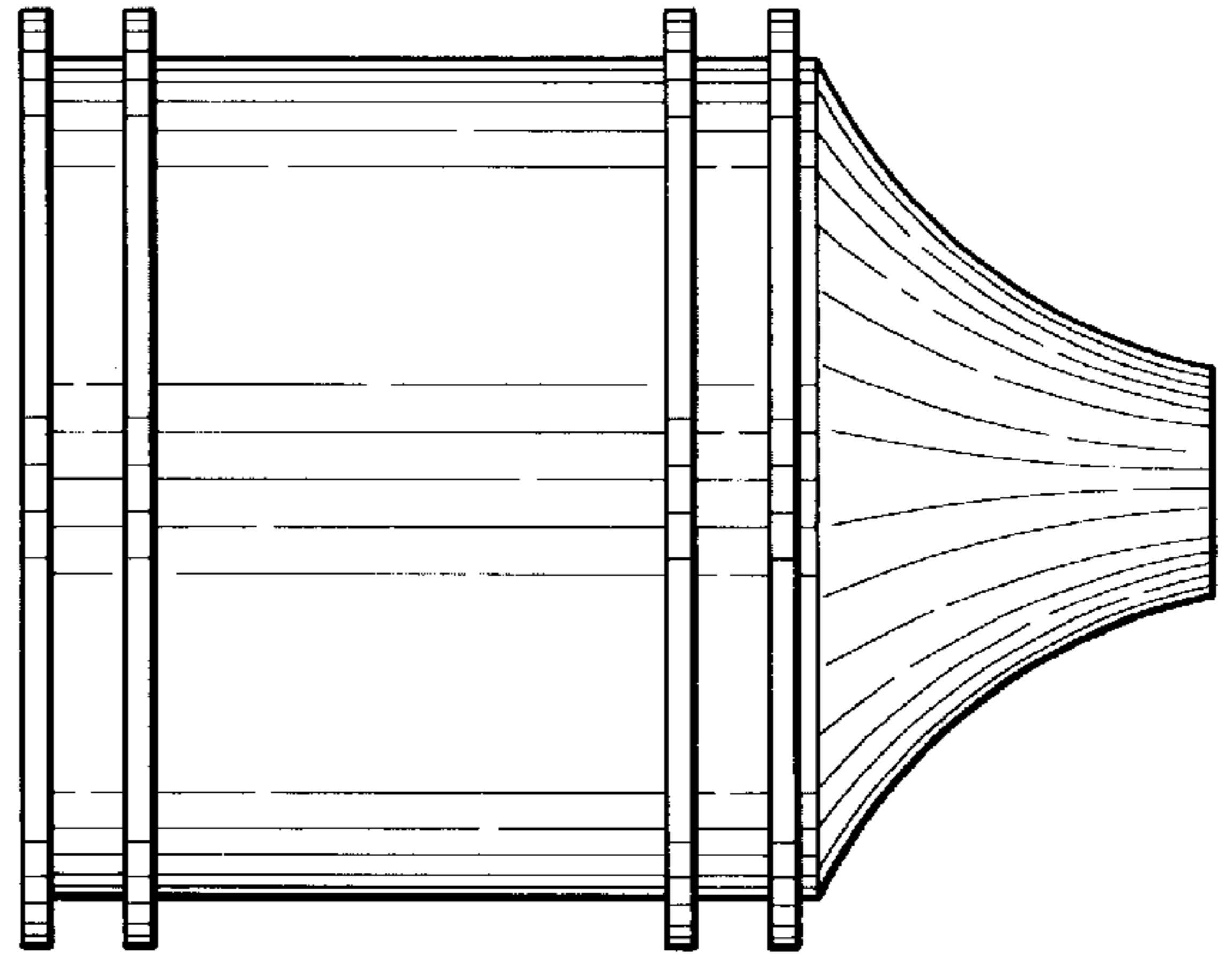
*Fig. 1*



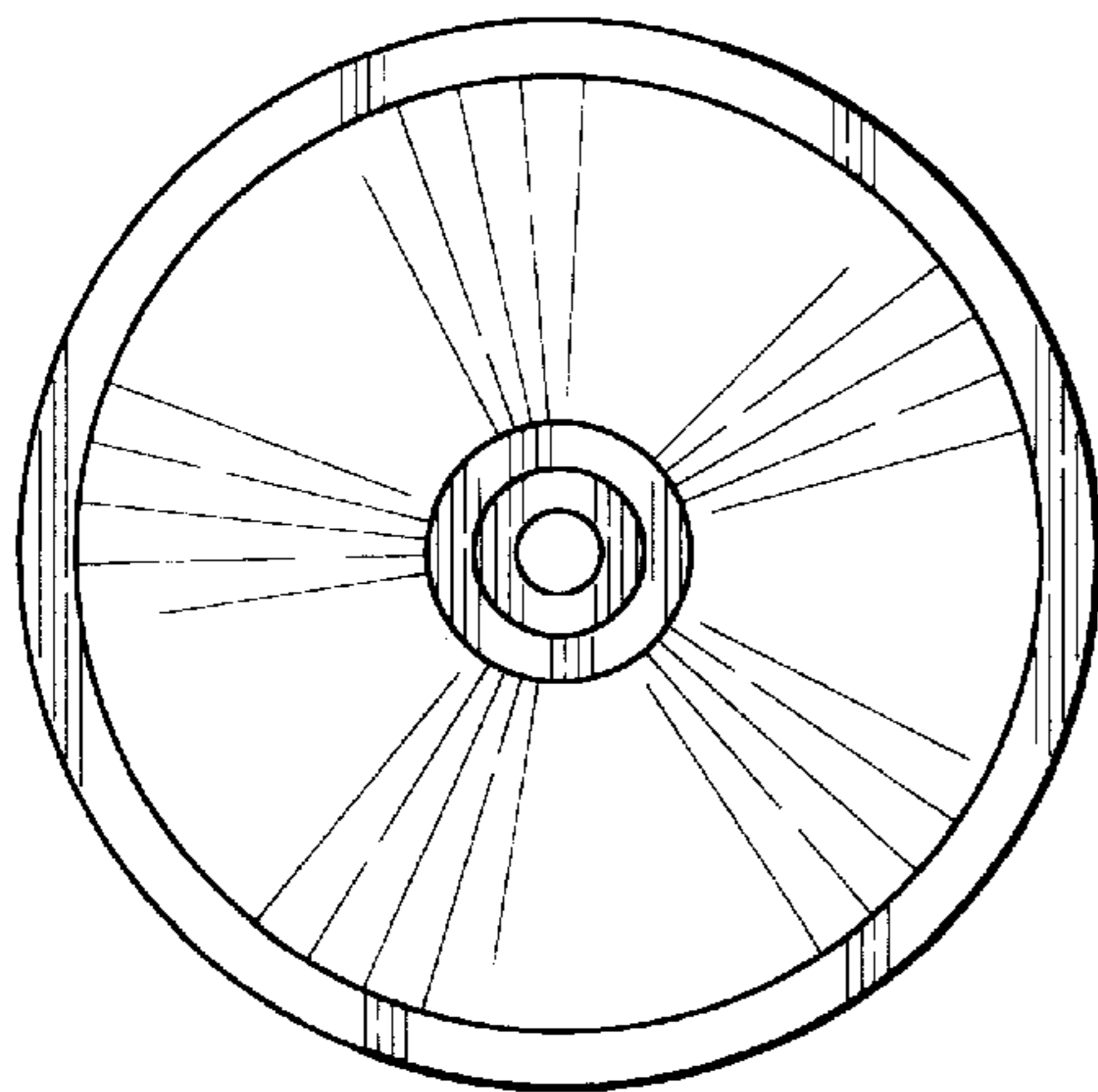
*Fig. 2*



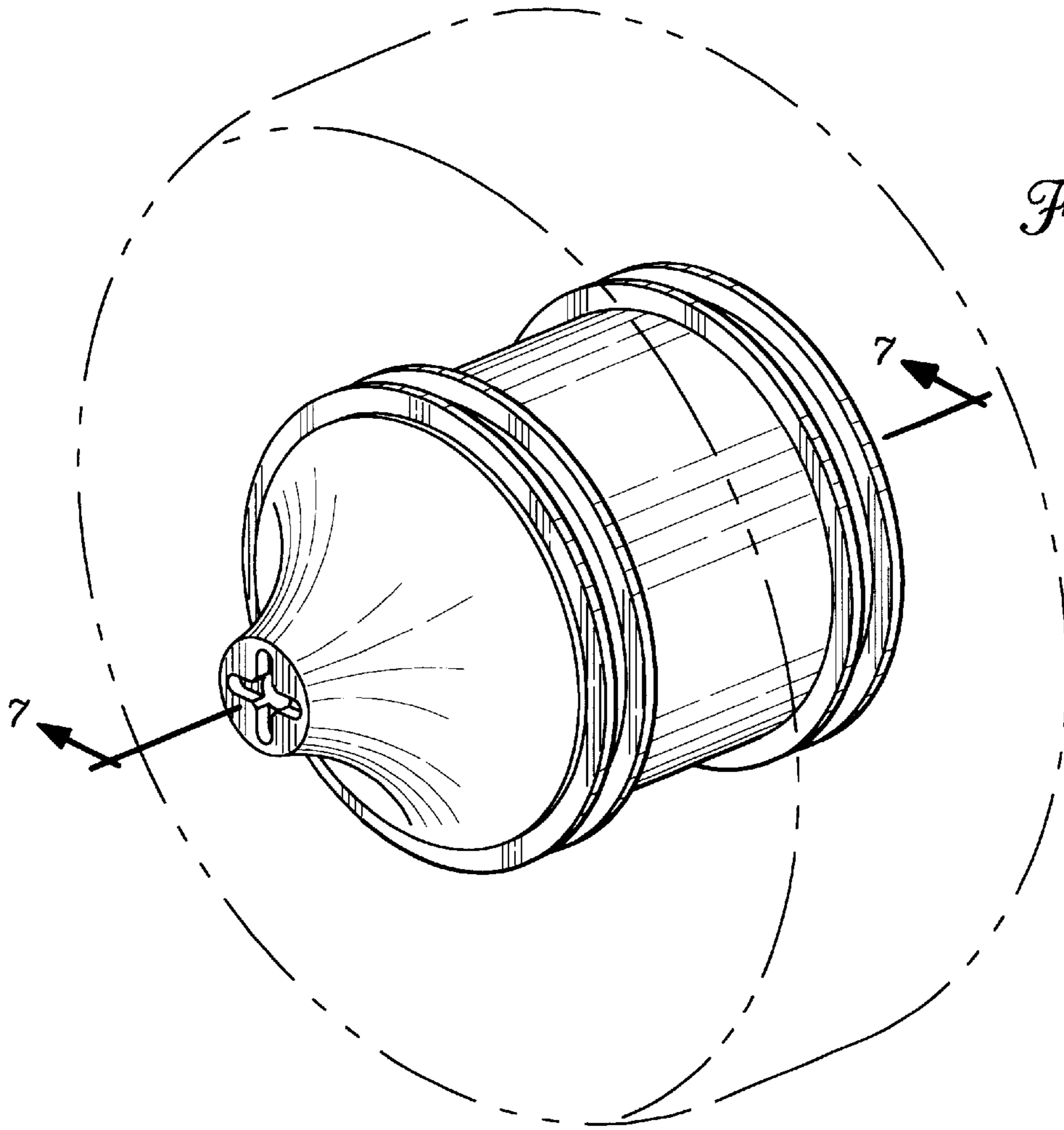
*Fig. 3*



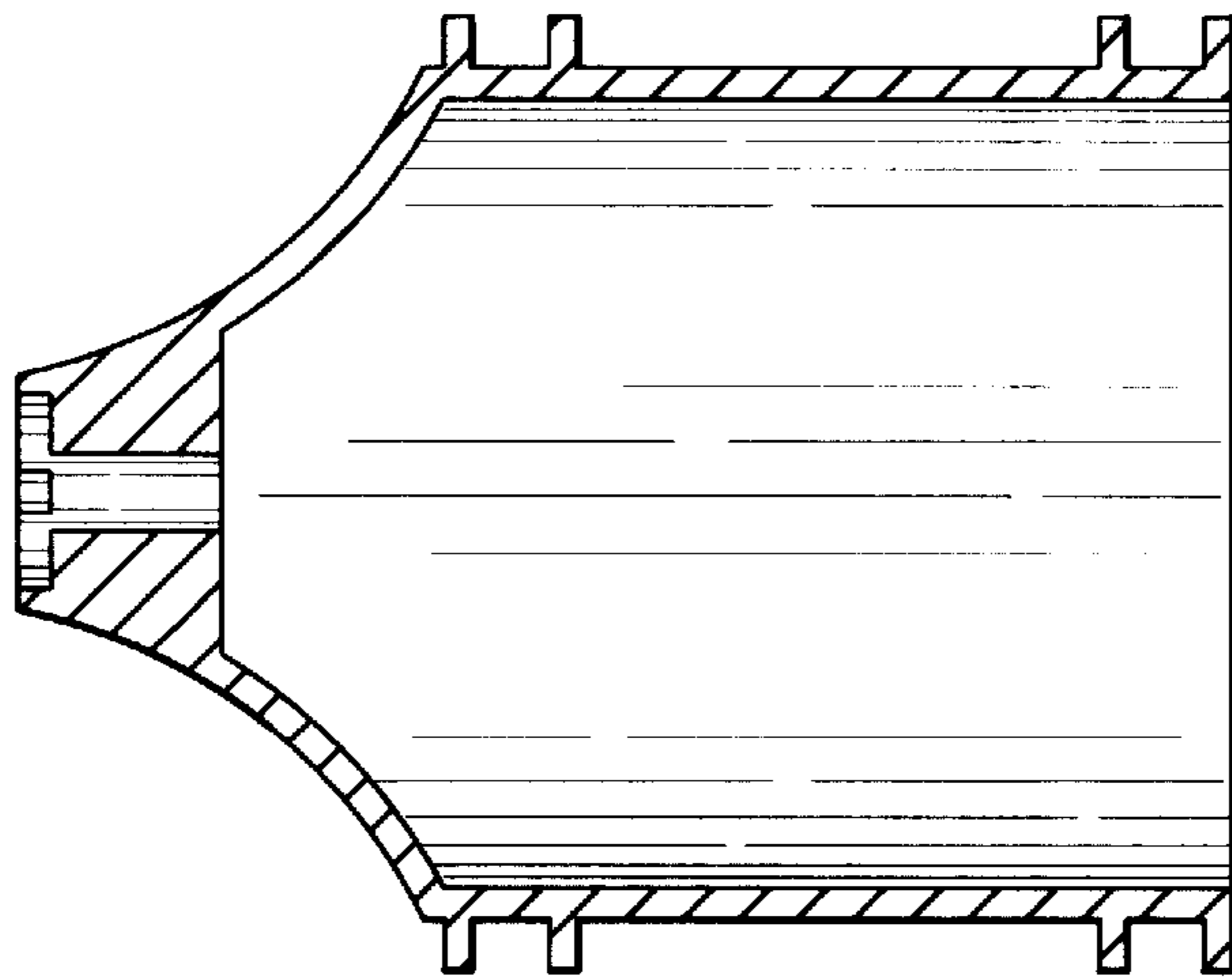
*Fig. 4*



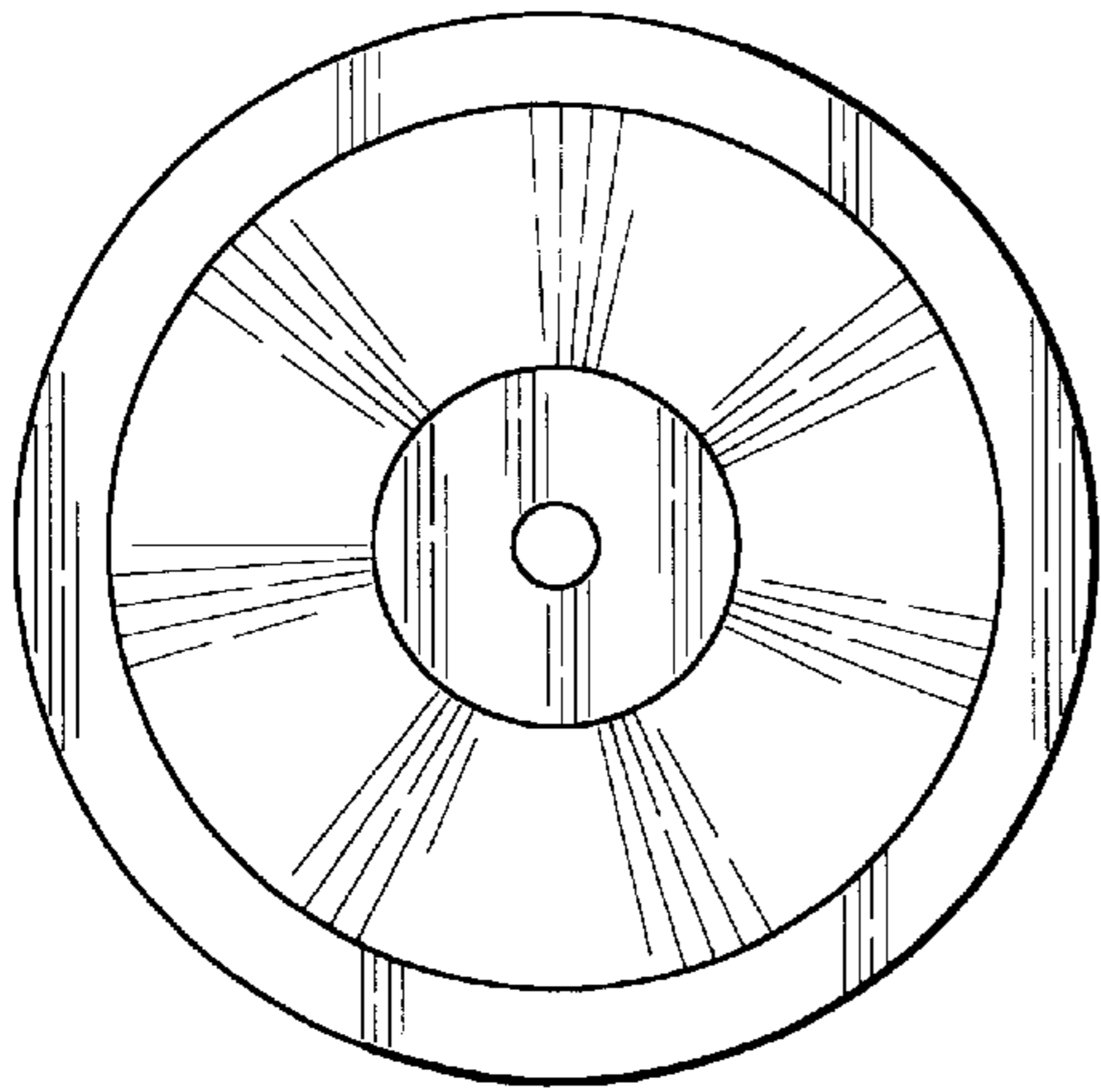
*Fig. 5*



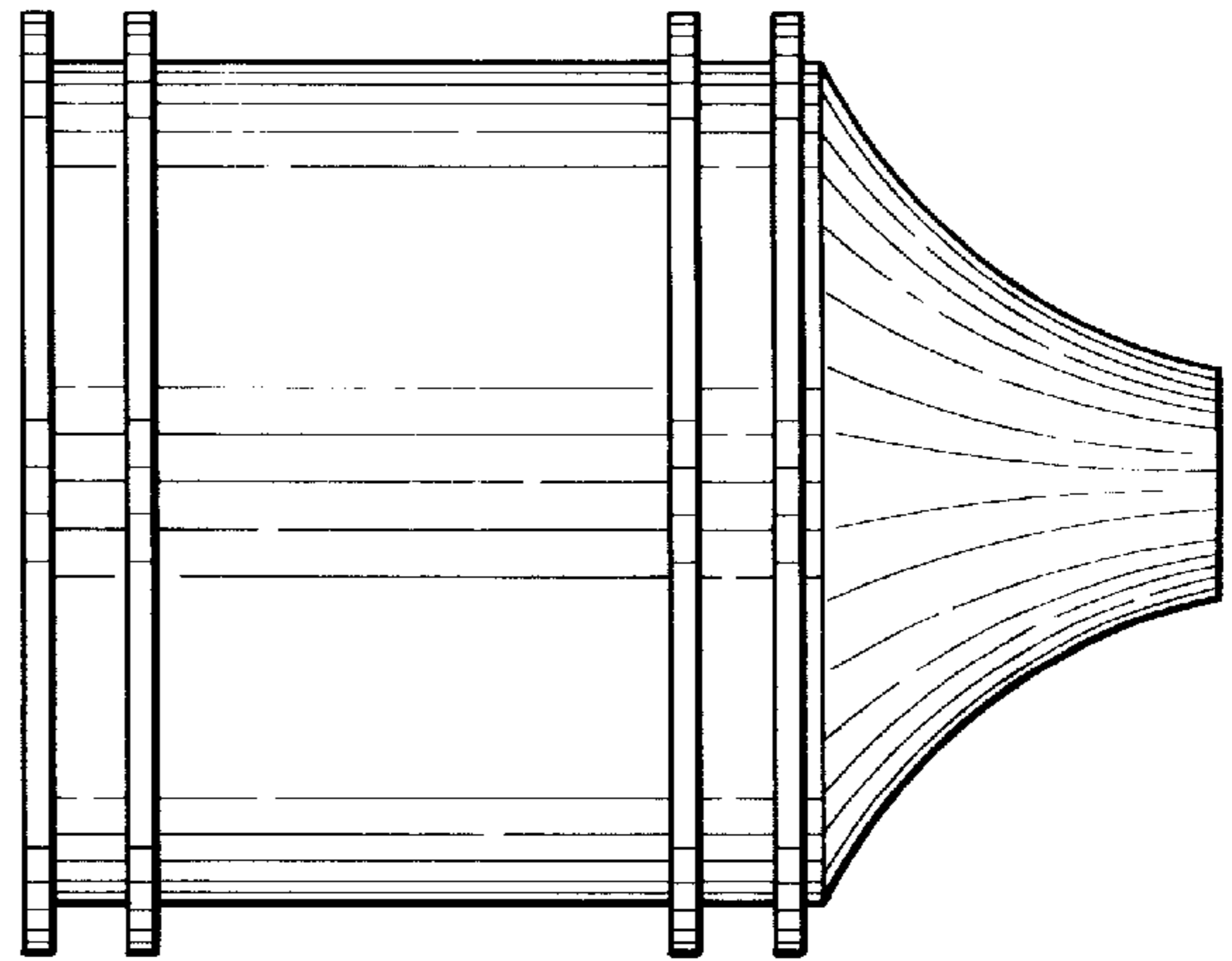
*Fig. 6*



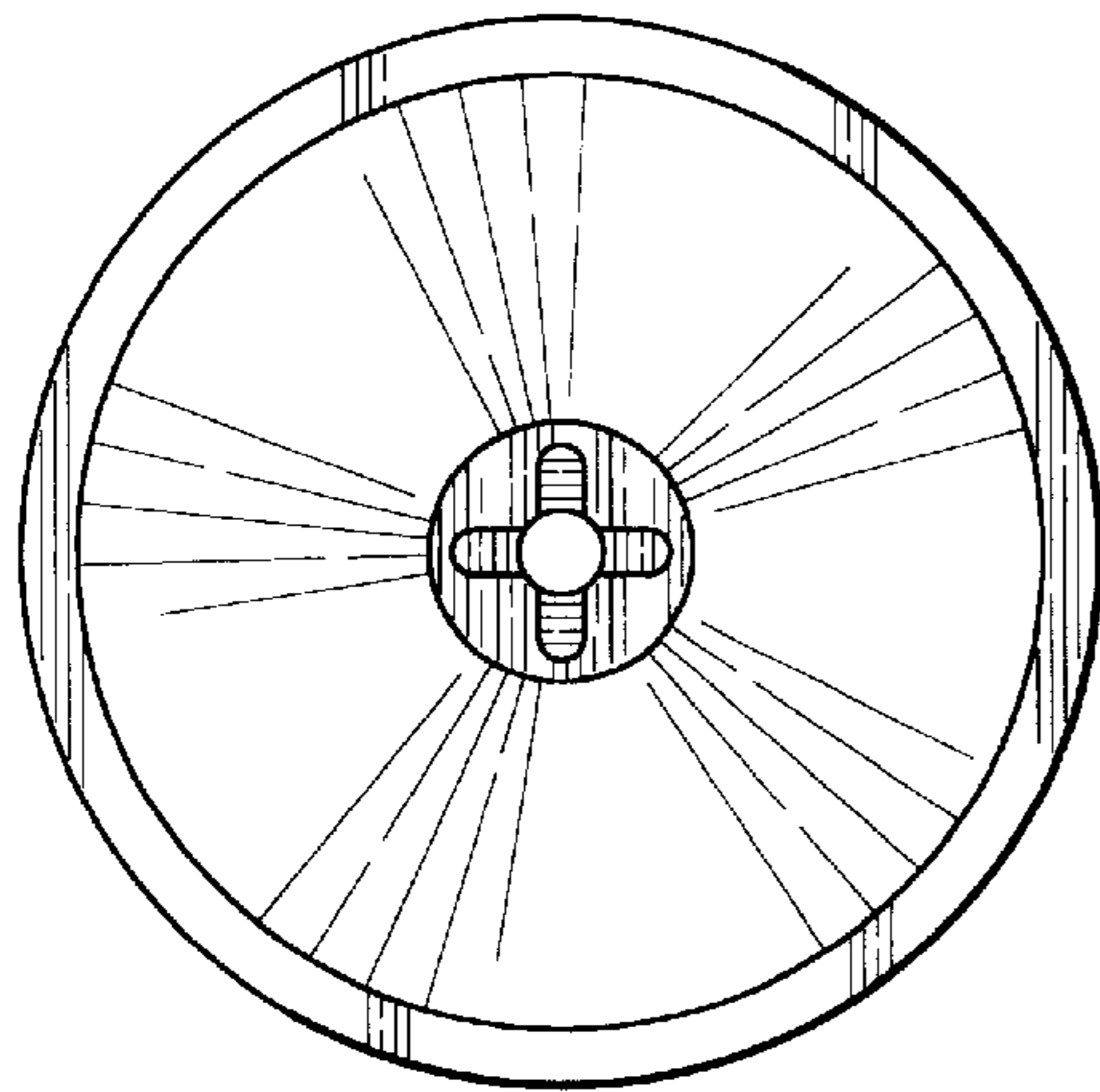
*Fig. 7*



*Fig. 8*



*Fig. 9*



*Fig. 10*