



US00D419116S

United States Patent [19]

Guspodin et al.

[11] Patent Number: Des. 419,116

[45] Date of Patent: ** Jan. 18, 2000

[54] TIRE TREAD

D. 389,790 1/1998 Himuro D12/147
D. 389,791 1/1998 Himuro D12/147

[75] Inventors: **James G. Guspodin**, Akron, Ohio;
Yasuo Himuro, Tachikawa, Japan;
William B. Allison, Cuyahoga Falls;
David M. Reep, Copley, both of Ohio

OTHER PUBLICATIONS

Bridgestone Potenza RE900 Tire, 1997 Tread Design Guide, p. 14.

[73] Assignee: **Bridgestone/Firestone, Inc.**, Akron, Ohio

Primary Examiner—Robert M. Spear
Attorney, Agent, or Firm—D. A. Thomas

[**] Term: **14 Years**

[57] CLAIM

[21] Appl. No.: **29/094,707**

The ornamental design for a tire tread, as shown and described.

[22] Filed: **Oct. 8, 1998**

DESCRIPTION

[51] LOC (7) Cl. **12-15**

[52] U.S. Cl. **D12/147**

[58] Field of Search D12/136-152;
152/209.1, 209.8, 209.9, 209.11, 209.12,
209.13, 209.16, 209.18, 209.19, 209.21,
209.28, 900, 901, 902, 903

FIG. 1 is a side perspective view of a tire tread showing our new design, it being understood that the tread pattern is repeated throughout the circumference of the tire tread; FIG. 2 is a front elevational view thereof; FIG. 3 is a side elevational view of the right side thereof; FIG. 4 is a side elevational view of the left side thereof; and, FIG. 5 is an enlarged fragmentary front elevational view thereof.

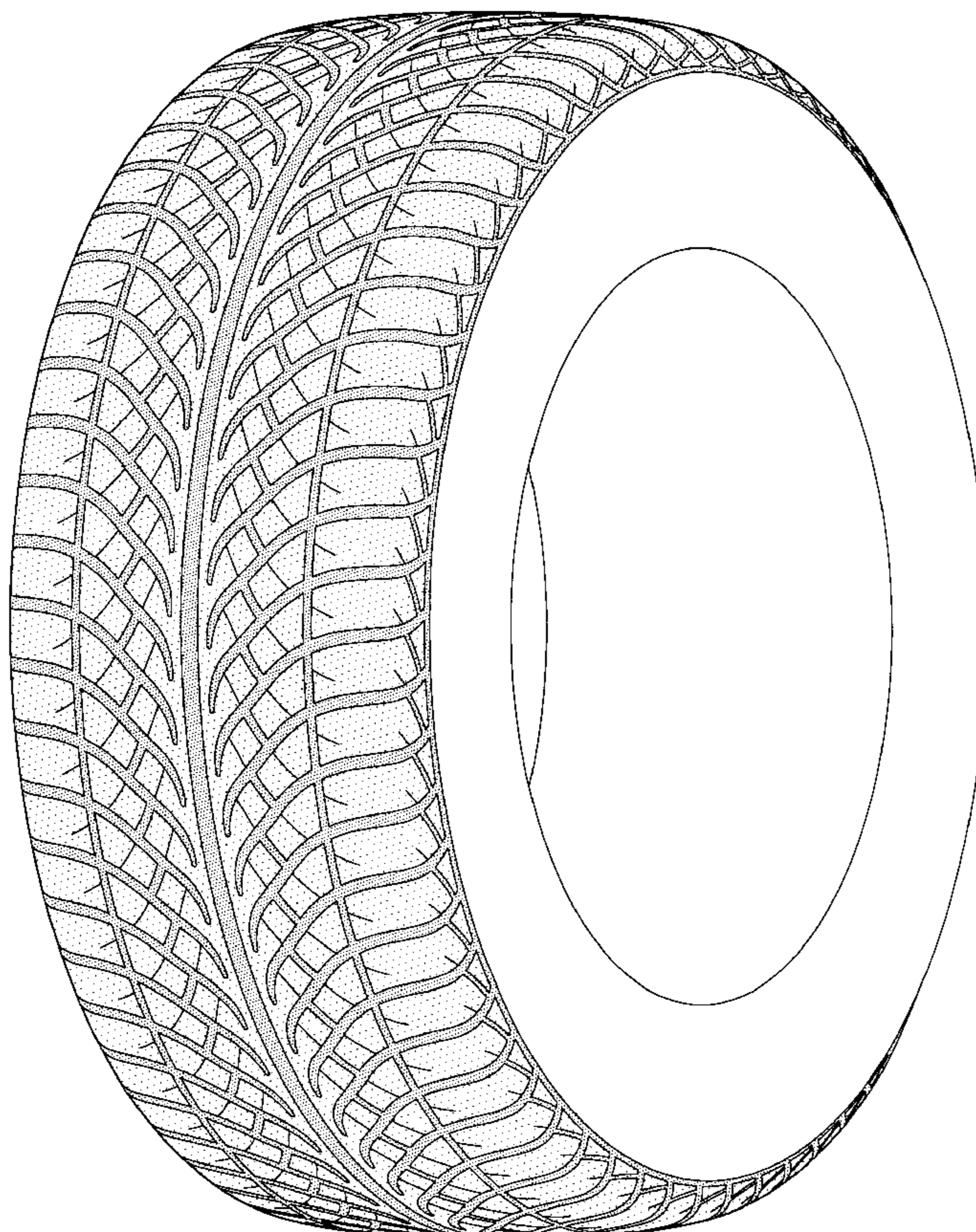
[56] References Cited

U.S. PATENT DOCUMENTS

D. 295,031	4/1988	Fontaine et al.	D12/146
D. 337,291	7/1993	Hirose	D12/147
D. 340,895	11/1993	Himuro et al.	D12/147
D. 349,478	8/1994	Himuro	D12/151
D. 350,100	8/1994	Van Tuyl	D12/147
D. 366,020	1/1996	Himuro et al.	D12/149
D. 379,449	5/1997	Graas et al.	D12/151

The dark stippled surface shading represents the recessed portion of the tread grooves, having a depth as best shown in FIG. 2; the broken lines defining the tire sidewall and the inner bead and the peripheral boundary between the tire tread and sidewall are for illustrative purposes only and form no part of the claimed design.

1 Claim, 5 Drawing Sheets



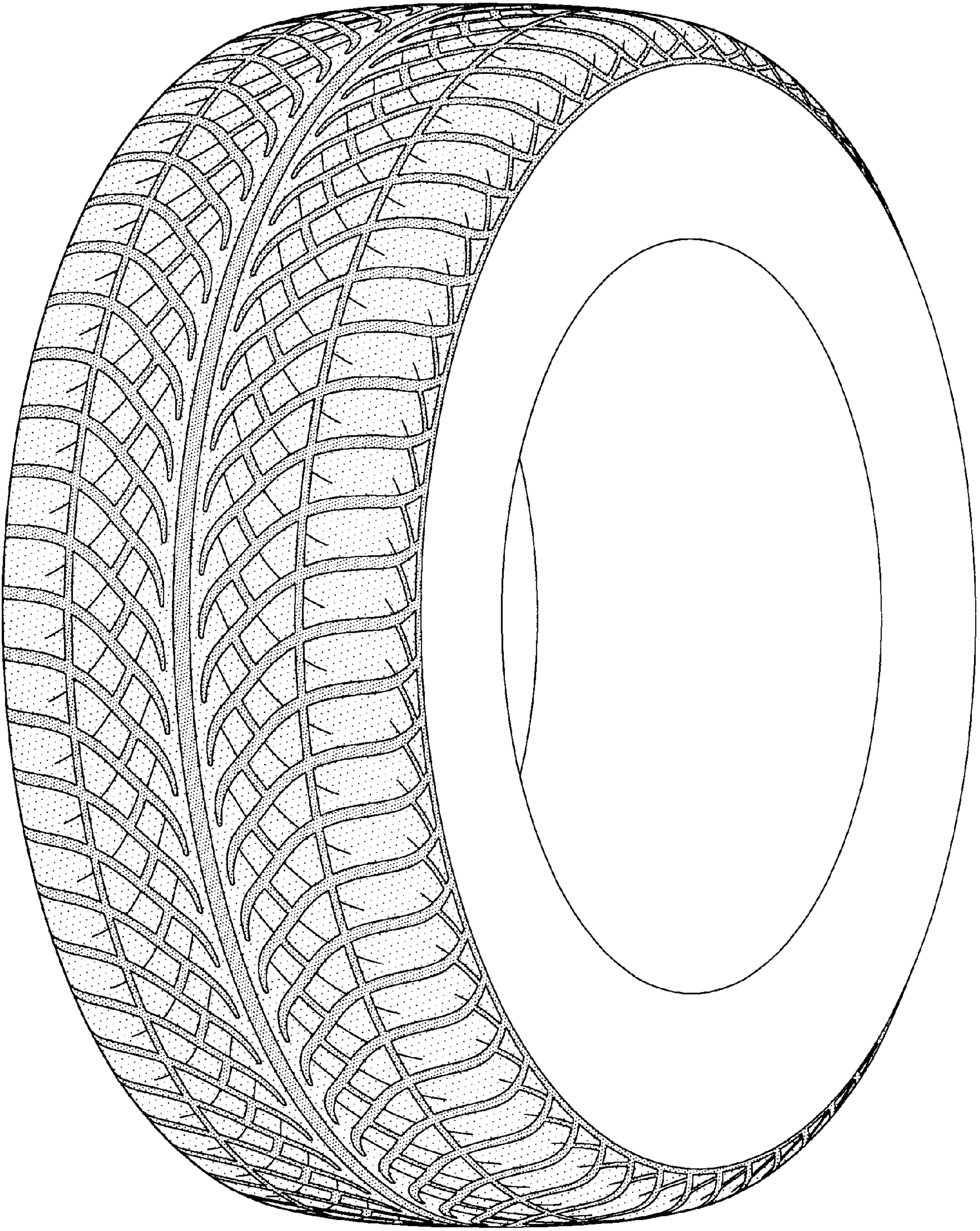


FIG-1

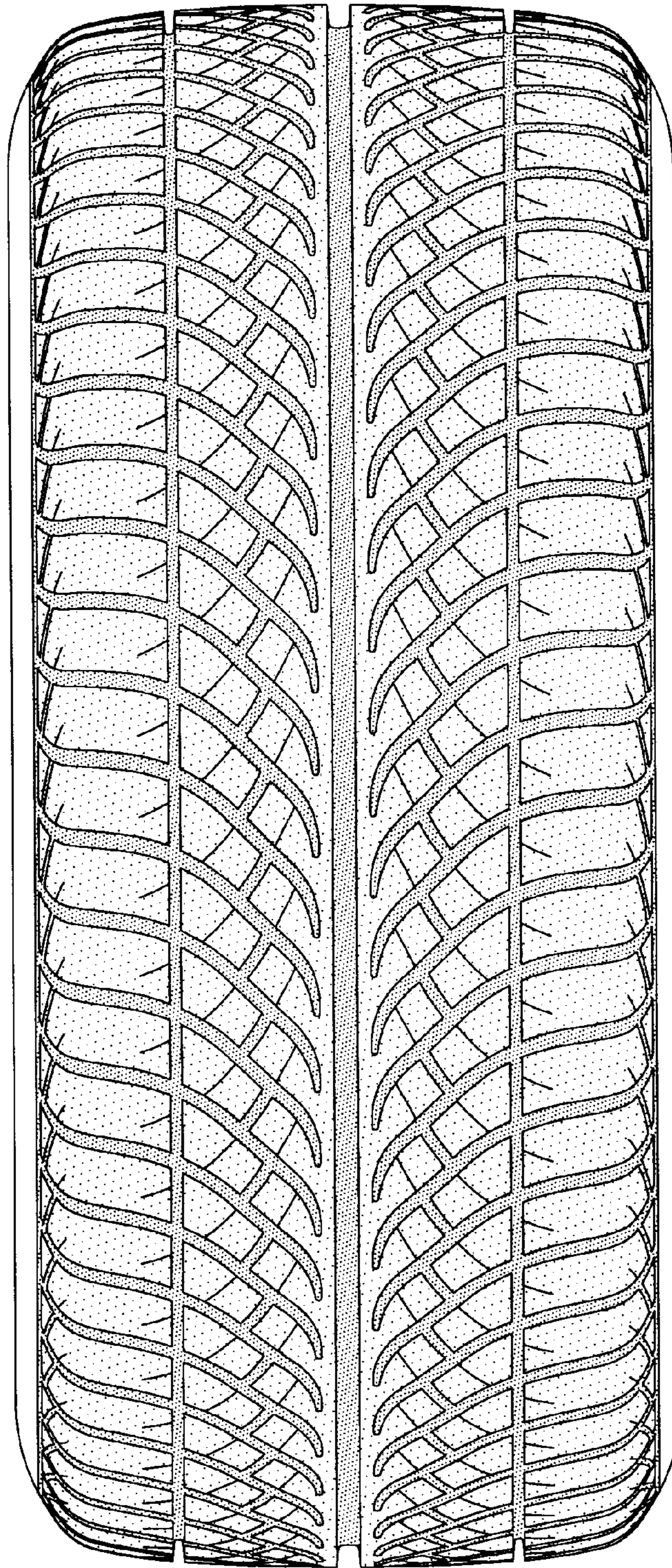


FIG-2

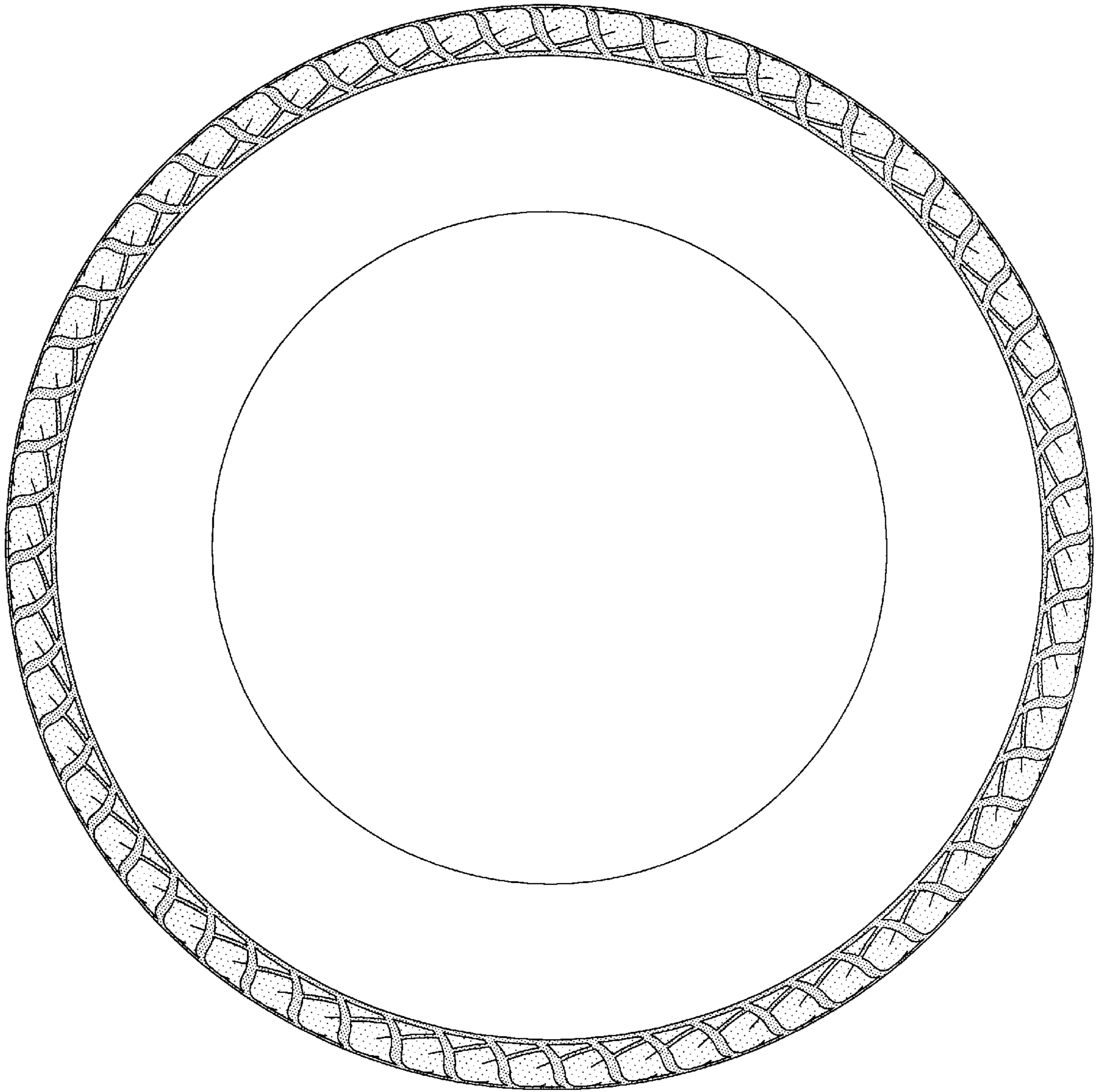


FIG-3

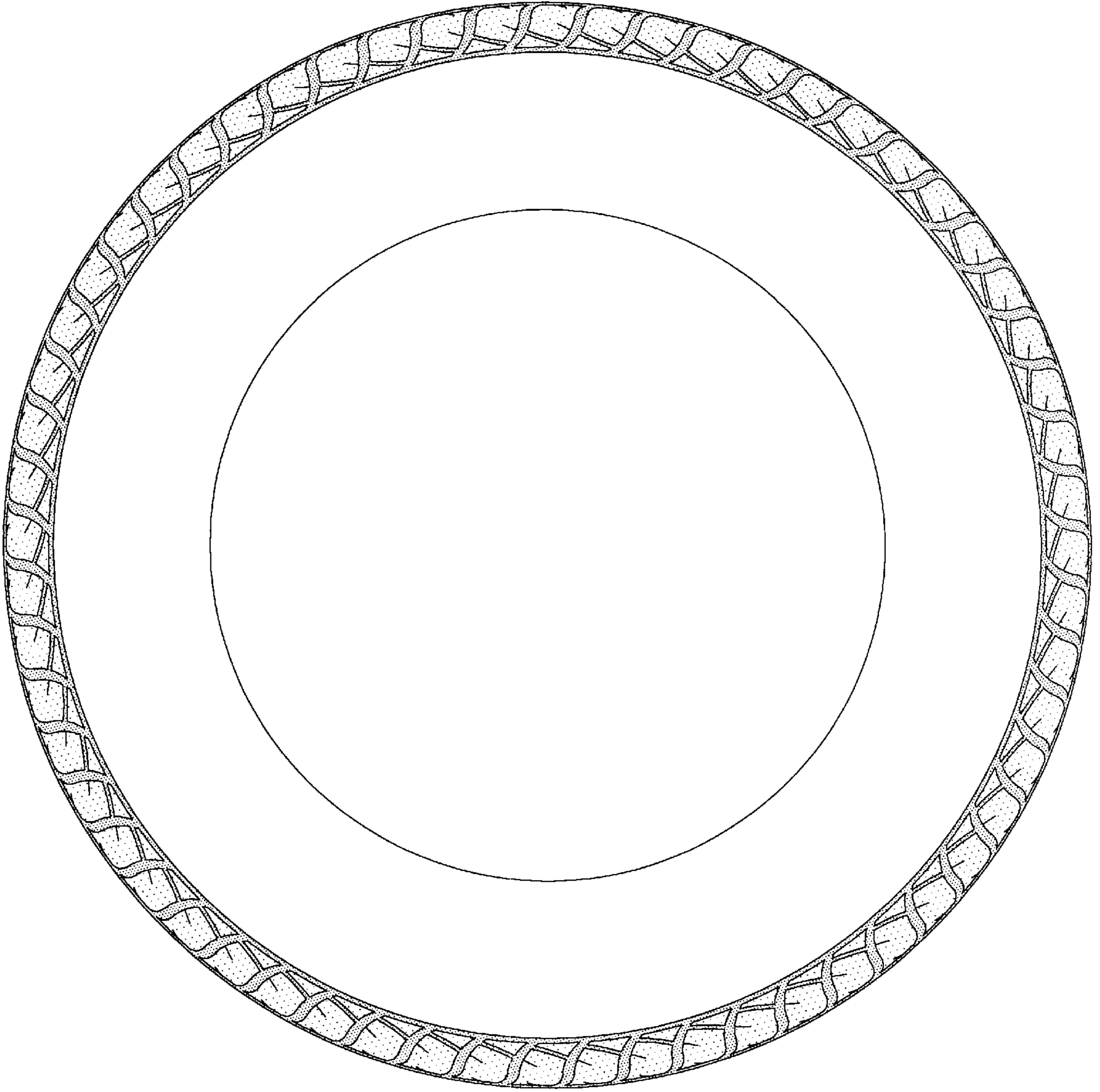


FIG-4

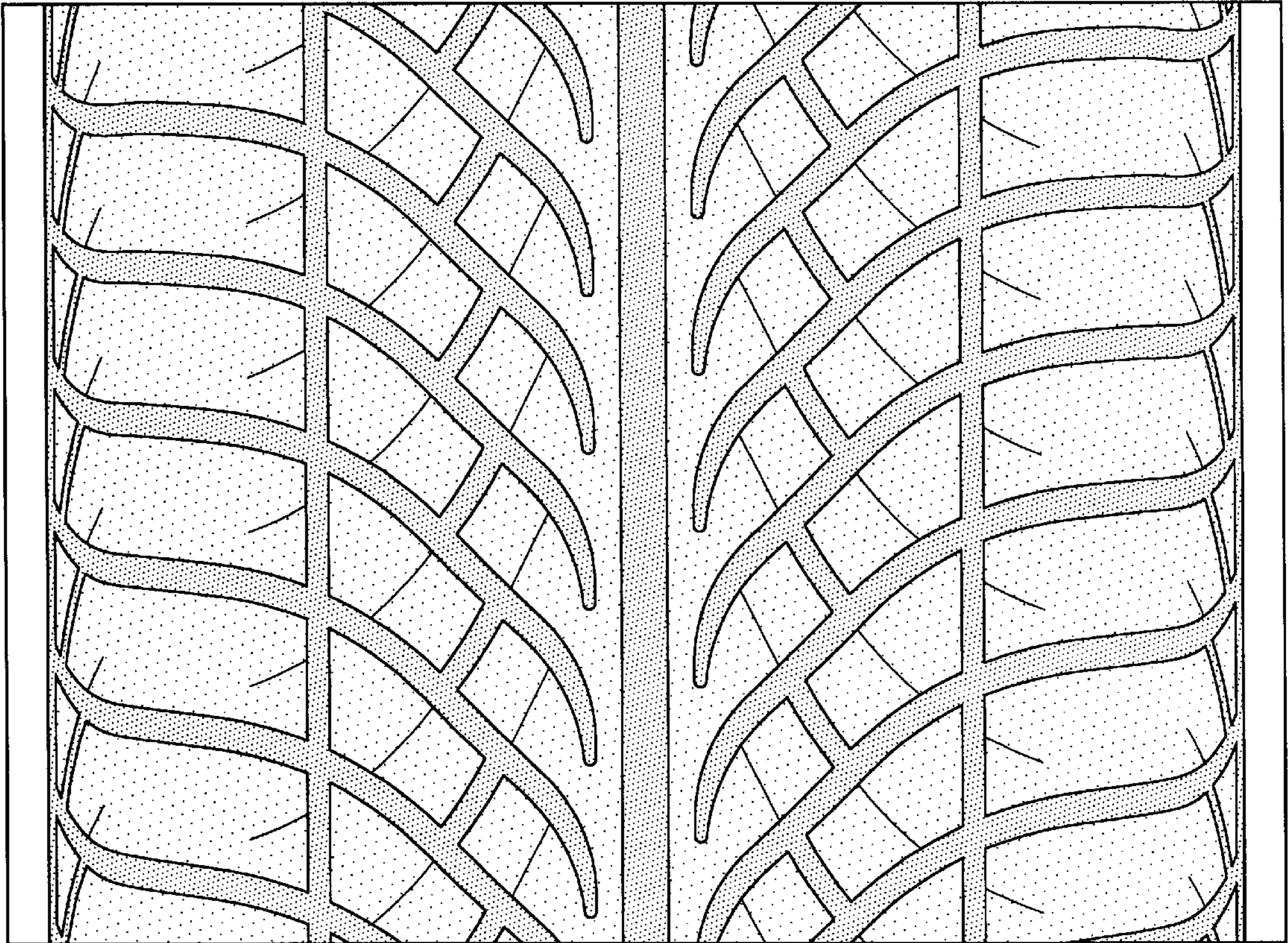


FIG-5