



US00D419113S

United States Patent [19]
Everett

[11] **Patent Number: Des. 419,113**

[45] **Date of Patent: ** Jan. 18, 2000**

[54] **COLLAPSIBLE BABY STROLLER FOR A JOGGER**

[76] Inventor: **Richard C. Everett**, 225 Sunshine La., West Linn, Oreg. 97068

[**] Term: **14 Years**

[21] Appl. No.: **29/106,616**

[22] Filed: **Jun. 21, 1999**

[51] **LOC (7) Cl.** **12-12**

[52] **U.S. Cl.** **D12/129**

[58] **Field of Search** D12/128, 129;
D21/533, 534, 535, 536; 280/42, 62, 642,
641, 650, 657, 658, 47.38, 30, 644, 647,
648

[56] **References Cited**

U.S. PATENT DOCUMENTS

D. 357,890	5/1995	Eyman et al.	D12/129
D. 363,903	11/1995	Chiu	D12/129
D. 369,992	5/1996	Baechler	D12/129
D. 409,530	5/1999	Chen et al.	D12/129

Primary Examiner—Kay H. Chin
Attorney, Agent, or Firm—Edward E. Roberts

[57] **CLAIM**

The ornamental design for collapsible baby stroller for a jogger, as shown and described.

DESCRIPTION

FIG. 1 is a perspective view of a collapsible baby stroller for a jogger showing my new design;
FIG. 2 is a right side elevational view thereof;
FIG. 3 is a front elevational view thereof;
FIG. 4 is a rear elevational view thereof;
FIG. 5 is a bottom plan view thereof;
FIG. 6 is a top plan view thereof;
FIG. 7 is a perspective view thereof with the fabric covering removed;
FIG. 8 is a right side elevational view of FIG. 7;
FIG. 9 is a front elevational view of FIG. 7;
FIG. 10 is a rear elevational view of FIG. 7;
FIG. 11 is a bottom plan view of FIG. 7; and,
FIG. 12 is a top plan view of FIG. 7.

1 Claim, 8 Drawing Sheets

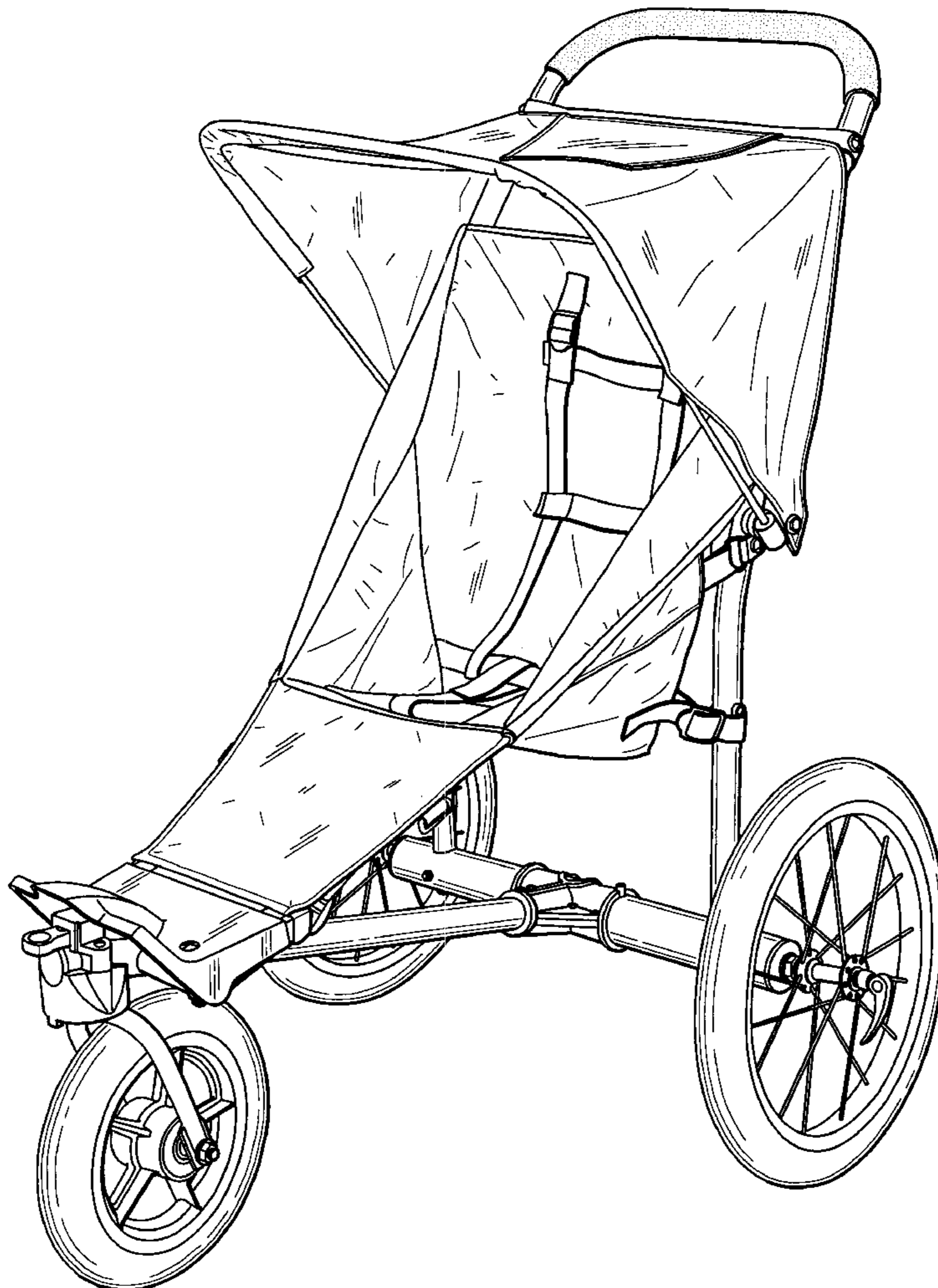


Fig. 1

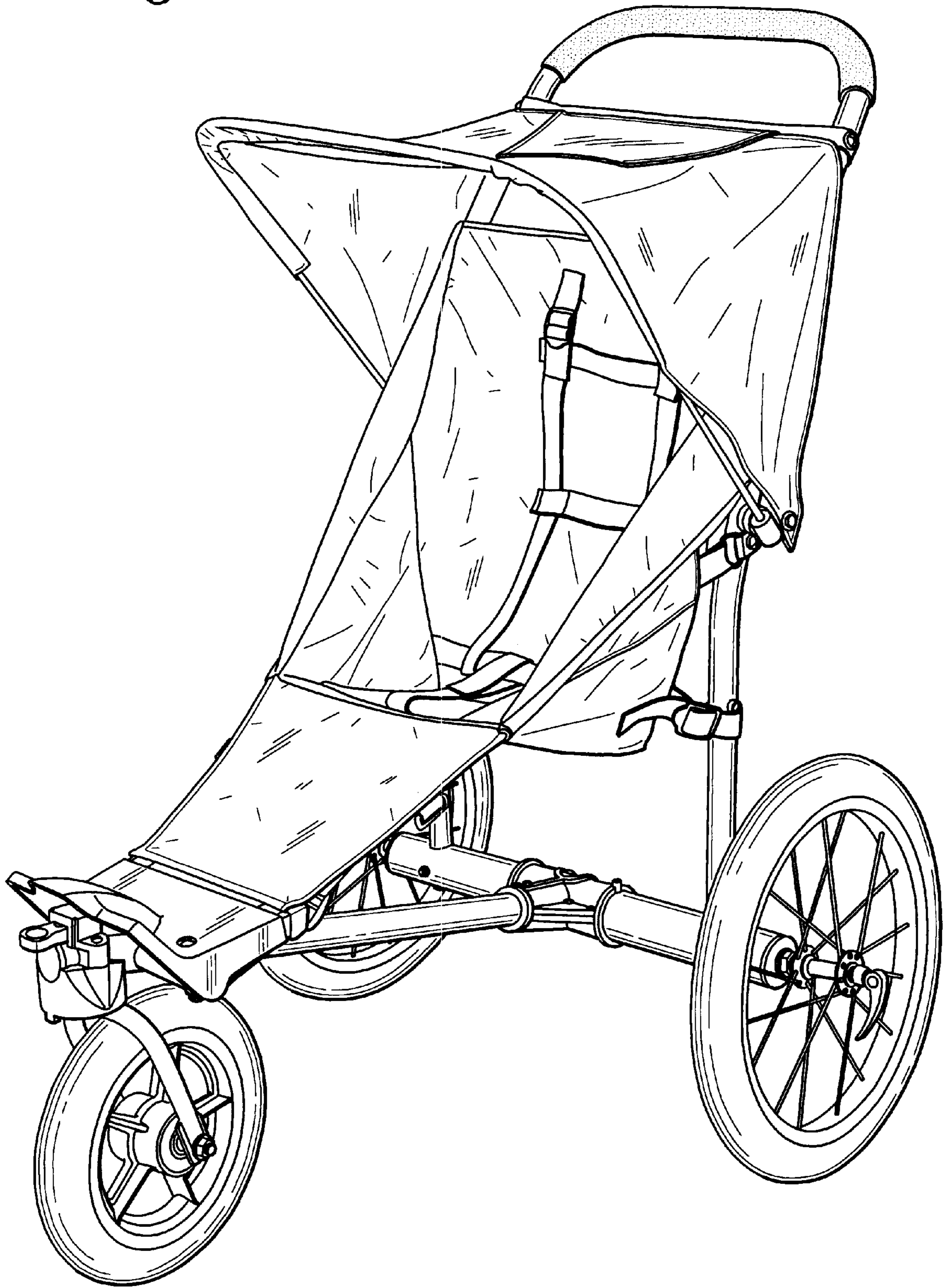


Fig. 2

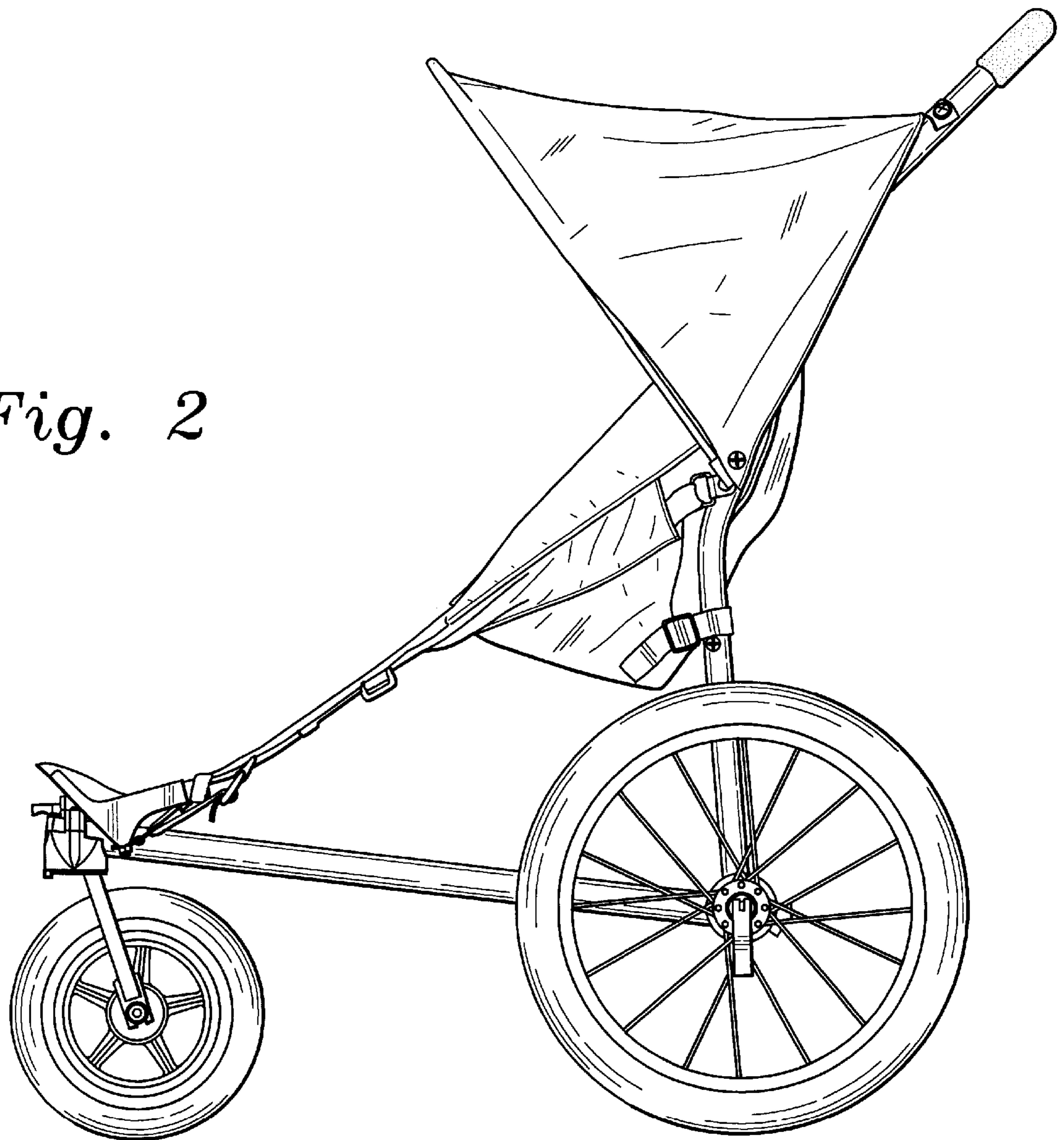


Fig. 4

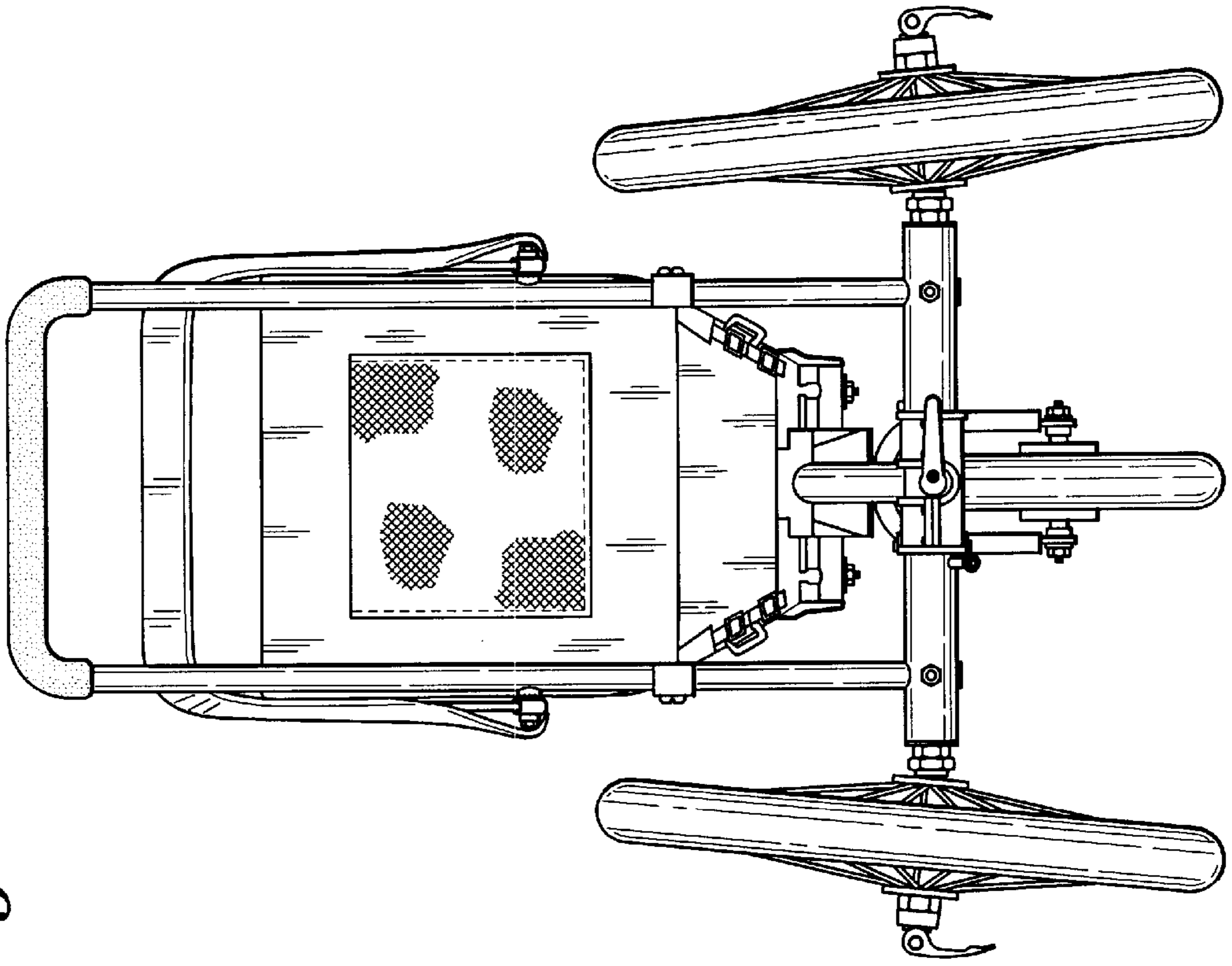


Fig. 3

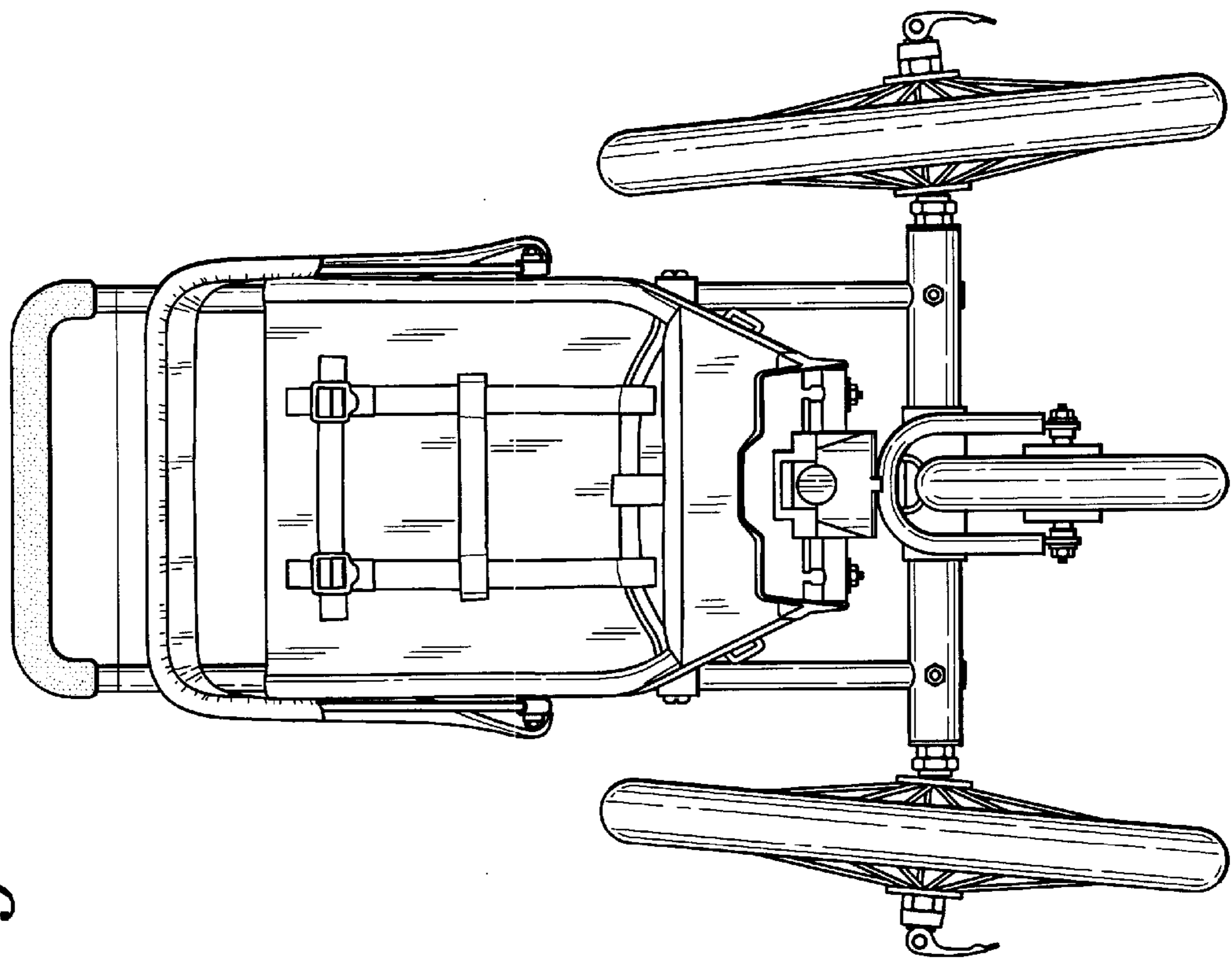


Fig. 6

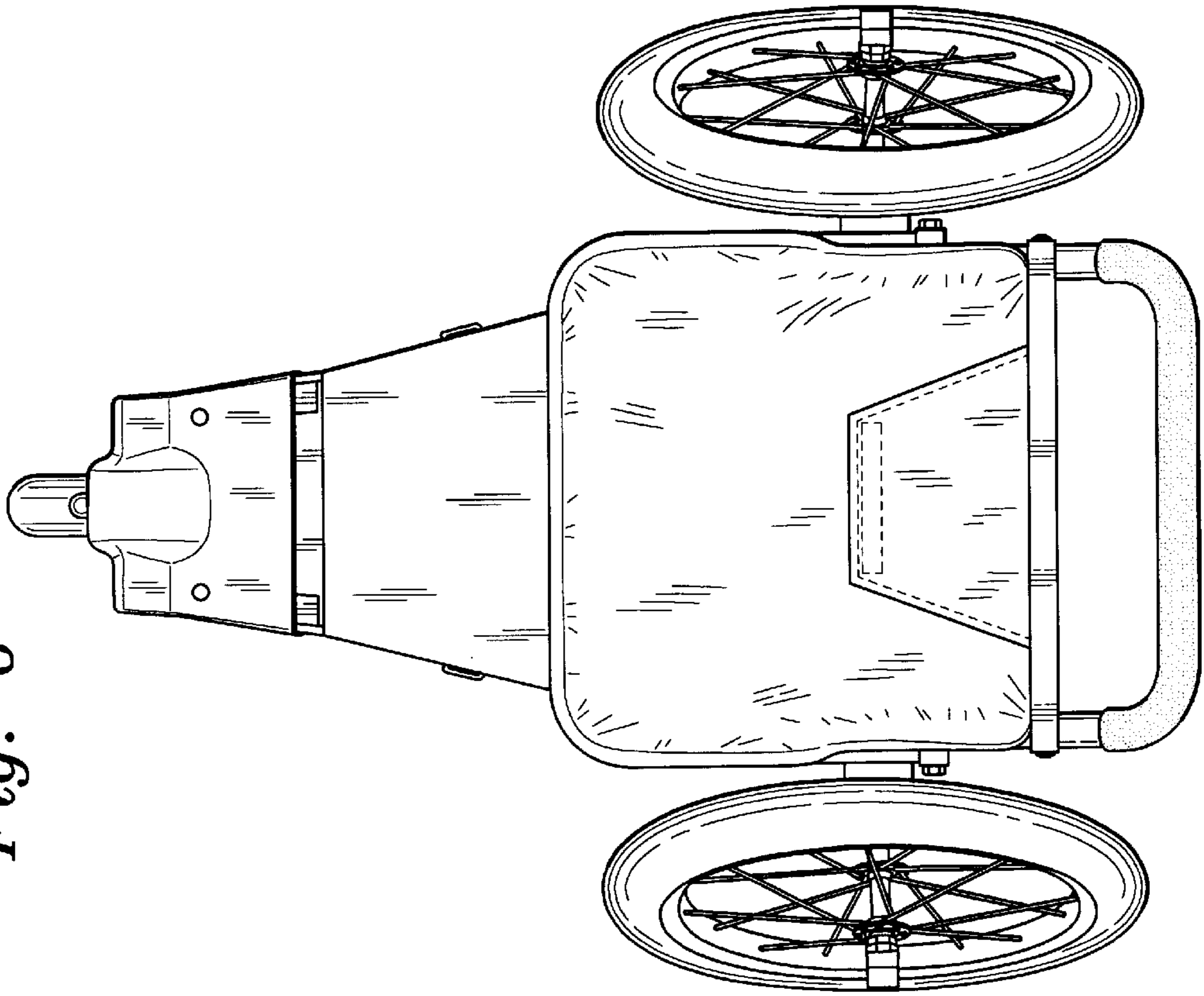


Fig. 5

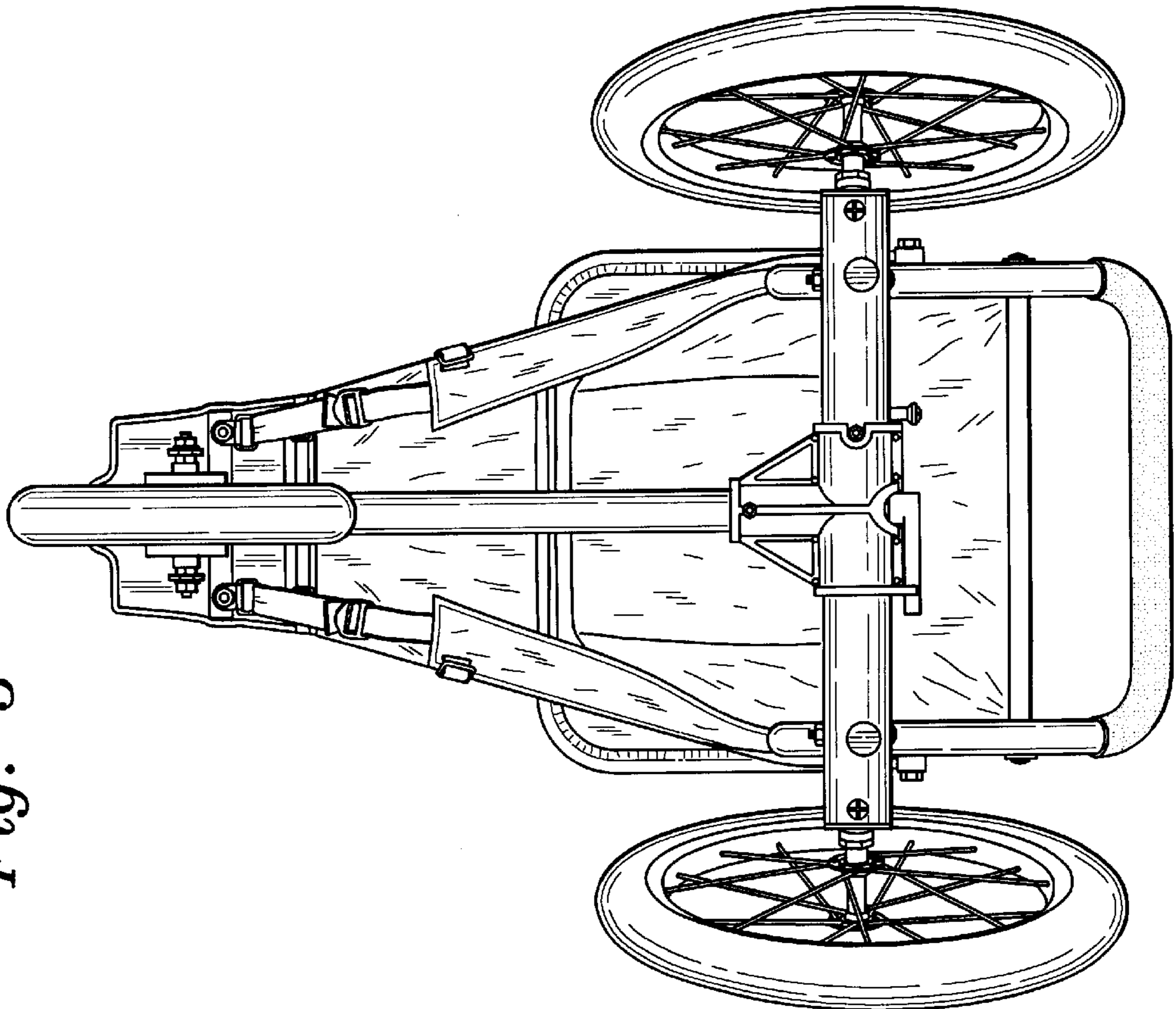


Fig. 7

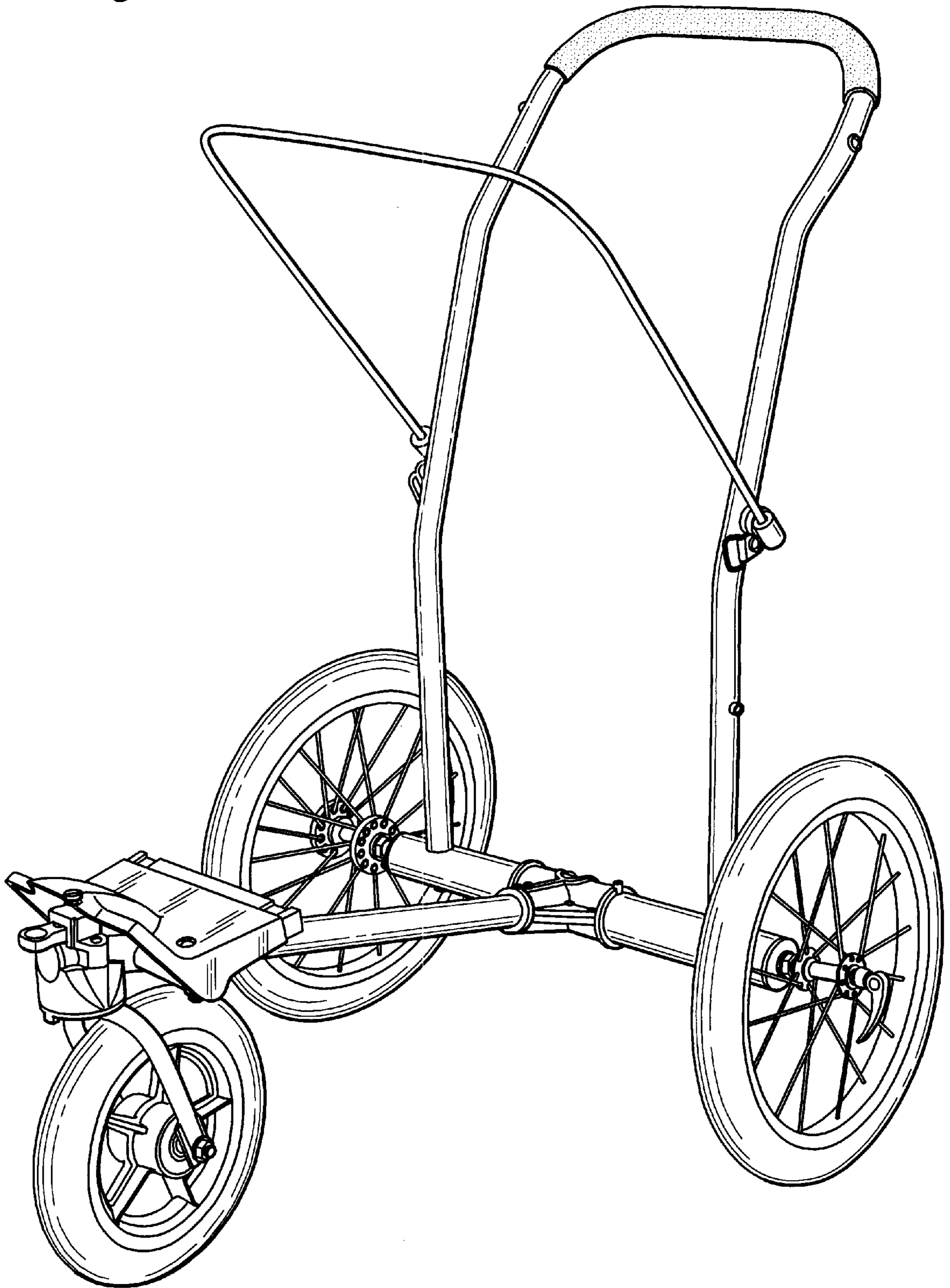


Fig. 8

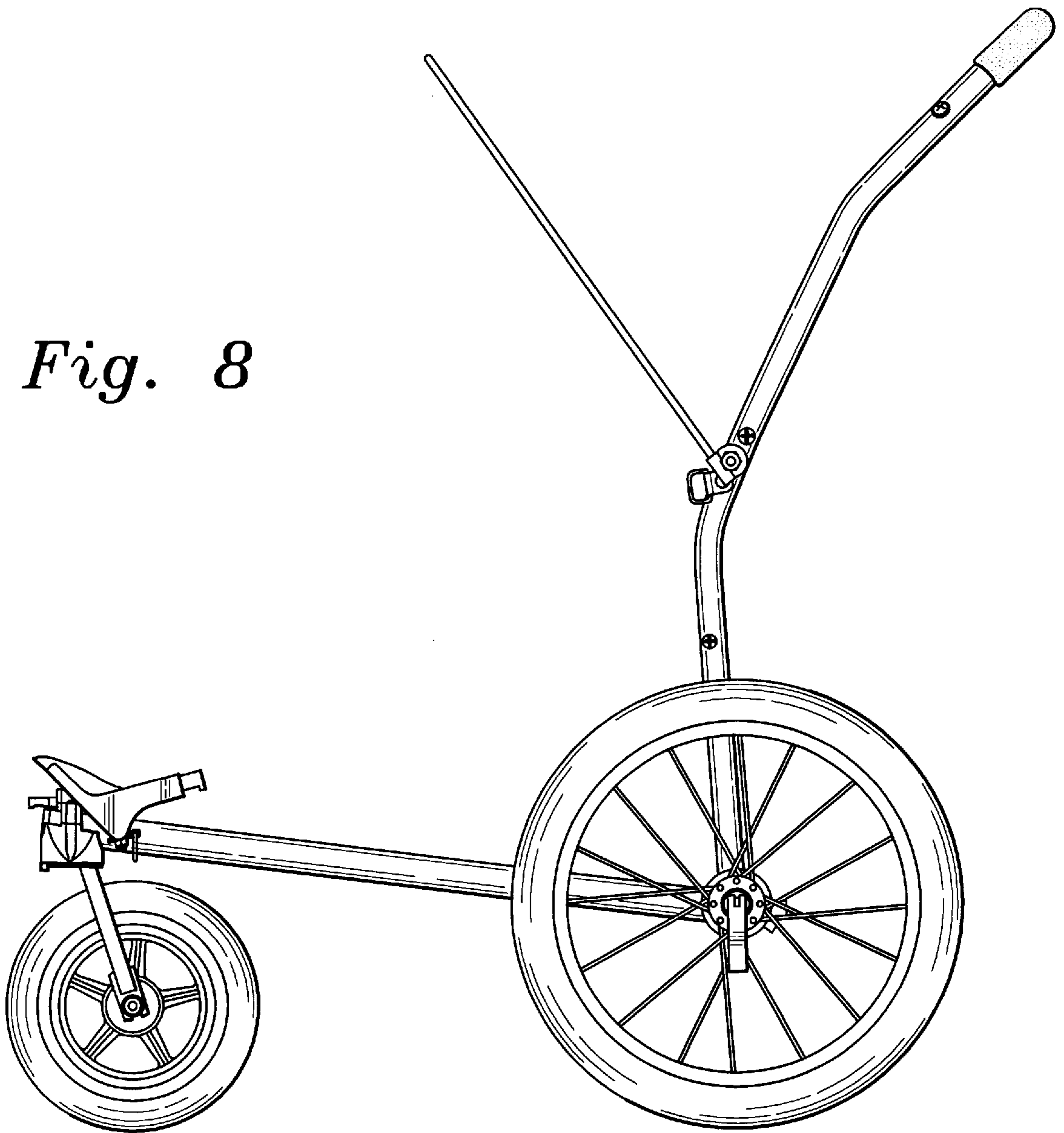


Fig. 10

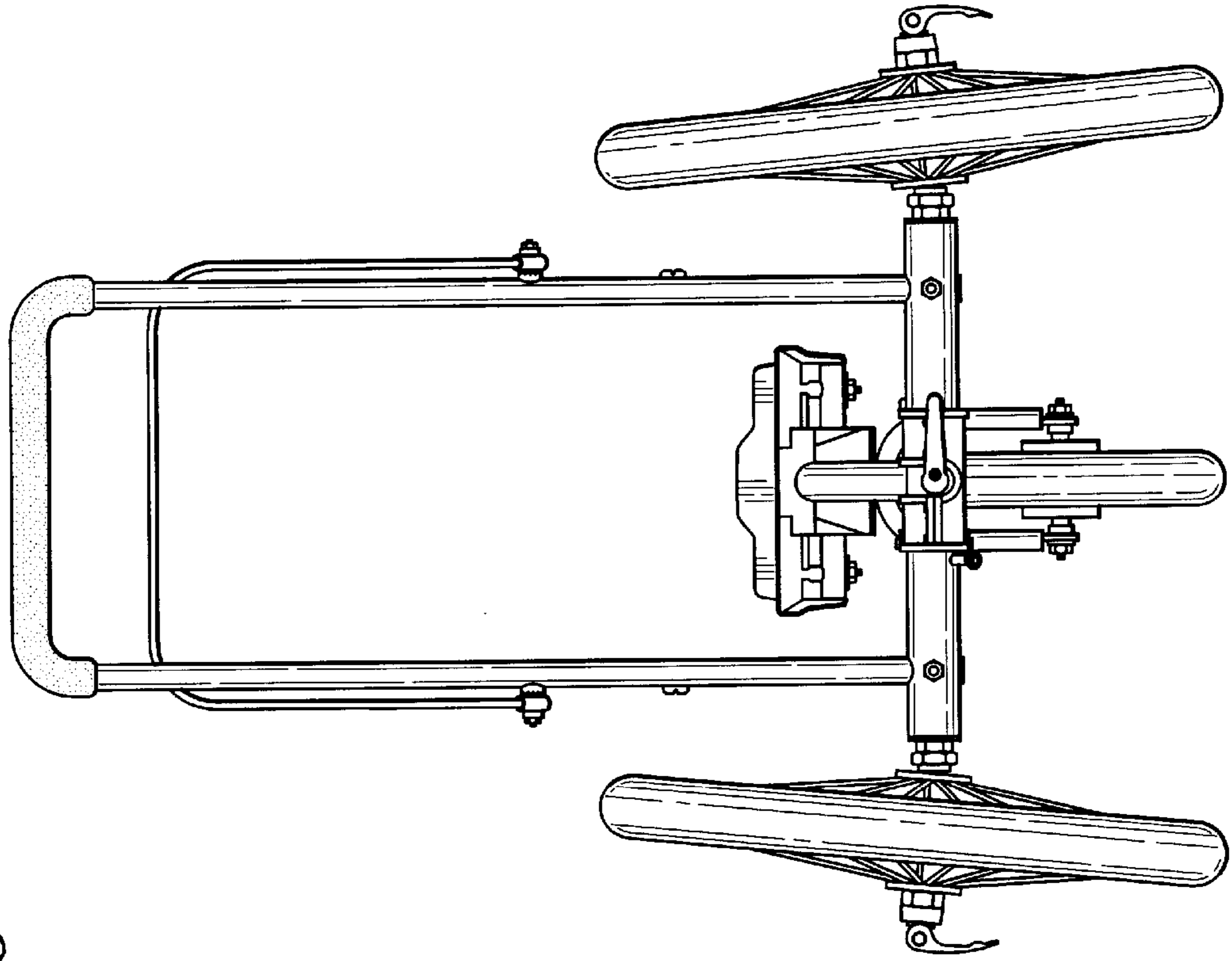


Fig. 9

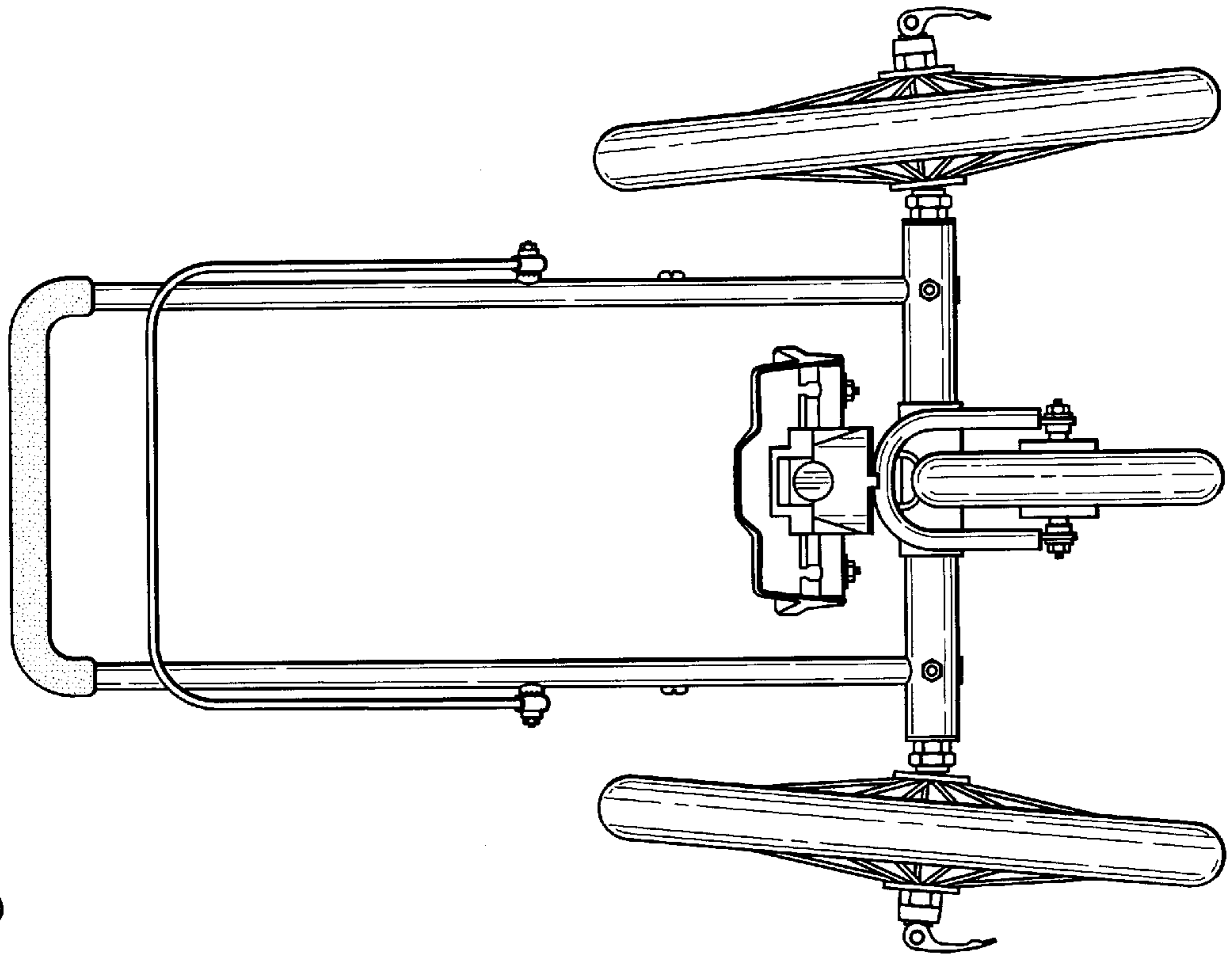


Fig. 12

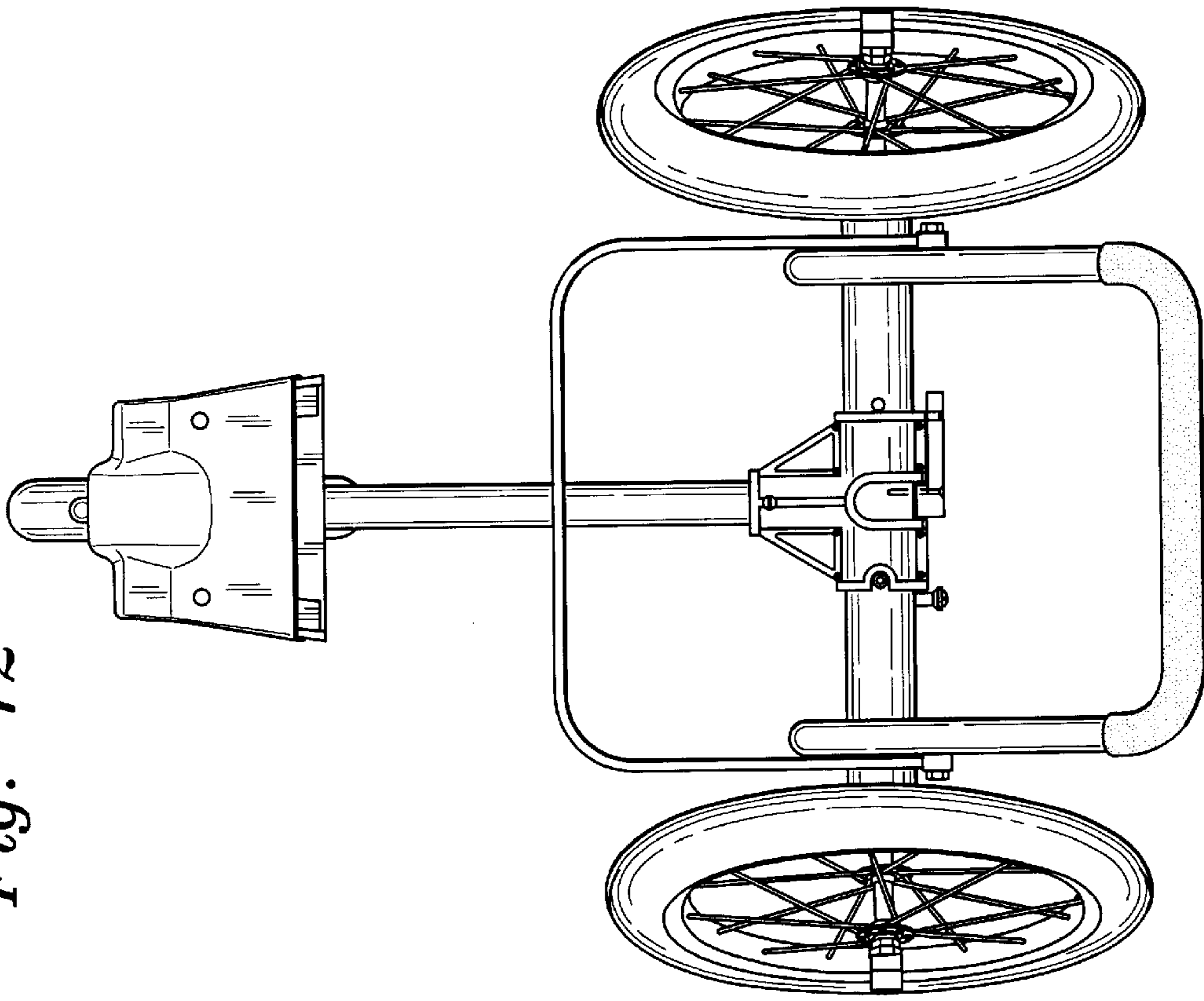


Fig. 11

