



US00D419110S

United States Patent [19]

Allen et al.

[11] **Patent Number: Des. 419,110**

[45] **Date of Patent: ** Jan. 18, 2000**

[54] **DESIGN FOR BICYCLE FRAME**

[75] Inventors: **David J. Allen**, Lawrenceburg; **David R. Rush**, Murfreesboro; **Paul T. Wallace**, Lewisburg, all of Tenn.

[73] Assignee: **Murray, Inc.**, Brentwood, Tenn.

[**] Term: **14 Years**

[21] Appl. No.: **29/104,990**

[22] Filed: **May 14, 1999**

[51] **LOC (7) Cl.** **12-11**

[52] **U.S. Cl.** **D12/111**

[58] **Field of Search** D12/111, 117;
280/280.1, 288.1, 288.2, 288.3, 267, 259,
251, 255; 228/173.4

[56] **References Cited**

U.S. PATENT DOCUMENTS

D. 244,593 6/1977 Manofsky et al. D12/111

D. 311,508 10/1990 Rieger et al. D12/111
D. 385,229 10/1997 Chan D12/111
D. 405,030 2/1999 Frost et al. D12/111
D. 411,145 6/1999 Shankin D12/111
4,813,591 3/1989 Mueller et al. 228/173.4

Primary Examiner—Pamela Burgess
Attorney, Agent, or Firm—Pillsbury Madison & Sutro LLP

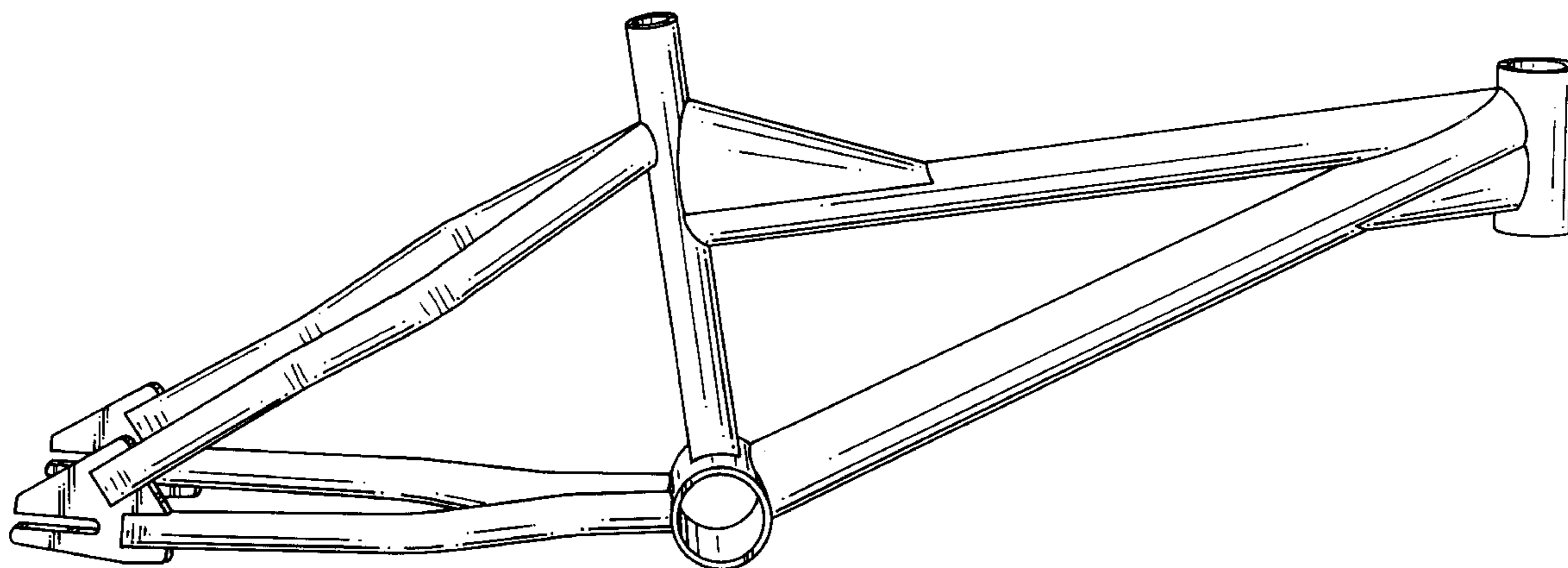
[57] CLAIM

The ornamental design for a bicycle frame, as shown and described.

DESCRIPTION

FIG. 1 is a top right perspective view of a bicycle frame showing our new design;
FIG. 2 is a top plan view thereof; and,
FIG. 3 is a left side elevational view thereof.

1 Claim, 2 Drawing Sheets



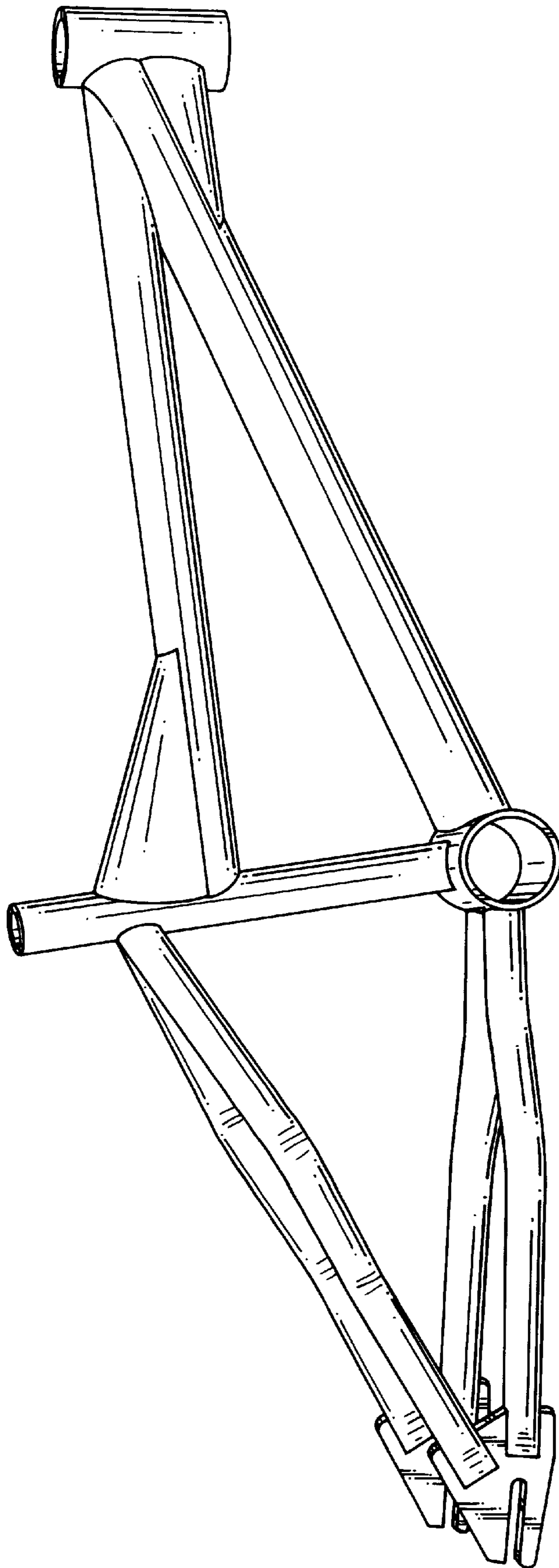


FIG. 1

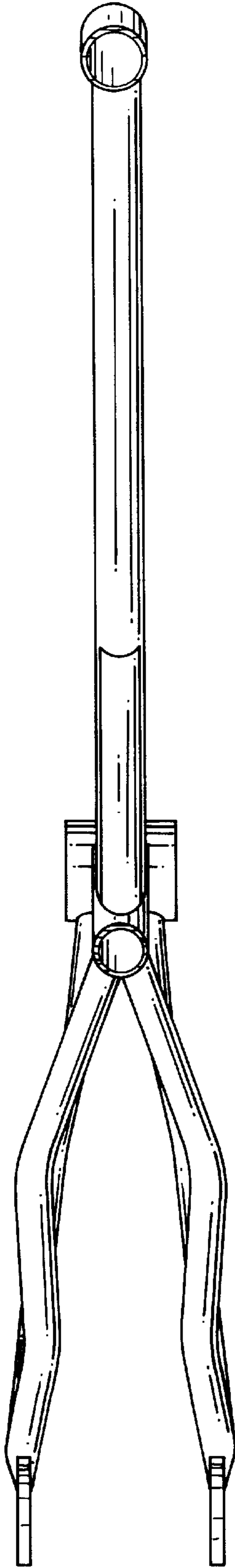


FIG. 2

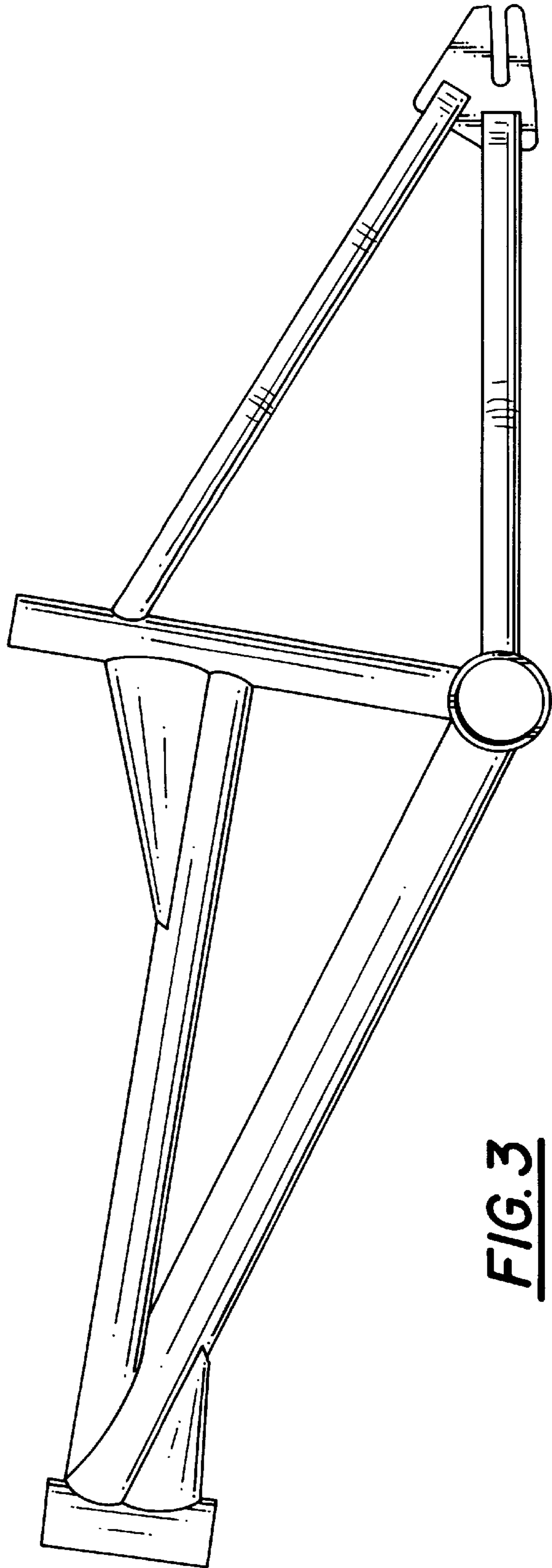


FIG. 3