



US00D419101S

# United States Patent [19] Myers

[11] **Patent Number: Des. 419,101**  
[45] **Date of Patent: \*\* Jan. 18, 2000**

[54] **PROTECTOR FOR WRIST WATCH LENS OR THE LIKE**

4,916,679 4/1990 Agnello .  
4,939,913 7/1990 Scungio et al. .  
5,272,682 12/1993 Falcone .

[76] Inventor: **Charles E. Myers**, 10624 S. Wasatch Blvd., Sandy, Utah 84092

[\*\*] Term: **14 Years**

[21] Appl. No.: **29/098,646**

[22] Filed: **Jan. 4, 1999**

### FOREIGN PATENT DOCUMENTS

102641 12/1916 United Kingdom .  
105694 4/1917 United Kingdom .  
106357 5/1917 United Kingdom .  
103815 6/1917 United Kingdom .  
110048 10/1917 United Kingdom .

### Related U.S. Application Data

[62] Division of application No. 29/075,088, Aug. 12, 1997, Pat. No. Des. 410,865.

[51] **LOC (7) Cl.** ..... **10-02**

[52] **U.S. Cl.** ..... **D10/132**

[58] **Field of Search** ..... D10/132; 368/286, 368/296

*Primary Examiner*—Nelson C. Holtje  
*Attorney, Agent, or Firm*—Trask, Britt & Rossa

### [57] CLAIM

The ornamental design for a protector for a wrist watch lens or the like, as shown and described.

### DESCRIPTION

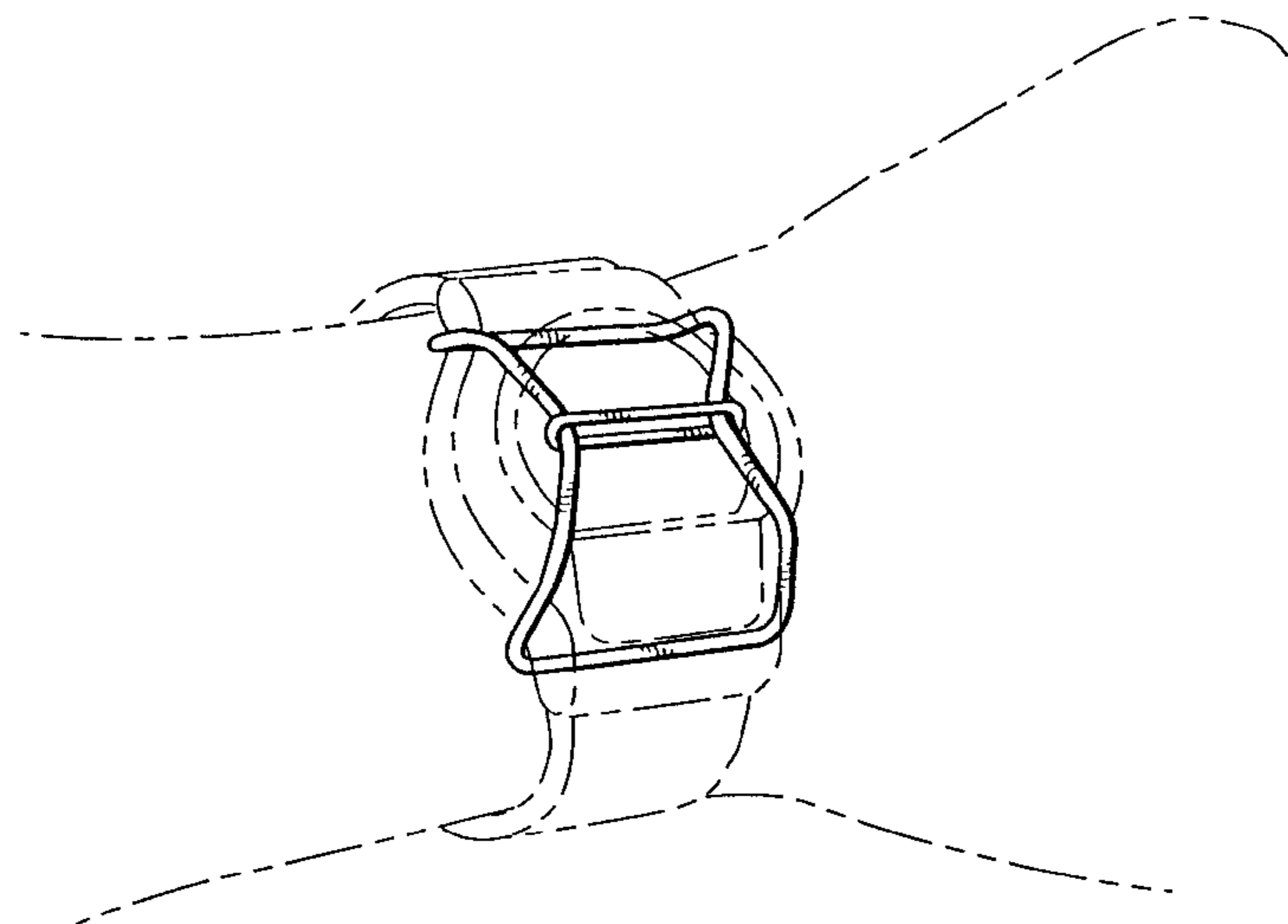
FIG. 1 is a front view of a protector for a wrist lens or the like showing my new design; the broken lines showing the user's hand and wrist watch or the like are for illustrative purposes only, and form no part of the claimed design; FIG. 2 is a top elevational view of my new design; the broken lines showing the wrist watch or the like are for illustrative purposes only, and form no part of the claimed design; FIG. 3 is a bottom view of my new design; the broken lines showing the wrist watch or the like are for illustrative purposes only, and form no part of the claimed design; FIG. 4 is a first side view of my new design; the broken lines showing the wrist watch or the like are for illustrative purposes only, and form no part of the claimed design; FIG. 5 is a second side view of my new design; the broken lines showing the wrist watch or the like are for illustrative purposes only, and form no part of the claimed design; FIG. 6 is a rear view of my new design; the broken lines showing the wrist watch or the like are for illustrative purposes only, and form no part of the claimed design; and, FIG. 7 is a front view of my new design; the broken lines showing the wrist watch or the like are for illustrative purposes only, and form no part of the claimed design.

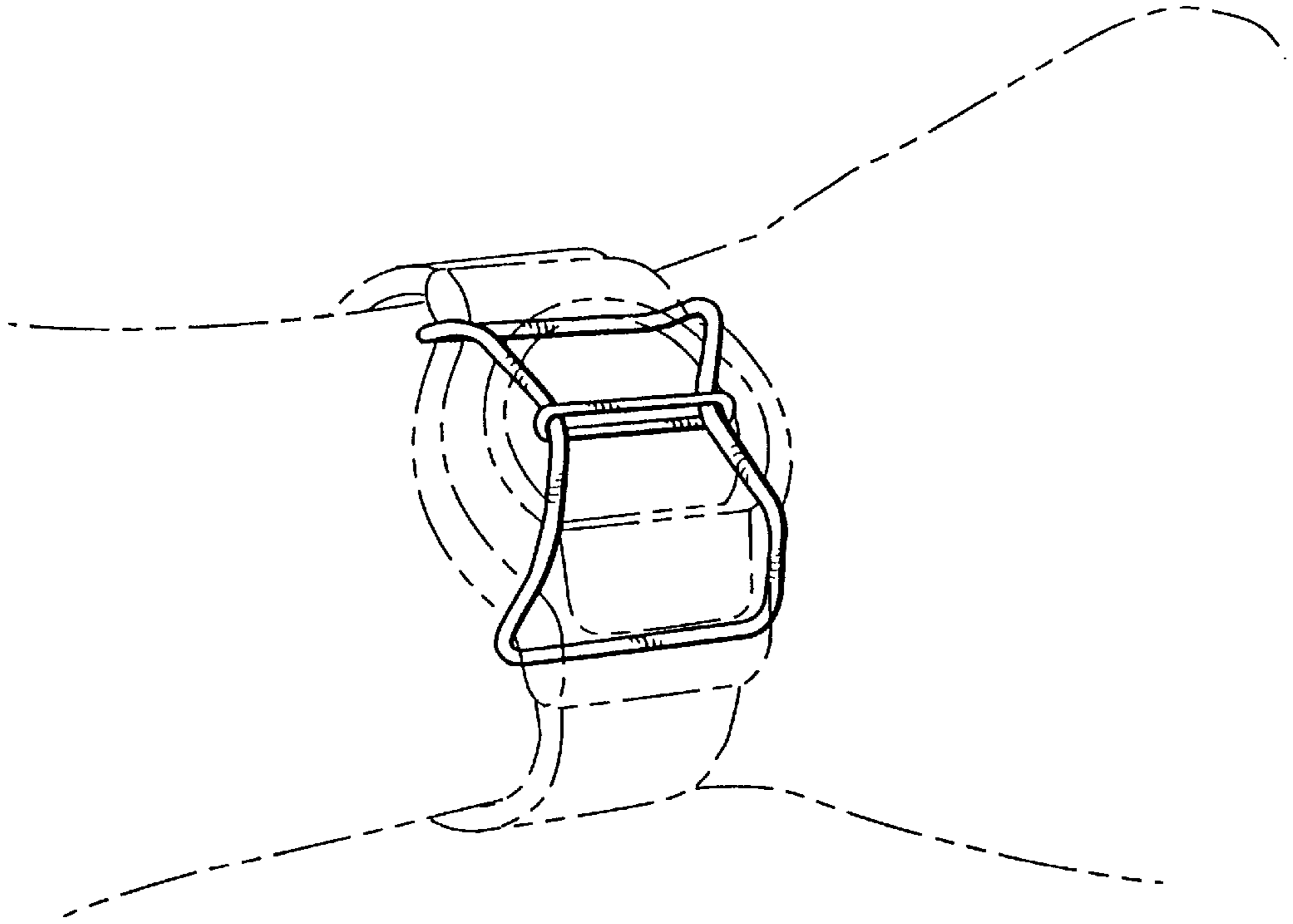
### [56] References Cited

#### U.S. PATENT DOCUMENTS

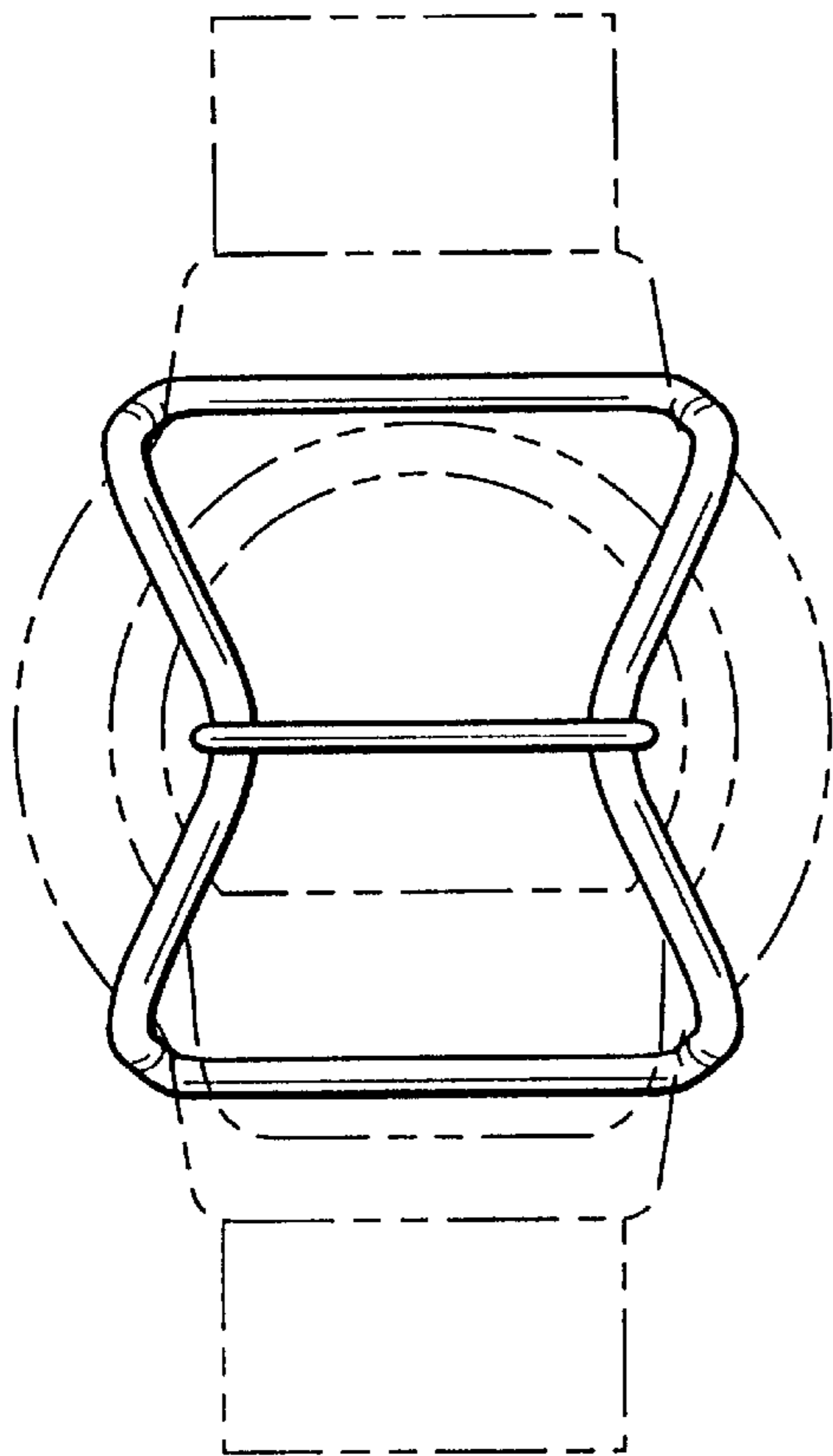
D. 51,182 8/1917 Lederer ..... D10/132  
D. 79,166 8/1929 Roth .  
D. 292,678 11/1987 Takeichi ..... D10/39  
D. 310,033 8/1990 Ito ..... D10/30  
D. 310,049 8/1990 Hartman et al. .  
D. 316,050 4/1991 Weil .  
D. 334,543 4/1993 Falcone .  
1,199,256 9/1916 Farr .  
1,249,906 12/1917 Daw .  
2,511,105 6/1950 Fenyvessy .  
2,565,822 8/1951 McClelland ..... 368/286  
2,582,473 1/1952 Belfert .  
2,635,416 4/1953 Mietchen .  
3,584,455 6/1971 Slon .  
3,712,049 1/1973 Luxembourg .  
4,155,219 5/1979 Anderson .  
4,277,842 7/1981 Richards .  
4,459,038 7/1984 Lederrey .  
4,511,261 4/1985 Mishima .  
4,592,660 6/1986 Hartman et al. .  
4,742,503 5/1988 Braun et al. .  
4,835,750 5/1989 Quincey .  
4,837,756 6/1989 Hartman et al. .

**1 Claim, 2 Drawing Sheets**

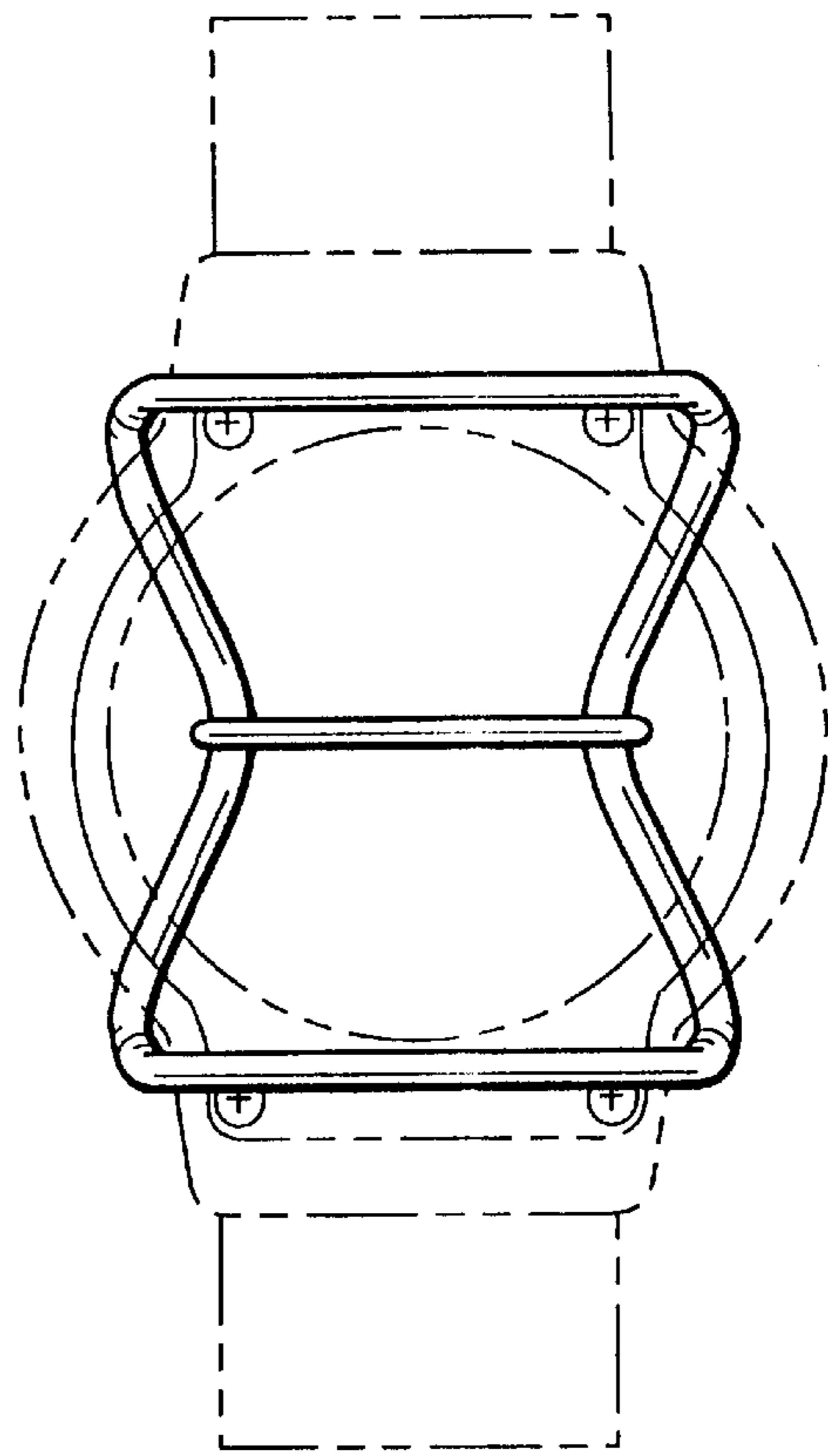




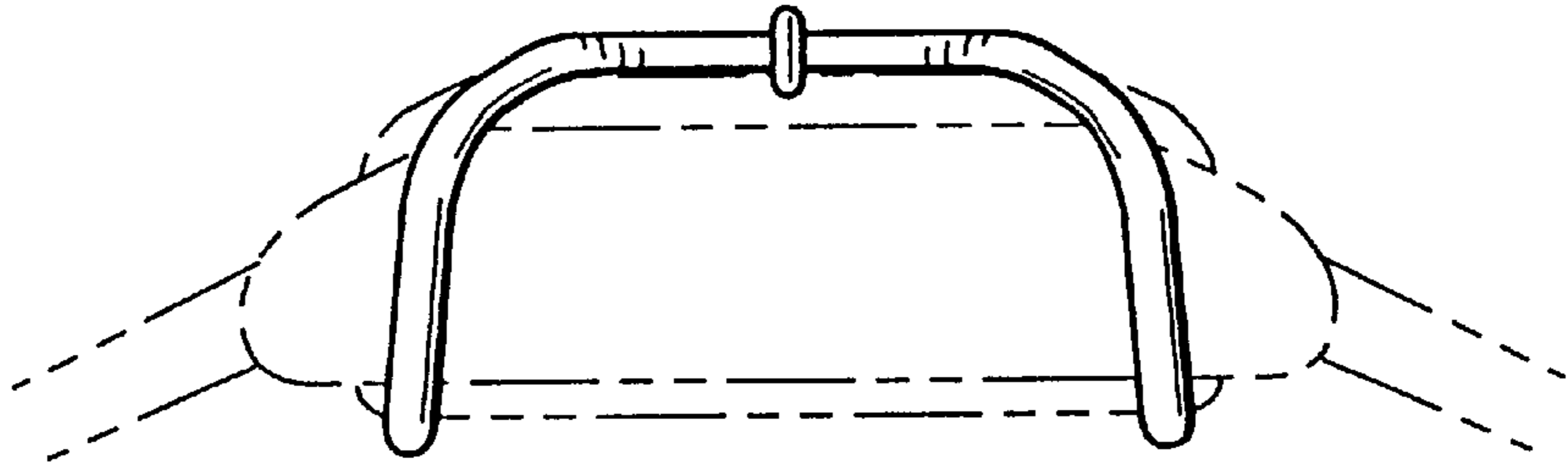
**Fig. 1**



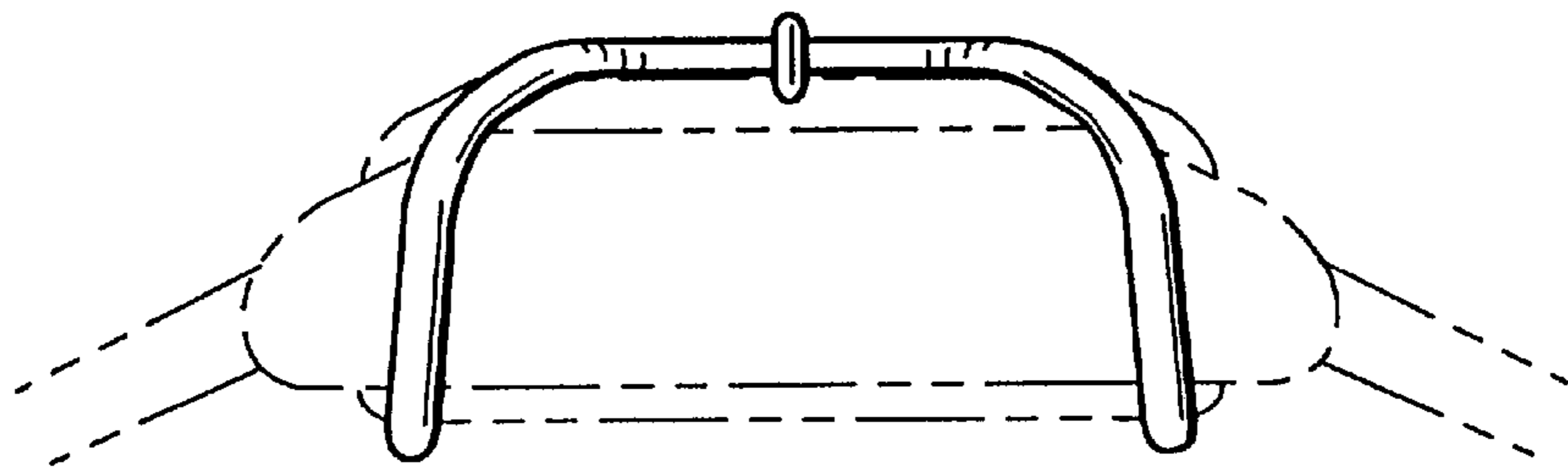
**Fig. 2**



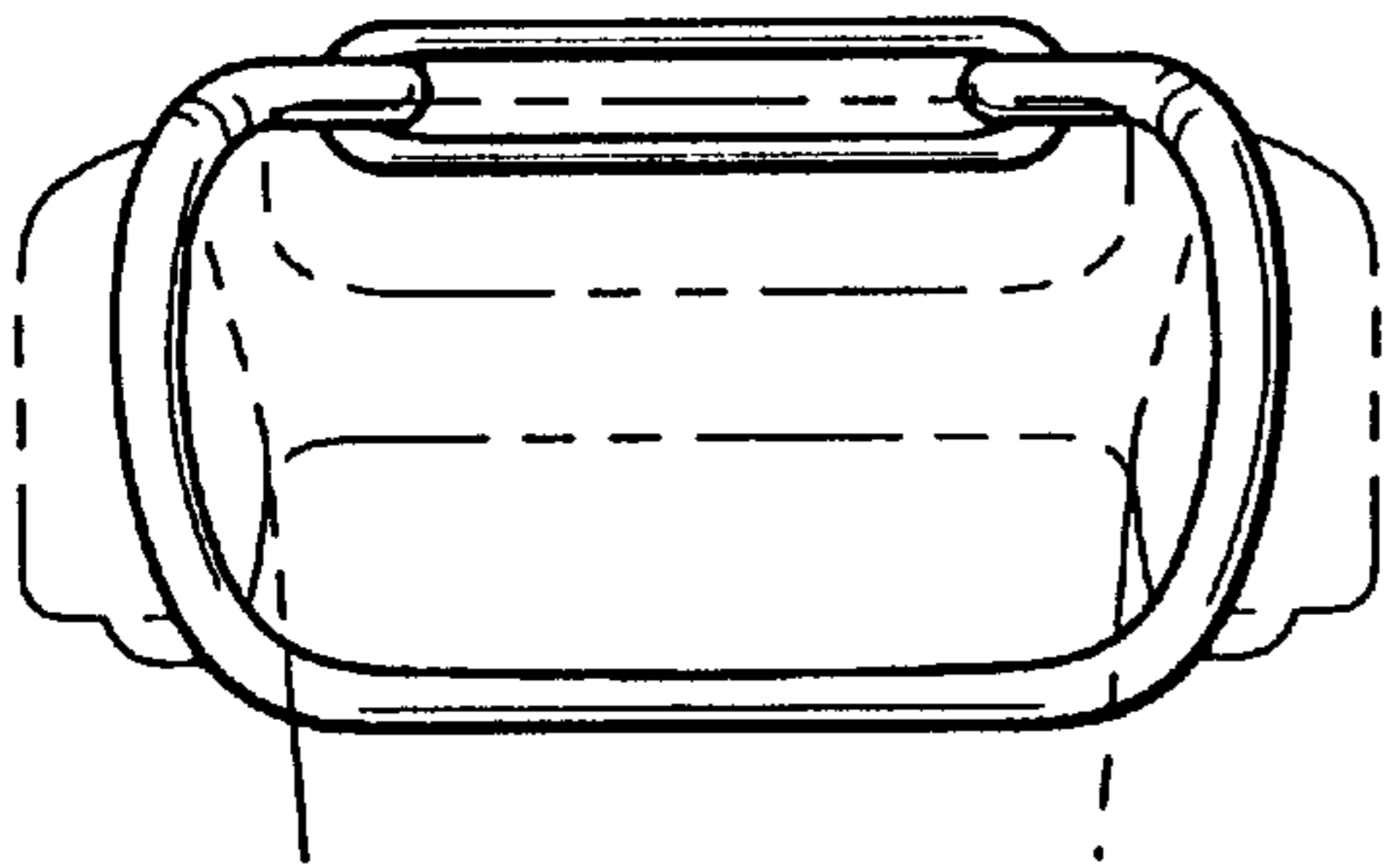
**Fig. 3**



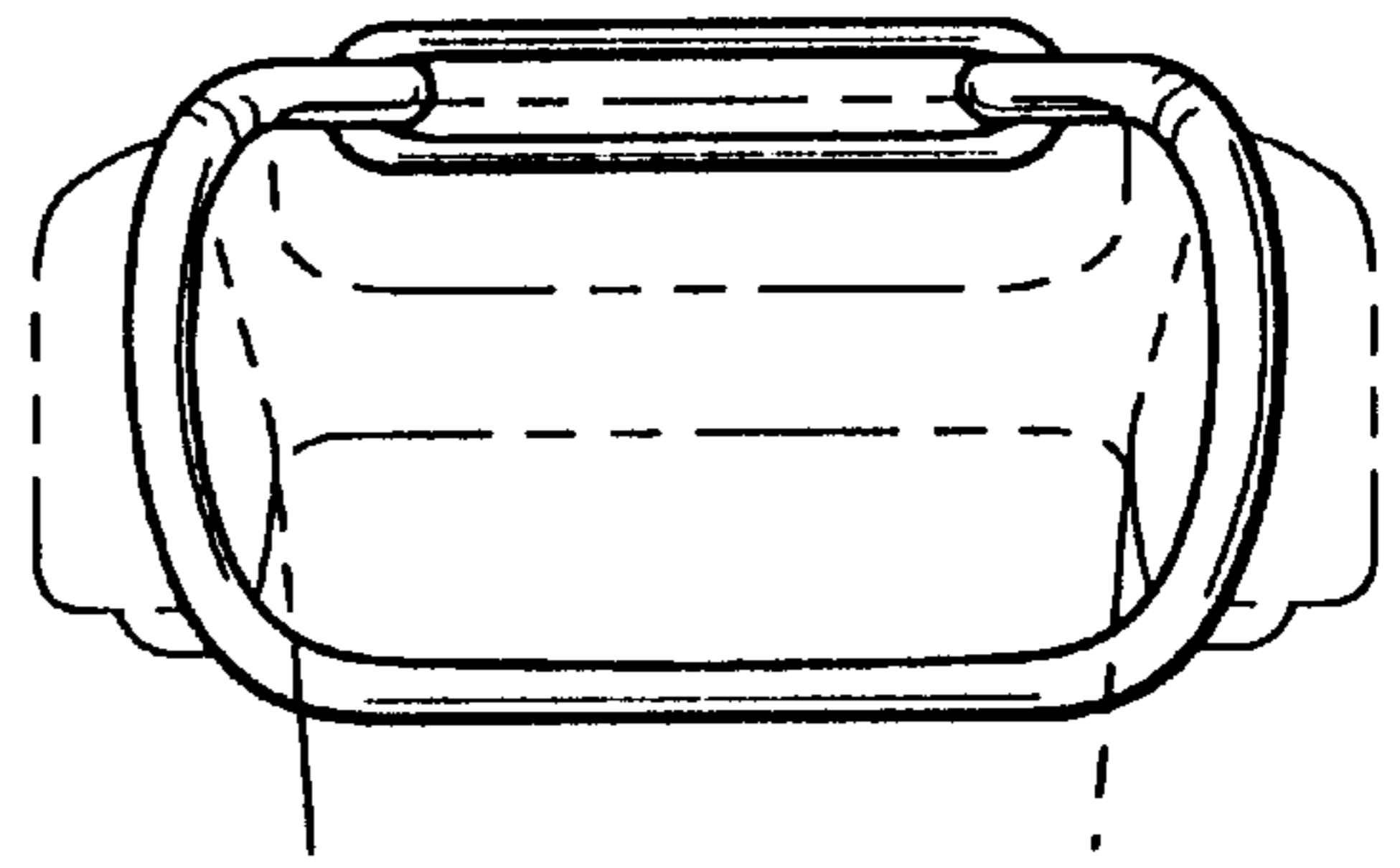
**Fig. 4**



**Fig. 5**



**Fig. 6**



**Fig. 7**