



US00D419099S

# United States Patent [19] Chen

[11] **Patent Number: Des. 419,099**

[45] **Date of Patent: \*\* Jan. 18, 2000**

[54] **CAR HORN**

[75] Inventor: **Fu-Chih Chen**, Tainan Hsien, Taiwan

[73] Assignee: **Fu-Chang Chen**, Tainan Hsien, Taiwan

[\*\*] Term: **14 Years**

[21] Appl. No.: **29/092,535**

[22] Filed: **Aug. 21, 1998**

[51] **LOC (7) Cl. .... 10-05**

[52] **U.S. Cl. .... D10/120**

[58] **Field of Search** ..... D10/116, 119,  
D10/120, 121; 116/103, 112, 137 R, 147,  
151, 149; 340/384 R, 388, 392

[56] **References Cited**

**U.S. PATENT DOCUMENTS**

D. 122,160	8/1940	Curtis	.....	D10/120
D. 124,996	2/1941	Curtis	.....	D10/120
D. 125,347	2/1941	Peo	.....	D10/120
D. 138,406	8/1944	Hadley	.....	D10/120

D. 240,805	8/1976	Reinhart	.....	D10/120
D. 323,128	1/1992	Moran	.....	D10/120
D. 378,921	4/1997	Bohannon	.....	D10/120
D. 404,674	1/1999	Chen	.....	D10/120

*Primary Examiner*—Marcus A. Jackson  
*Attorney, Agent, or Firm*—Vedder, Price, Kaufman & Kammholz

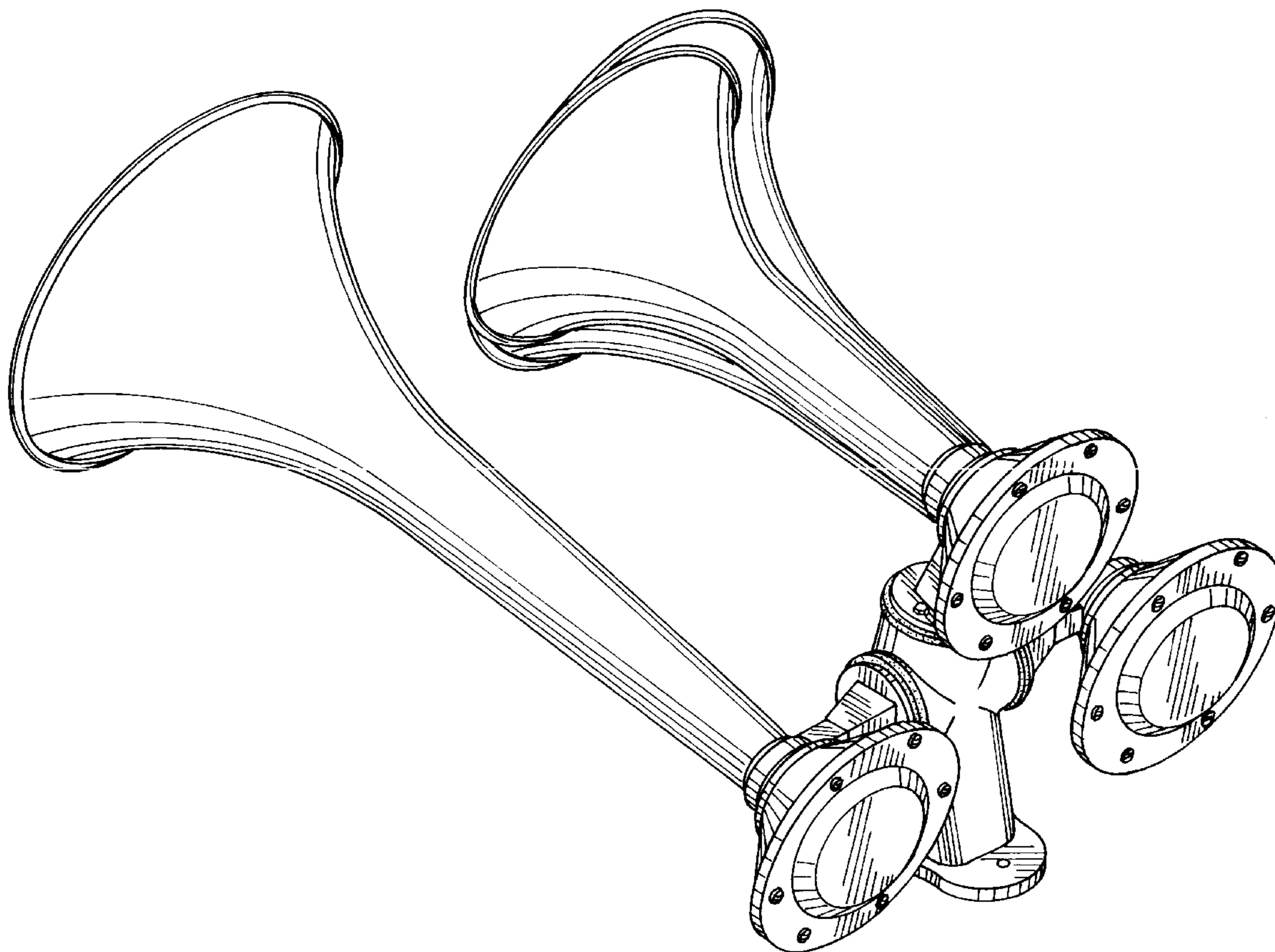
[57] **CLAIM**

The ornamental design for car horn, as shown and described.

**DESCRIPTION**

FIG. 1 is a perspective view of car horn showing my new design;  
FIG. 2 is a front elevational view thereof;  
FIG. 3 is a rear elevational view thereof;  
FIG. 4 is a left side elevational view thereof;  
FIG. 5 is a right side elevational view thereof;  
FIG. 6 is a top plan view thereof; and,  
FIG. 7 is a bottom plan view thereof.

**1 Claim, 6 Drawing Sheets**



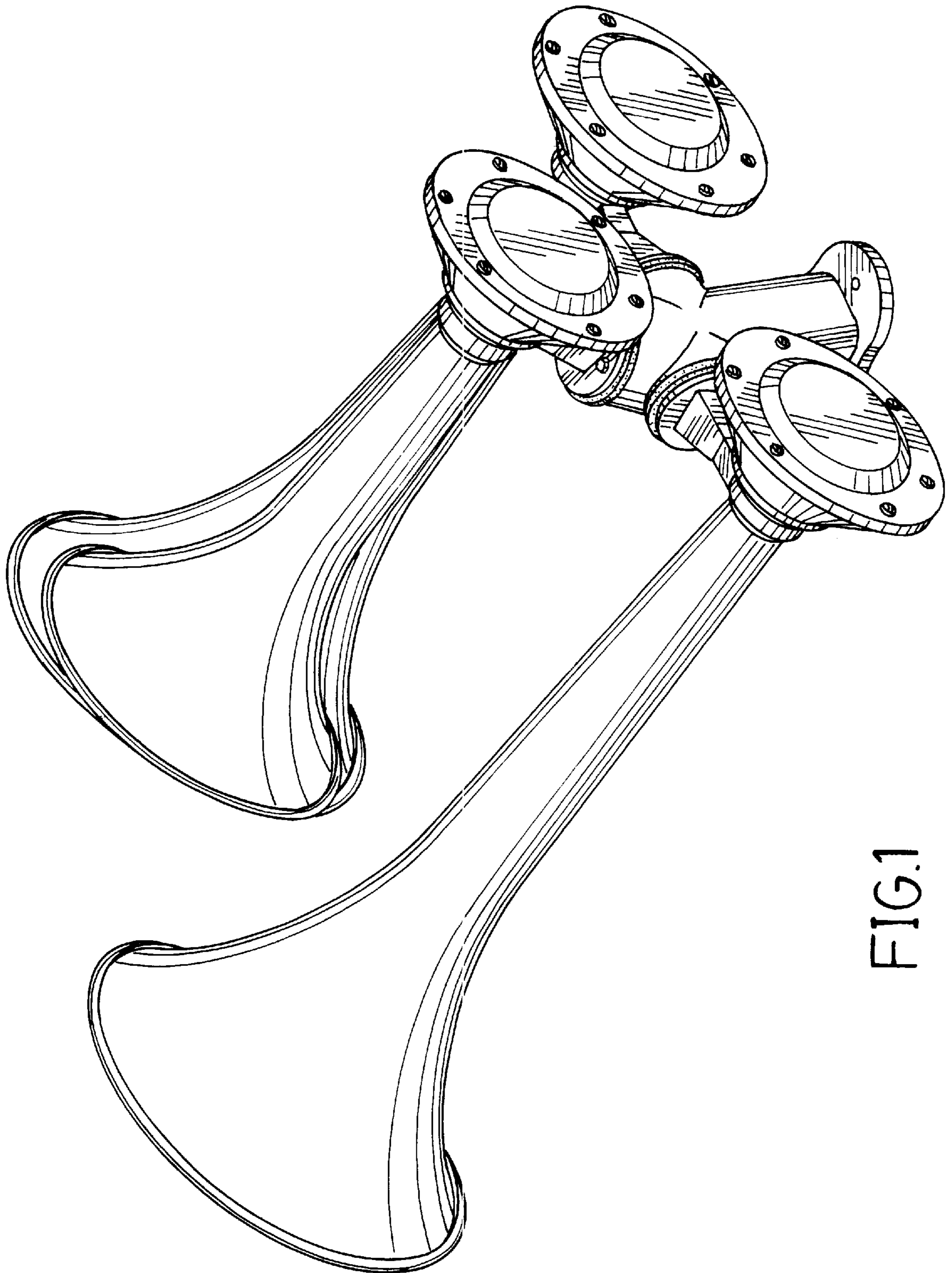


FIG.1

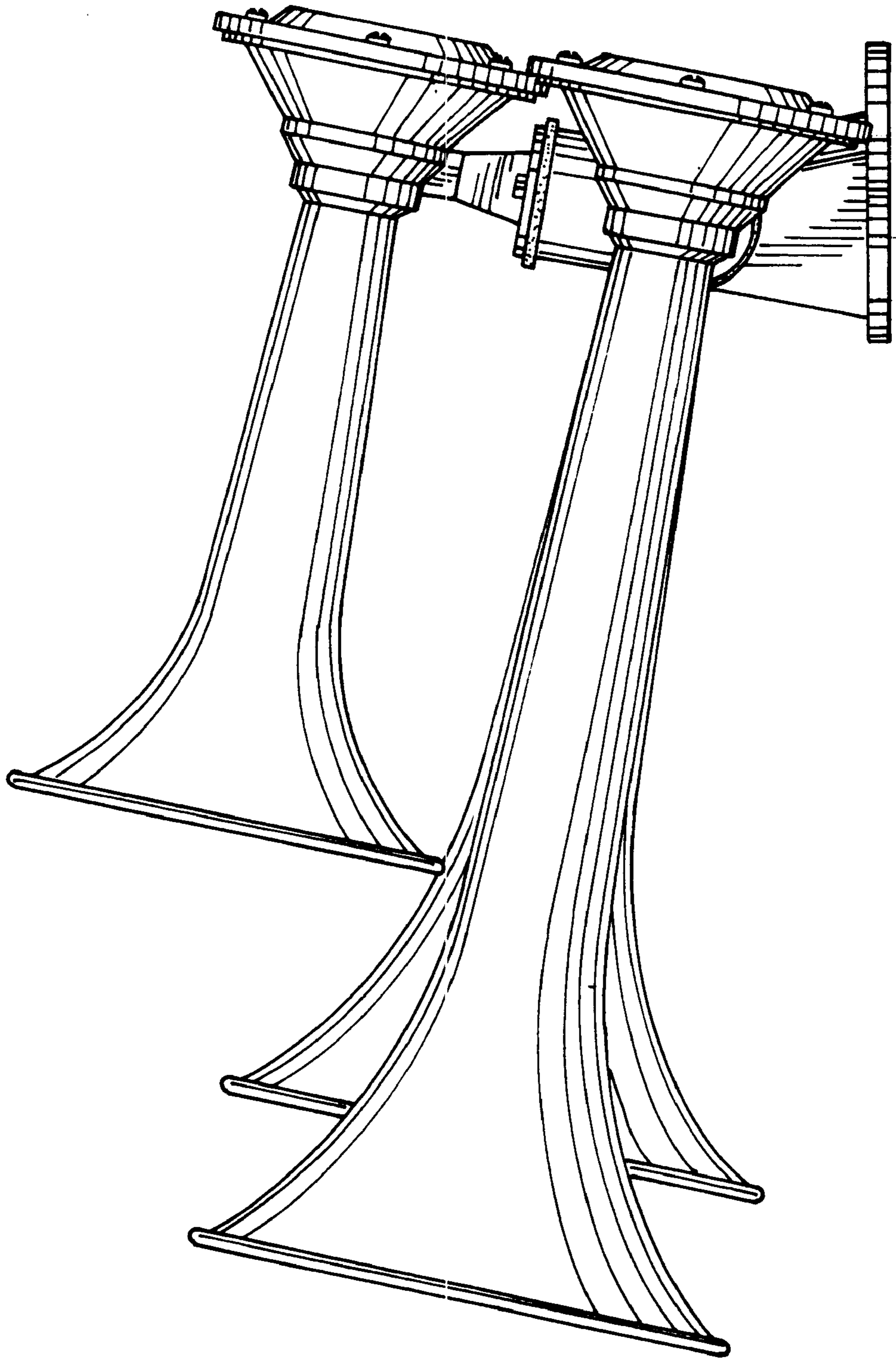


FIG. 2

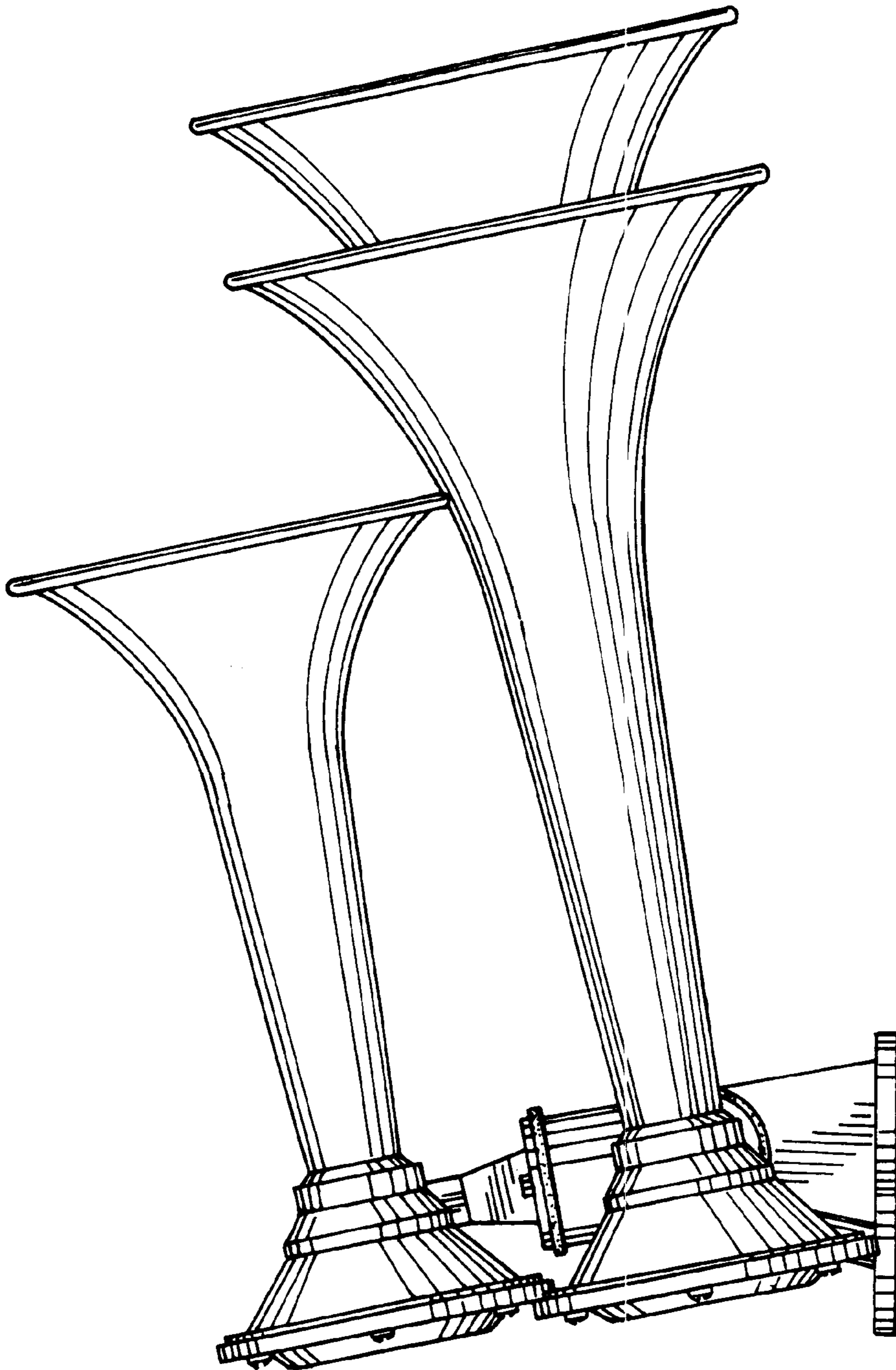


FIG. 3

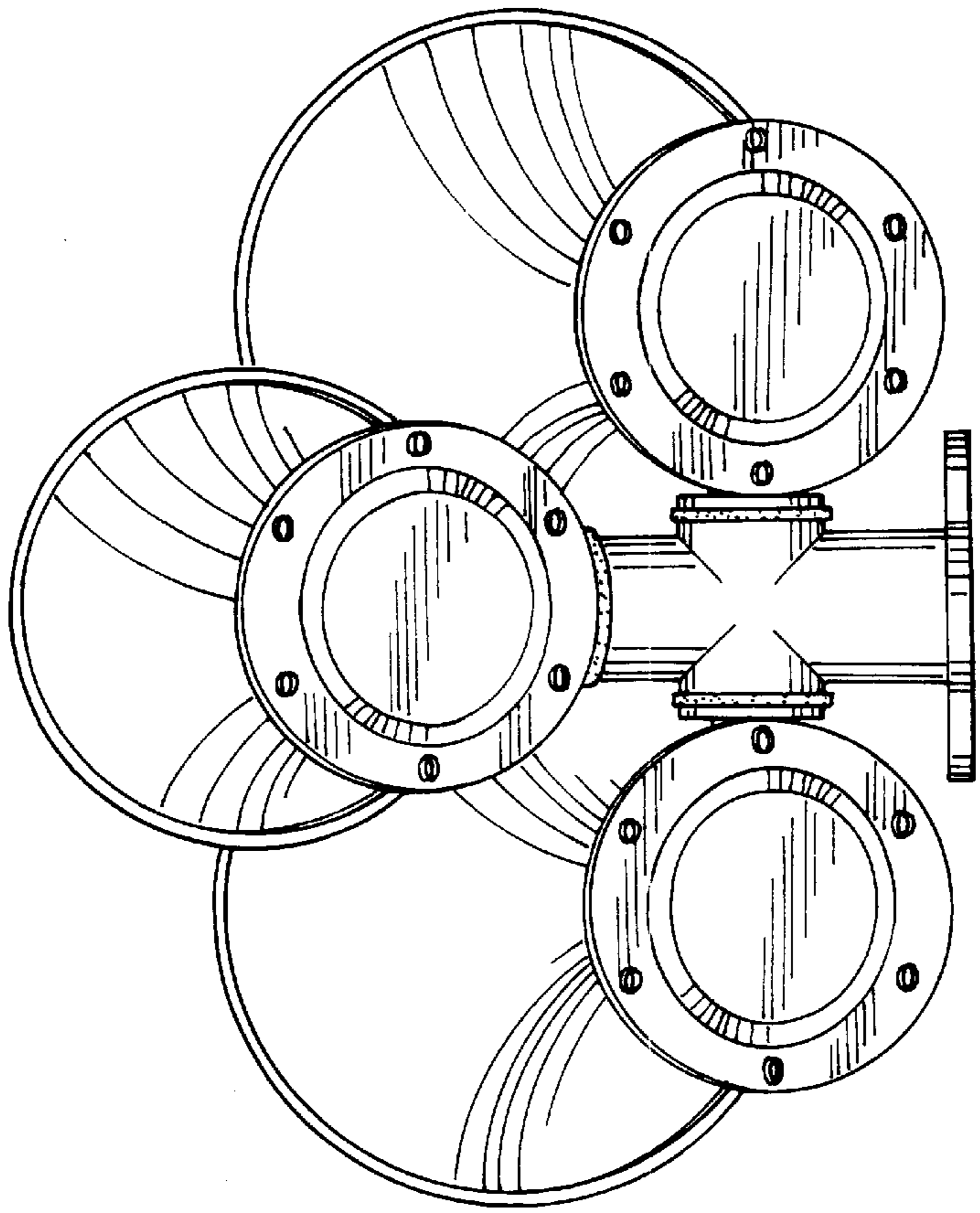


FIG.5

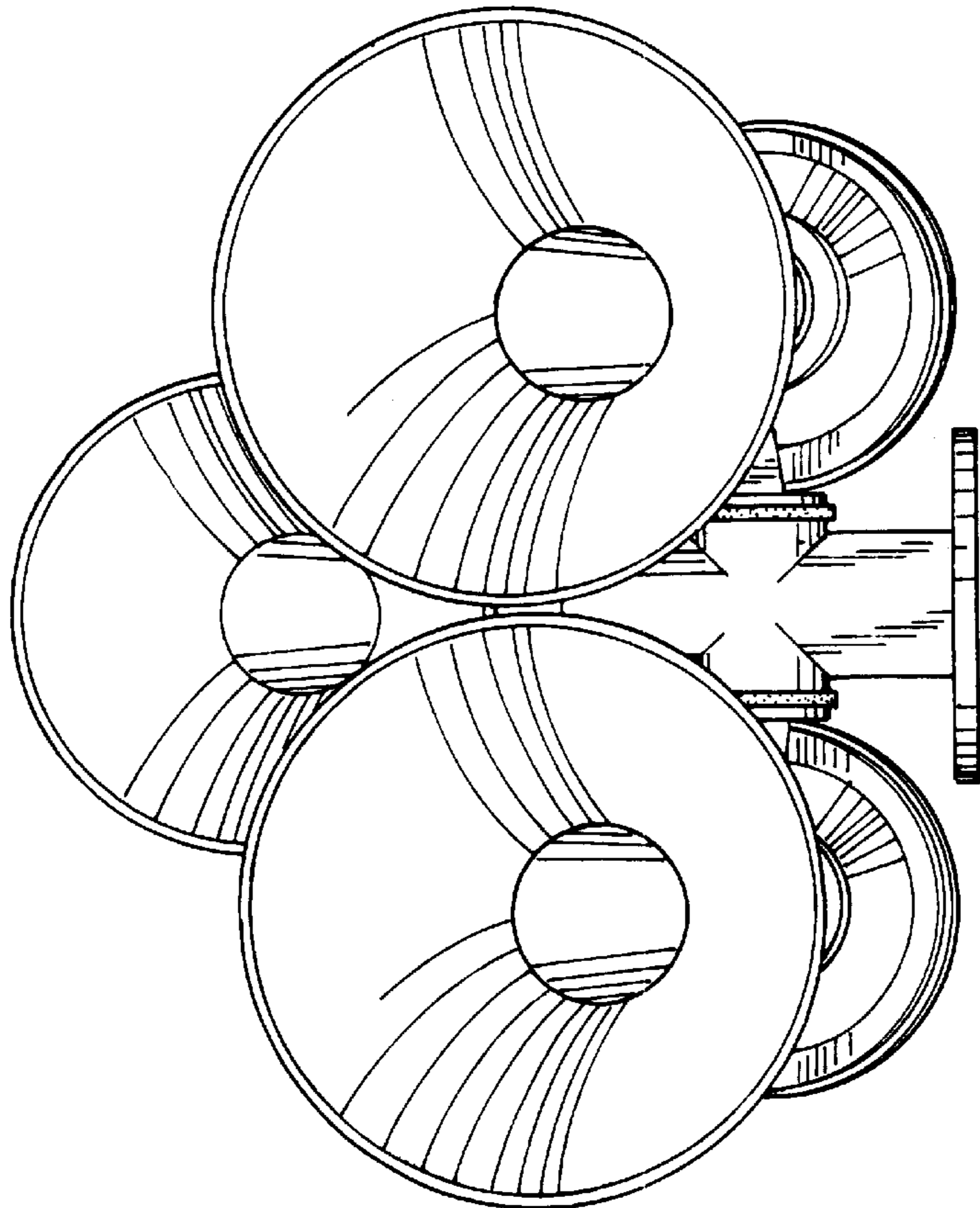


FIG.4

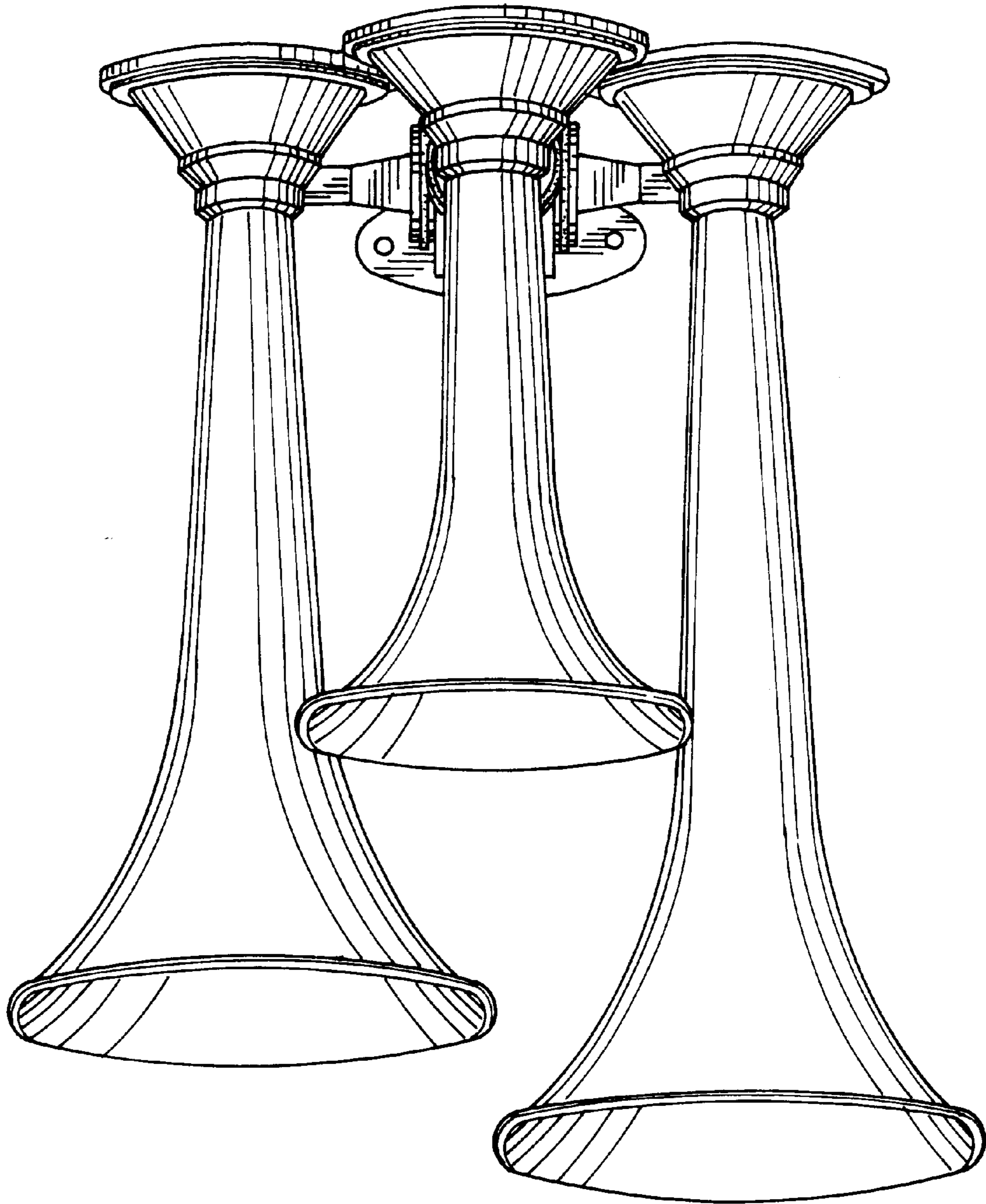


FIG.6

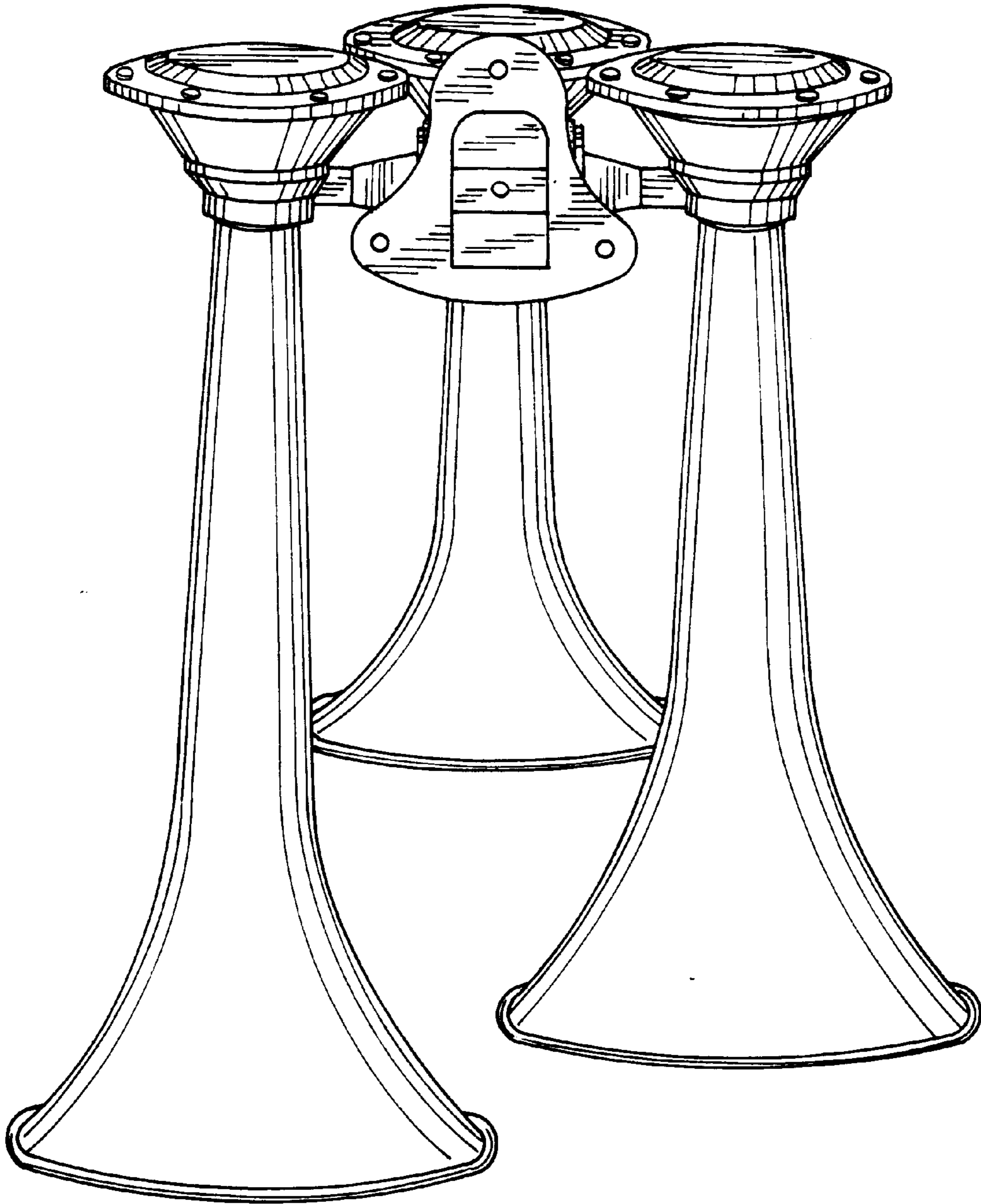


FIG.7