



US00D419098S

# United States Patent [19] Evans

[11] Patent Number: Des. 419,098

[45] Date of Patent: \*\* Jan. 18, 2000

[54] WIND CHIMES

5,648,624 7/1997 Smith ..... D10/116  
5,744,736 4/1998 Chang ..... D10/116

[76] Inventor: **Carla Y Evans**, 6711 Saufley Pines Rd., Pensacola, Fla. 32526

Primary Examiner—Marcus A. Jackson

[\*\*] Term: 14 Years

[57] CLAIM

[21] Appl. No.: 29/102,121

The ornamental design for wind chimes, as shown and described.

[22] Filed: Mar. 18, 1999

### DESCRIPTION

[51] LOC (7) Cl. .... 10-05

[52] U.S. Cl. .... D10/116; D11/141

[58] Field of Search ..... D10/104, 116, D10/118, 119, 121; D11/141, 142; D17/10, 99; 84/403, 404, 406; 116/141, 169

FIG. 1 is a front elevational view of the wind chimes of the present invention;

FIG. 2 is a back elevational view of the wind chimes of FIG. 1;

FIG. 3 is a left side elevational view of the wind chimes of FIG. 1;

FIG. 4 is a right side elevational view of the wind chimes of FIG. 1;

FIG. 5 is a top plan view of the wind chimes of FIG. 1; and, FIG. 6 is a bottom plan view of the wind chimes of FIG. 1.

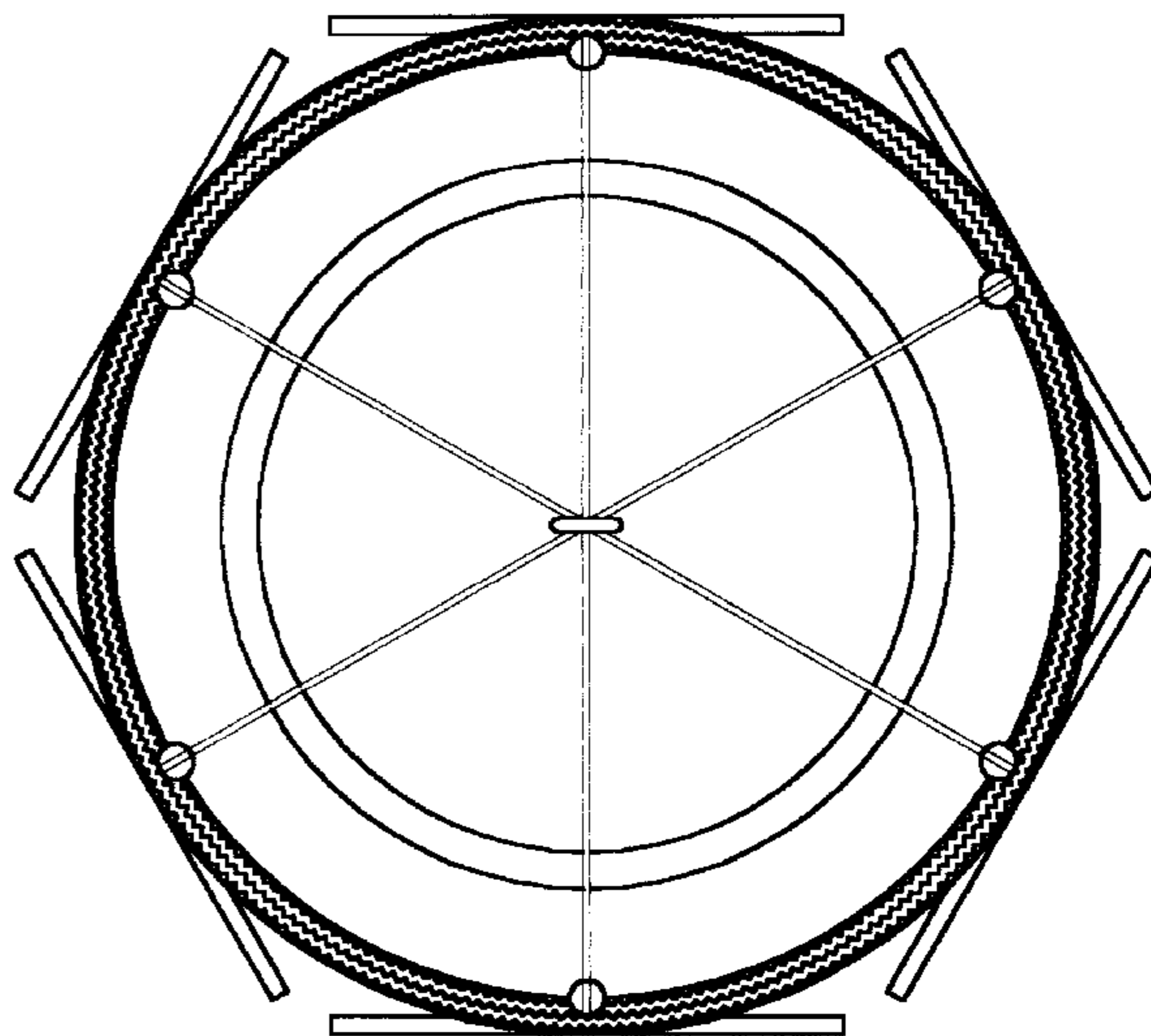
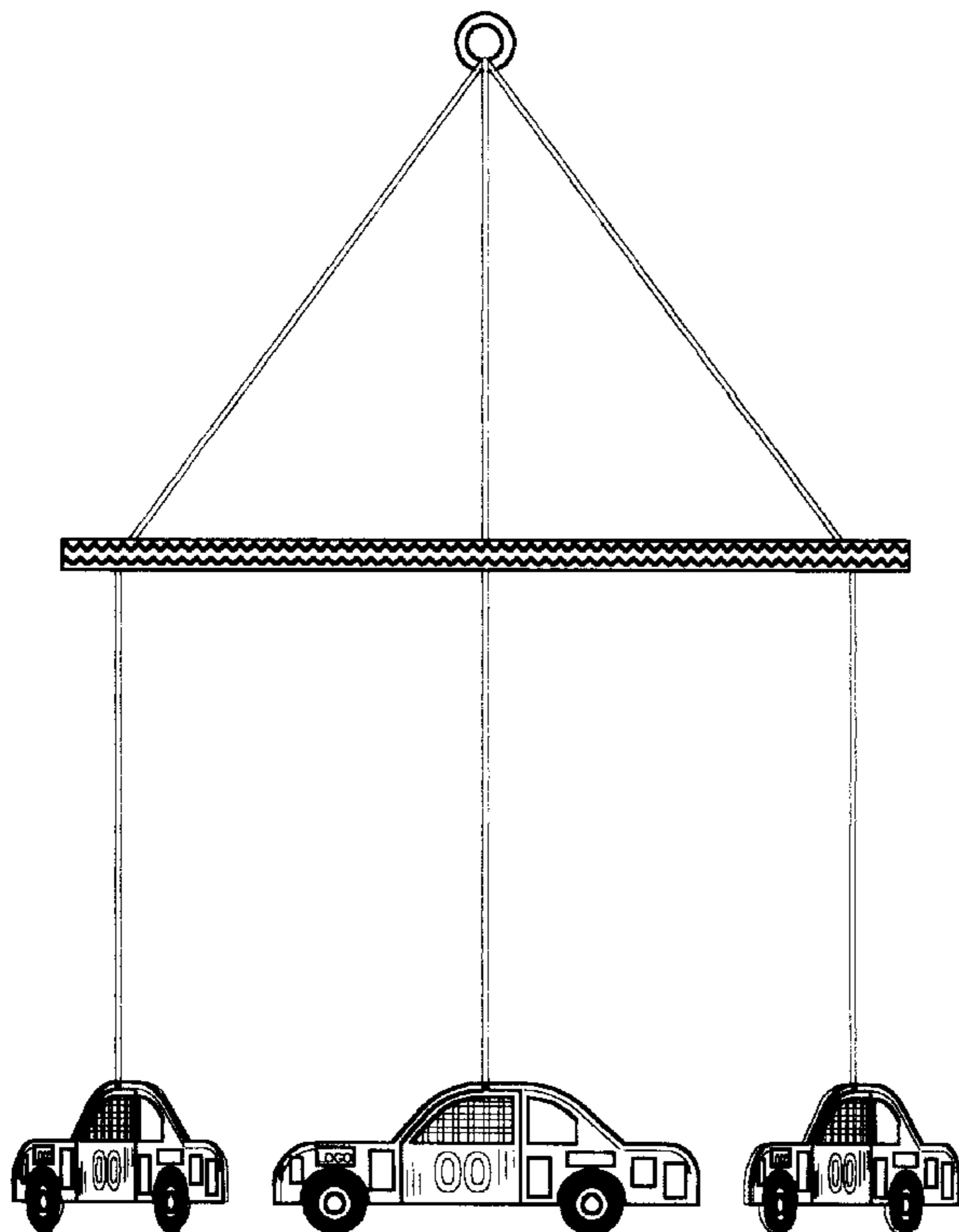
The broken lines showing the word Logo in FIGS. 1 through 6 are for illustrative purposes only and form no part of the claimed design.

### [56] References Cited

#### U.S. PATENT DOCUMENTS

D. 324,000	2/1992	Kvistad	.....	D10/116
D. 362,819	10/1995	Stannard	.....	D10/116
D. 373,547	9/1996	Stratford	.....	D10/116
D. 404,671	1/1999	Stannard	.....	D10/116
D. 404,672	1/1999	Stannard	.....	D10/116
D. 405,709	2/1999	Stannard	.....	D10/116

1 Claim, 3 Drawing Sheets



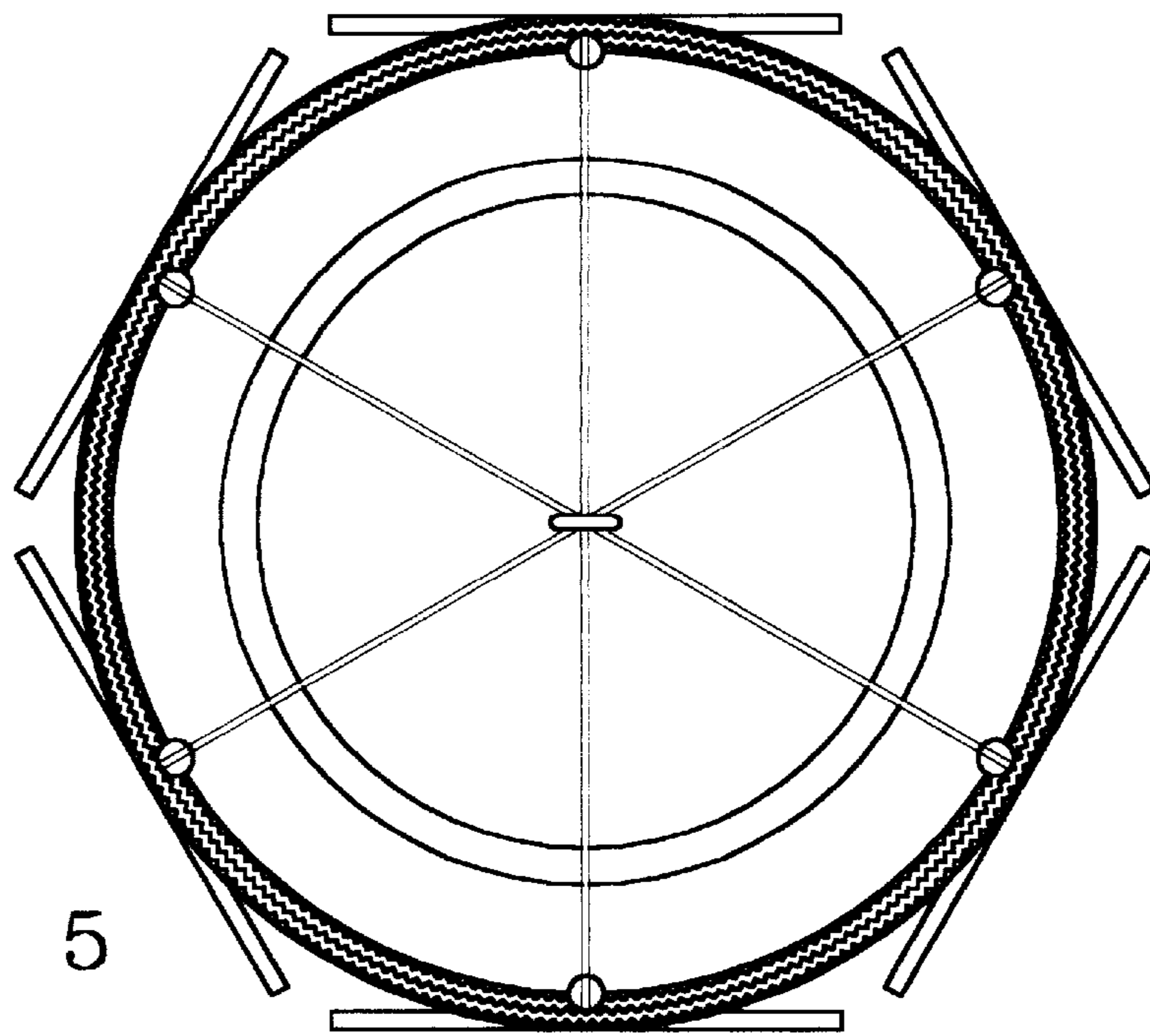


Fig. 5

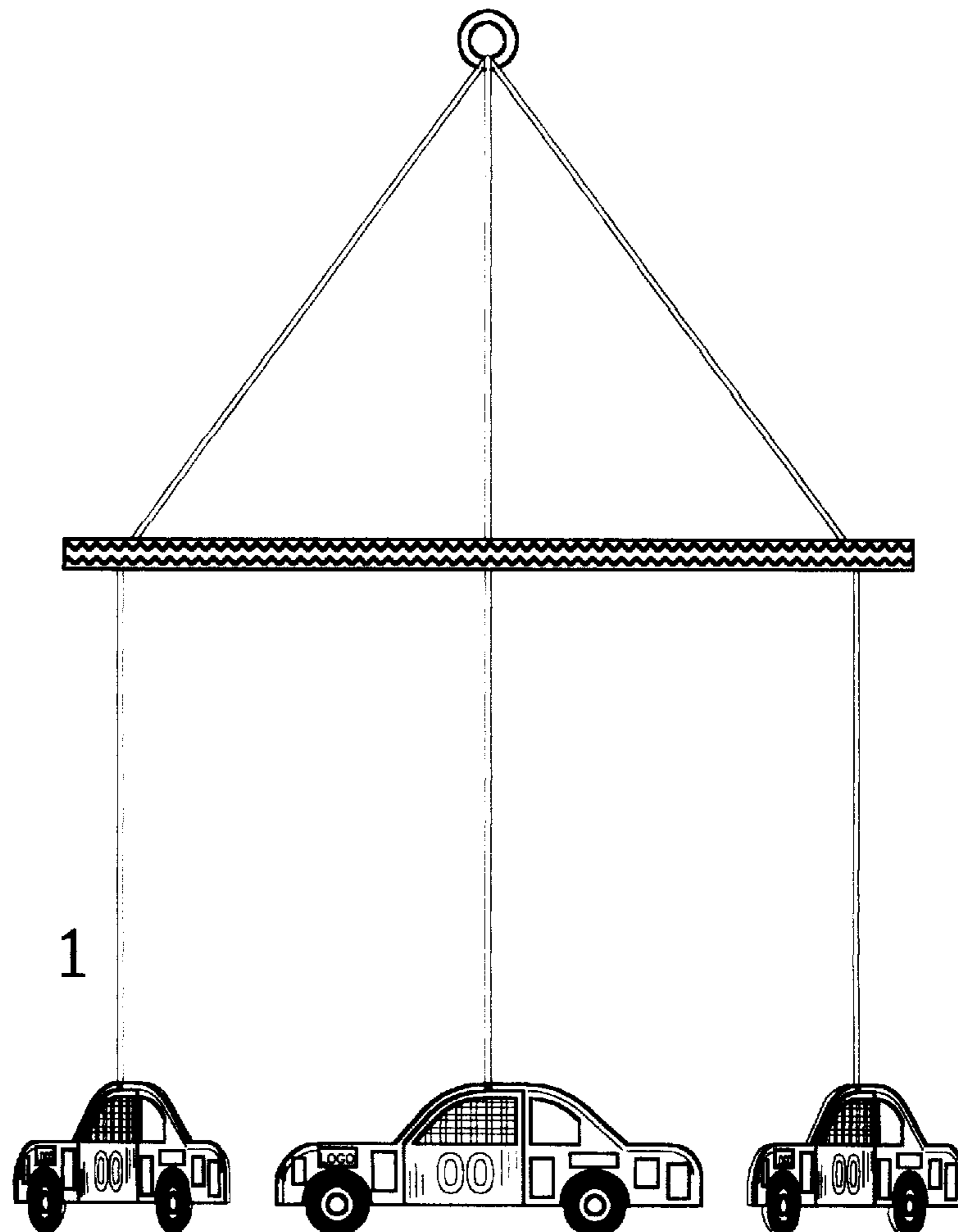


Fig. 1

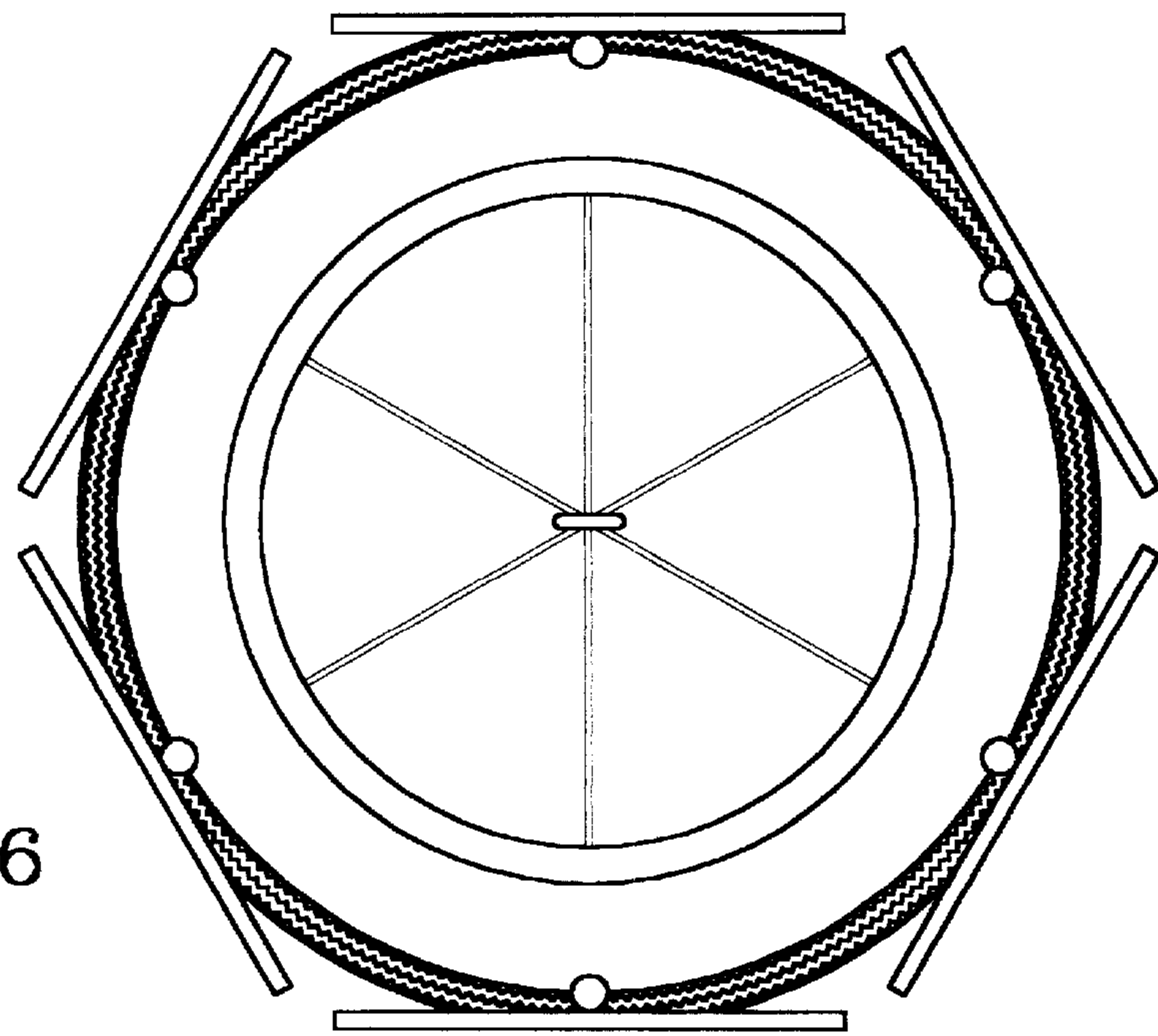


Fig. 6

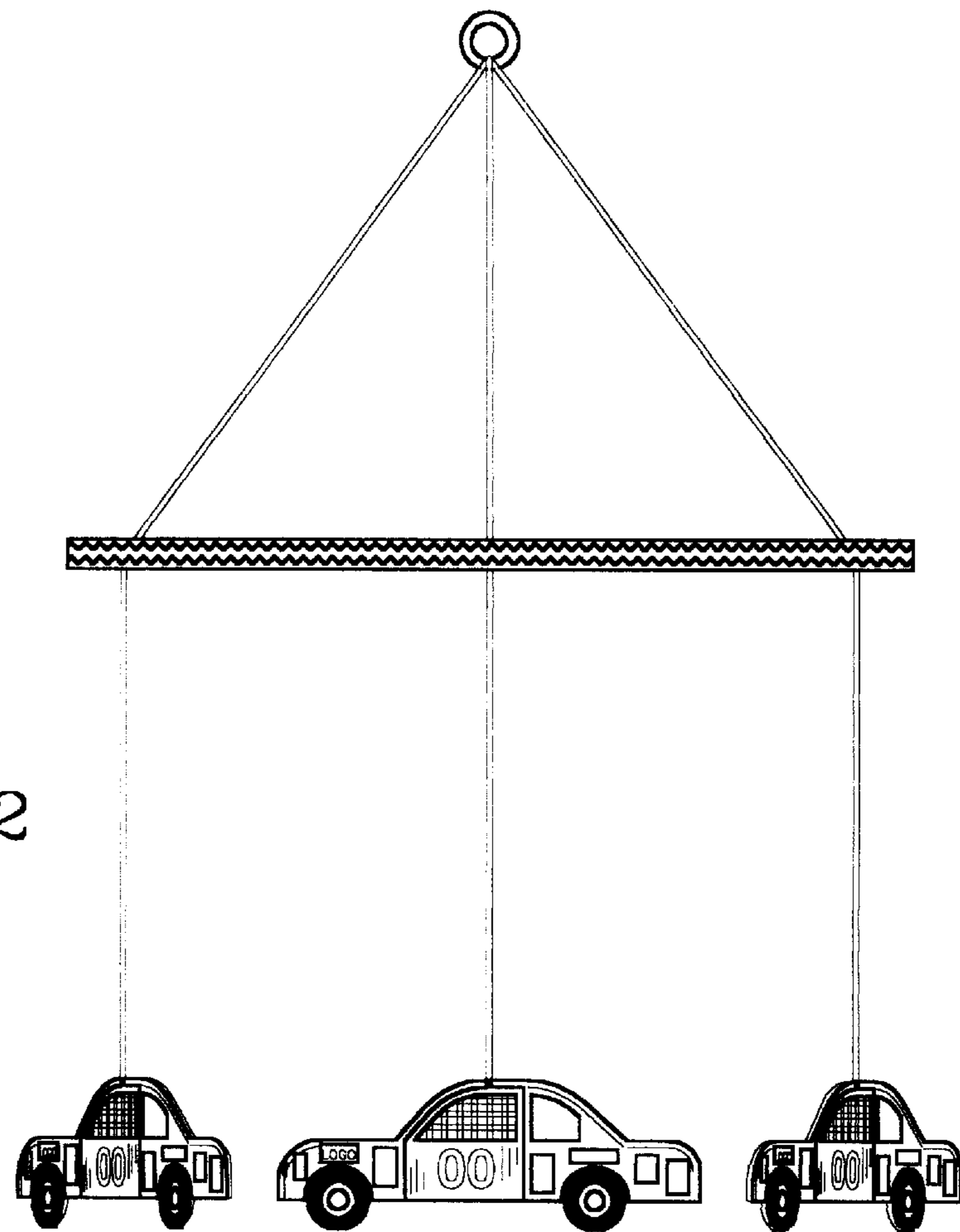


Fig. 2

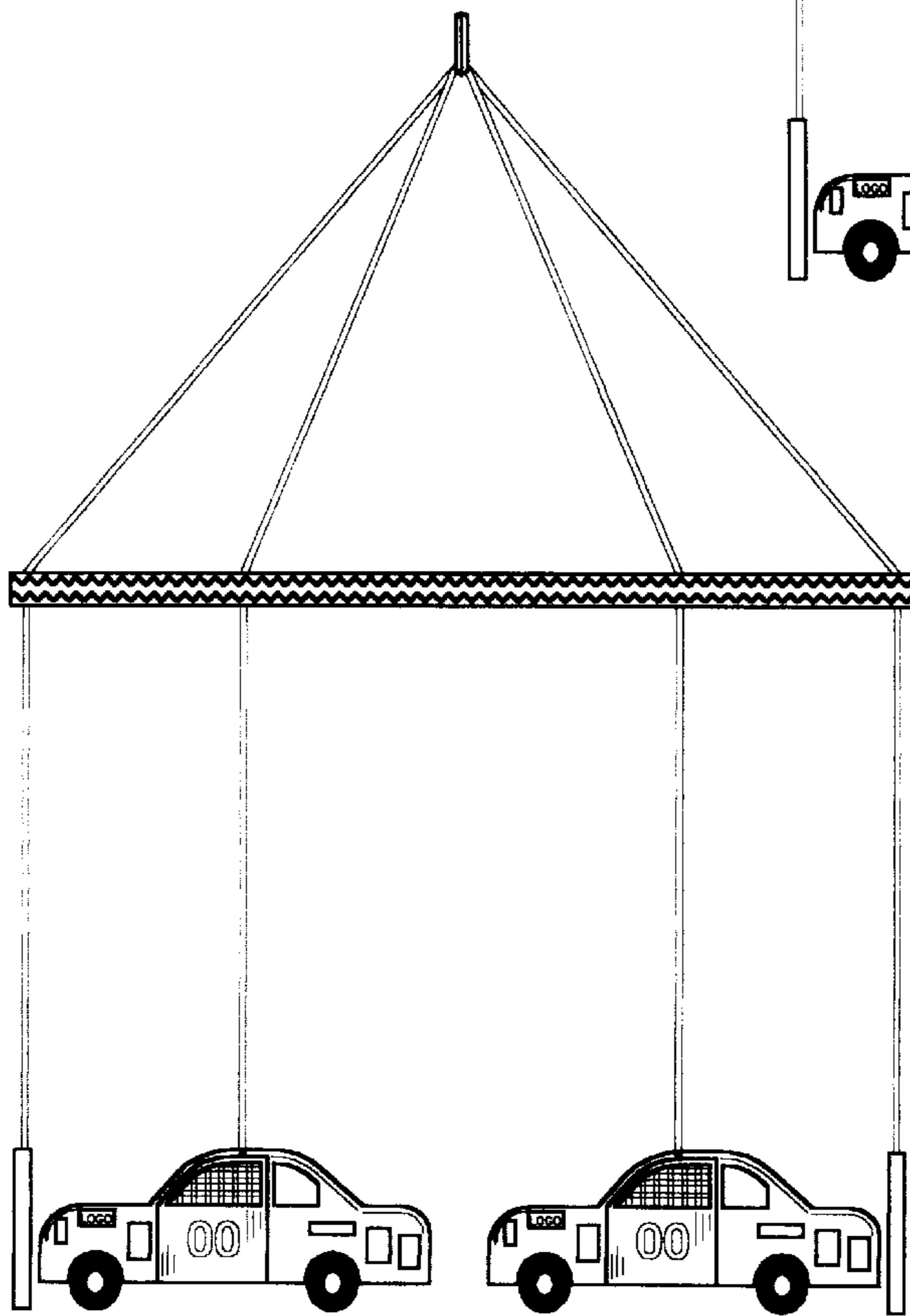


Fig. 3

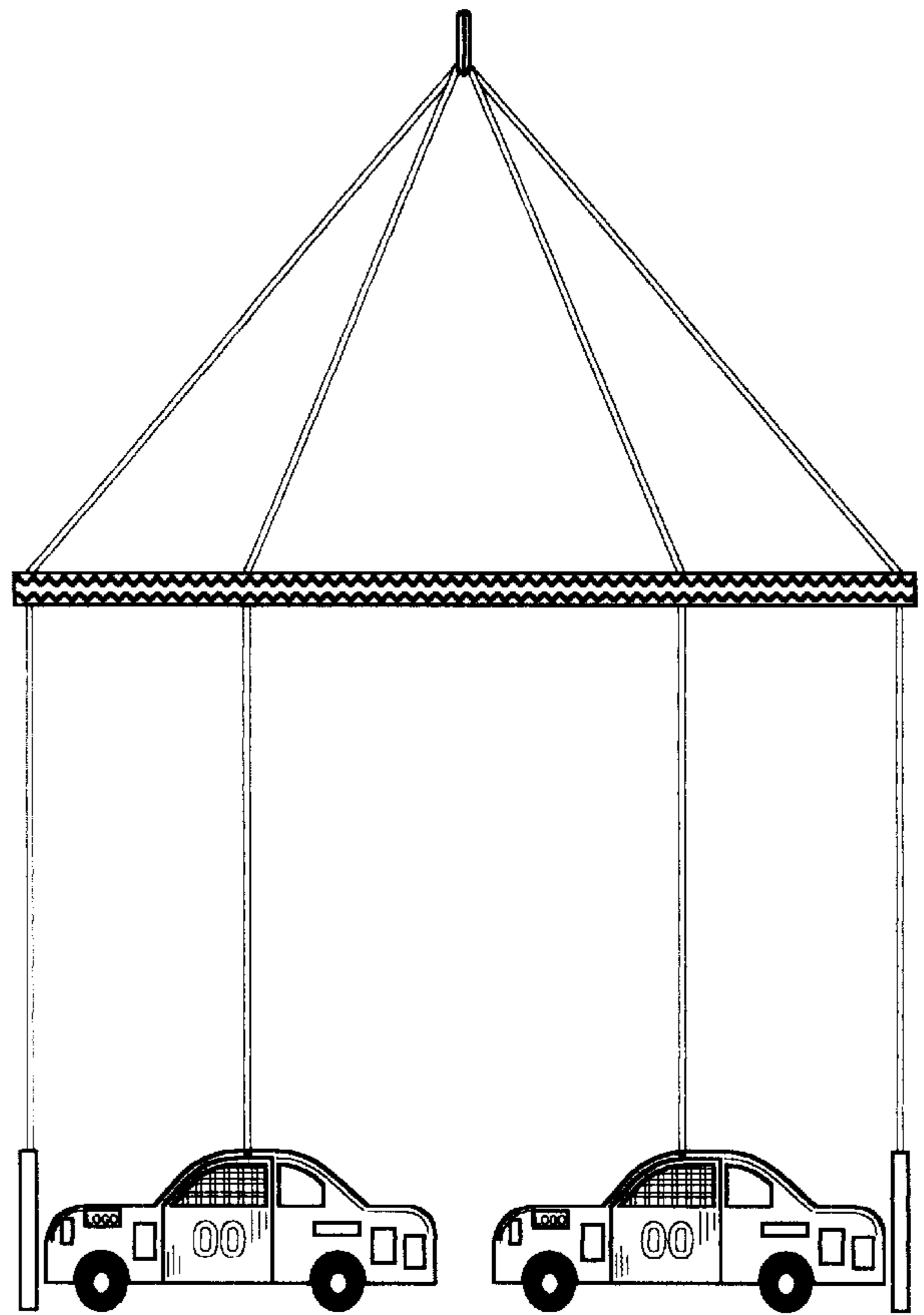


Fig. 4