



US00D419097S

United States Patent [19]

[11] Patent Number: Des. 419,097

Pickard et al.

[45] Date of Patent: ** Jan. 18, 2000

[54] INDUSTRIAL EMERGENCY UNIT LIGHT FIXTURE

[75] Inventors: Paul Kenneth Pickard, Conyers; James Michael Lay, Cumming; Mark C. Logan, Doraville, all of Ga.

[73] Assignee: NSI Enterprises, Inc., Atlanta, Ga.

[**] Term: 14 Years

[21] Appl. No.: 29/101,635

[22] Filed: Mar. 8, 1999

[51] LOC (7) Cl. 10-05

[52] U.S. Cl. D10/114

[58] Field of Search D10/114; D26/24, D26/28, 35, 72; 362/147, 374, 468-475, 800, 908.1, 908

[56] References Cited

U.S. PATENT DOCUMENTS

D. 336,863 6/1993 MacKenzie D10/114

Primary Examiner—Marcus A. Jackson

Attorney, Agent, or Firm—Kenneth E. Darnell

[57] CLAIM

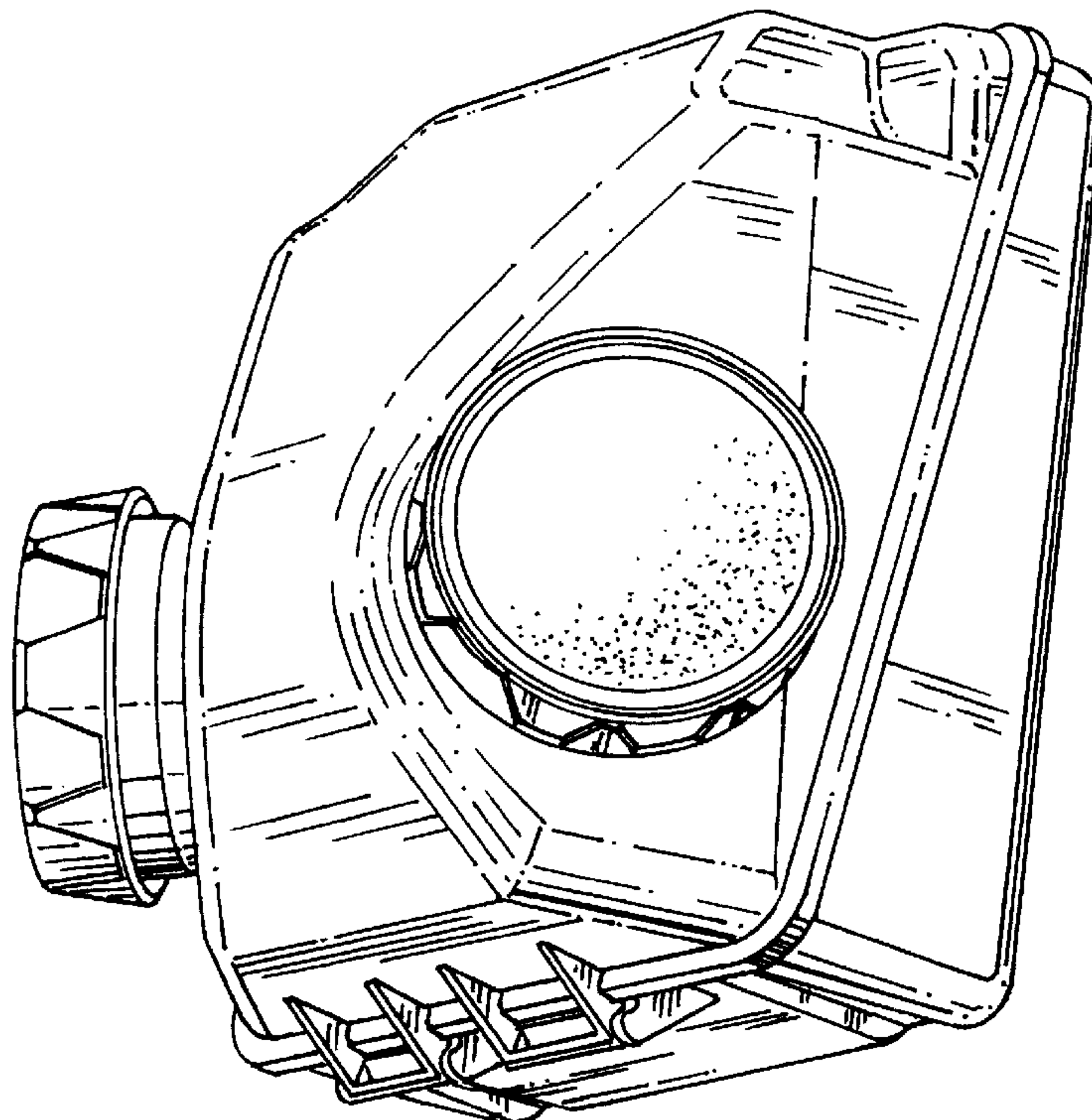
The ornamental design of an industrial emergency unit light fixture, as shown and described.

DESCRIPTION

FIG. 1 is a bottom perspective view taken from the front of a first embodiment of the industrial emergency unit light fixture showing the new design;

FIG. 2 is a bottom perspective view taken from the rear of the industrial emergency unit light fixture; FIG. 3 is a front elevational view thereof; FIG. 4 is a rear elevational view thereof; FIG. 5 is a top plan view thereof; FIG. 6 is a side elevational view thereof; FIG. 7 is a bottom perspective view taken from the front of a second embodiment of the industrial emergency unit light fixture showing the new design; FIG. 8 is a bottom perspective view taken from the rear of the industrial emergency unit light fixture; FIG. 9 is a front elevational view thereof; FIG. 10 is a top plan view thereof; FIG. 11 is a side elevational view thereof; FIG. 12 is a bottom perspective view taken from the front of a third embodiment of the industrial emergency unit light fixture showing the new design; FIG. 13 is a bottom perspective view taken from the rear of the third embodiment of the industrial emergency unit light fixture; FIG. 14 is a front elevational view thereof; FIG. 15 is a rear elevational view thereof; FIG. 16 is a top plan view thereof; FIG. 17 is a side elevational view thereof; FIG. 18 is a bottom perspective view taken from the front of a fourth embodiment of the industrial emergency unit light fixture showing the new design; FIG. 19 is a bottom perspective view taken from the rear of the fourth embodiment of the industrial emergency unit light fixture; FIG. 20 is a front elevational view thereof; FIG. 21 is a top perspective view thereof; and, FIG. 22 is a side elevational view thereof.

1 Claim, 11 Drawing Sheets



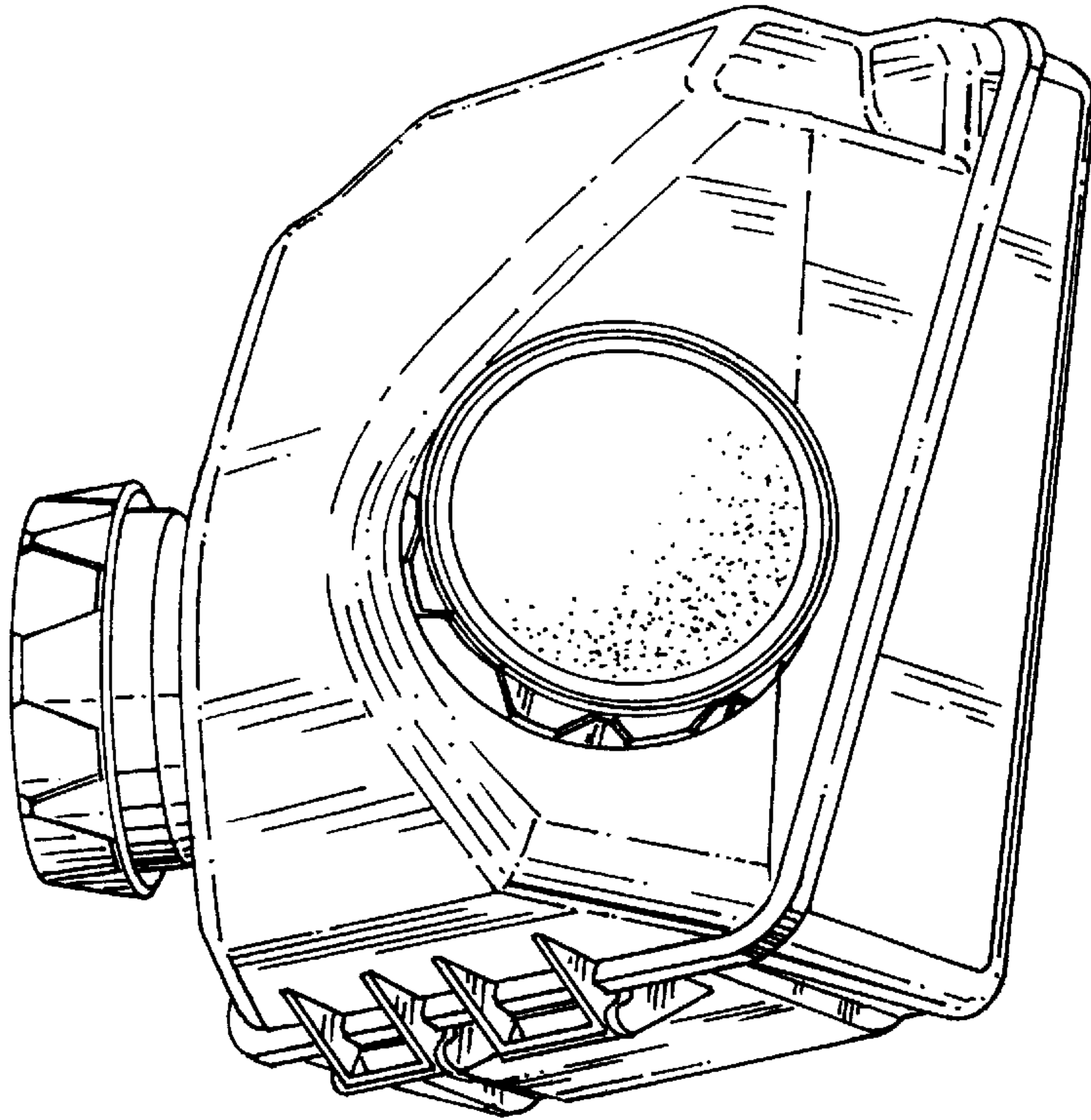


Fig. 1

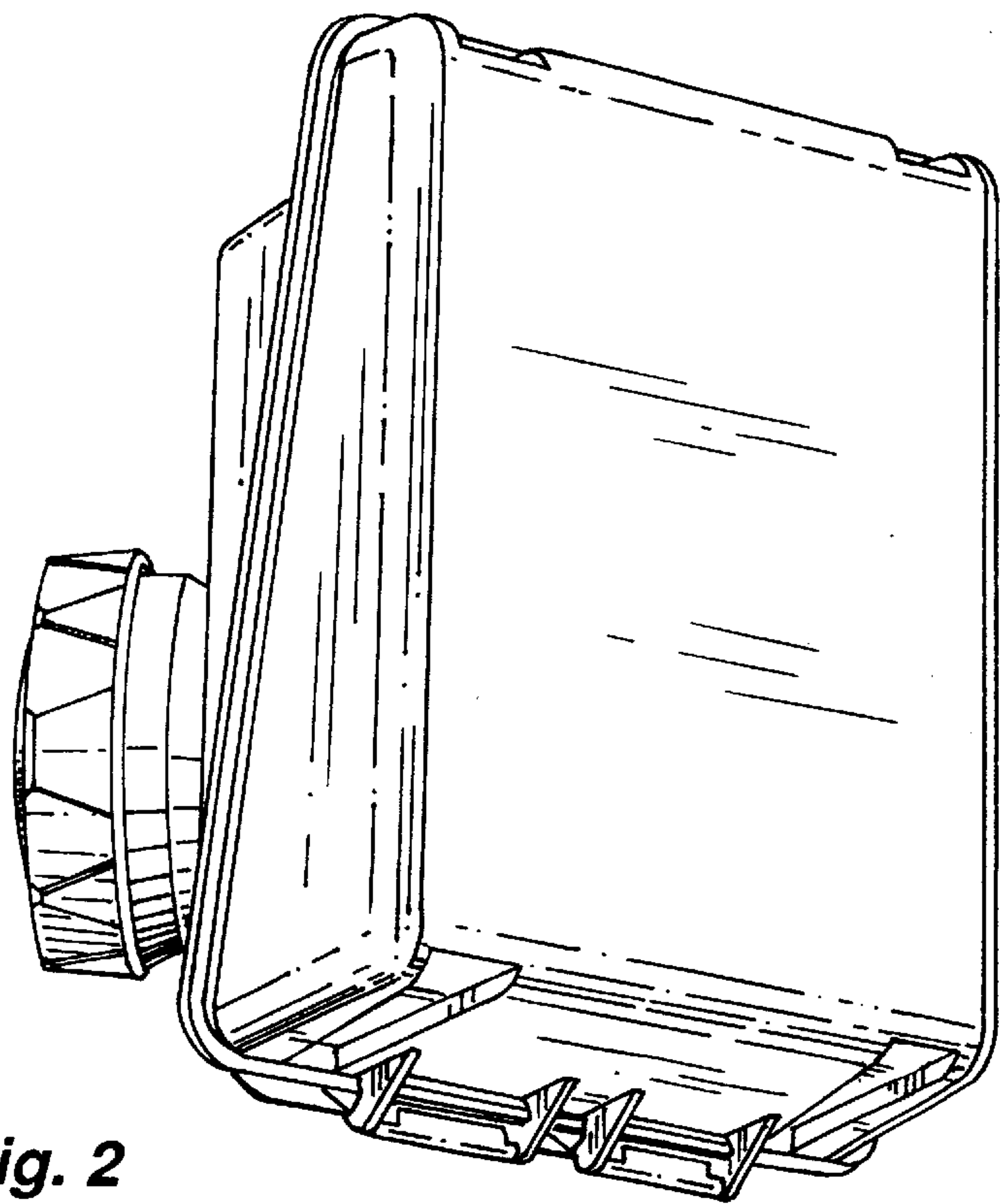


Fig. 2

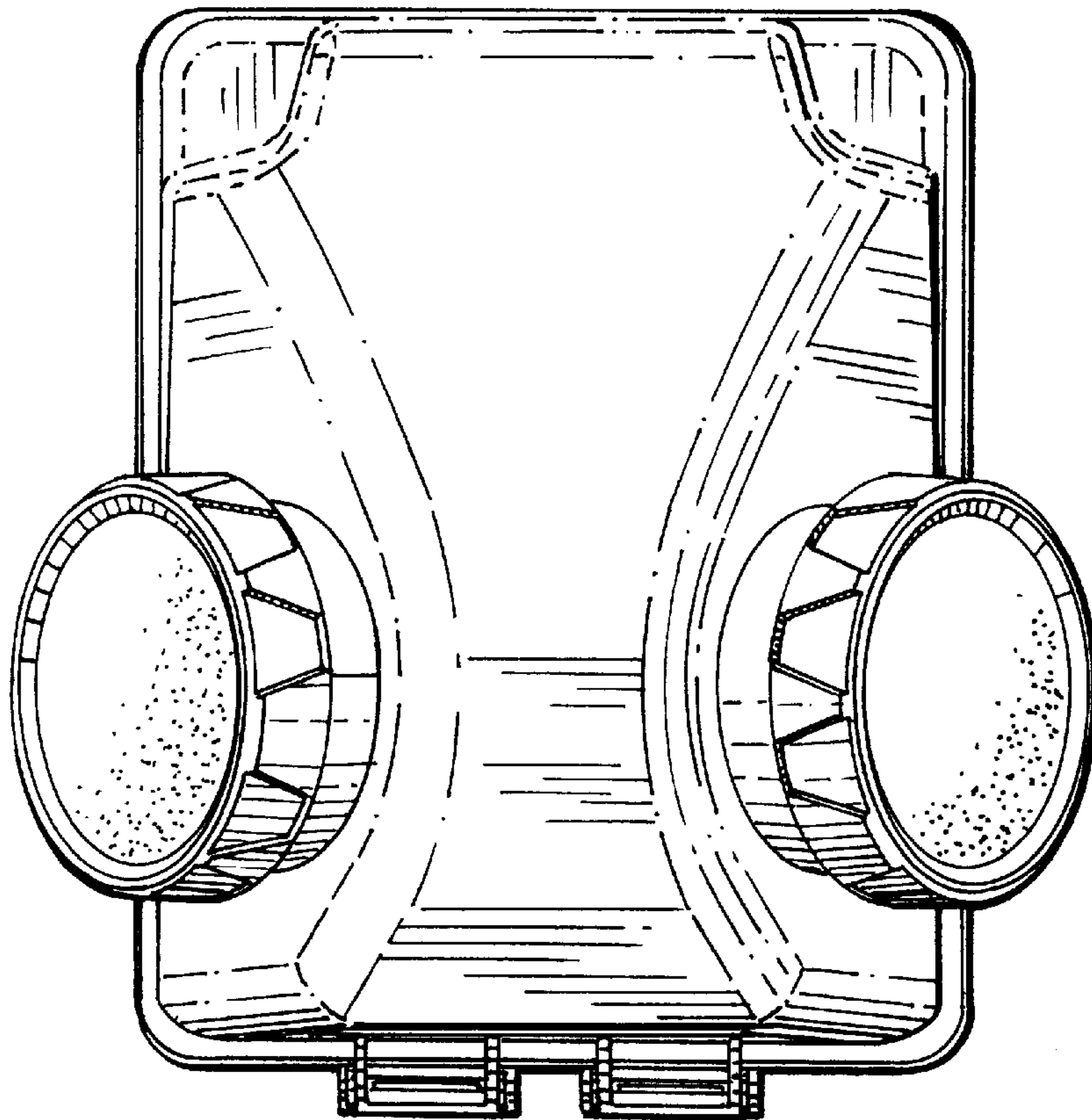


Fig. 3

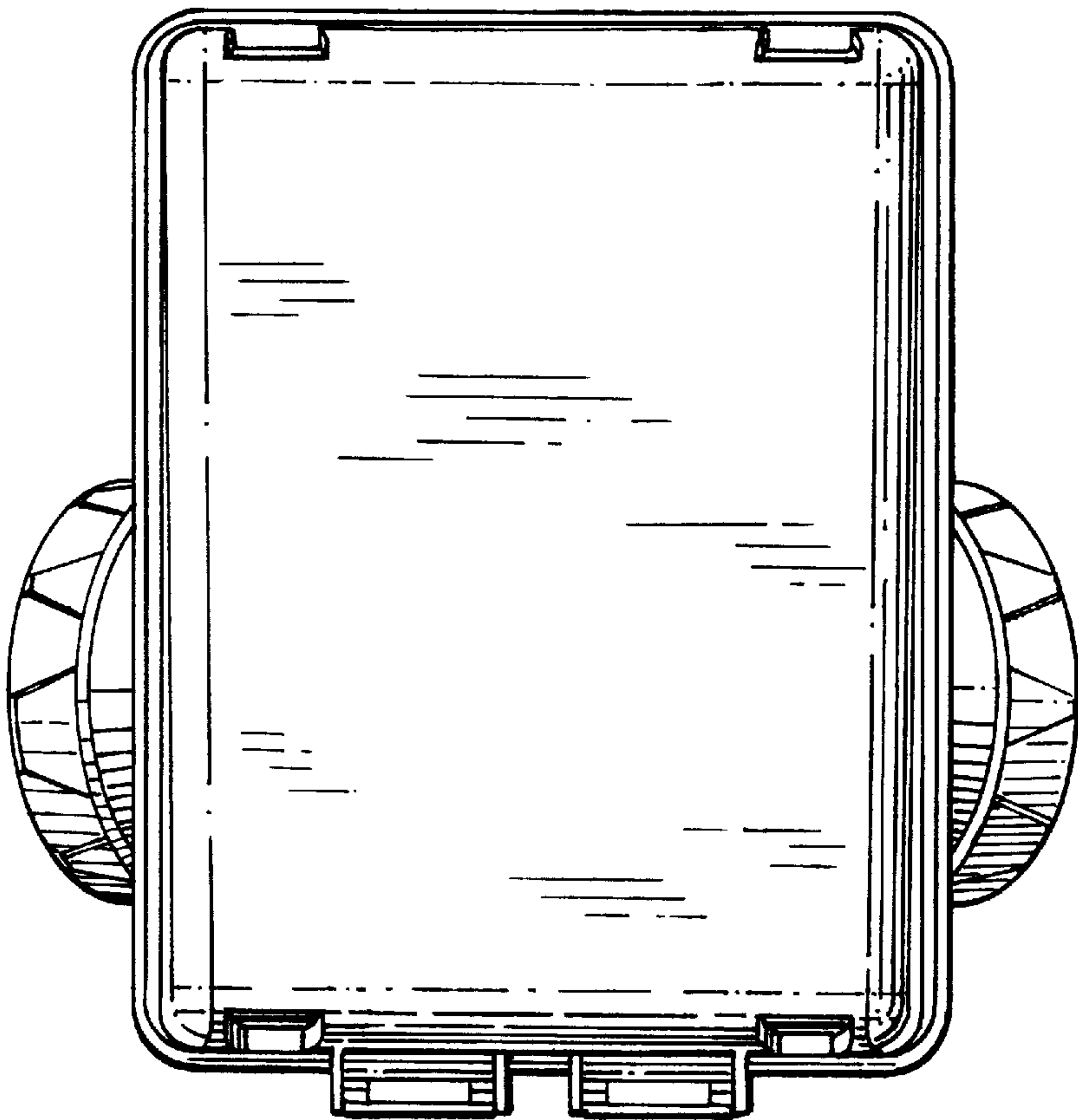


Fig. 4

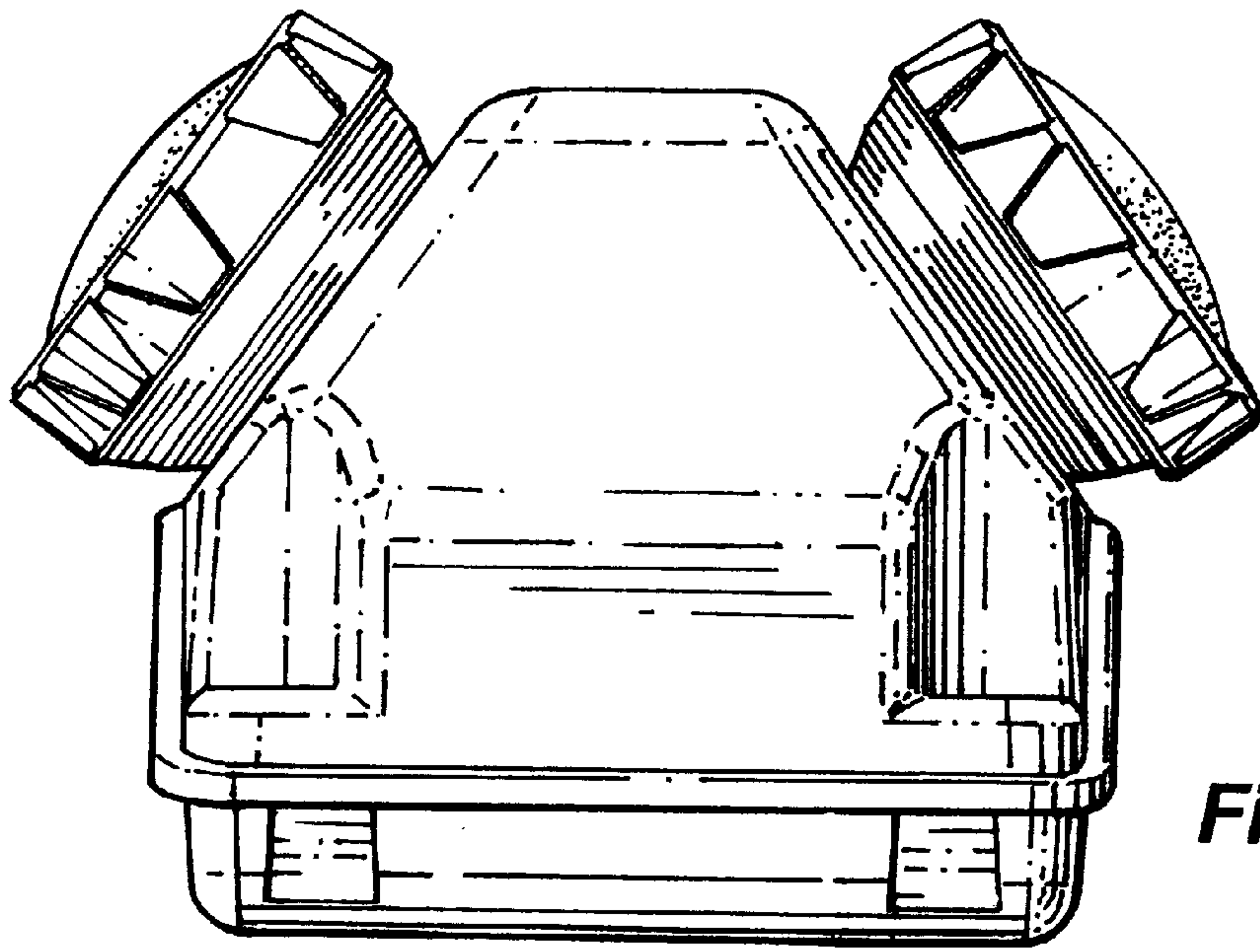


Fig. 5

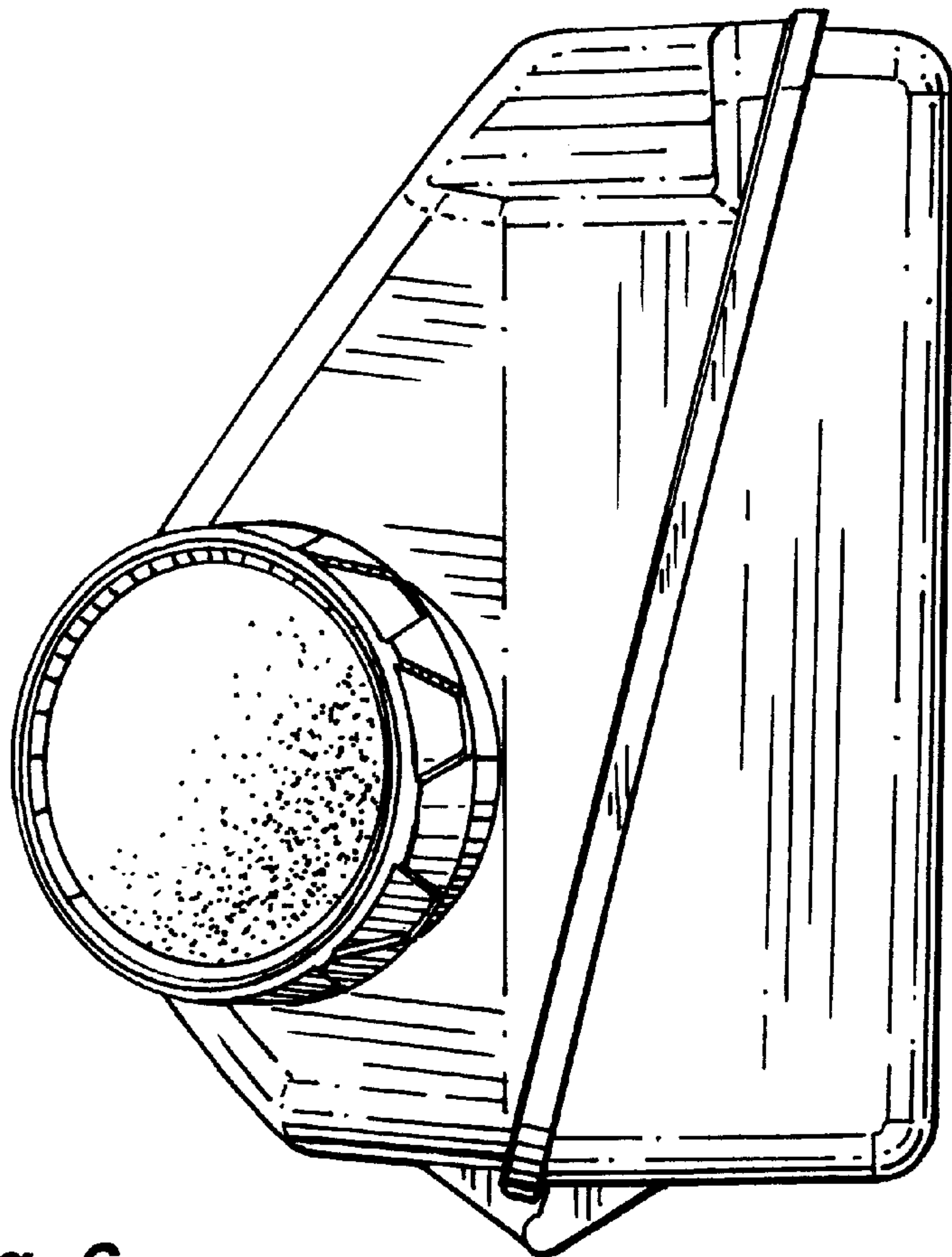


Fig. 6

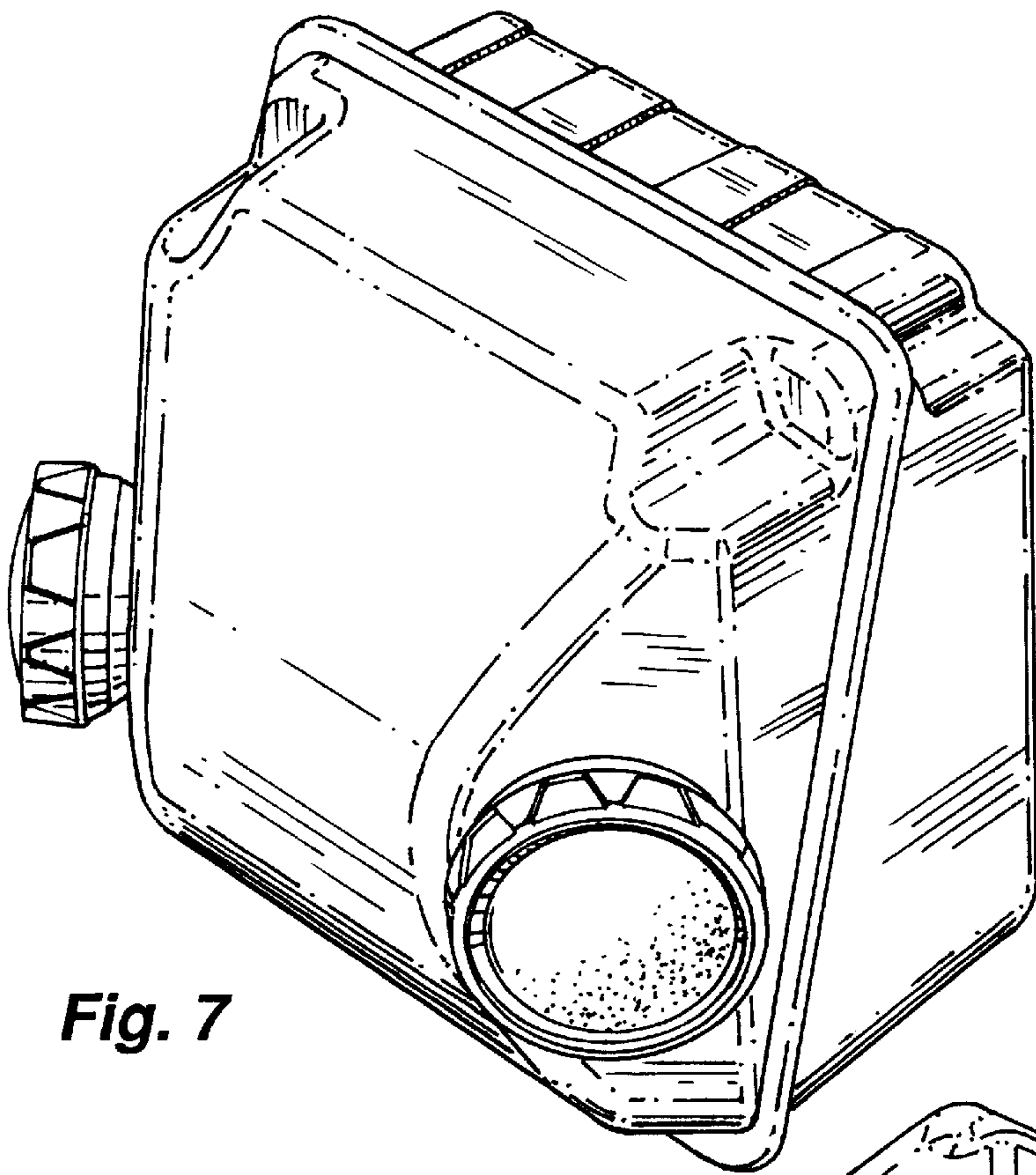


Fig. 7

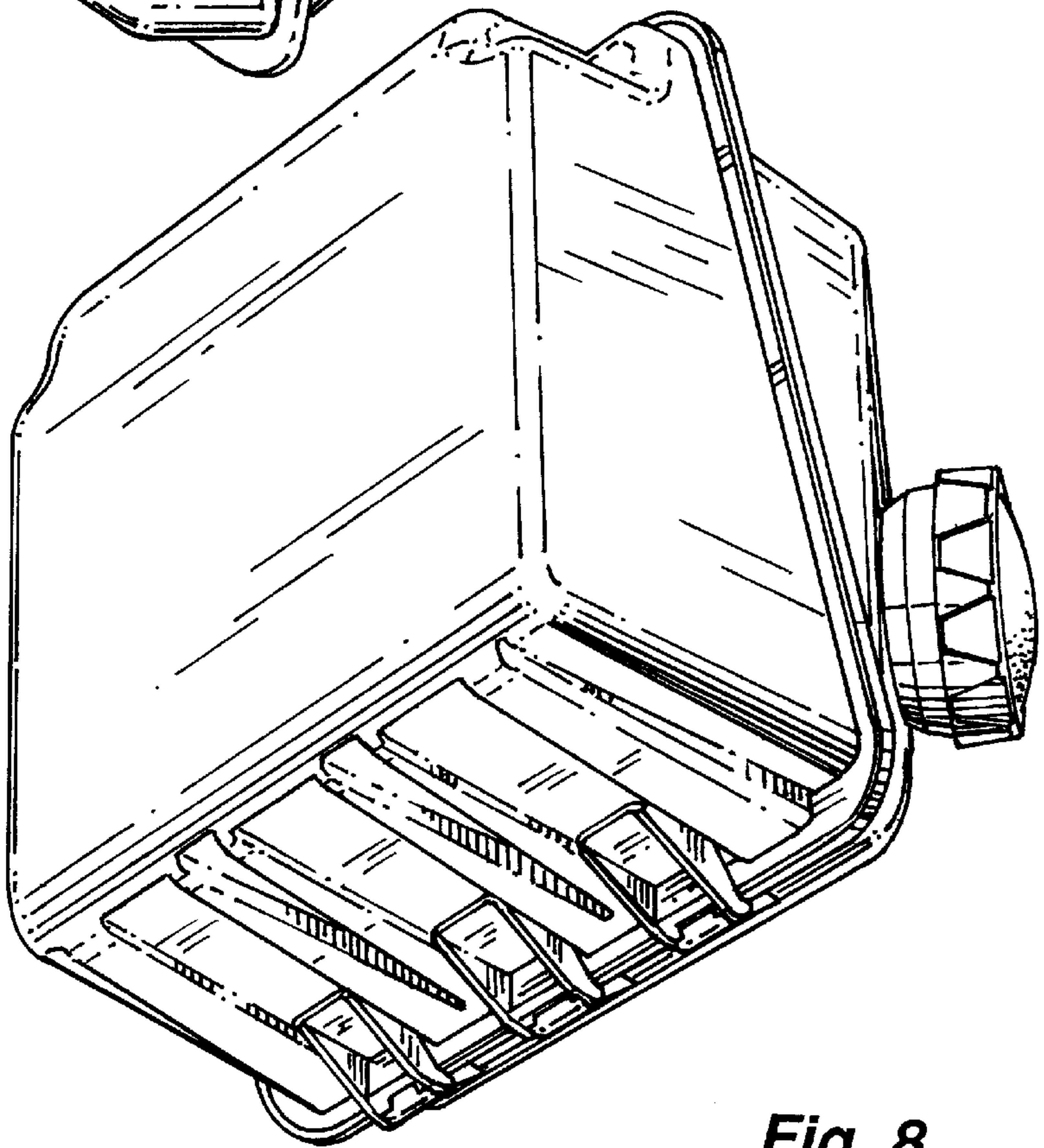


Fig. 8

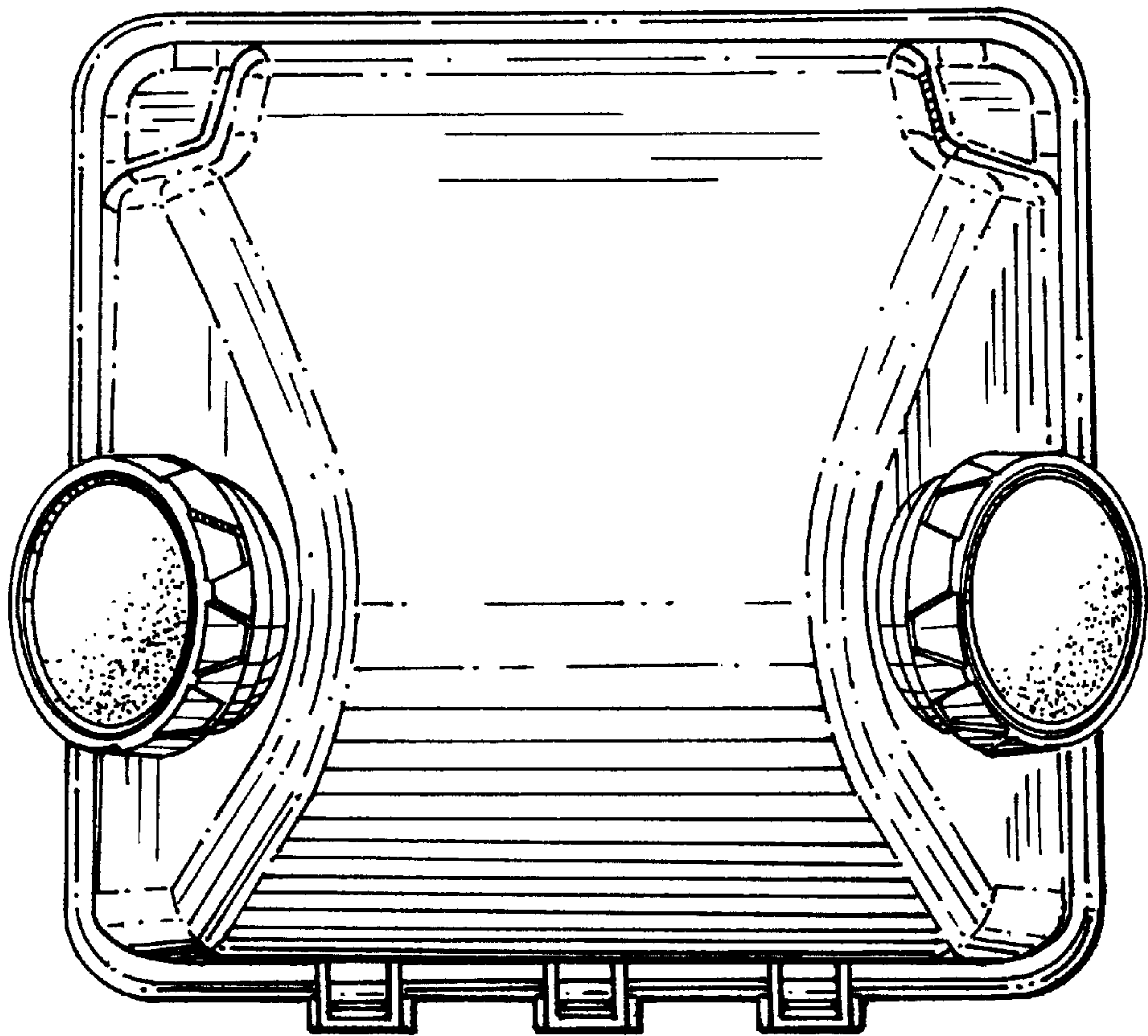


Fig. 9

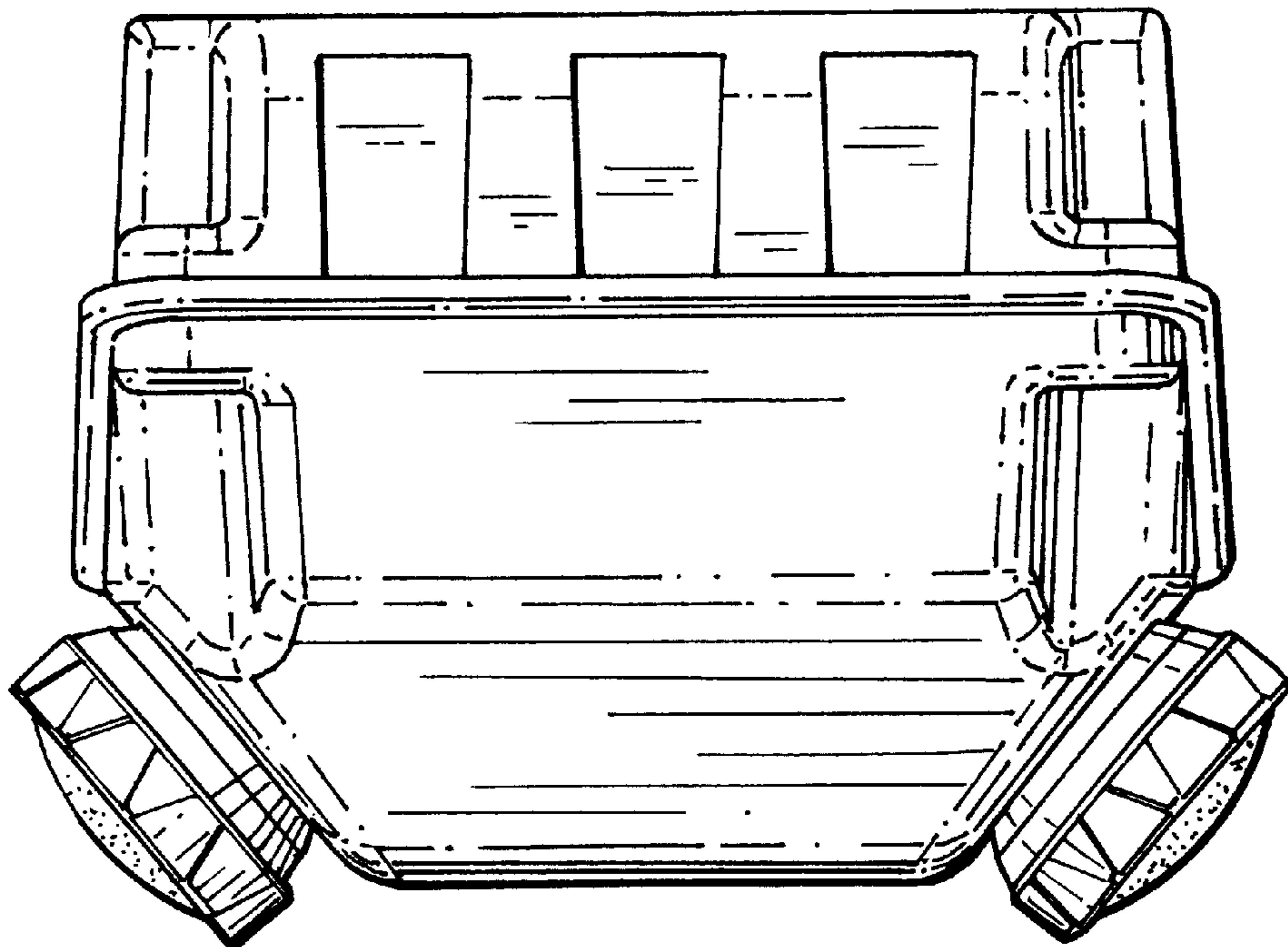


Fig. 10

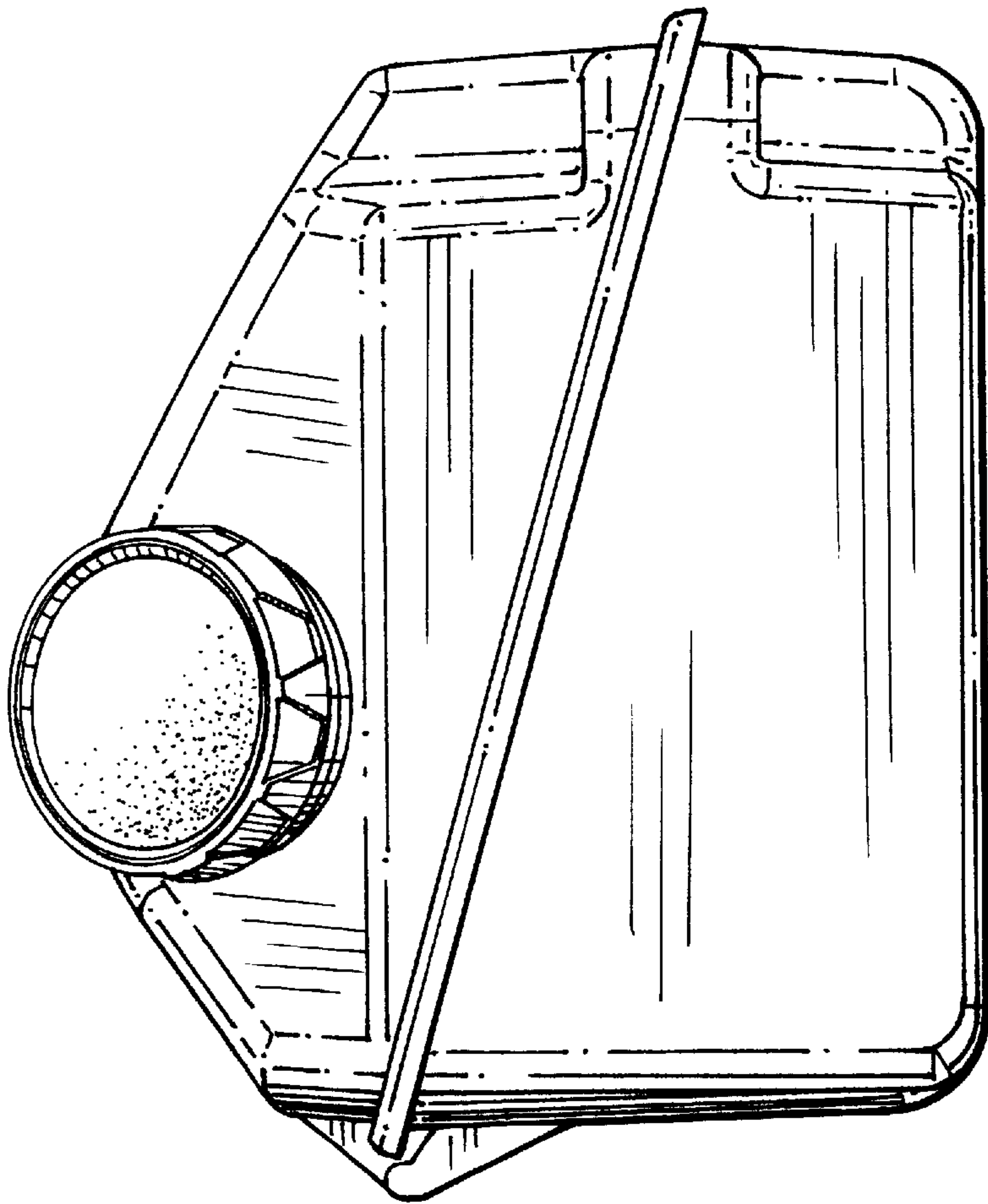


Fig. 11

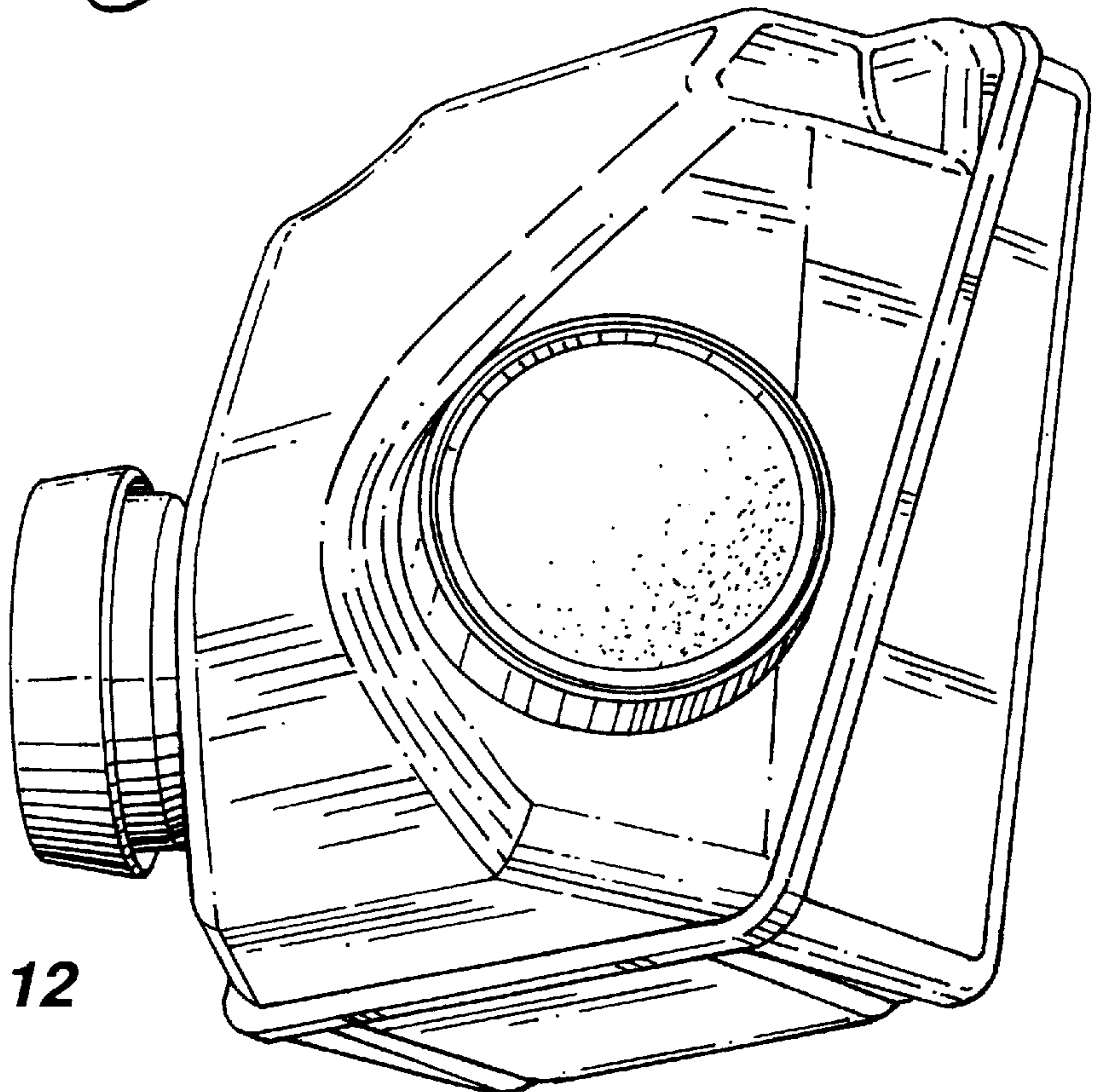


Fig. 12

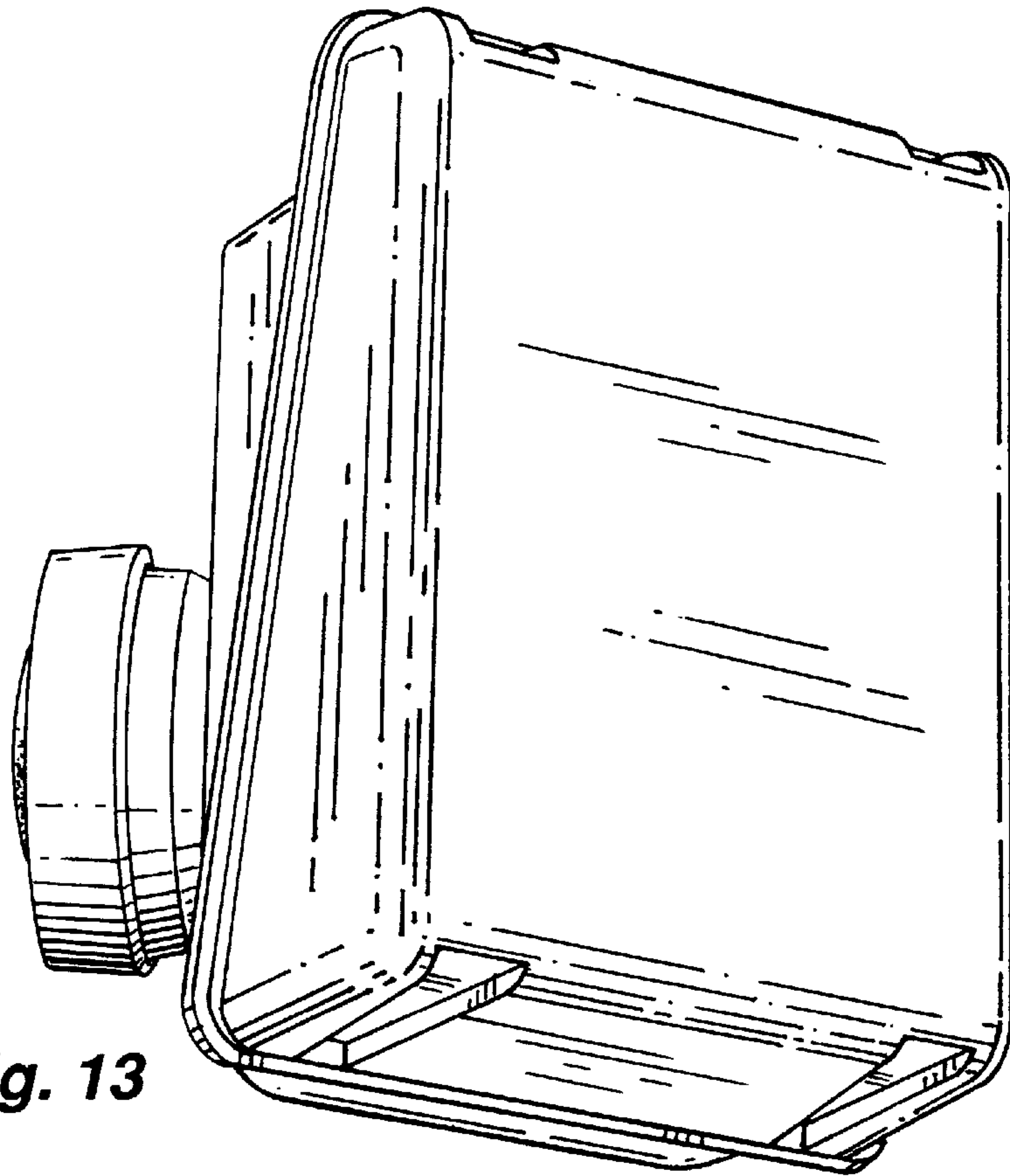


Fig. 13

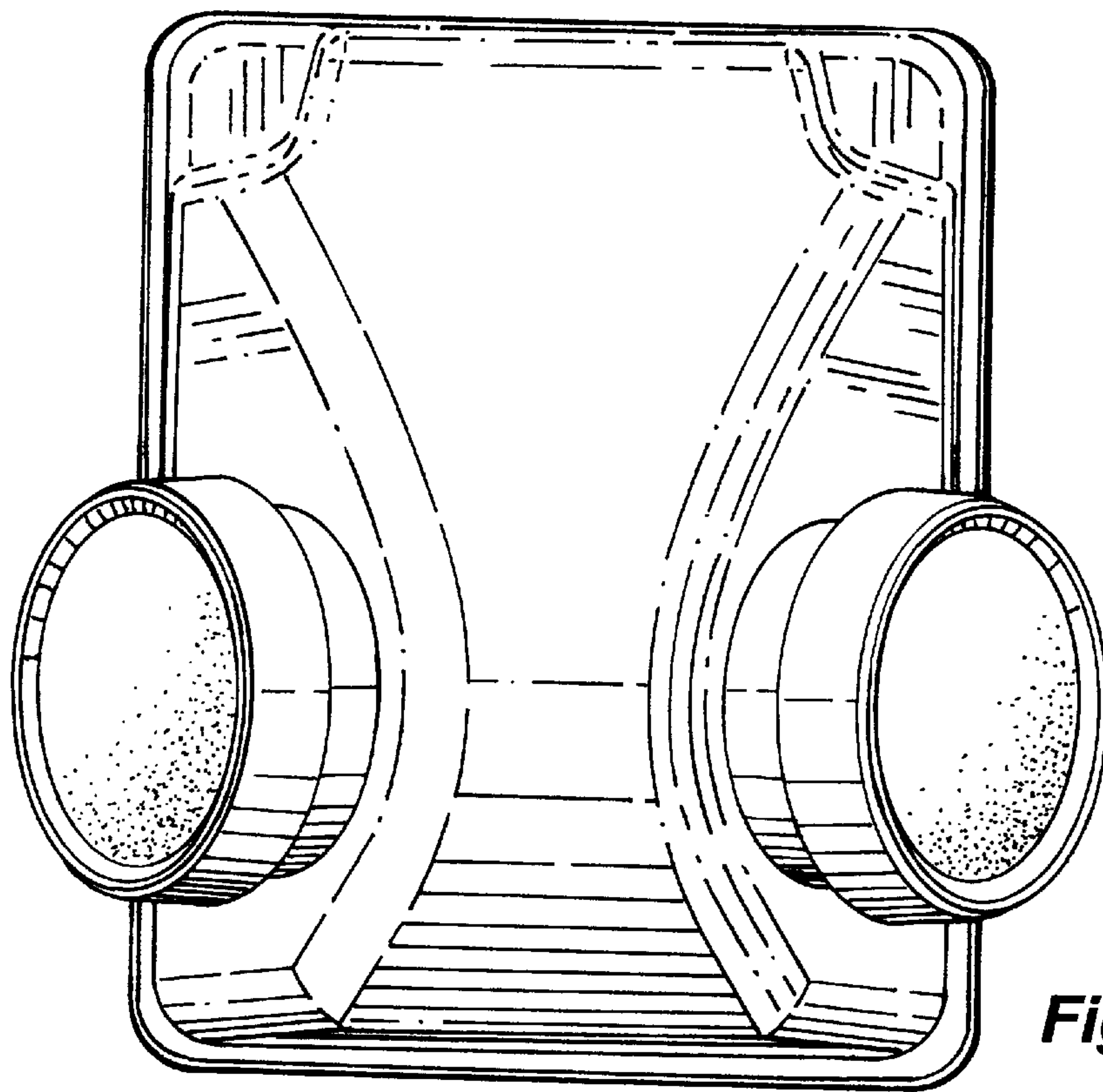


Fig. 14

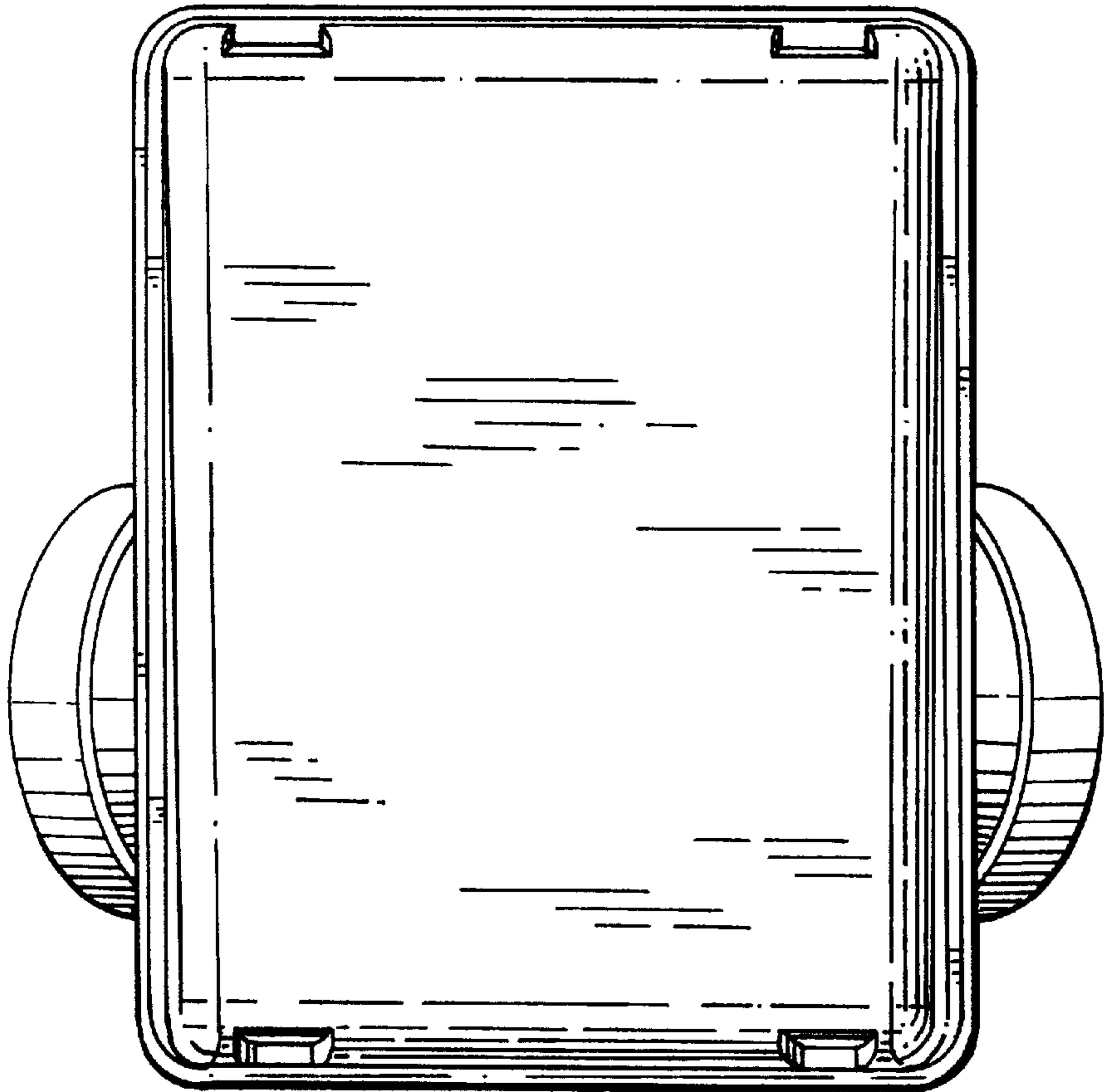


Fig. 15

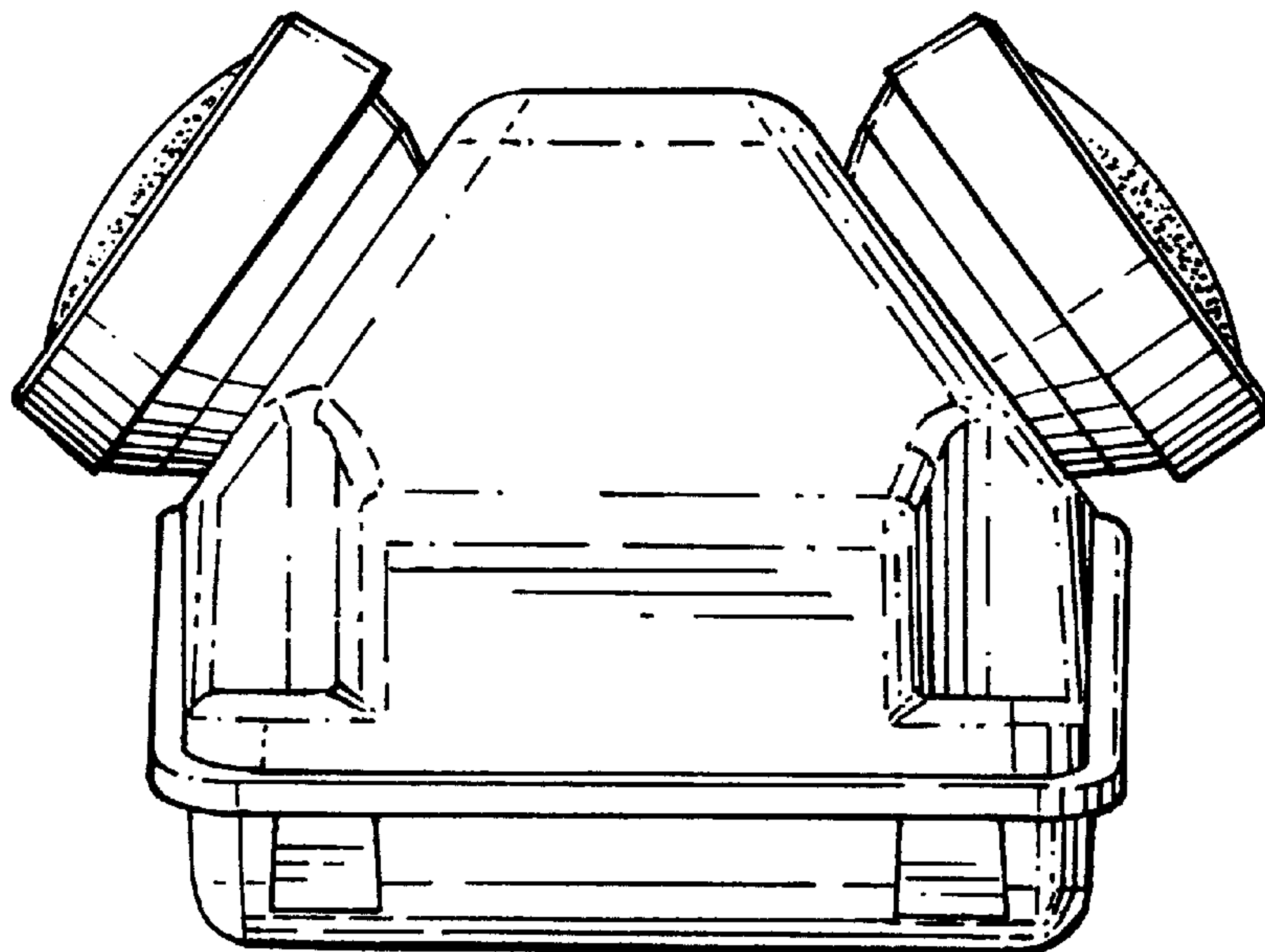


Fig. 16

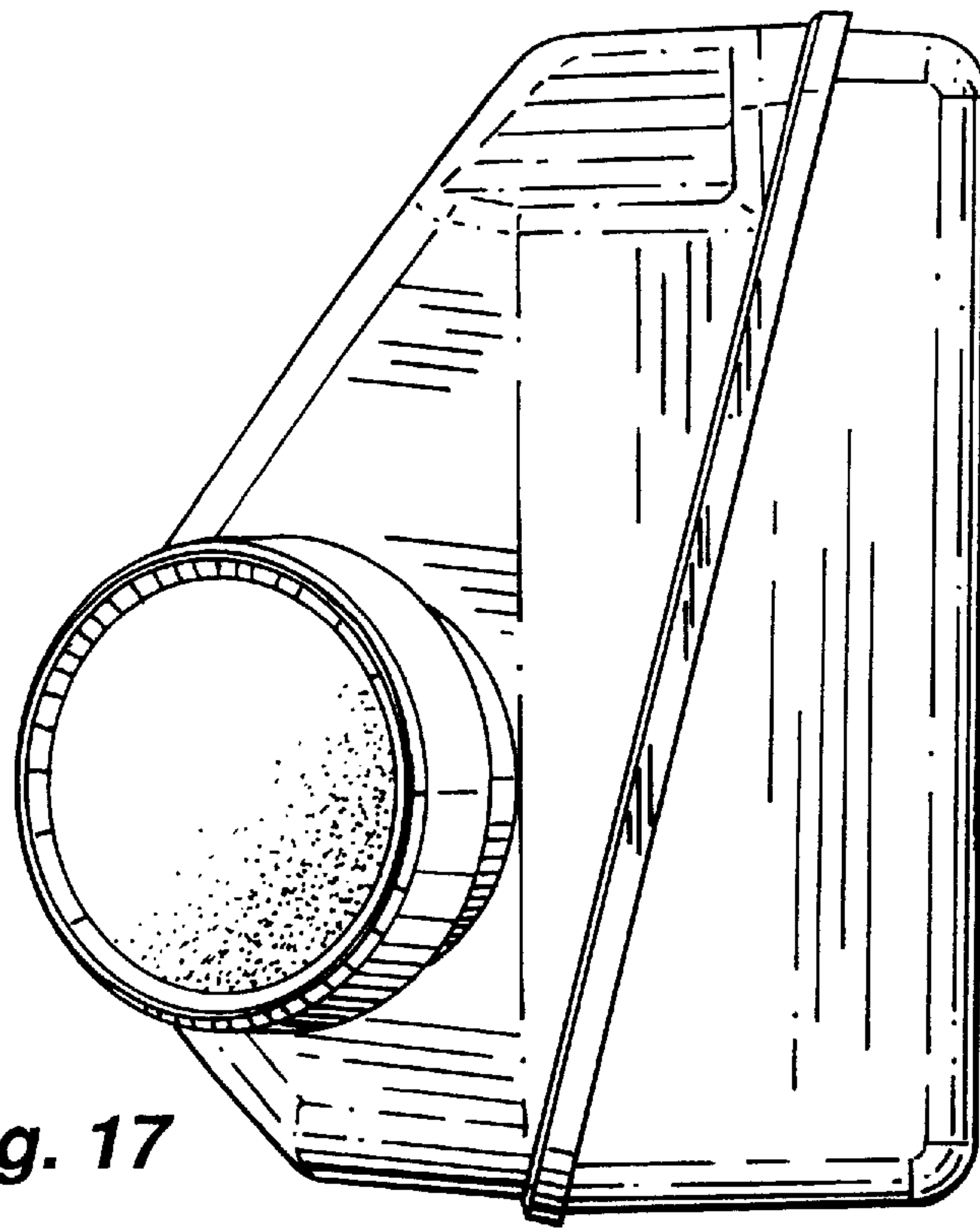


Fig. 17

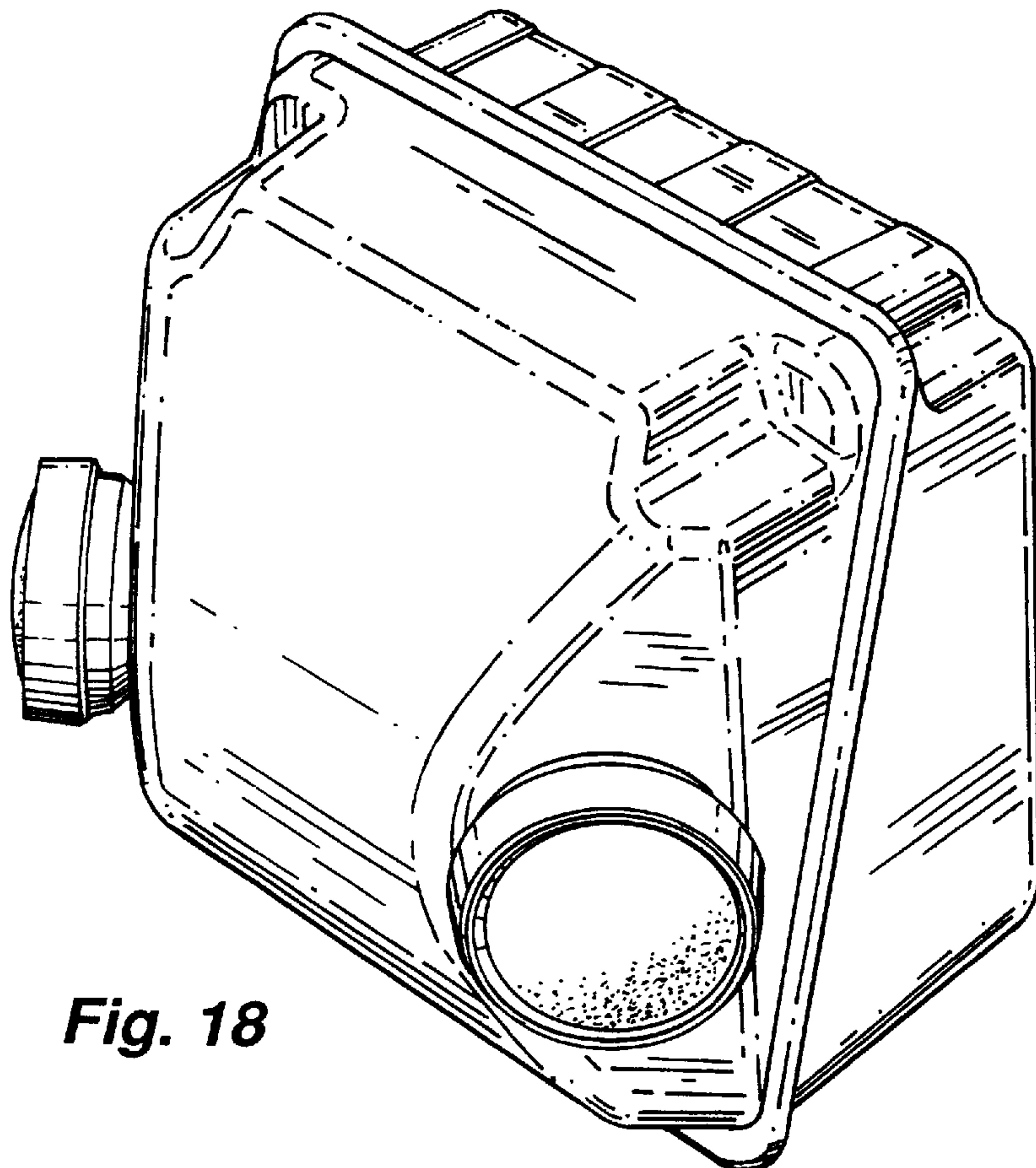


Fig. 18

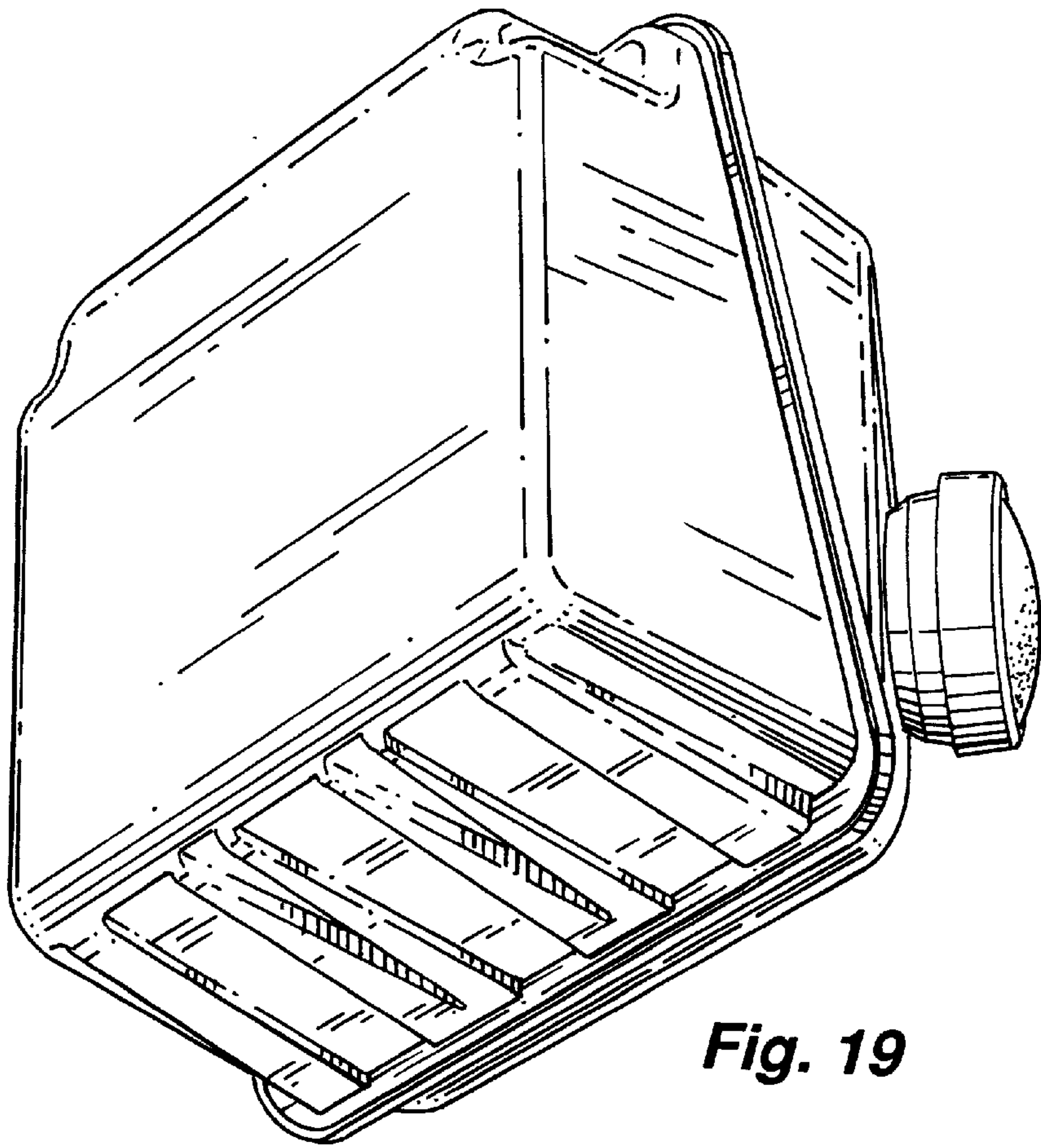


Fig. 19

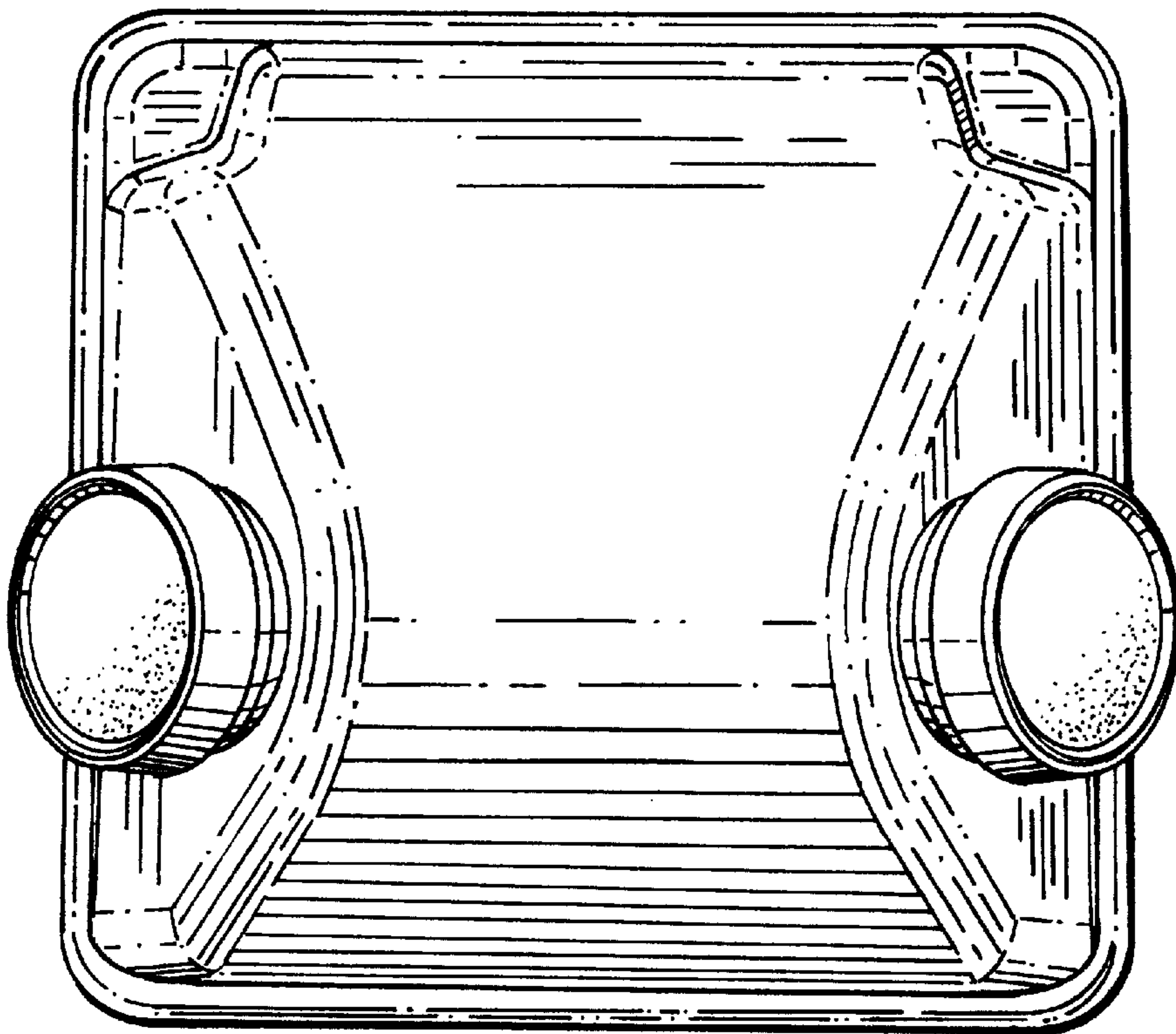


Fig. 20

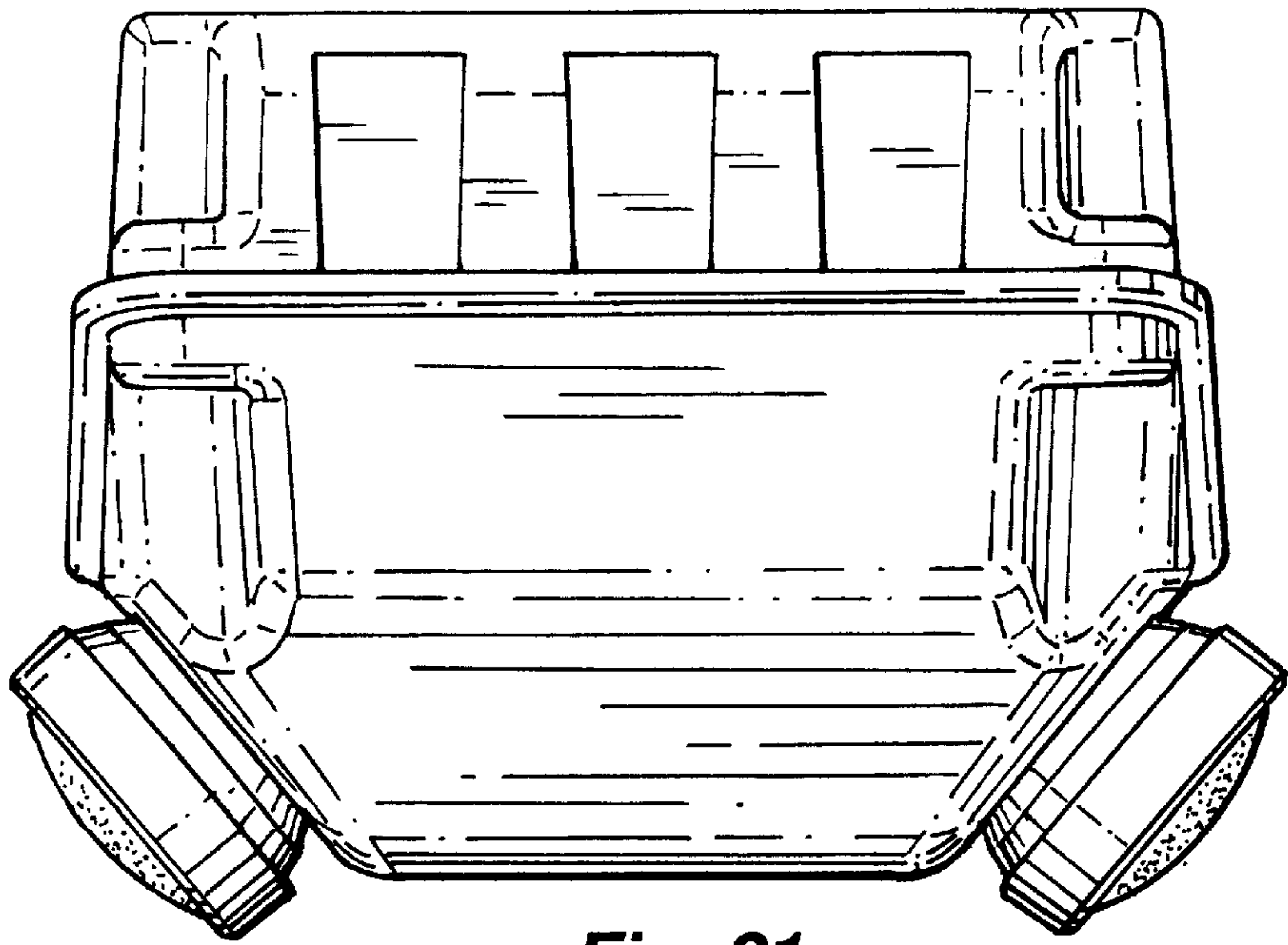


Fig. 21

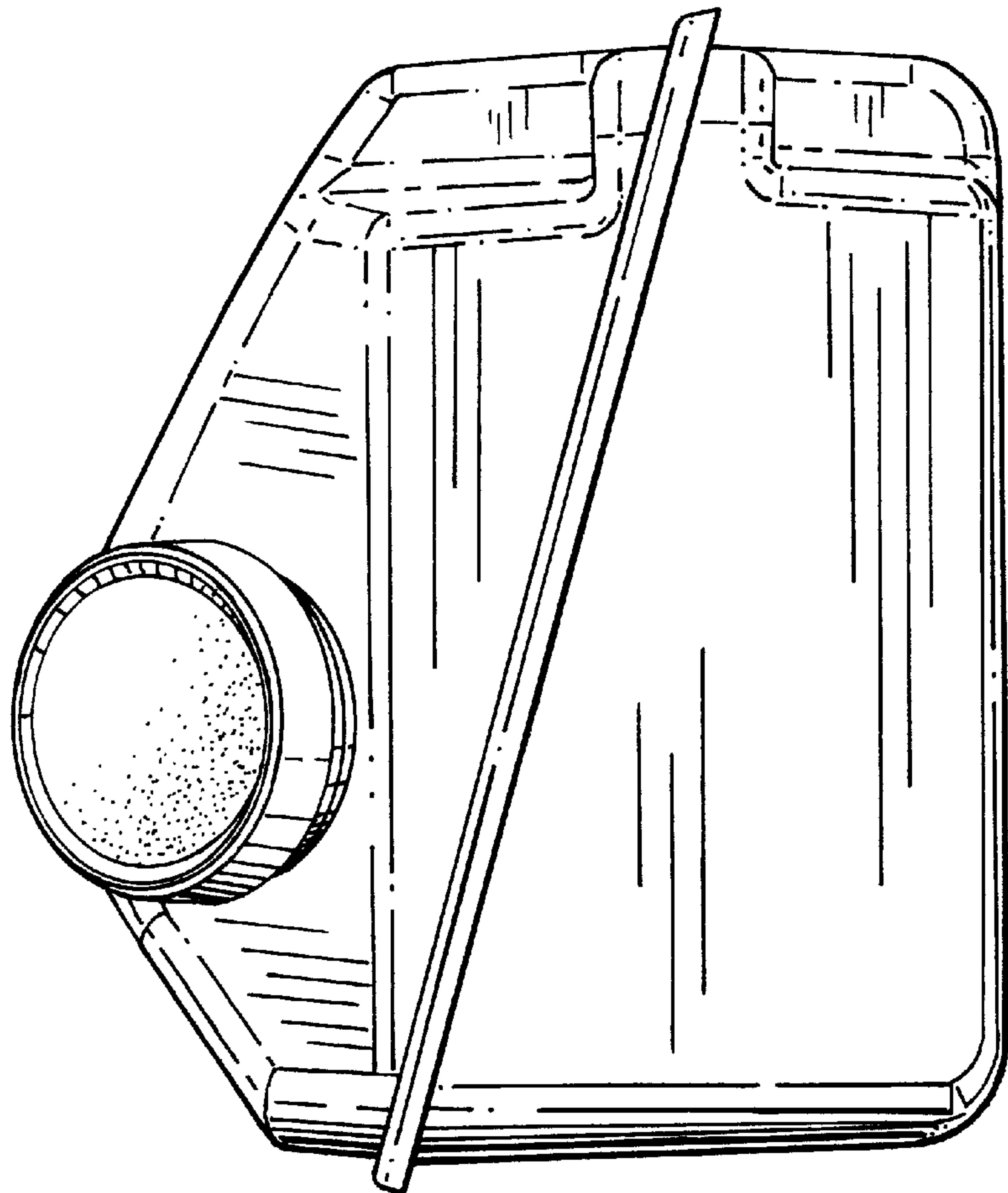


Fig. 22