



US00D419094S

United States Patent [19] Chang

[11] **Patent Number: Des. 419,094**

[45] **Date of Patent: ** Jan. 18, 2000**

[54] **COMBINED ALARM AND ILLUMINATOR FOR INFRARED DETECTORS**

[76] Inventor: **Wen-Hsiang Chang**, No. 1, Alley 36, Lane 121, Te-Lin Rd., Lung-Tan Hsiang, T'ao-Yuan Hsien, Taiwan

[**] Term: **14 Years**

[21] Appl. No.: **29/103,533**

[22] Filed: **Apr. 15, 1999**

[51] **LOC (7) Cl.** **10-05**

[52] **U.S. Cl.** **D10/106; D26/38**

[58] **Field of Search** D10/104, 106, D10/116, 121; 340/521, 540, 541, 545, 555, 565

[56] **References Cited**

U.S. PATENT DOCUMENTS

D. 338,845	8/1993	Rohrs	D10/106
D. 359,008	6/1995	Sandell et al.	D10/106
D. 366,222	1/1996	Sandell et al.	D10/106
D. 377,619	1/1997	Sandell et al.	D10/106
D. 382,082	8/1997	Huang	D10/106
D. 395,408	6/1998	Wiesemann	D10/106

Primary Examiner—Marcus A. Jackson
Attorney, Agent, or Firm—Varndell & Varndell, PLLC

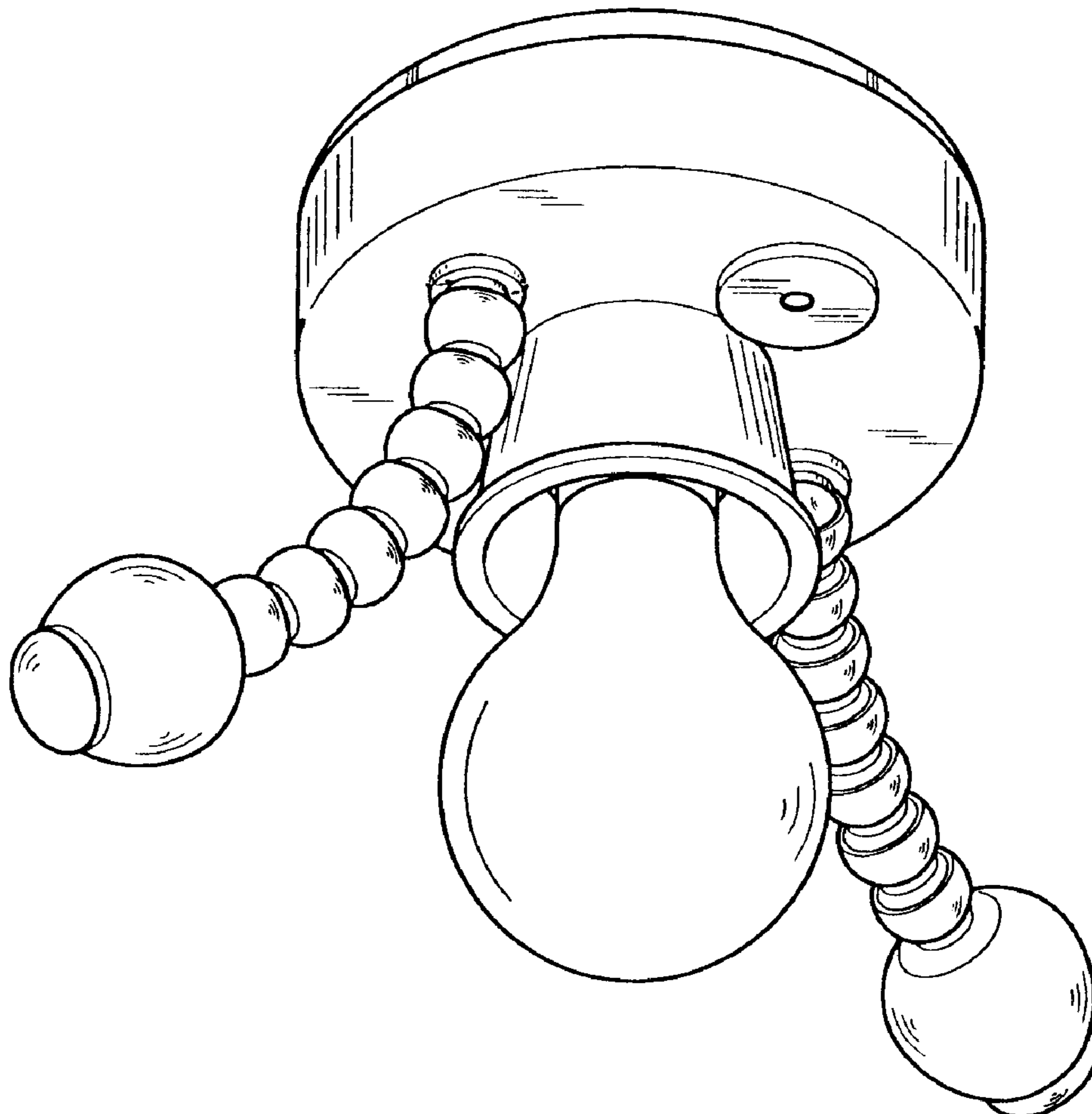
[57] **CLAIM**

The ornamental design for the combined alarm and illuminator for infrared detectors, as shown and described.

DESCRIPTION

FIG. 1 is a front view of a combined alarm and illuminator for infrared detectors showing my new design; FIG. 2 is a rear view of the combined alarm and illuminator for infrared detectors; FIG. 3 is a left side view of the combined alarm and illuminator for infrared detectors; FIG. 4 is a right side view of the combined alarm and illuminator for infrared detectors; FIG. 5 is a top view of the combined alarm and illuminator for infrared detectors; FIG. 6 is a bottom view of the combined alarm and illuminator for infrared detectors; FIG. 7 is a perspective top view of the combined alarm and illuminator for infrared detectors; and, FIG. 8 is a perspective bottom view of the combined alarm and illuminator for infrared detectors.

1 Claim, 5 Drawing Sheets



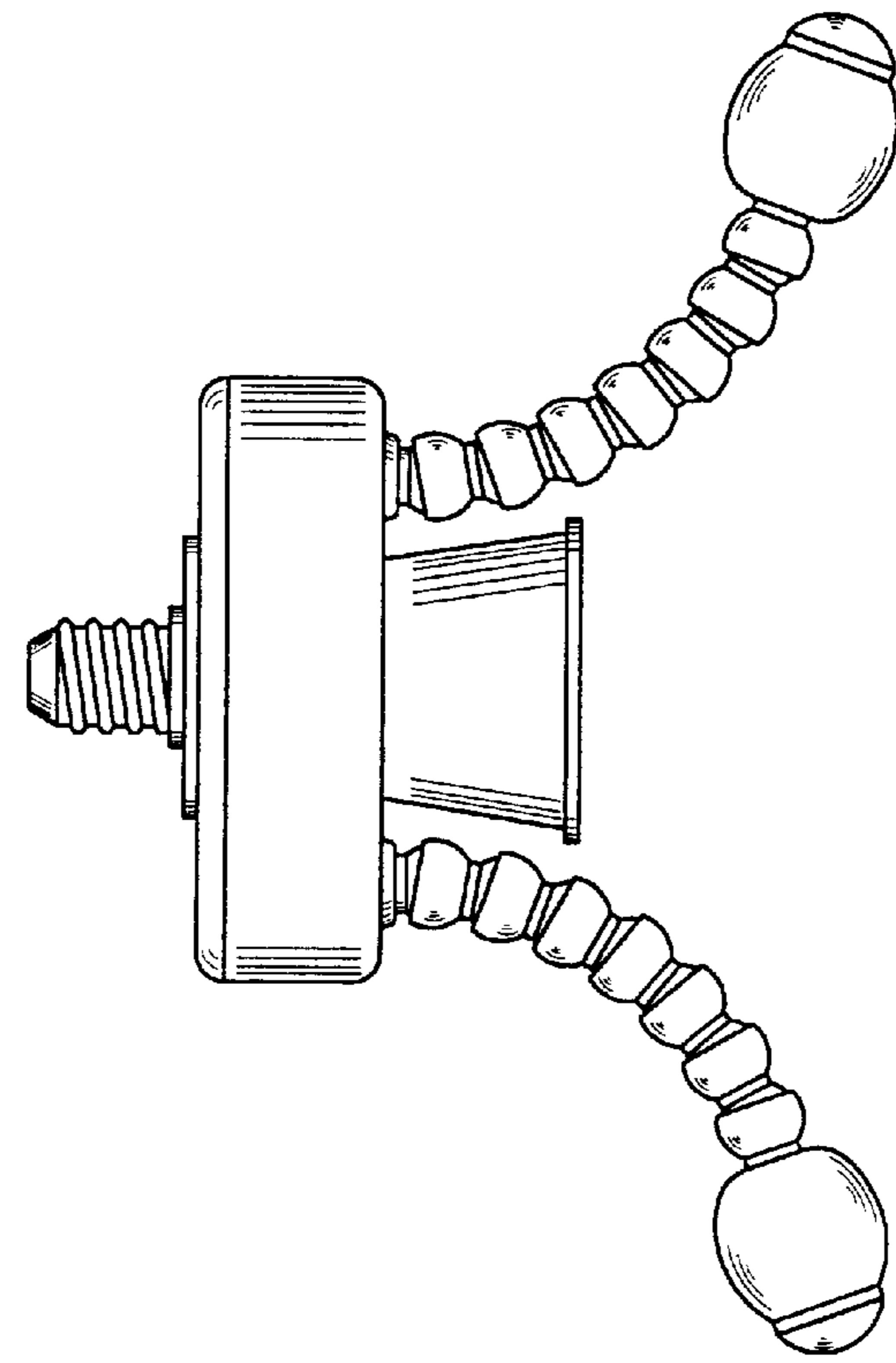


FIG. 2

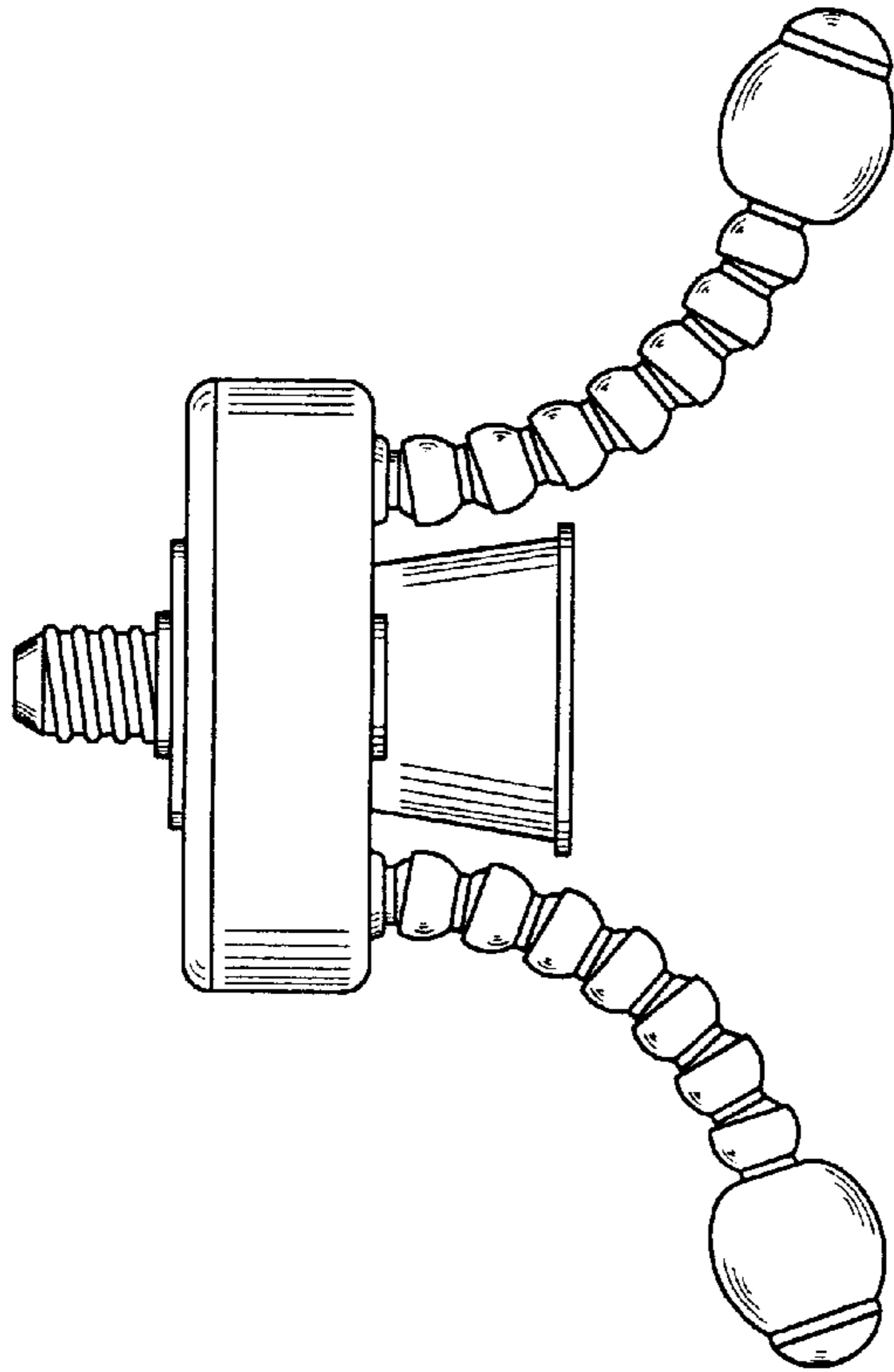


FIG. 1

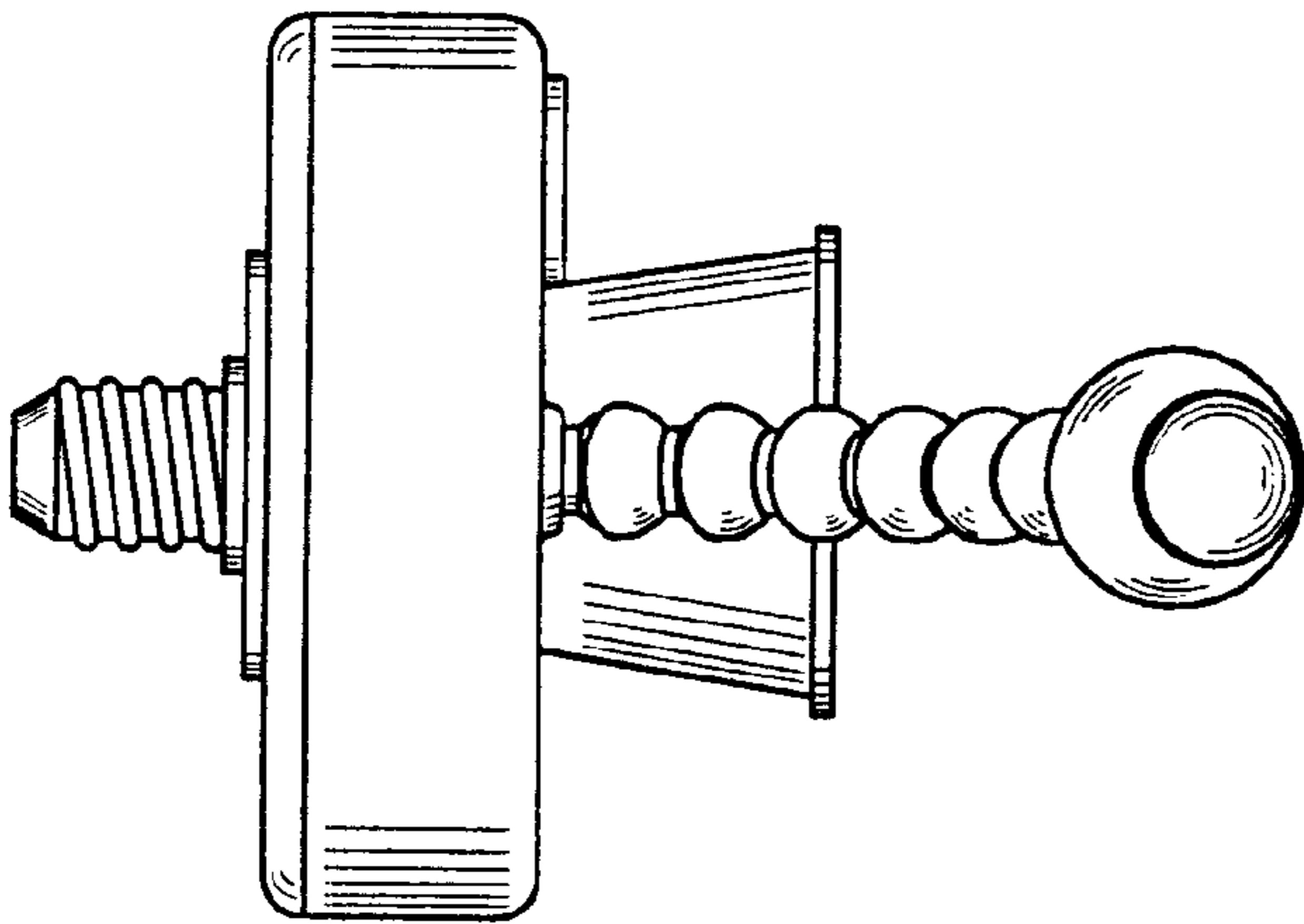


FIG. 3

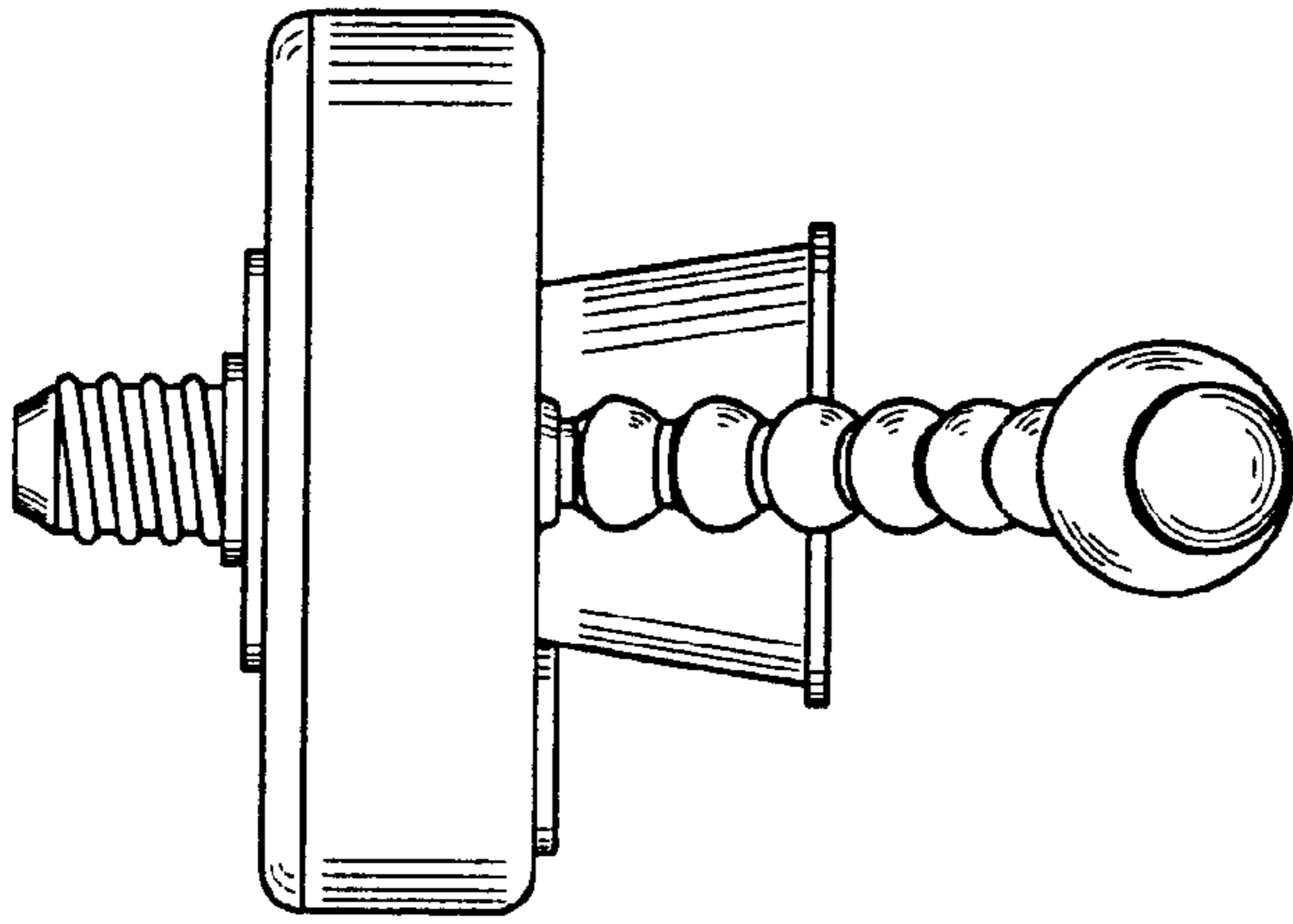


FIG. 4

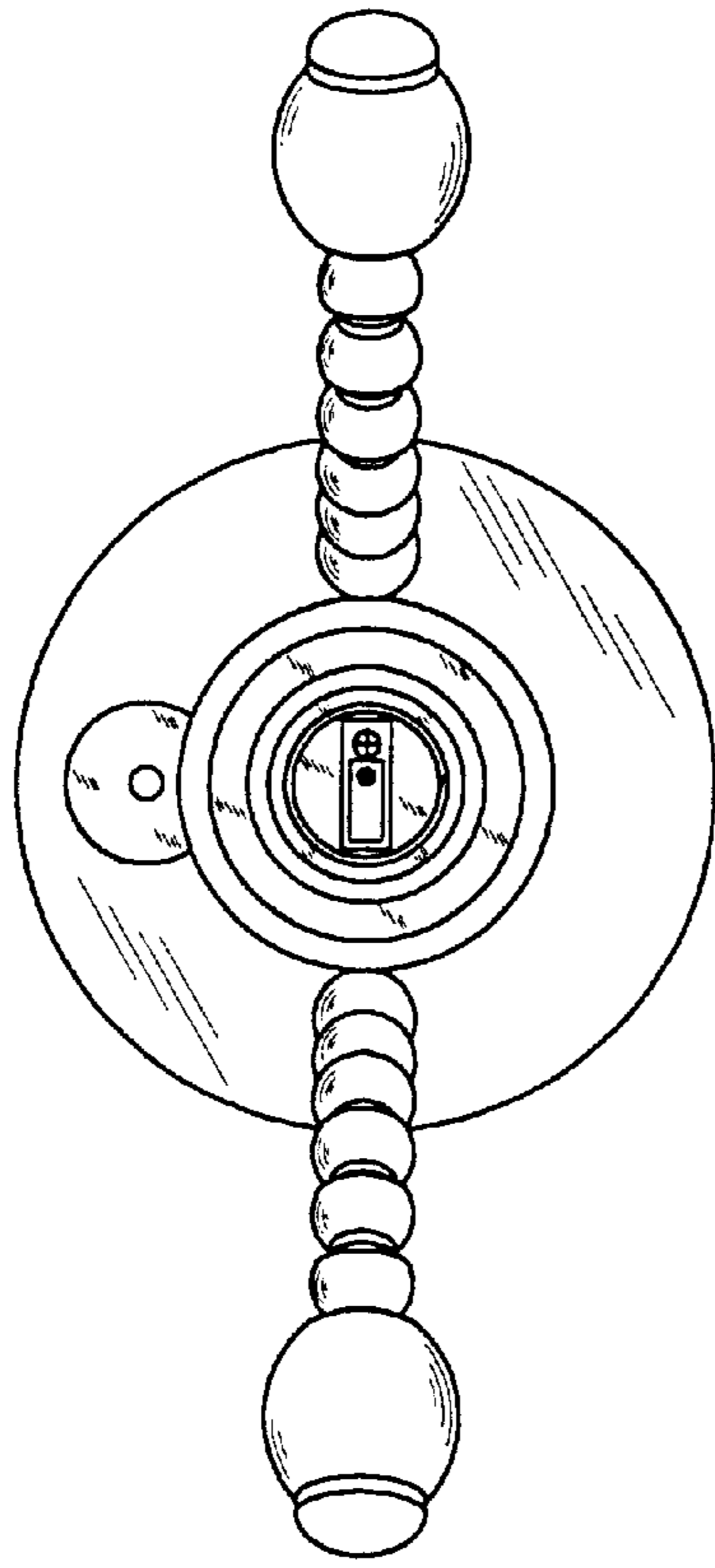


FIG. 6

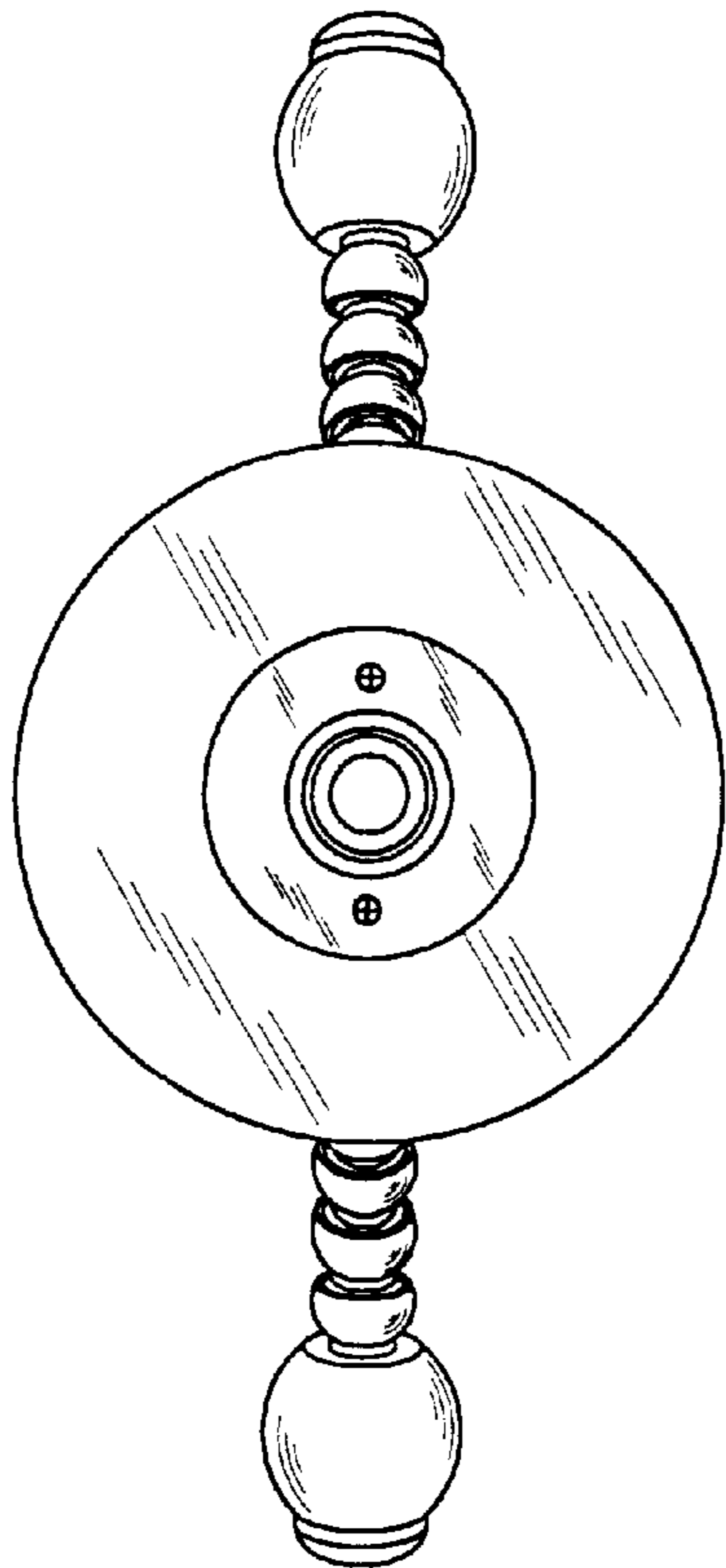


FIG. 5

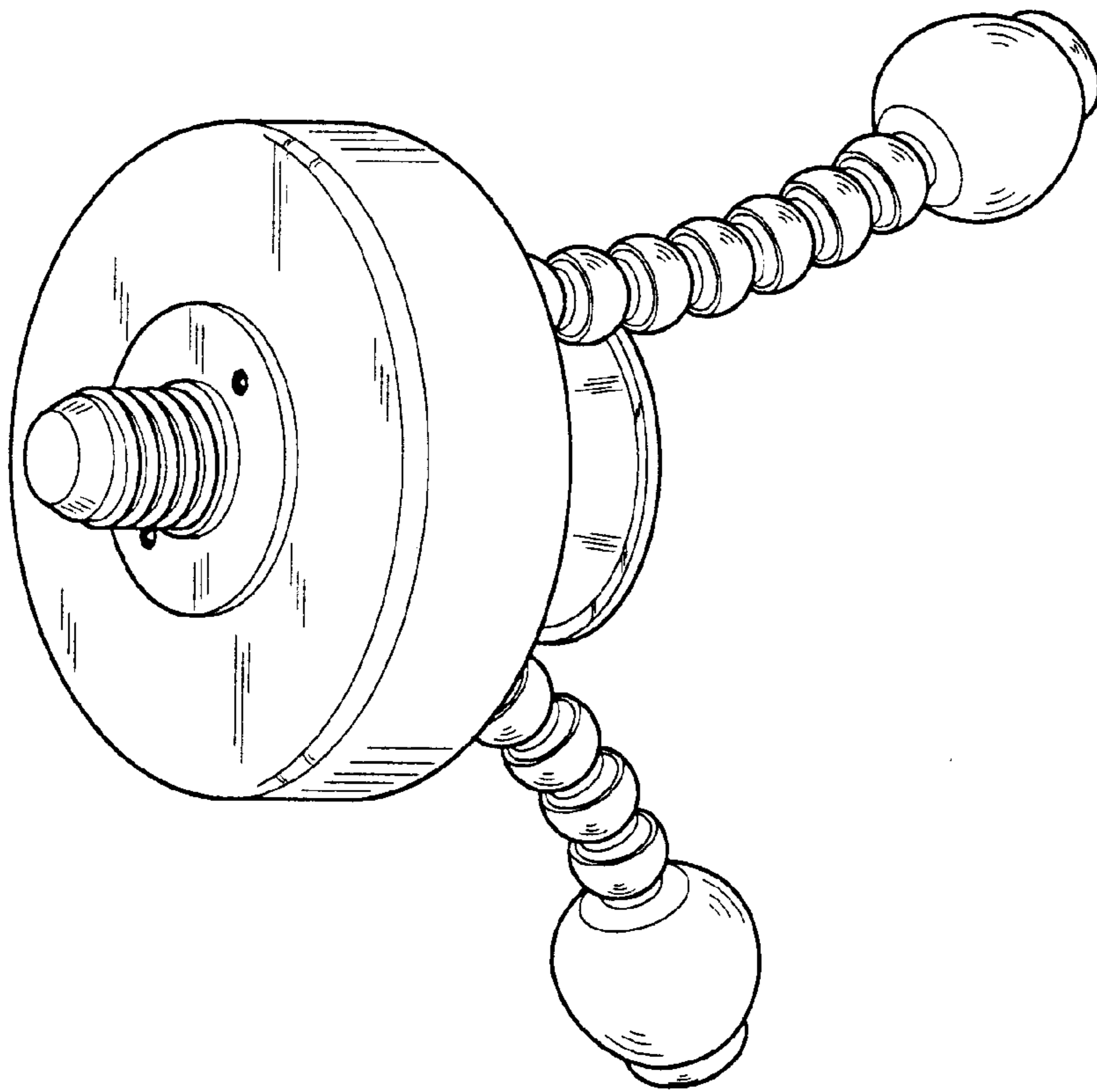


FIG. 7

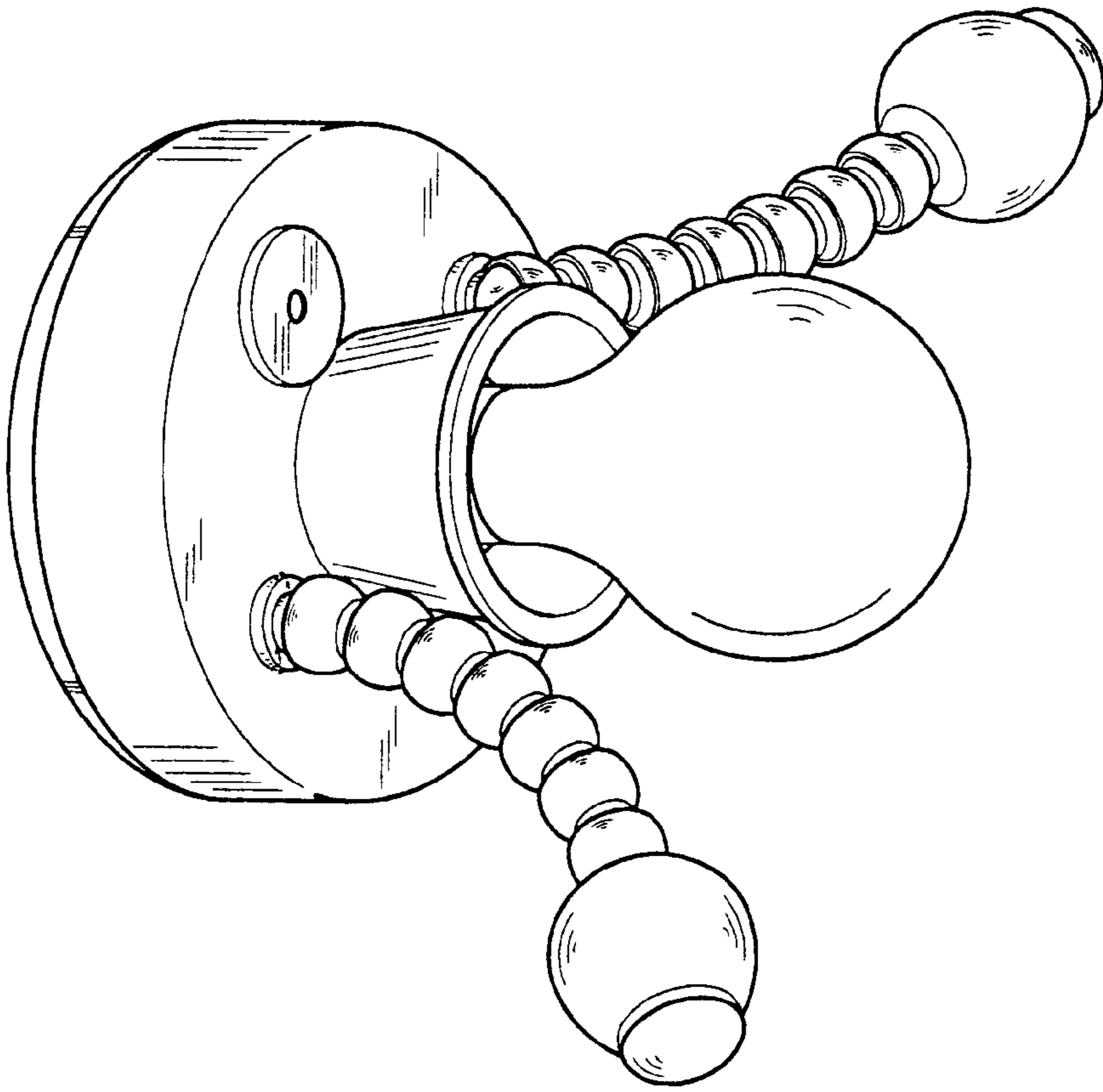


FIG. 8