



US00D419091S

United States Patent [19]

Pattison et al.

[11] Patent Number: **Des. 419,091**

[45] Date of Patent: **** Jan. 18, 2000**

[54] **LIQUID LEVEL SENDER ASSEMBLY**

[75] Inventors: **Will Pattison**, Austin; **Jeffrey A. Reed**, Cedar Park, both of Tex.

[73] Assignee: **Rochester Gauges, Inc.**, Dallas, Tex.

[**] Term: **14 Years**

[21] Appl. No.: **29/102,809**

[22] Filed: **Apr. 1, 1999**

[51] **LOC (7) Cl.** **10-04**

[52] **U.S. Cl.** **D10/101**

[58] **Field of Search** D10/101, 96; 73/313, 73/319, 322.5

[56] **References Cited**

U.S. PATENT DOCUMENTS

Re. 34,679	8/1994	Ritzenthaler et al.	73/317
D. 397,631	9/1998	Riegel	D10/101
4,107,998	8/1978	Taylor	73/313
4,441,364	4/1984	Montie	73/313
4,532,491	7/1985	Rau et al.	73/313
4,841,771	6/1989	Glover et al.	73/317
4,924,704	5/1990	Gaston	73/317
4,928,526	5/1990	Weaver	73/313
5,140,303	8/1992	Meyer	340/450.2
5,216,919	6/1993	Nelson et al.	73/317

5,333,499	8/1994	Gaston	73/317
5,341,679	8/1994	Walkowski et al.	73/317
5,375,467	12/1994	Banse	73/290 R

OTHER PUBLICATIONS

Rochester Gauges, Inc., Industrial Liquid Level Gauges, Specifications Brochure, 12 pages (undated).

Primary Examiner—Antoine Duval Davis
Attorney, Agent, or Firm—Sidley & Austin

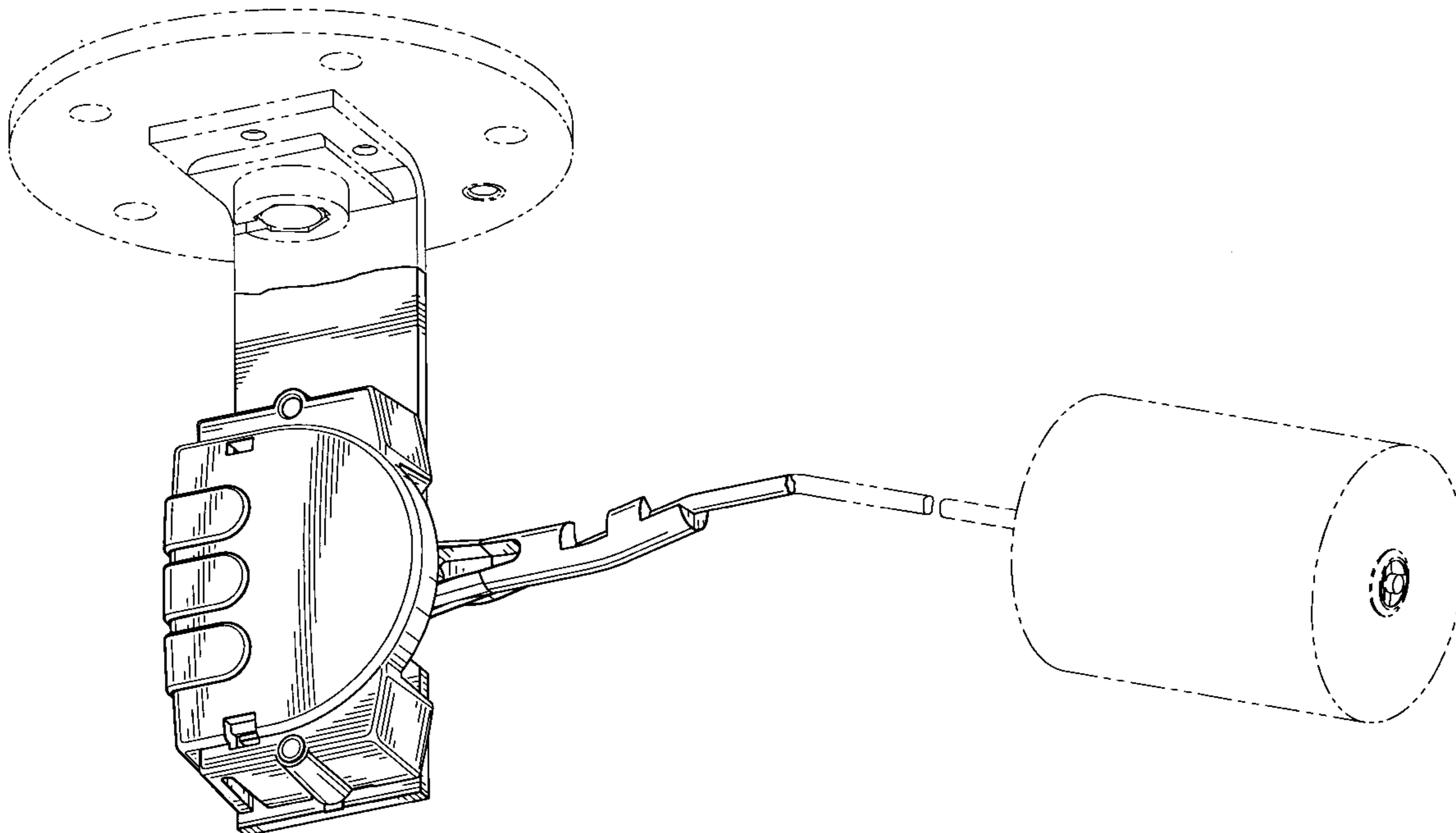
[57] **CLAIM**

The ornamental design for a liquid level sender assembly, as shown and described.

DESCRIPTION

FIG. 1 is a perspective view of our liquid level sender assembly;
FIG. 2 is a front view thereof;
FIG. 3 is a right side view thereof;
FIG. 4 is a back view thereof;
FIG. 5 is a left side view thereof;
FIG. 6 is a top view thereof; and,
FIG. 7 is a bottom view thereof.
The broken line showing of the environment in FIG. 1 is for illustrative purposes only and forms no part of the claimed design.

1 Claim, 3 Drawing Sheets



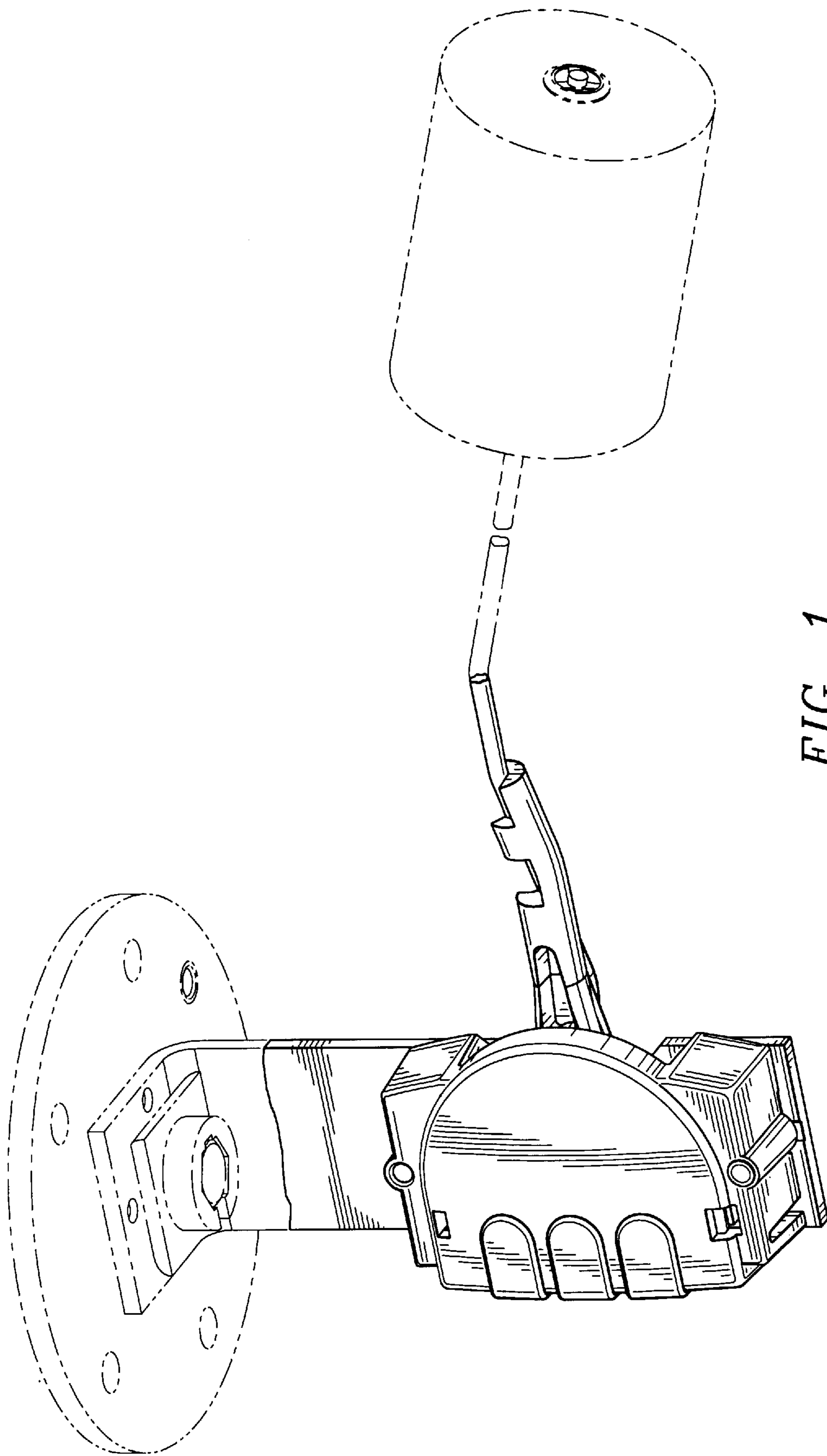


FIG. 1

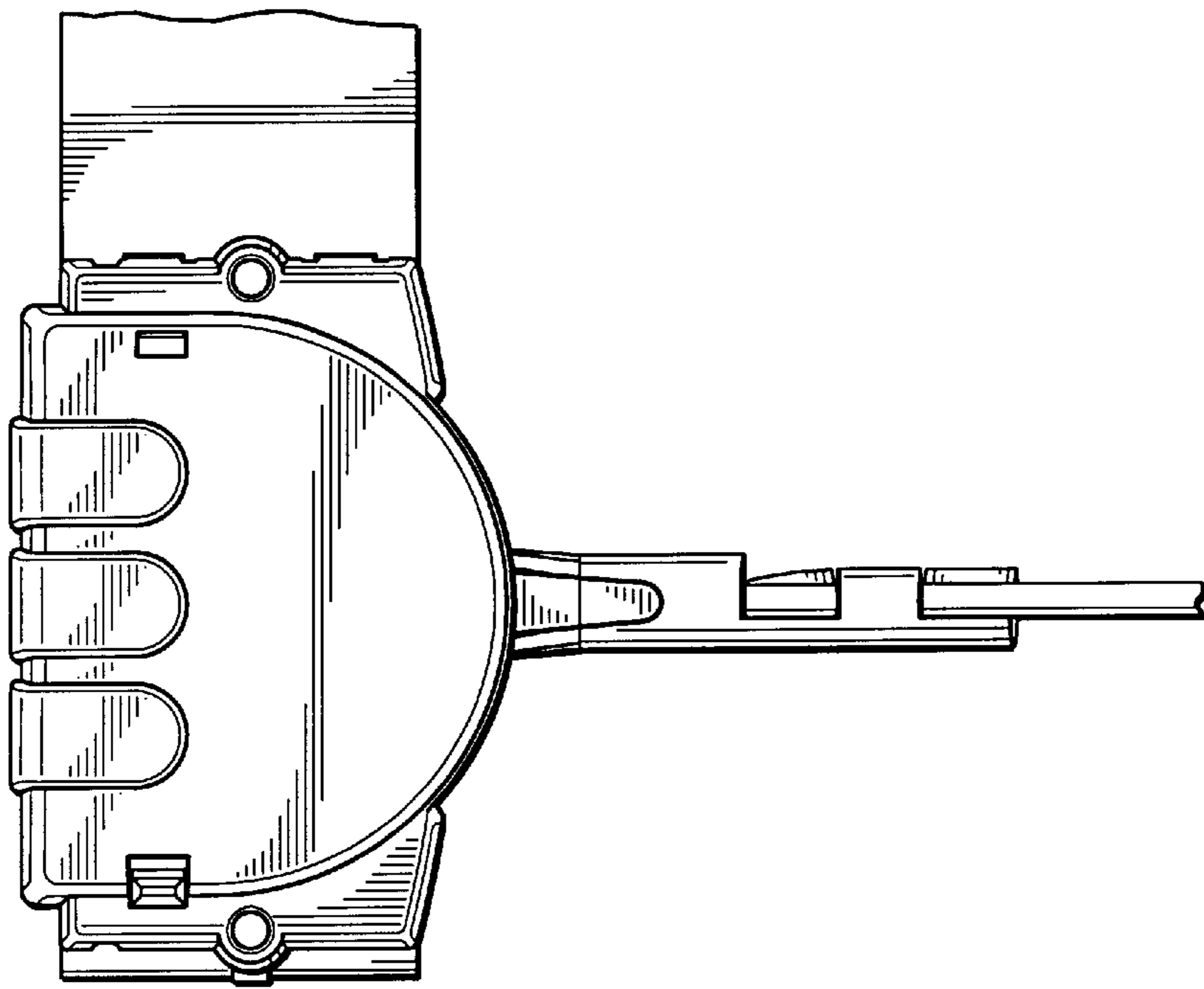


FIG. 2

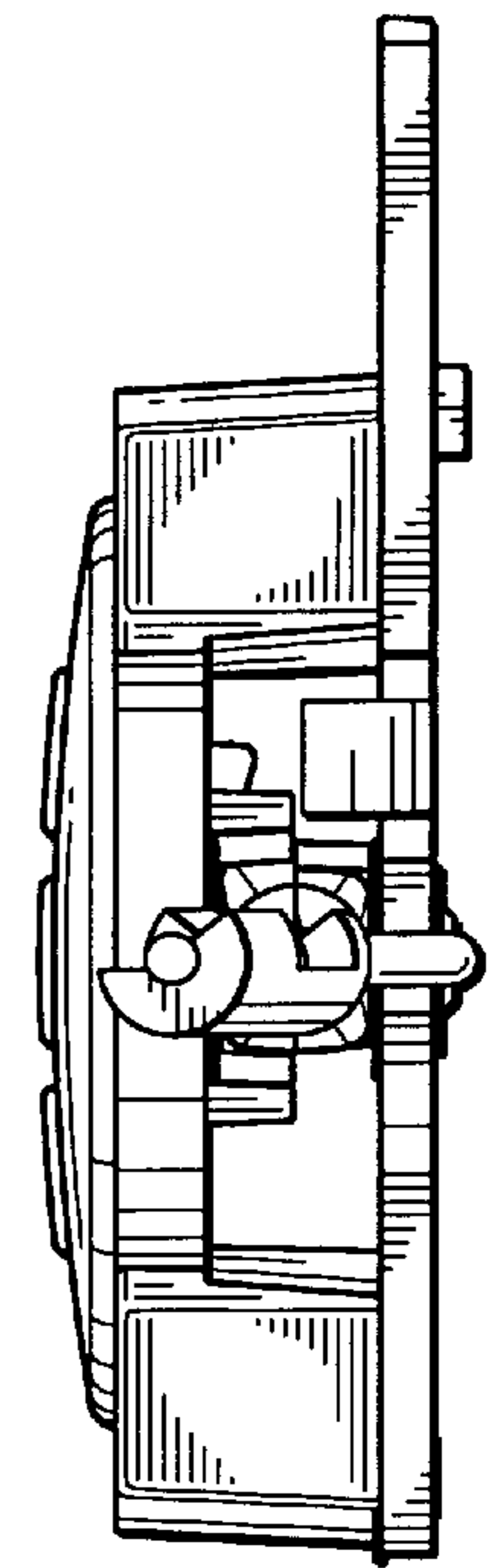


FIG. 3

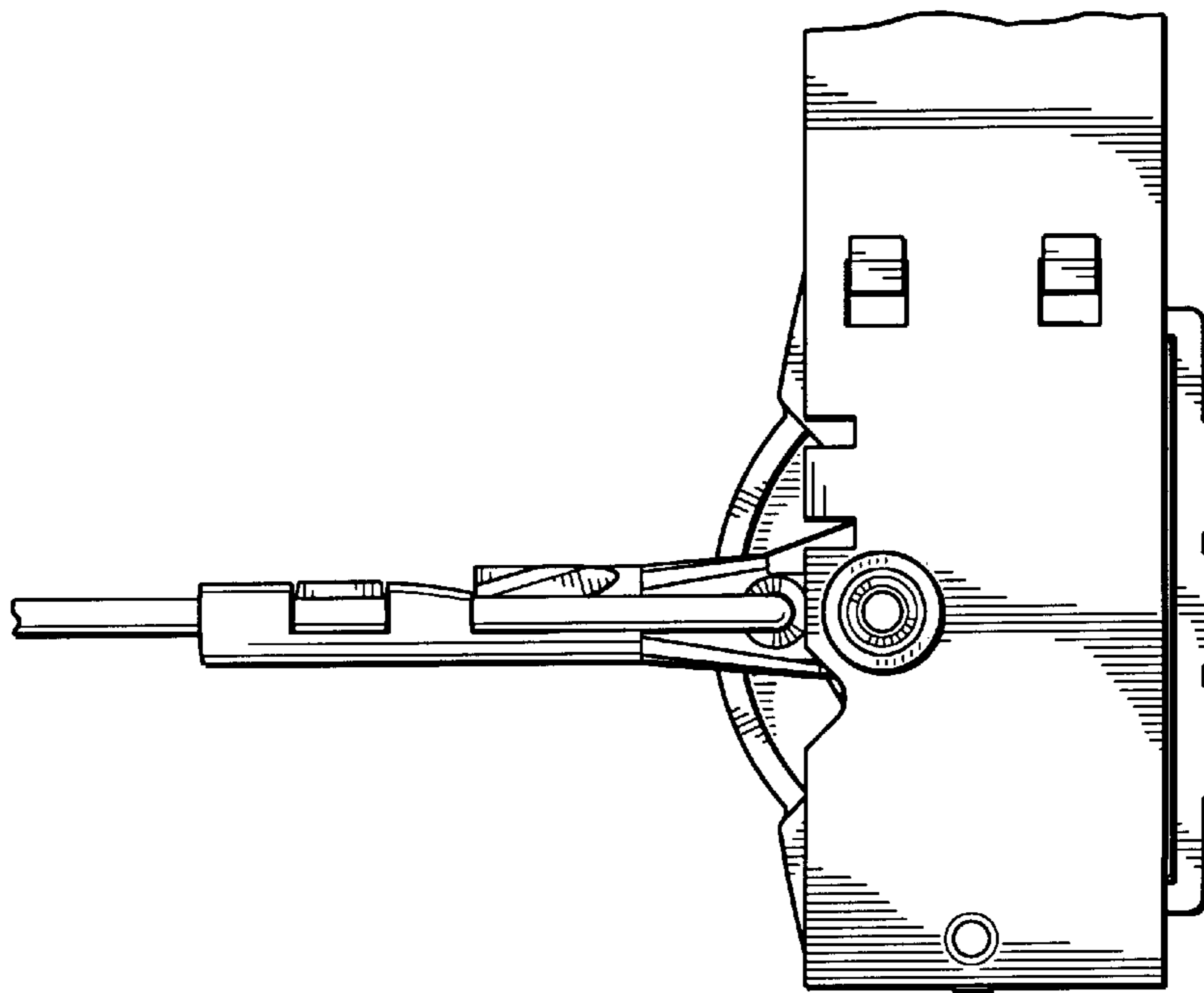


FIG. 4

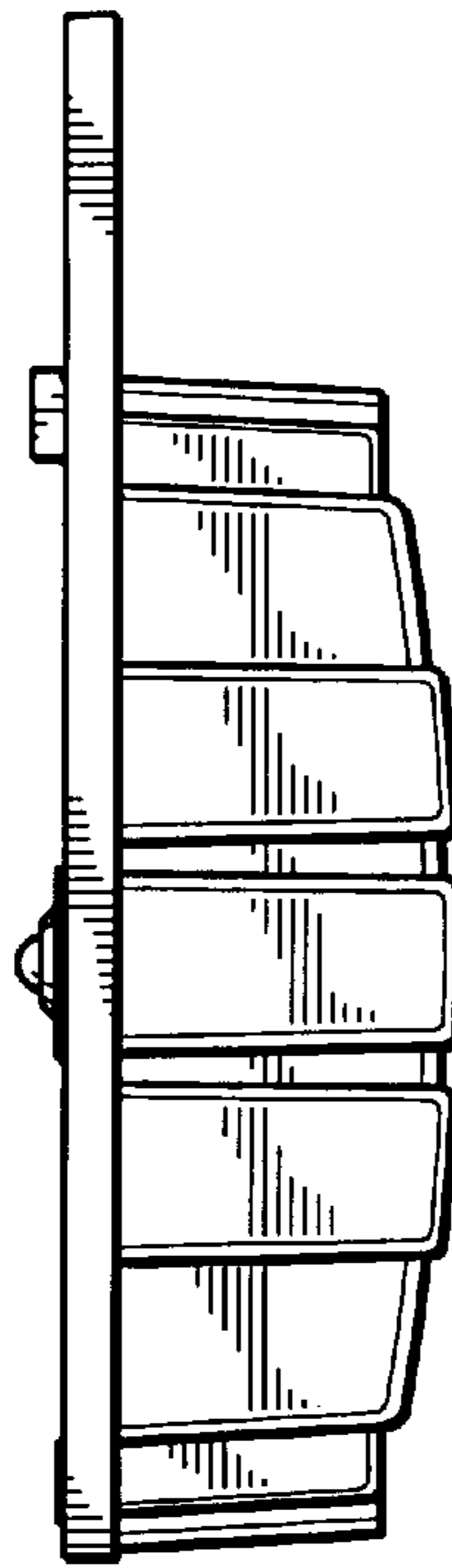


FIG. 5

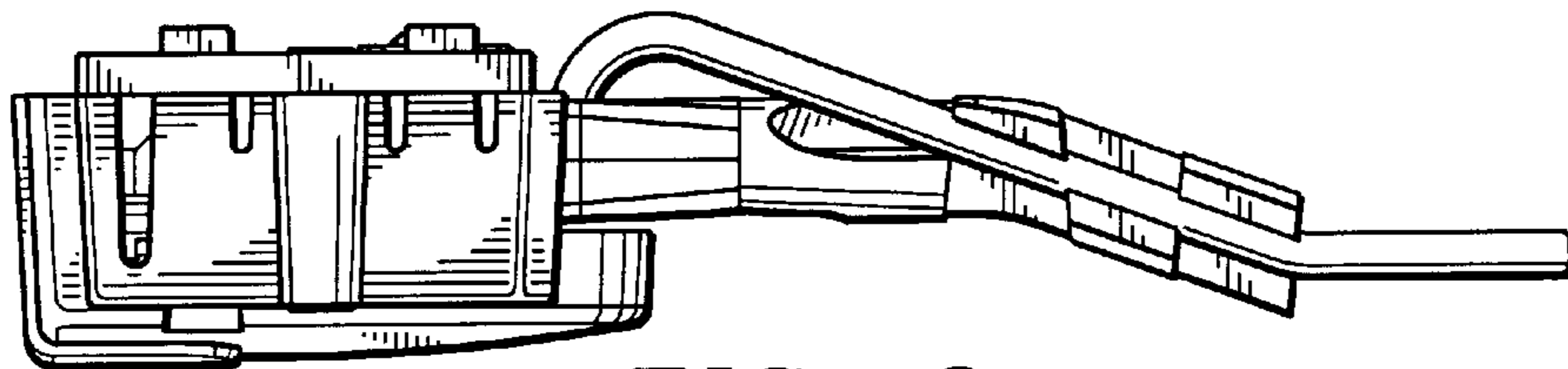


FIG. 6

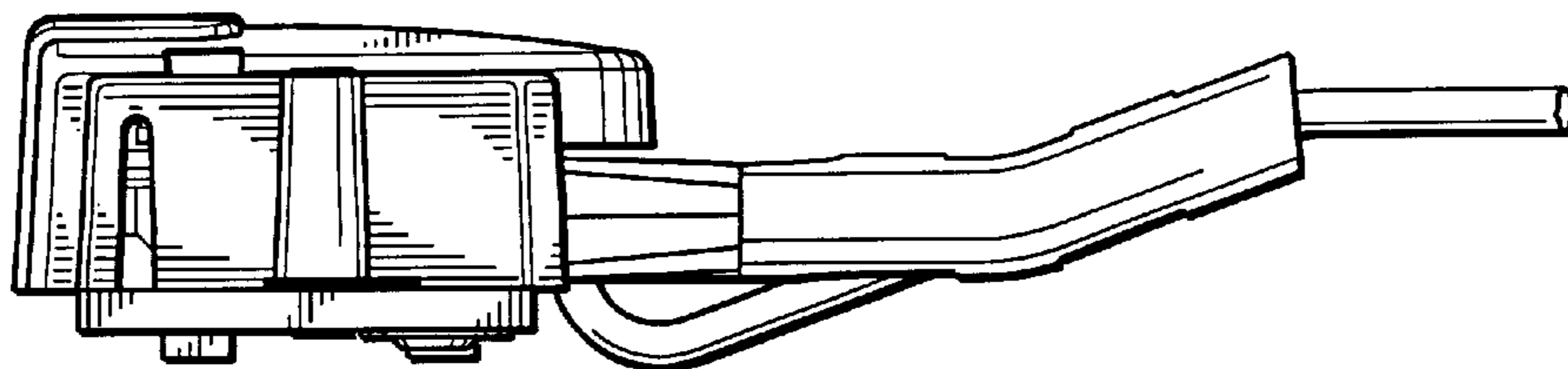


FIG. 7