



US00D419087S

# United States Patent [19]

[11] **Patent Number: Des. 419,087**

**Arnold et al.**

[45] **Date of Patent: \*\* Jan. 18, 2000**

[54] **SCALE DISPLAY**

5,207,284 5/1993 Douglas et al. .... 177/241

[75] Inventors: **Gregory J. Arnold**, Saint Johnsbury;  
**Michael P. Conner**, Danville; **James S. Havers**, Saint Johnsbury, all of Vt.; **Ben H. Graves**, Stilwell, Kans.; **David K. Crabbe**, West Millbury, Mass.; **David C. Elms**, Marlboro, Mass.; **Bonnie L. Crabbe**, West Millbury, Mass.

*Primary Examiner*—Antoine Duval Davis  
*Attorney, Agent, or Firm*—William B. Kircher; Shook, Hardy & Bacon, LLP

[73] Assignee: **Fairbanks Scales**, Kansas City, Mo.

[\*\*] Term: **14 Years**

[21] Appl. No.: **29/098,578**

[22] Filed: **Dec. 31, 1998**

[51] **LOC (7) Cl.** ..... **10-04**

[52] **U.S. Cl.** ..... **D10/94**

[58] **Field of Search** ..... D10/93, 94; 177/238-245

### [56] **References Cited**

#### U.S. PATENT DOCUMENTS

D. 281,403 11/1985 Zeigner et al. .... D10/93

### [57] **CLAIM**

The ornamental design for a scale display, as shown and described.

### **DESCRIPTION**

FIG. 1 is a front elevational view of a scale display showing our new design;

FIG. 2 is a side elevational view thereof;

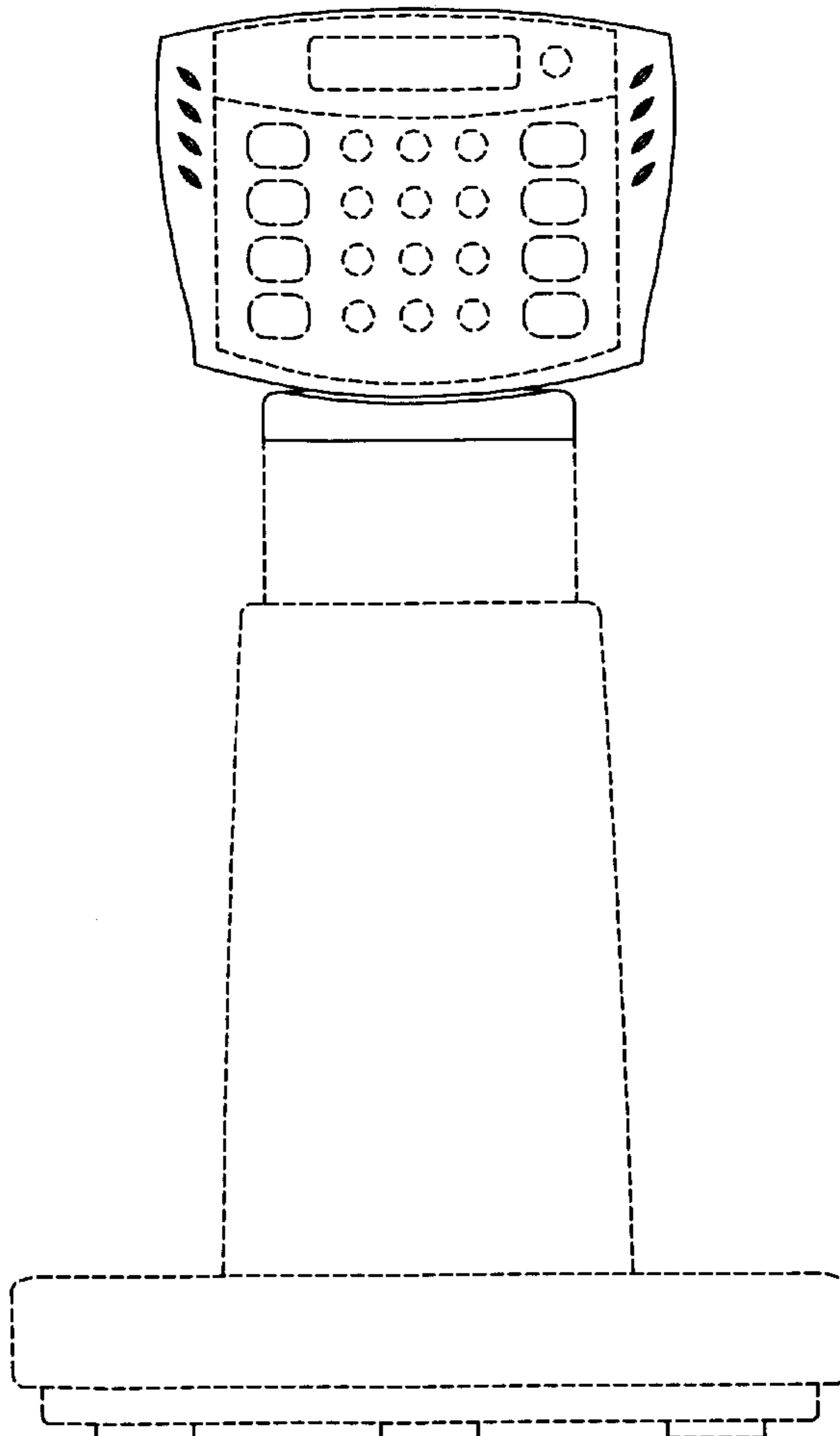
FIG. 3 is a rear elevational view thereof;

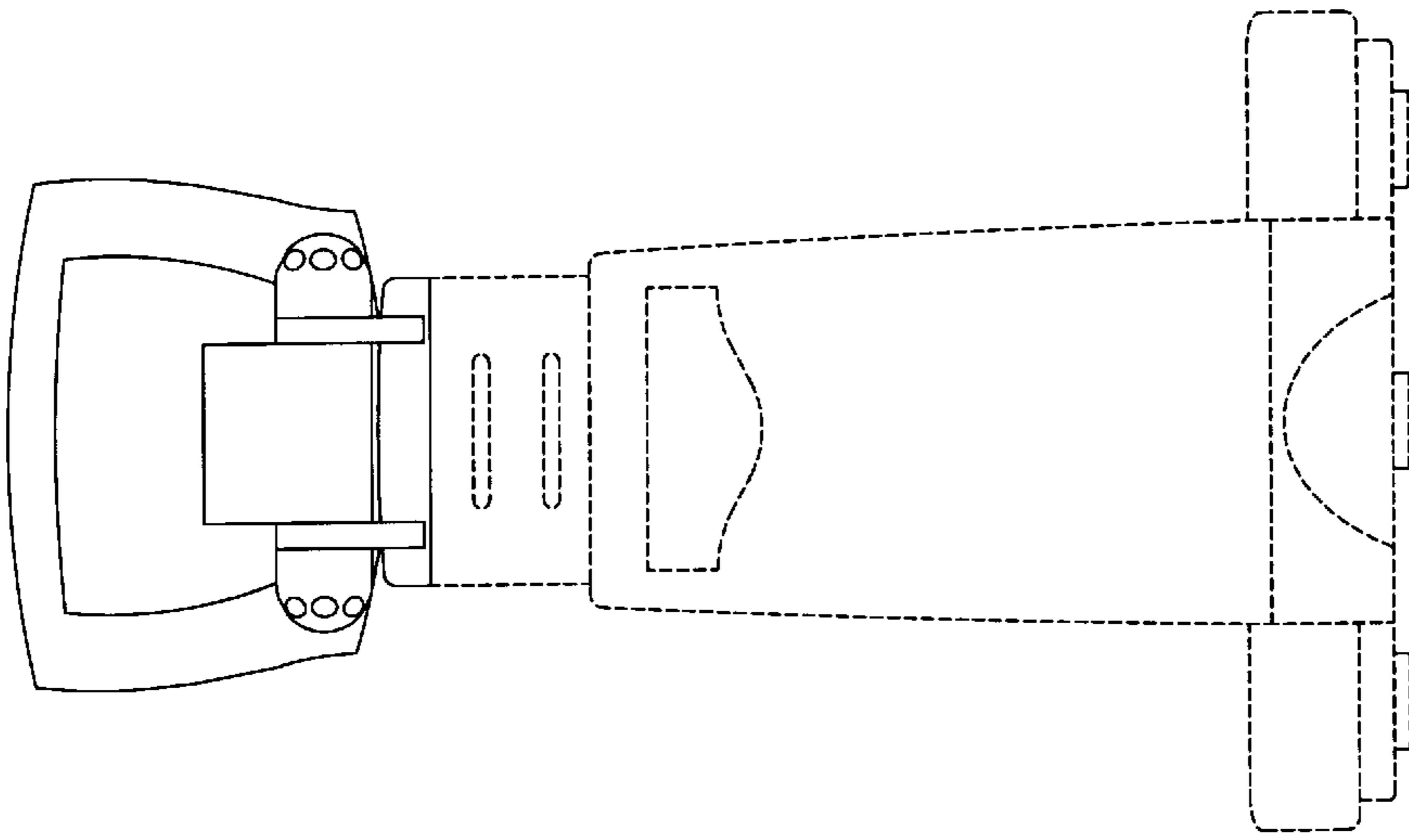
FIG. 4 is a top plan view thereof; and,

FIG. 5 is a bottom plan view thereof.

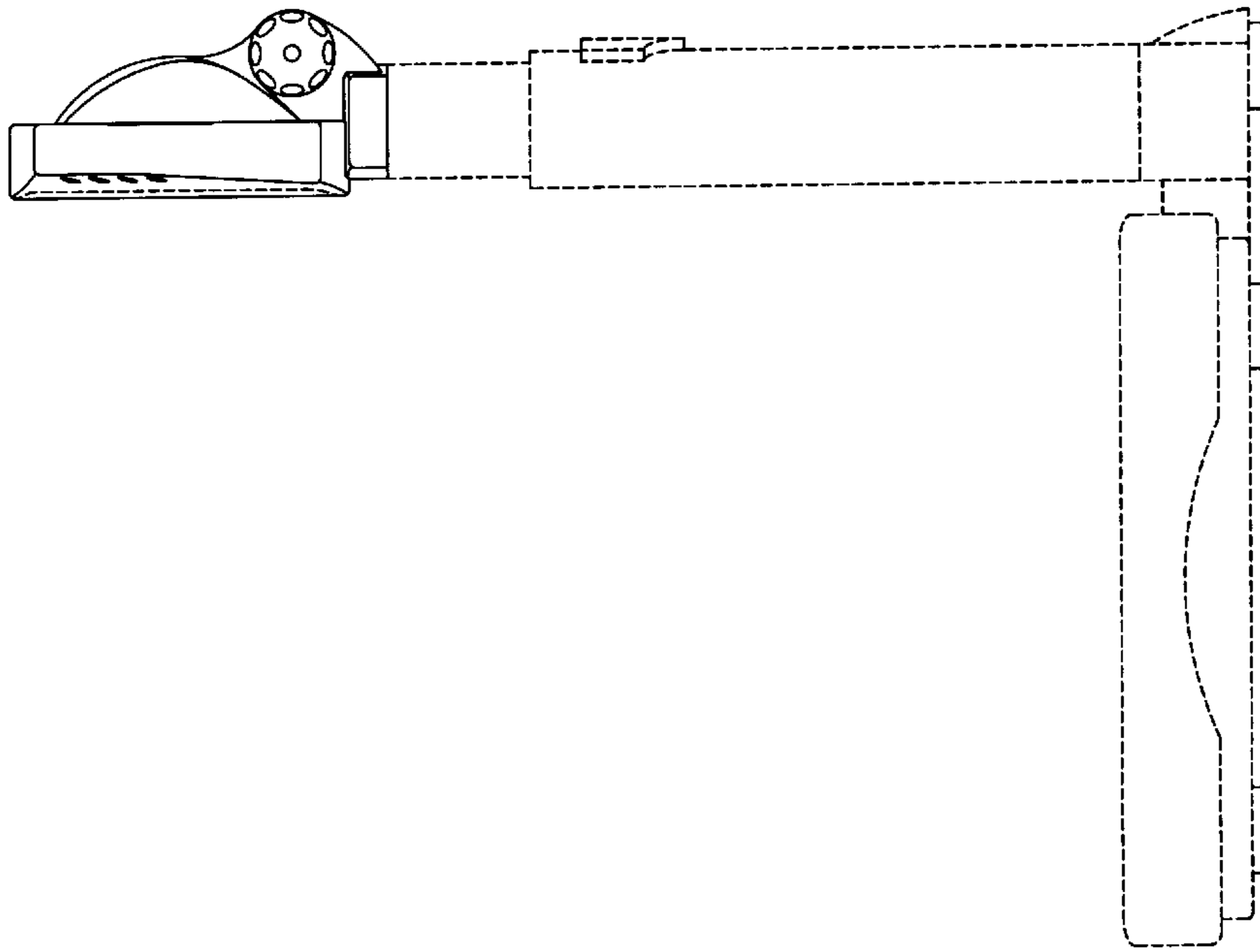
The broken lines are for purposes of illustration only and form no part of the claimed design.

**1 Claim, 2 Drawing Sheets**

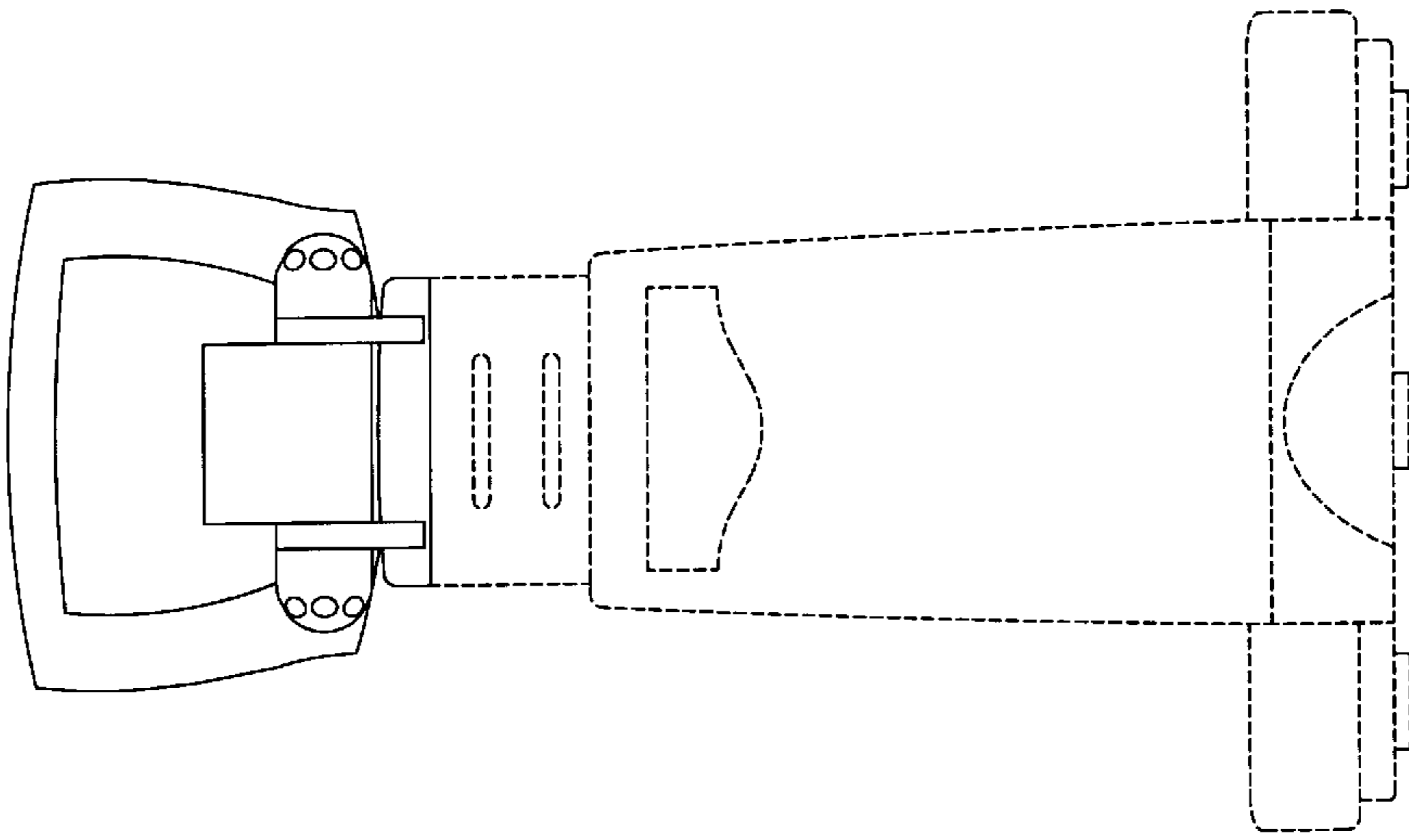




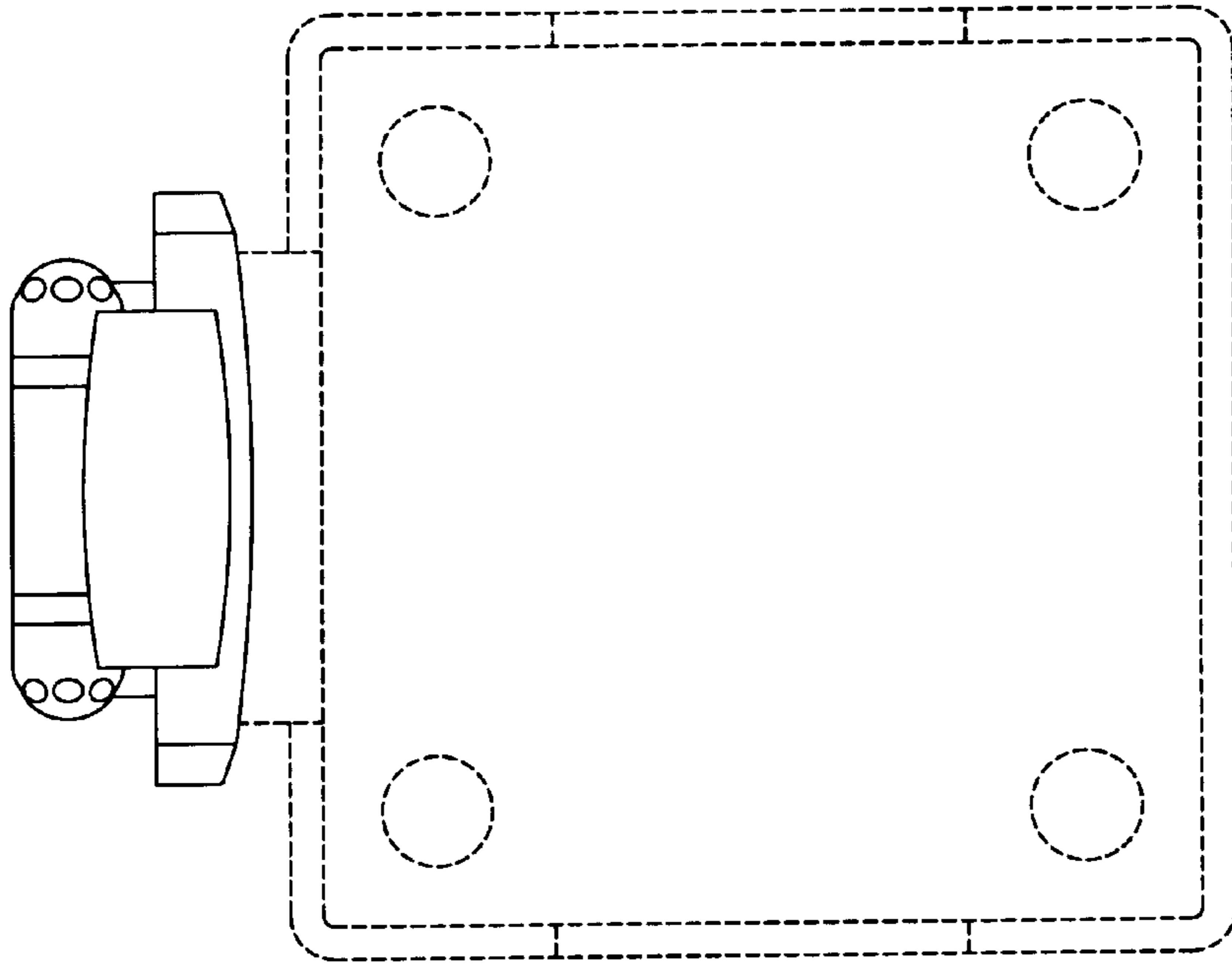
*Fig. 1.*



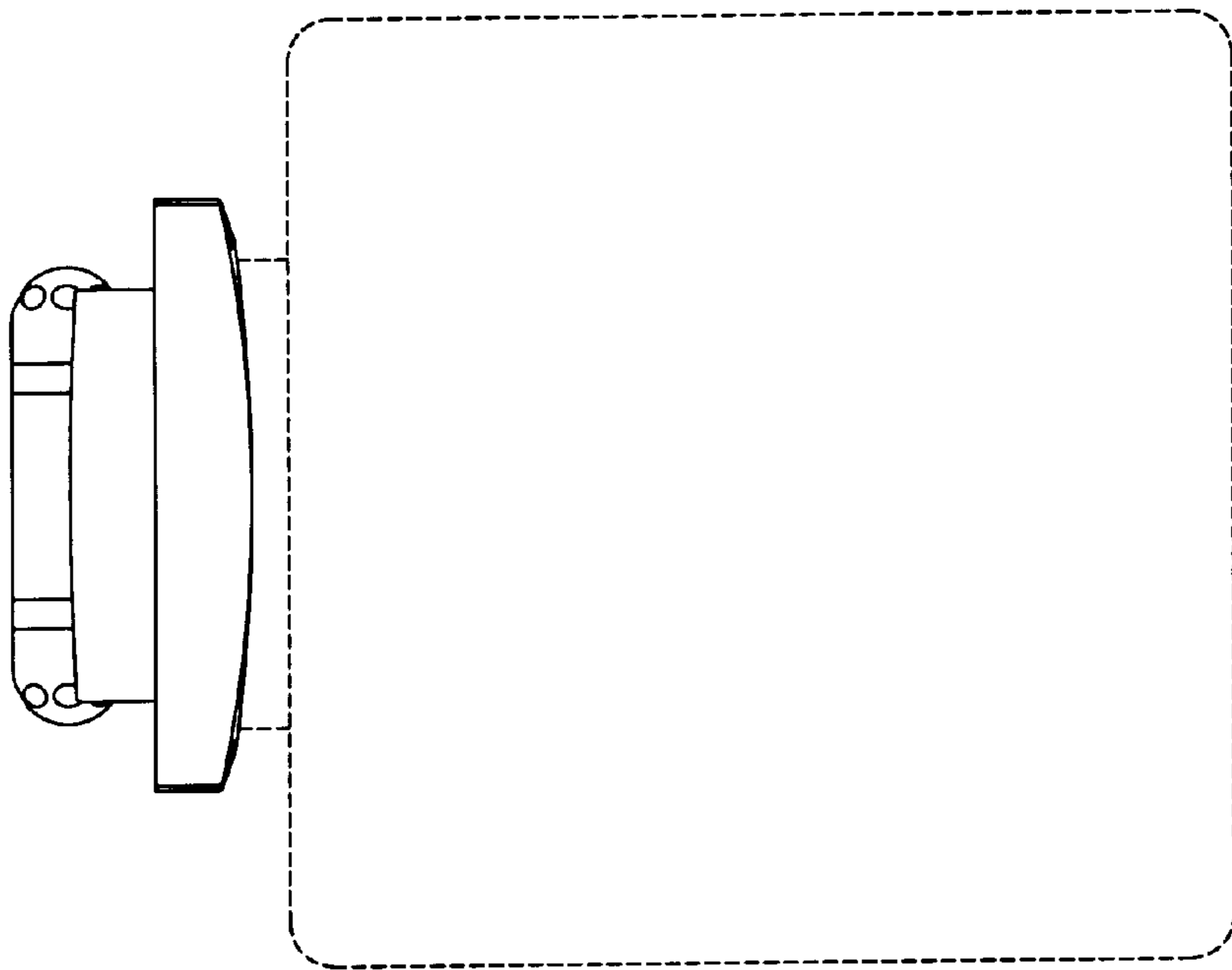
*Fig. 2.*



*Fig. 3.*



*Fig. 5.*



*Fig. 4.*