



US00D419086S

United States Patent [19] Schmid

[11] **Patent Number: Des. 419,086**

[45] **Date of Patent: ** Jan. 18, 2000**

[54] **COMPACT BALANCE**

[75] Inventor: **Jürgen R. Schmid**, Ammerbuch, Germany

[73] Assignee: **Mettler-Toledo GmbH**, Greifensee, Switzerland

[**] Term: **14 Years**

[21] Appl. No.: **29/099,678**

[22] Filed: **Jan. 26, 1999**

[30] **Foreign Application Priority Data**

Aug. 12, 1998 [XH] Hague Agreement 124013401

[51] **LOC (7) Cl.** **10-04**

[52] **U.S. Cl.** **D10/91**

[58] **Field of Search** D10/91; 177/238-245

[56] **References Cited**

U.S. PATENT DOCUMENTS

D. 389,076 1/1998 Beckstrom et al. D10/91

D. 395,018 6/1998 Beckstrom et al. D10/91
D. 401,173 11/1998 Kurata et al. D10/91

Primary Examiner—Antoine Duval Davis
Attorney, Agent, or Firm—Laubscher & Laubscher

[57] **CLAIM**

The ornamental design for a compact balance, as shown.

DESCRIPTION

FIG. 1 is a right side elevation view of a rectangular first embodiment of the compact balance;
FIG. 2 is a left side elevation view of the compact balance of FIG. 1;
FIG. 3 is a front elevation view of the compact balance;
FIG. 4 is a rear elevation view of the compact balance;
FIG. 5 is a bottom plan view of the compact balance;
FIG. 6 is a top plan view of the compact balance;
FIG. 7 is a front perspective view of the balance of FIG. 1; and,
FIG. 8 is a front perspective view of a square second embodiment of the compact balance.

1 Claim, 6 Drawing Sheets

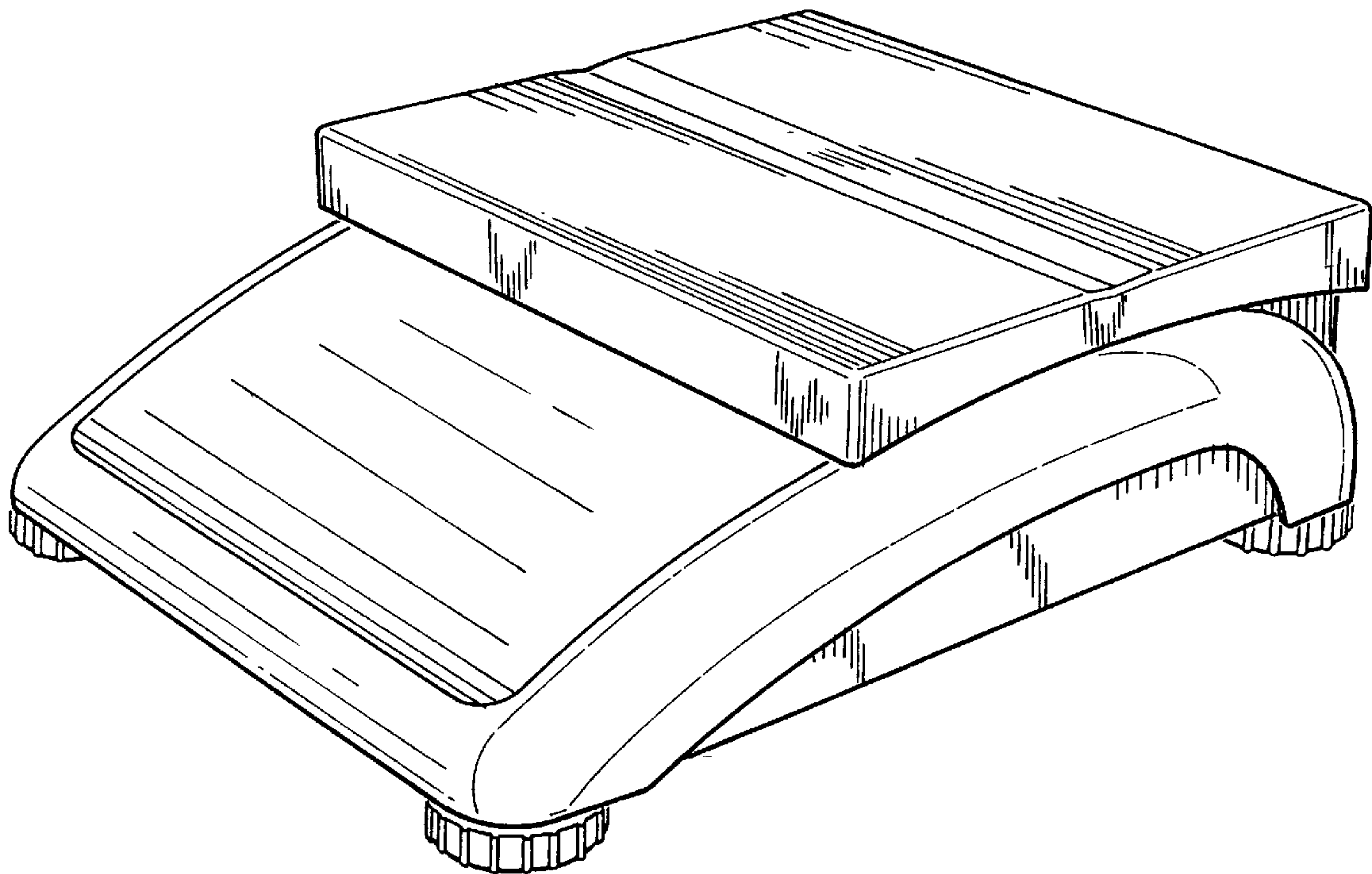


FIG. 1

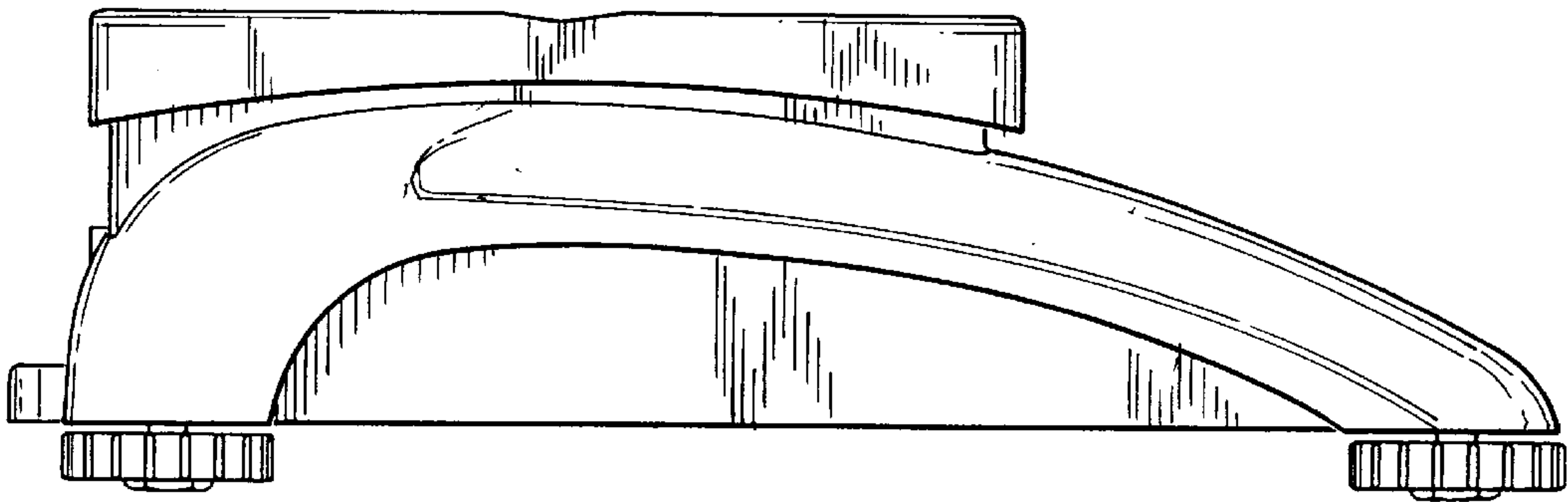
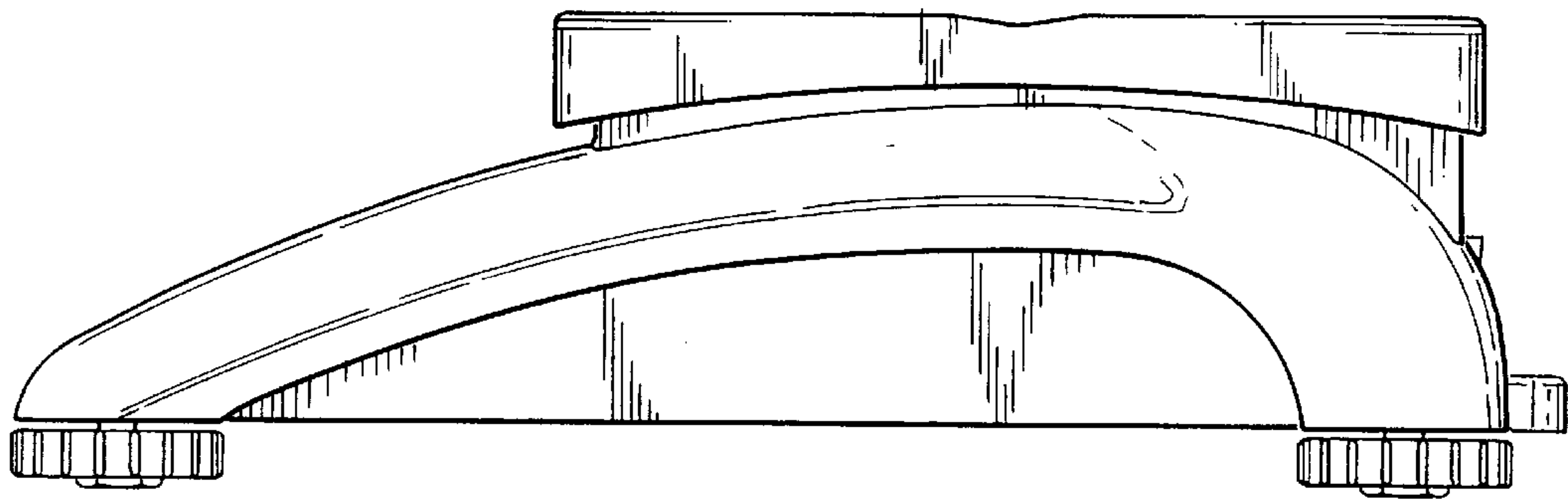


FIG. 2

FIG. 3

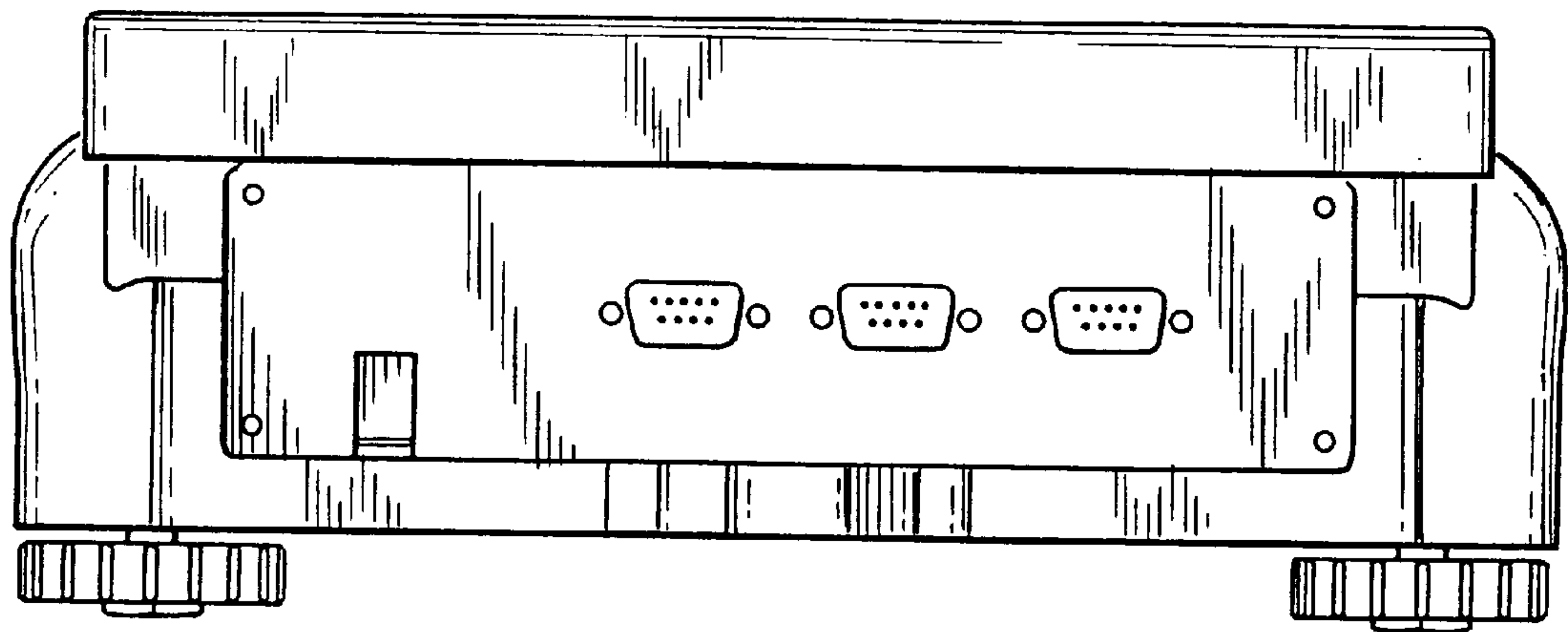
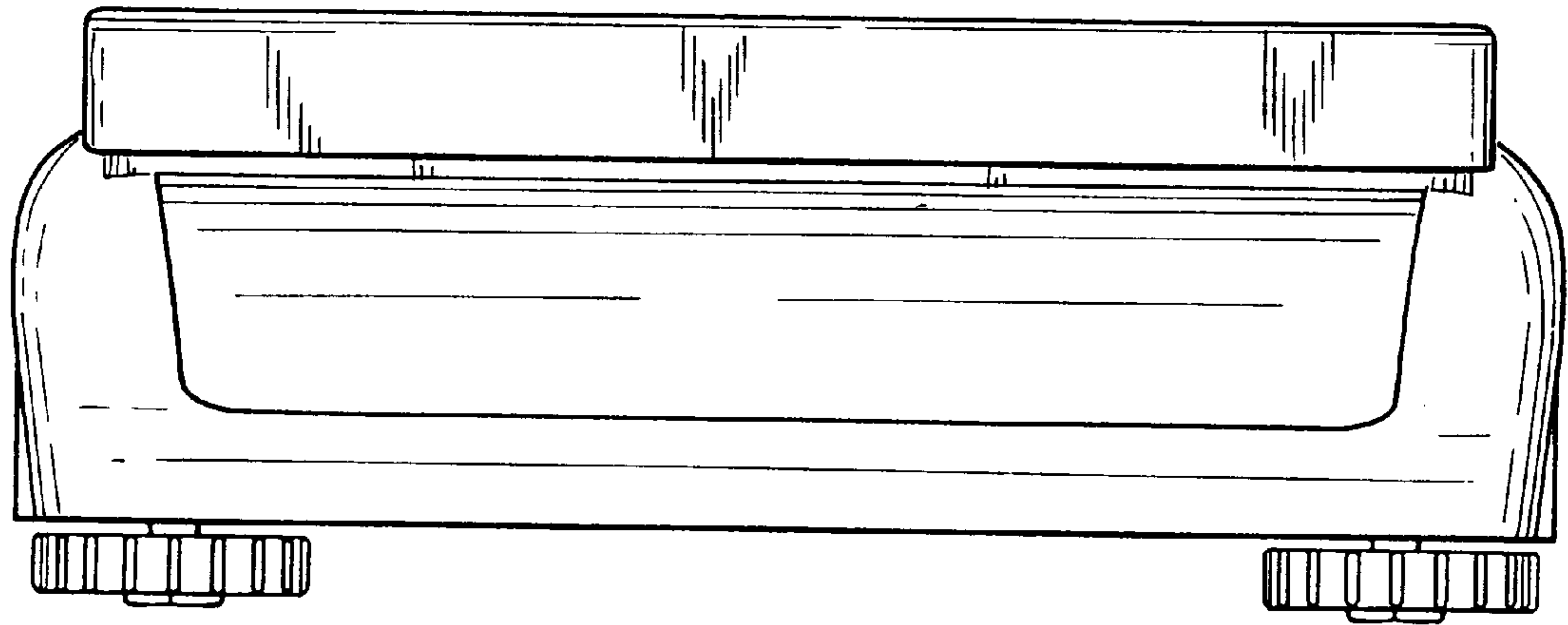
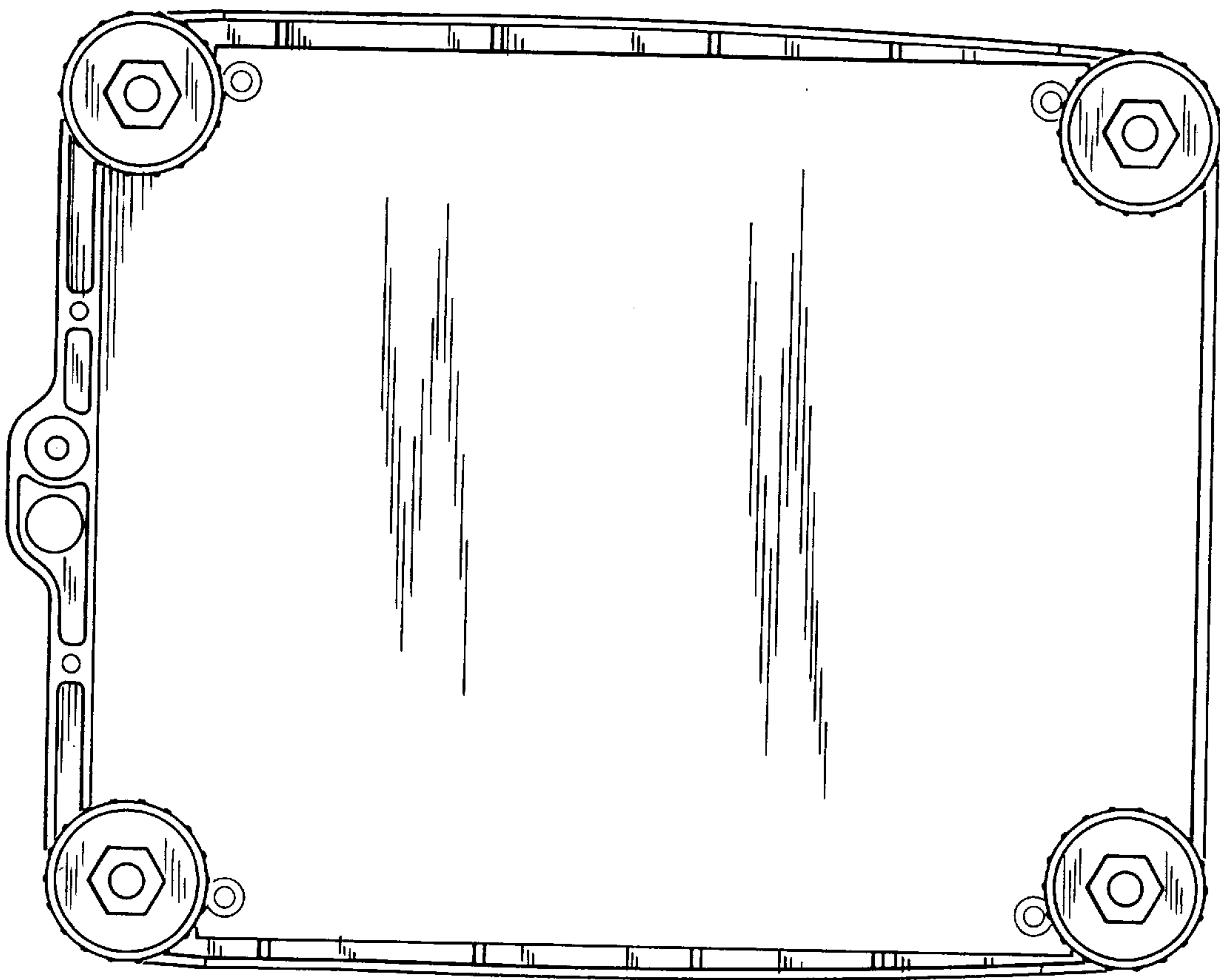


FIG. 4

FIG. 5



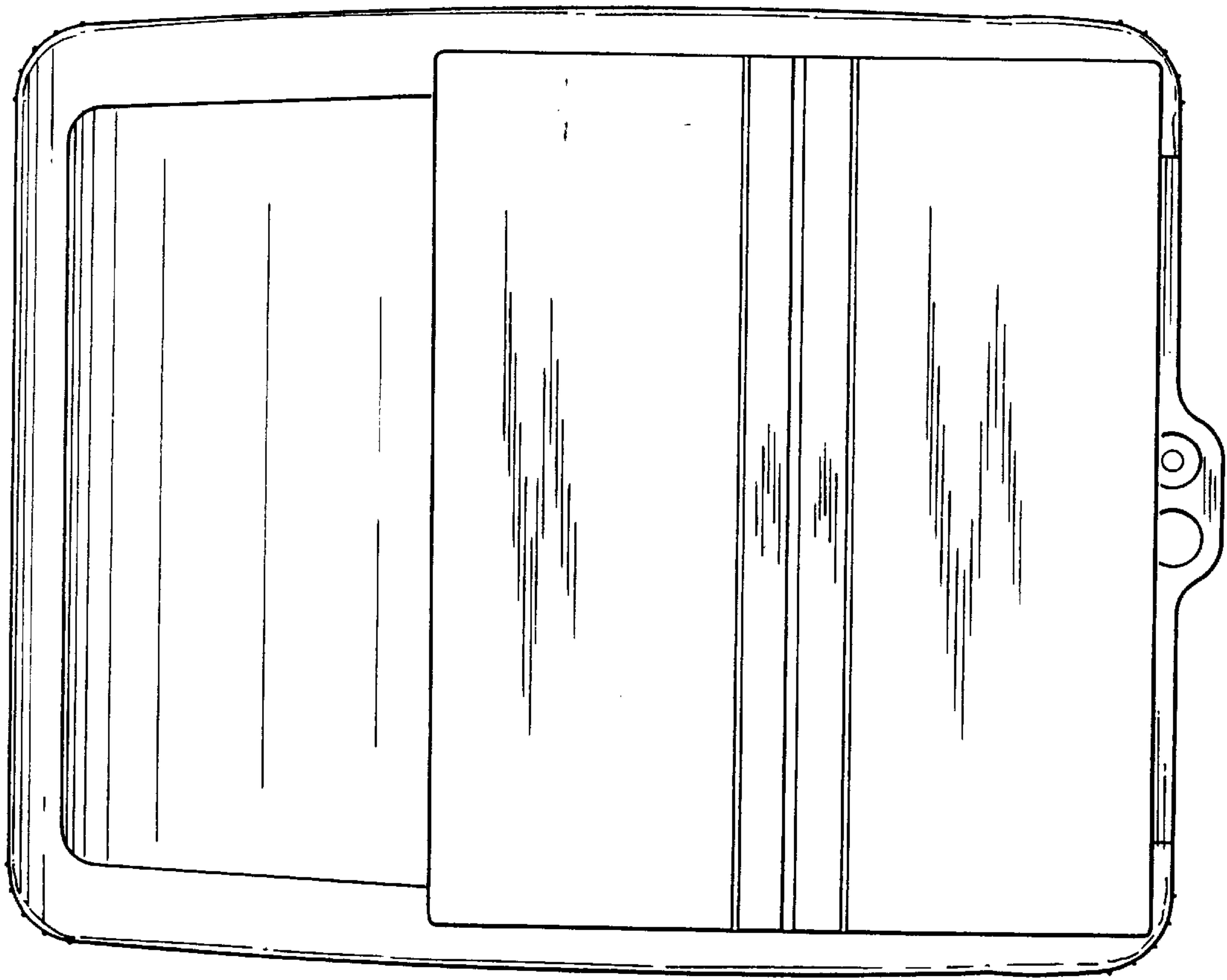


FIG. 6

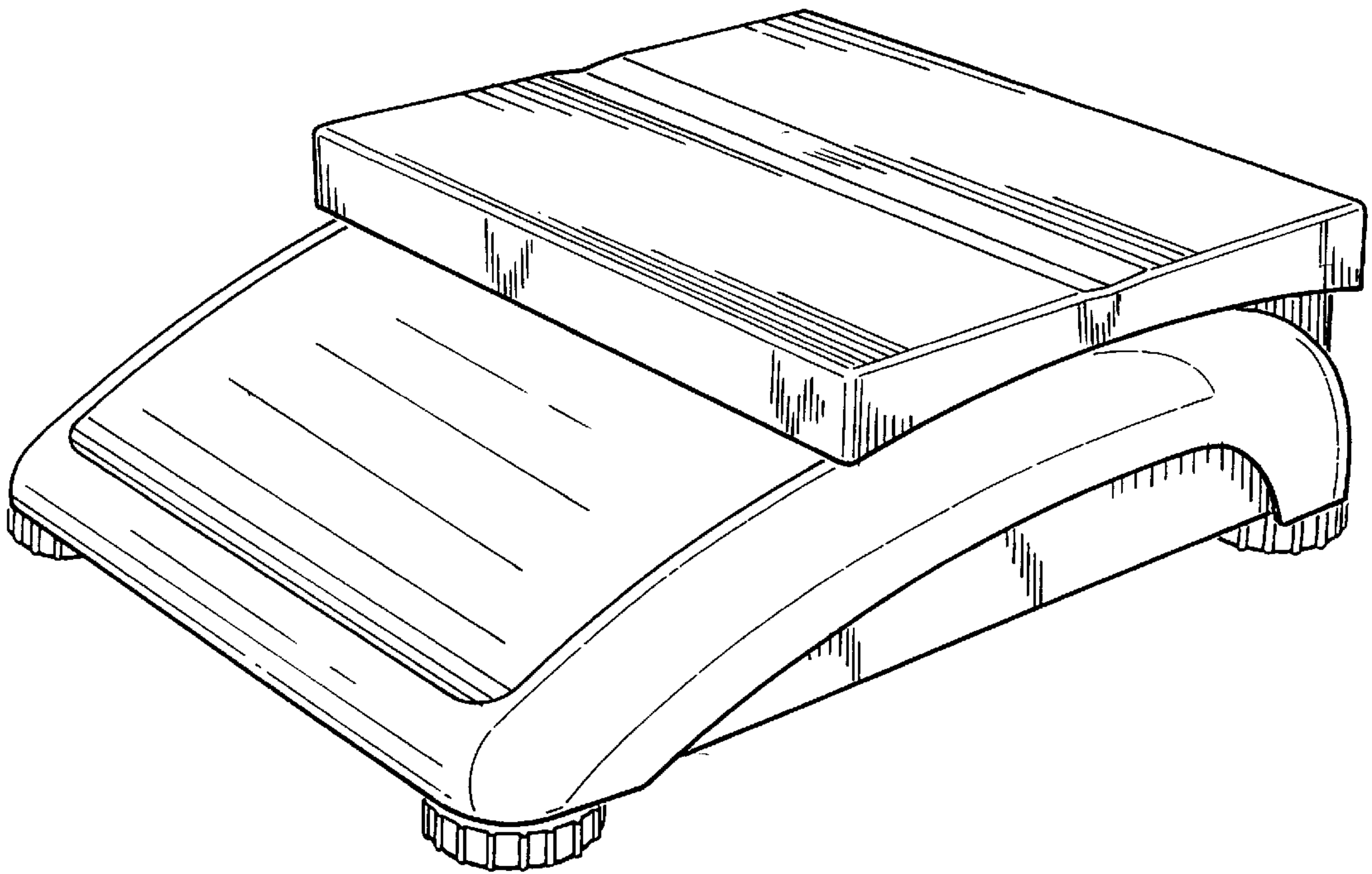


FIG. 7

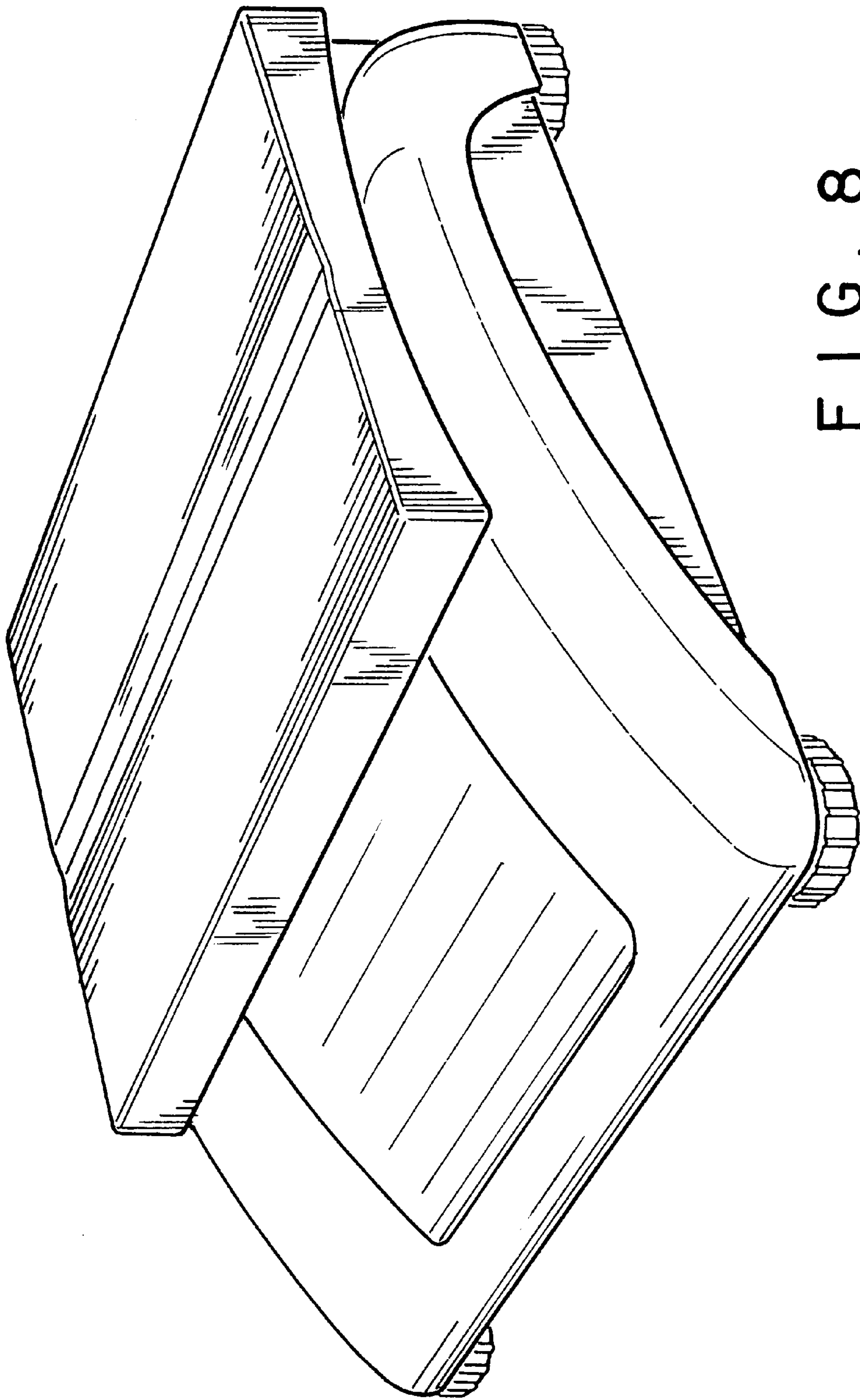


FIG. 8