



US00D419081S

United States Patent [19]

Evans, Jr. et al.

[11] Patent Number: Des. 419,081

[45] Date of Patent: ** Jan. 18, 2000

[54] TAPE MEASURE

[75] Inventors: **John Joseph Evans, Jr.**, Charleston;
Roger Dennis Thibodeau, North
Charleston, both of S.C.; **Wayne
Patrick Phillips**, Hudson, Wis.; **Jerome
Allan Grunstad**, Inver Grove Heights,
Minn.

[73] Assignee: **The L. S. Starrett Company**, Athol,
Mass.

[**] Term: **14 Years**

[21] Appl. No.: **29/102,702**

[22] Filed: **Mar. 30, 1999**

[51] LOC (7) Cl. **10-04**

[52] U.S. Cl. **D10/72**

[58] Field of Search D10/72; 33/755-769;
242/252, 381.4, 381.6

[56] References Cited

U.S. PATENT DOCUMENTS

- D. 342,687 12/1993 Kang .
- D. 350,703 9/1994 Fifer D10/72
- D. 375,269 11/1996 Wertheim et al. .
- D. 379,771 6/1997 Hsu .
- 897,977 9/1908 Grant .
- 1,686,956 10/1928 Bull .
- 1,800,911 4/1931 Smith .
- 1,927,216 9/1933 Porter et al. .
- 2,575,354 11/1951 Mills .
- 2,728,143 12/1955 Buchet .
- 3,065,925 11/1962 Appleton .
- 3,375,590 4/1968 Quenot .

- 3,450,367 6/1969 Edgell .
- 3,689,004 9/1972 Brown et al. .
- 3,716,201 2/1973 West .
- 4,363,171 12/1982 Scandella .
- 4,527,334 7/1985 Jones et al. .
- 5,210,956 5/1993 Knispel et al. .
- 5,367,785 11/1994 Benarroch .
- 5,746,004 5/1998 Wertheim .

Primary Examiner—Antoine Duval Davis
Attorney, Agent, or Firm—Alston & Bird LLP

[57] CLAIM

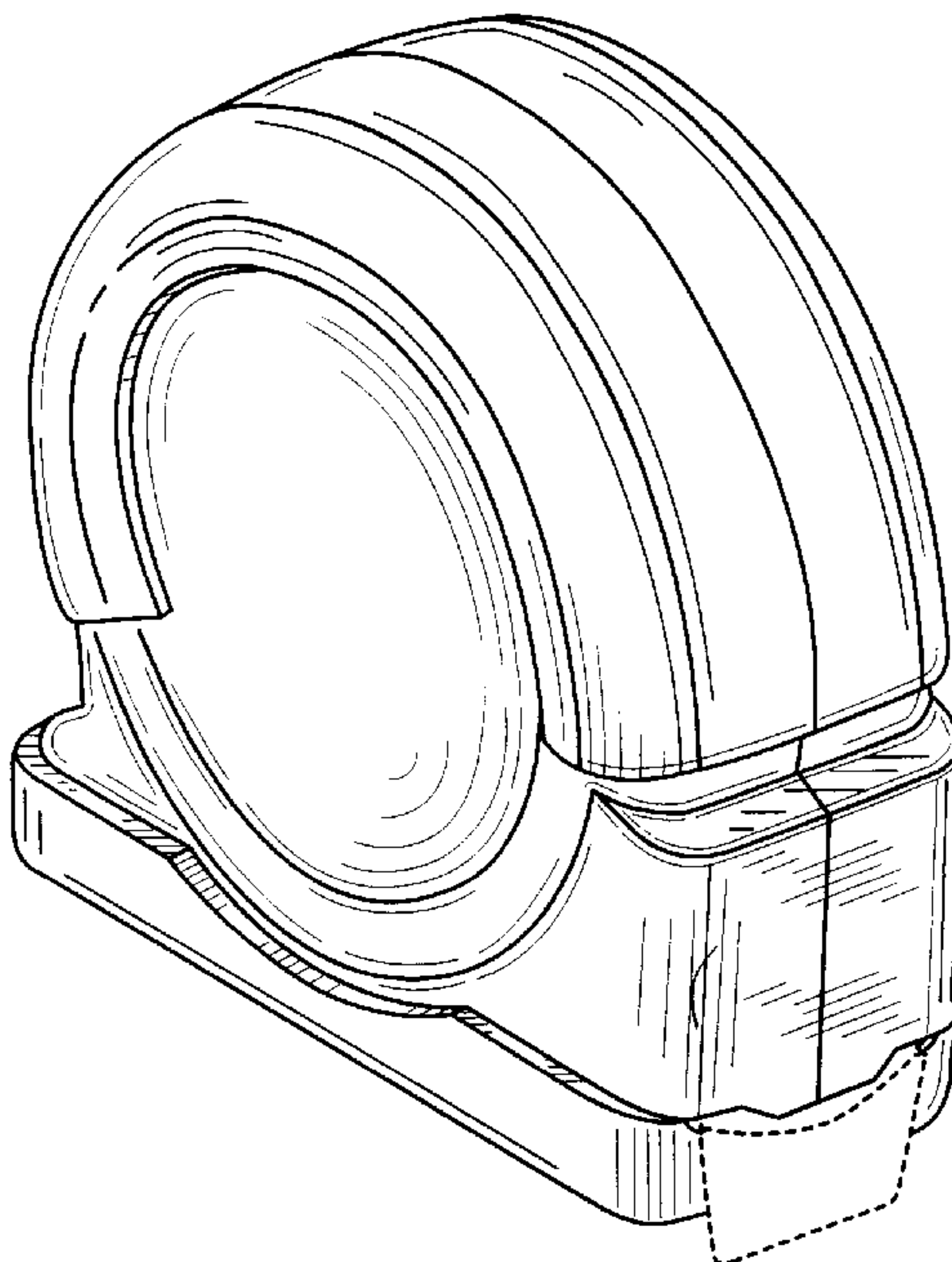
The ornamental design for a tape measure, as shown and described.

DESCRIPTION

FIG. 1 is a perspective view of a tape measure showing a first embodiment of our new design;
 FIG. 2 is a left side elevational view thereof;
 FIG. 3 is a right side elevational view thereof;
 FIG. 4 is a front elevational view thereof;
 FIG. 5 is a rear elevational view thereof;
 FIG. 6 is bottom plan view thereof;
 FIG. 7 is a top plan view thereof;
 FIG. 8 is a perspective view of a tape measure showing a second embodiment of our new design;
 FIG. 9 is a left side elevational view thereof;
 FIG. 10 is a right side elevational view thereof;
 FIG. 11 is a front elevational view thereof;
 FIG. 12 is a rear elevational view;
 FIG. 13 is a bottom plan view thereof; and,
 FIG. 14 is a top plan view thereof.

The broken line showing is for illustrative purposes only and forms no part of the claimed design.

1 Claim, 8 Drawing Sheets



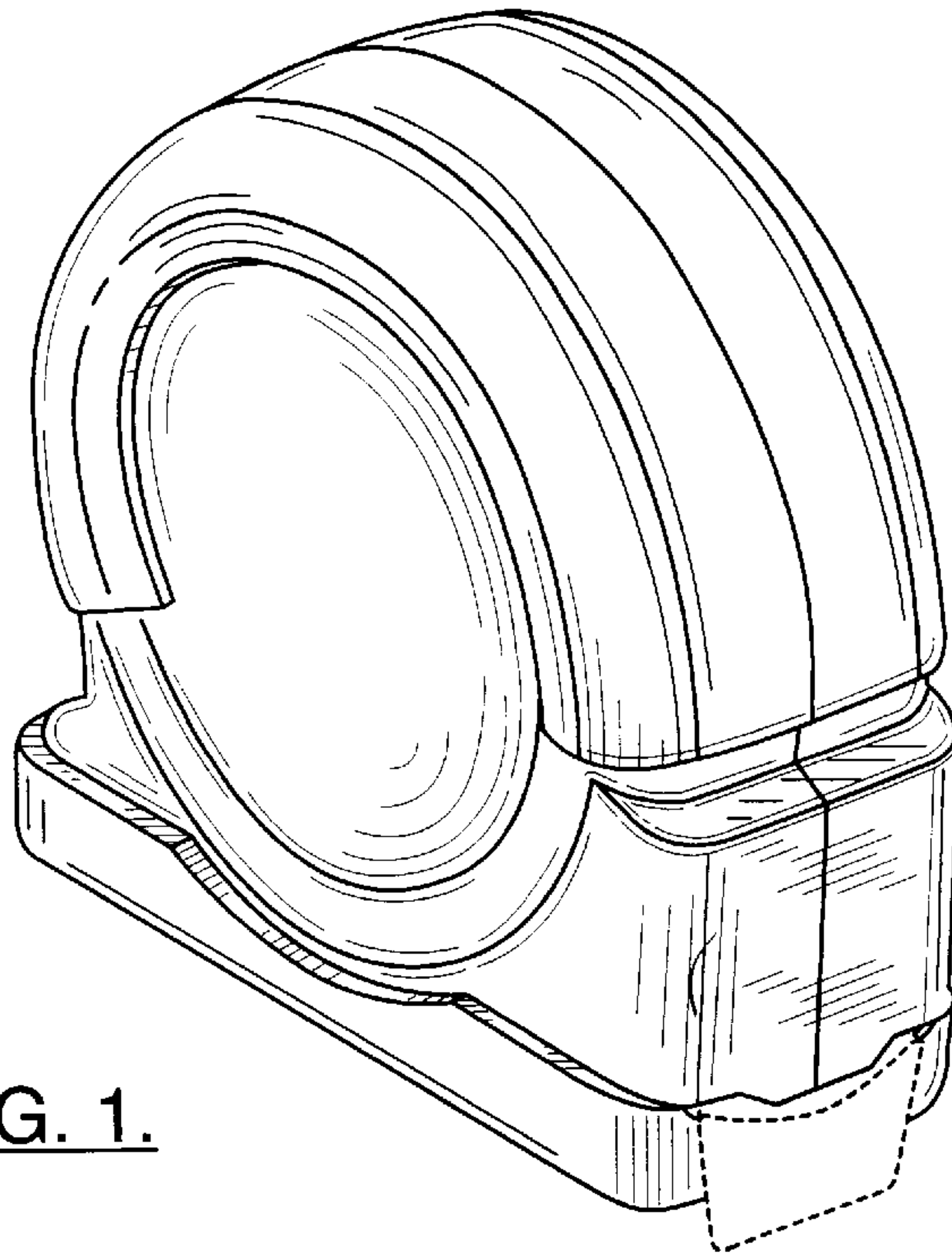


FIG. 1.

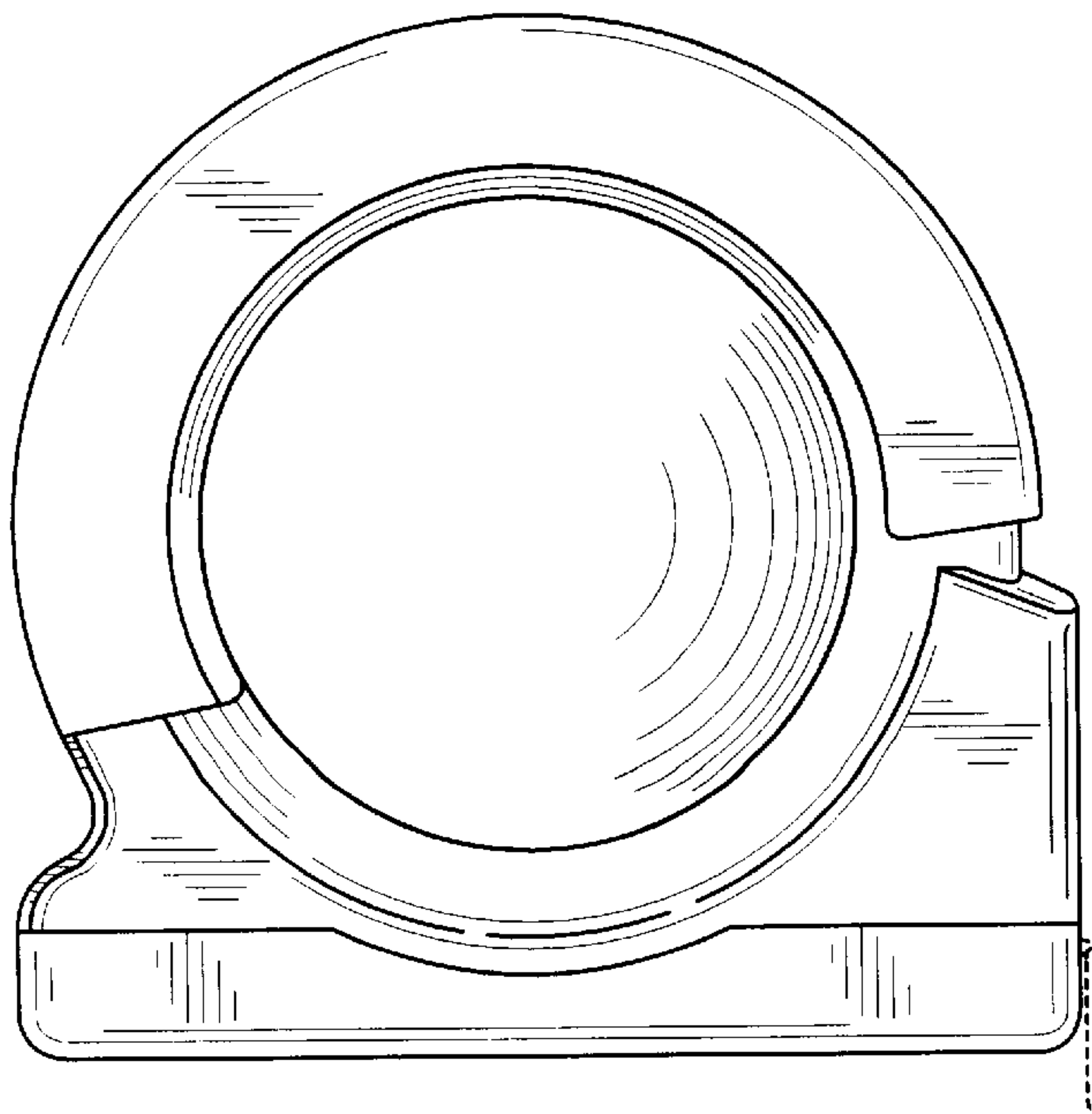


FIG. 2.

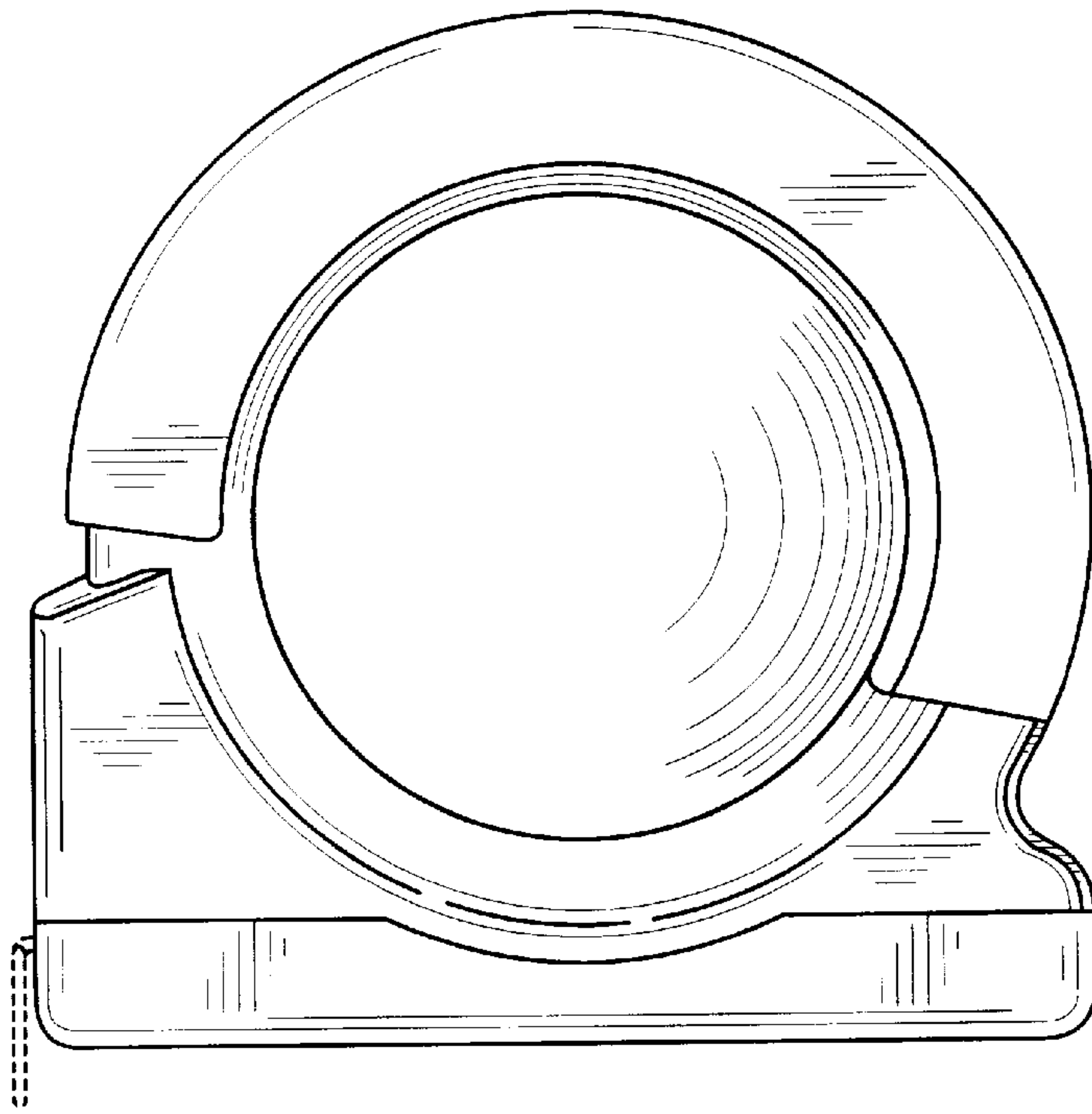


FIG. 3.

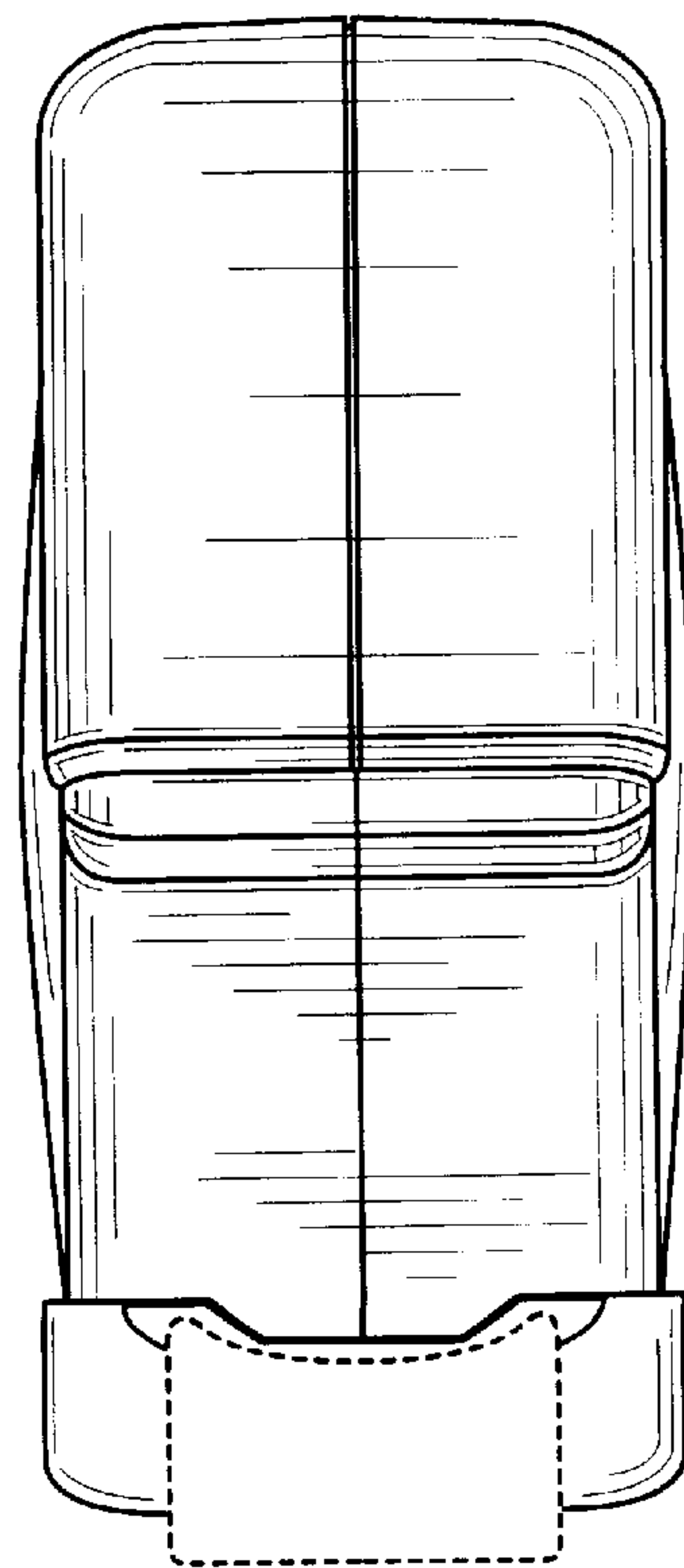


FIG. 4.

FIG. 5.

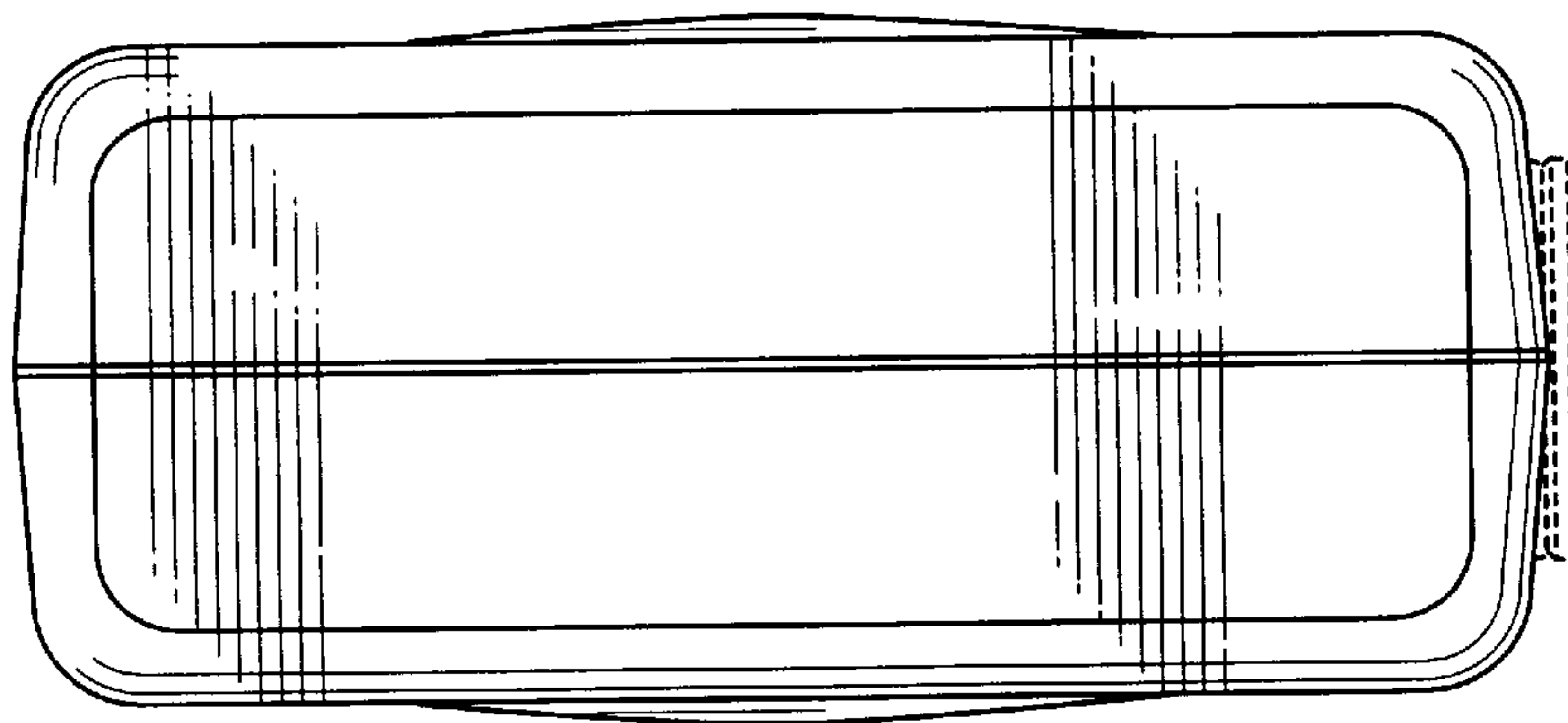
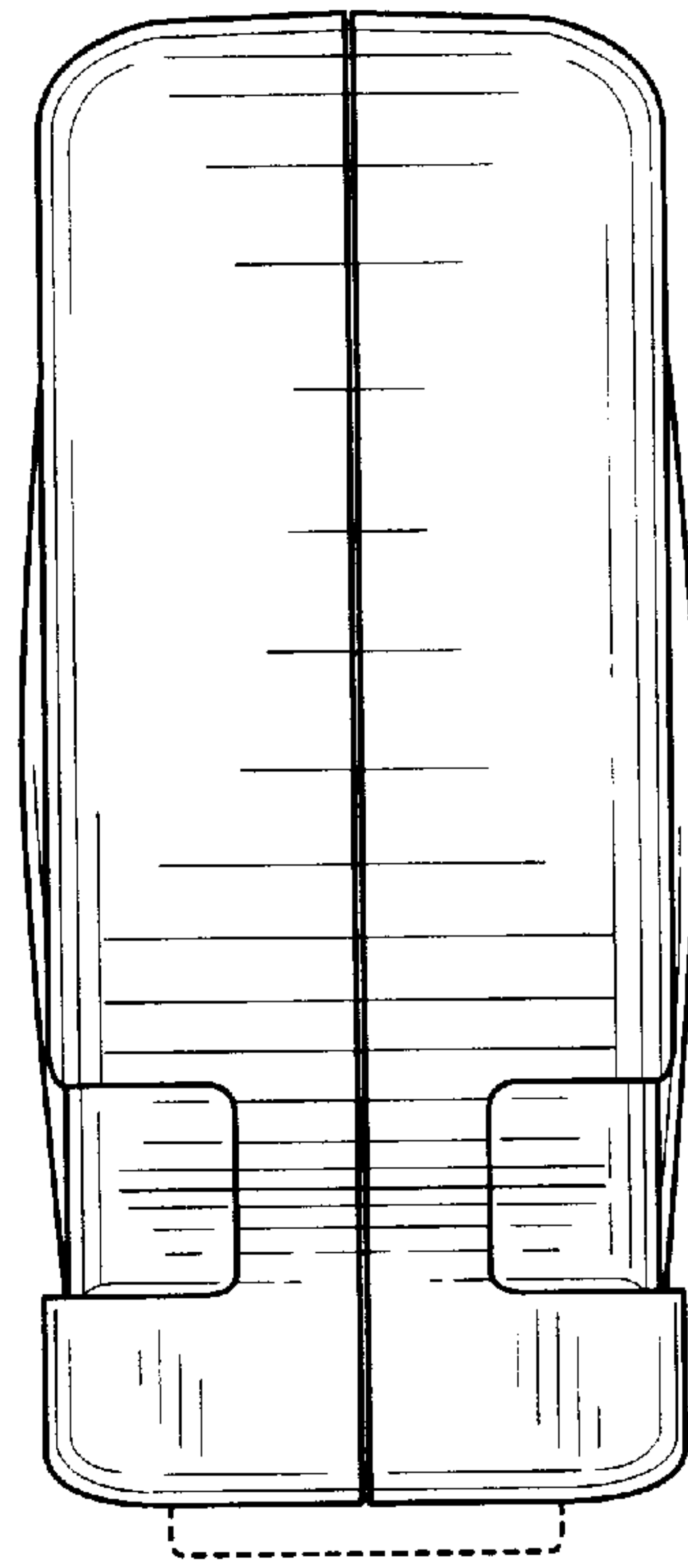


FIG. 6.

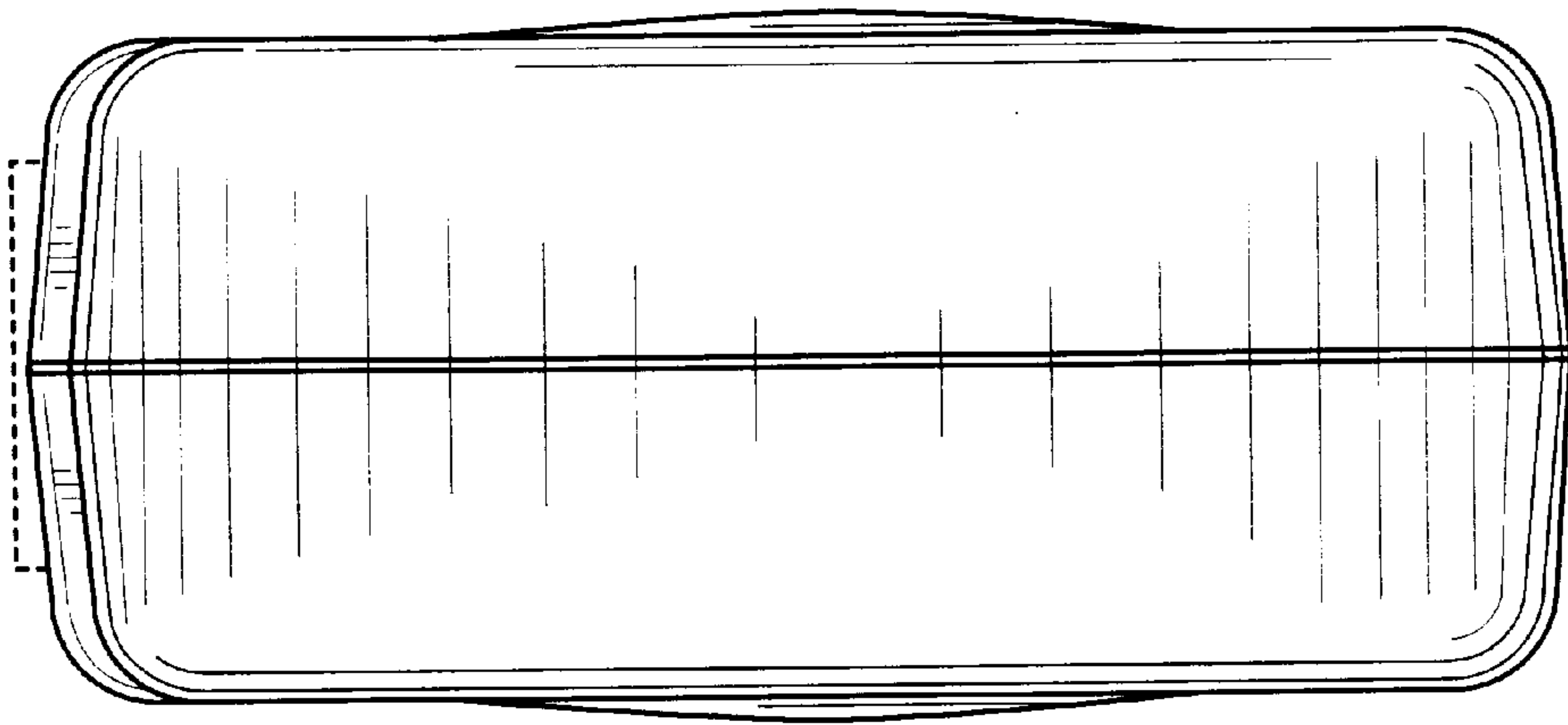


FIG. 7.

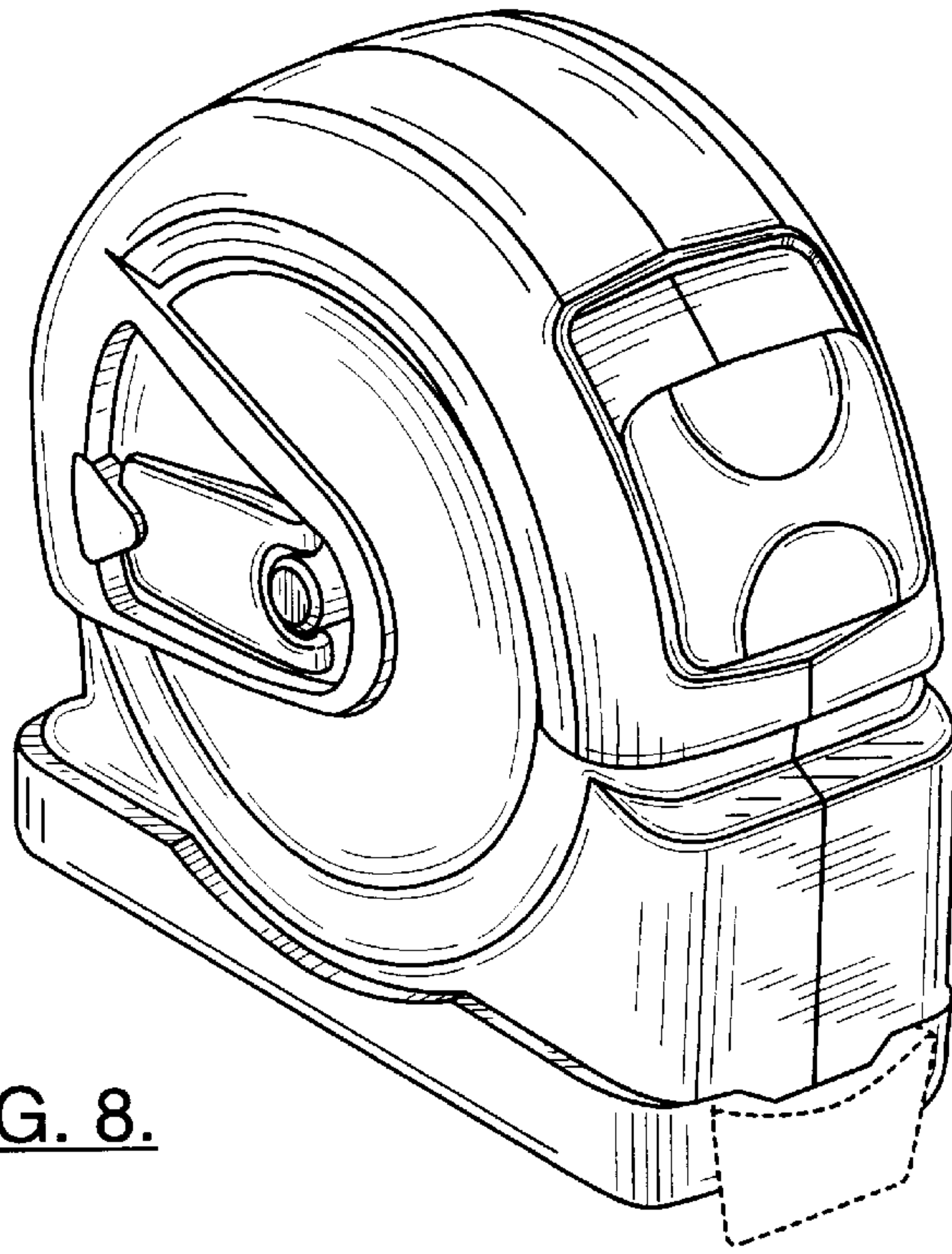


FIG. 8.

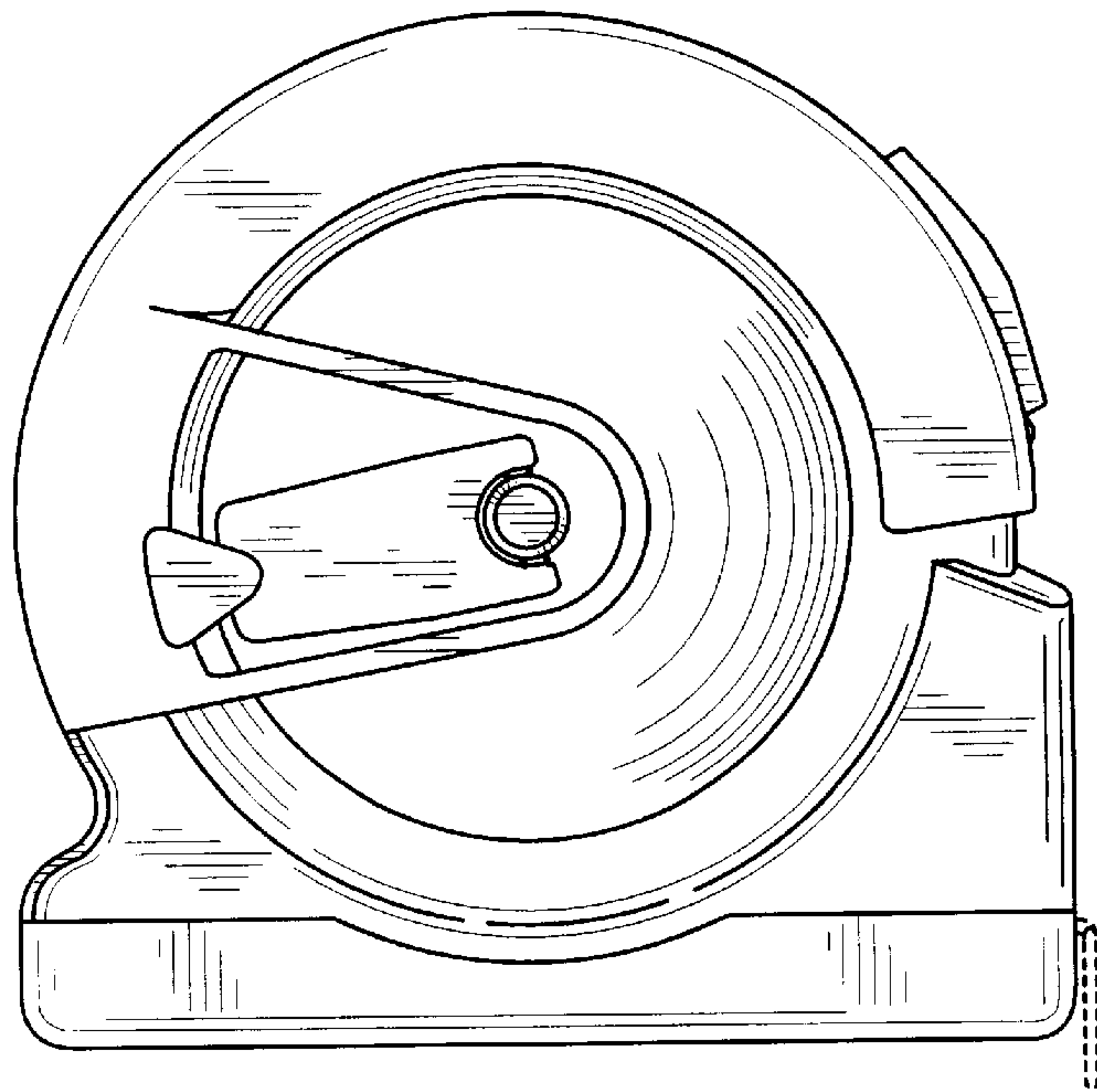


FIG. 9.

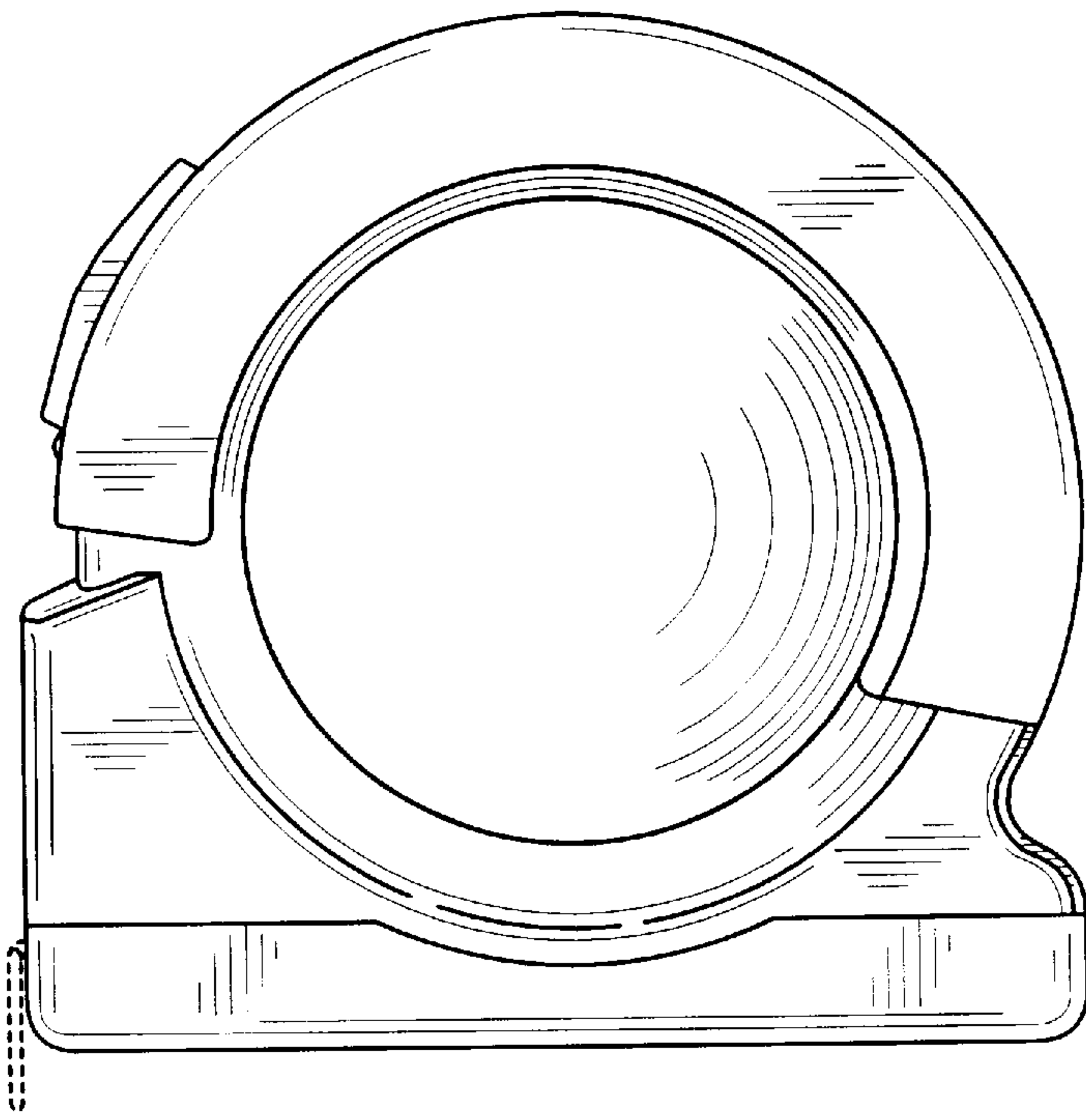


FIG. 10.

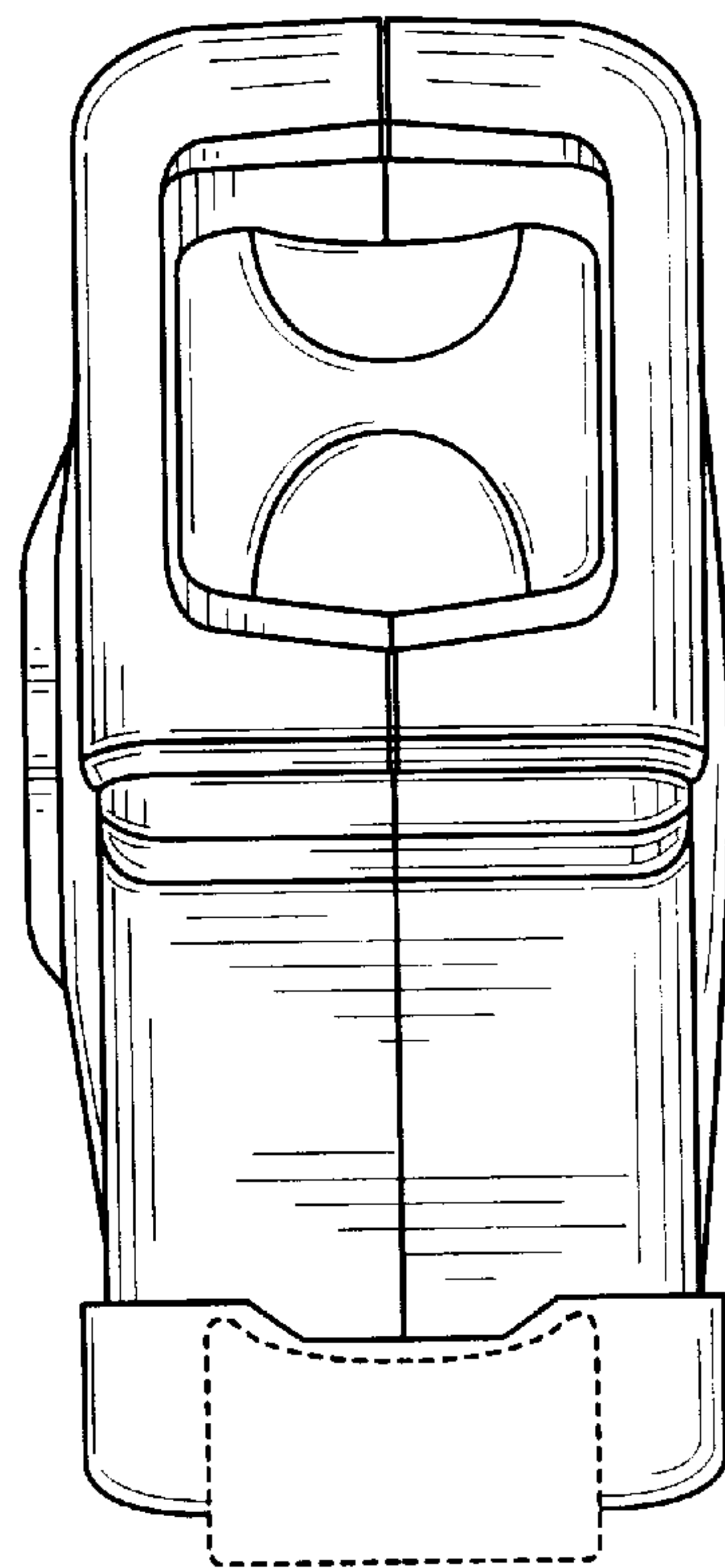


FIG. 11.

FIG. 12.

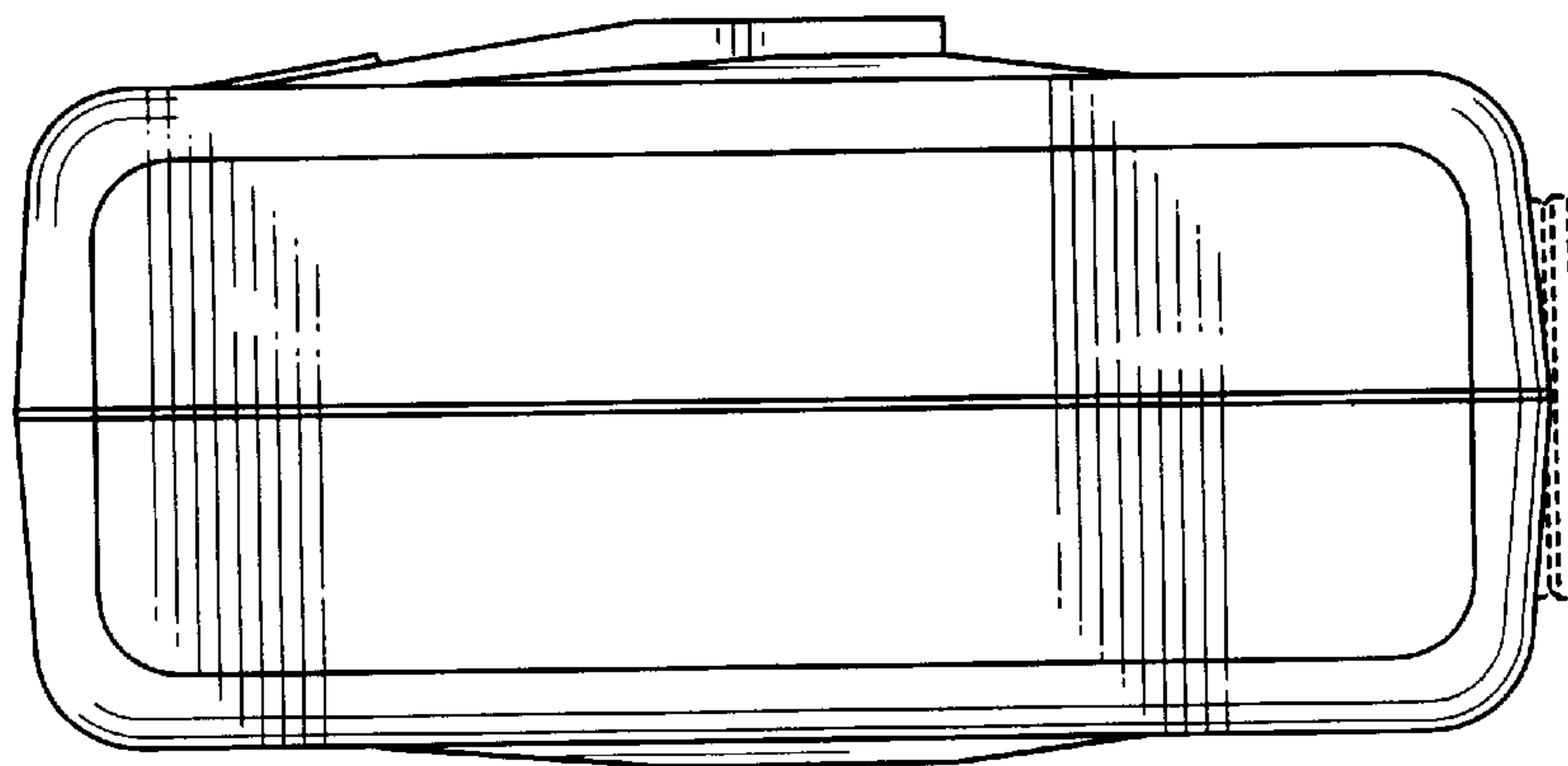
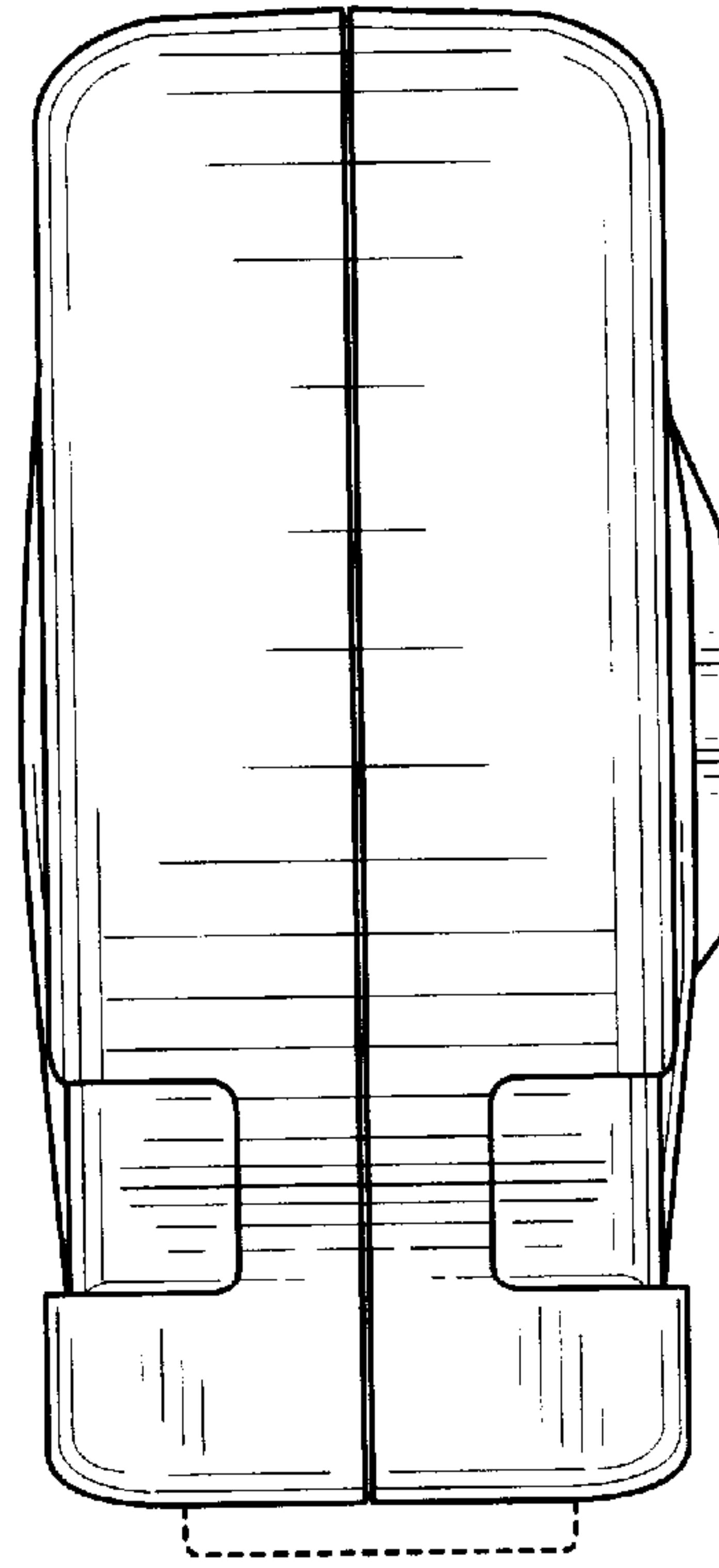


FIG. 13.

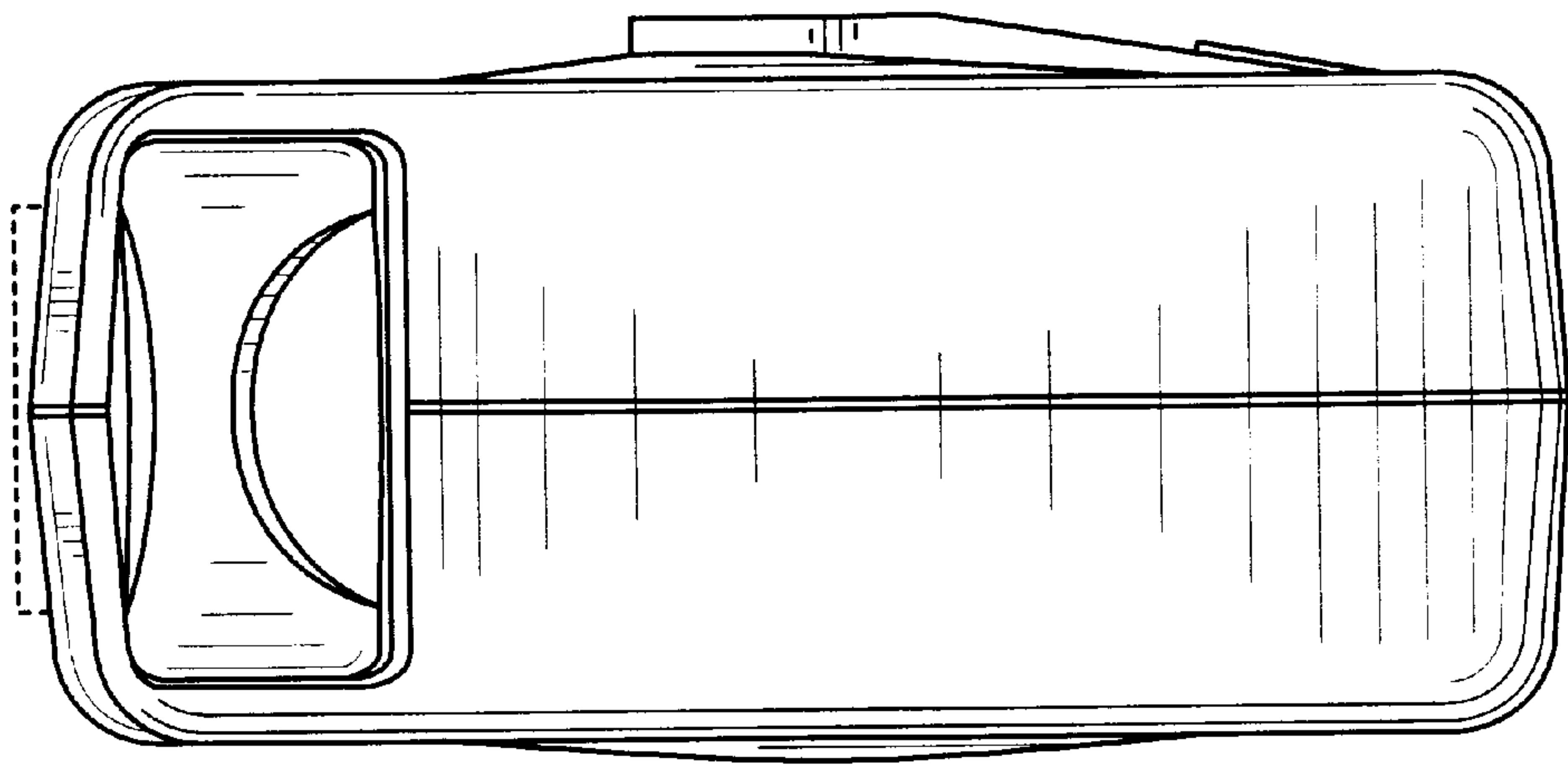


FIG. 14.