



US00D419071S

United States Patent [19]

Peters et al.

[11] Patent Number: **Des. 419,071**

[45] Date of Patent: **** Jan. 18, 2000**

[54] **CAP FOR PRESSURIZED DRINK BOTTLES**

[75] Inventors: **André François Peters**, Haarlem;
Victor Alexander De Vries, Overveen,
both of Netherlands

[73] Assignee: **Sparkle Systems S.A.**, Luxembourg,
Luxembourg

[**] Term: **14 Years**

[21] Appl. No.: **29/076,042**

[22] Filed: **Aug. 28, 1997**

[30] **Foreign Application Priority Data**

Mar. 4, 1997 [XH] Hague Agreement DM/039425

[51] **LOC (7) Cl.** **09-07**

[52] **U.S. Cl.** **D9/453**; D9/449

[58] **Field of Search** D9/435, 440, 447,
D9/449, 453, 454; 215/902; 220/367.1,
378, DIG. 16, DIG. 17; 222/491, 492

[56] **References Cited**

U.S. PATENT DOCUMENTS

D. 160,881 11/1950 Perlman D9/449

D. 265,978 8/1982 Jennie D9/453
D. 310,781 9/1990 Scott, III D9/529 X
3,736,899 6/1973 Manske 220/DIG. 16 X
4,842,826 6/1989 Guala 220/367.1 X
5,791,503 8/1998 Lyons 215/902 X

FOREIGN PATENT DOCUMENTS

DM/000281 7/1980 WIPO .

Primary Examiner—Cathron B. Matta
Attorney, Agent, or Firm—Michael J. Brown; Irving M.
Fishman; John L. Chiatlas

[57] **CLAIM**

The ornamental design for a cap for pressurised drink bottles, as shown and described.

DESCRIPTION

FIG. 1 is a perspective view of the cap for a pressurised drink bottle.

FIG. 2 is a top view of the cap for a pressurised drink bottle; and,

FIG. 3 is simultaneously the front, back, left side, and right side views of the cap for a pressurised drink bottle.

The bottom and interior form no part of the claimed design.

1 Claim, 1 Drawing Sheet

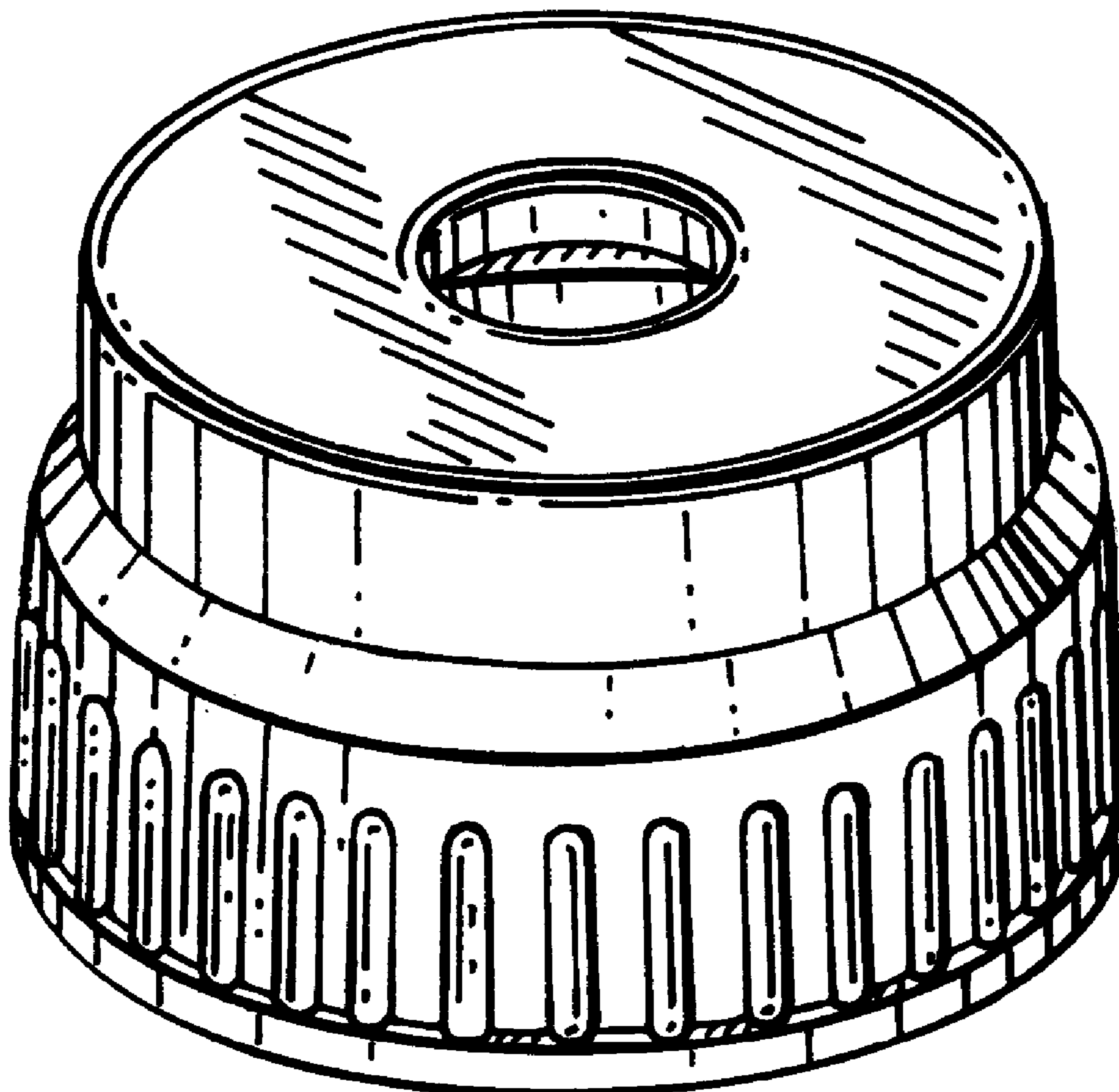


FIG. 1

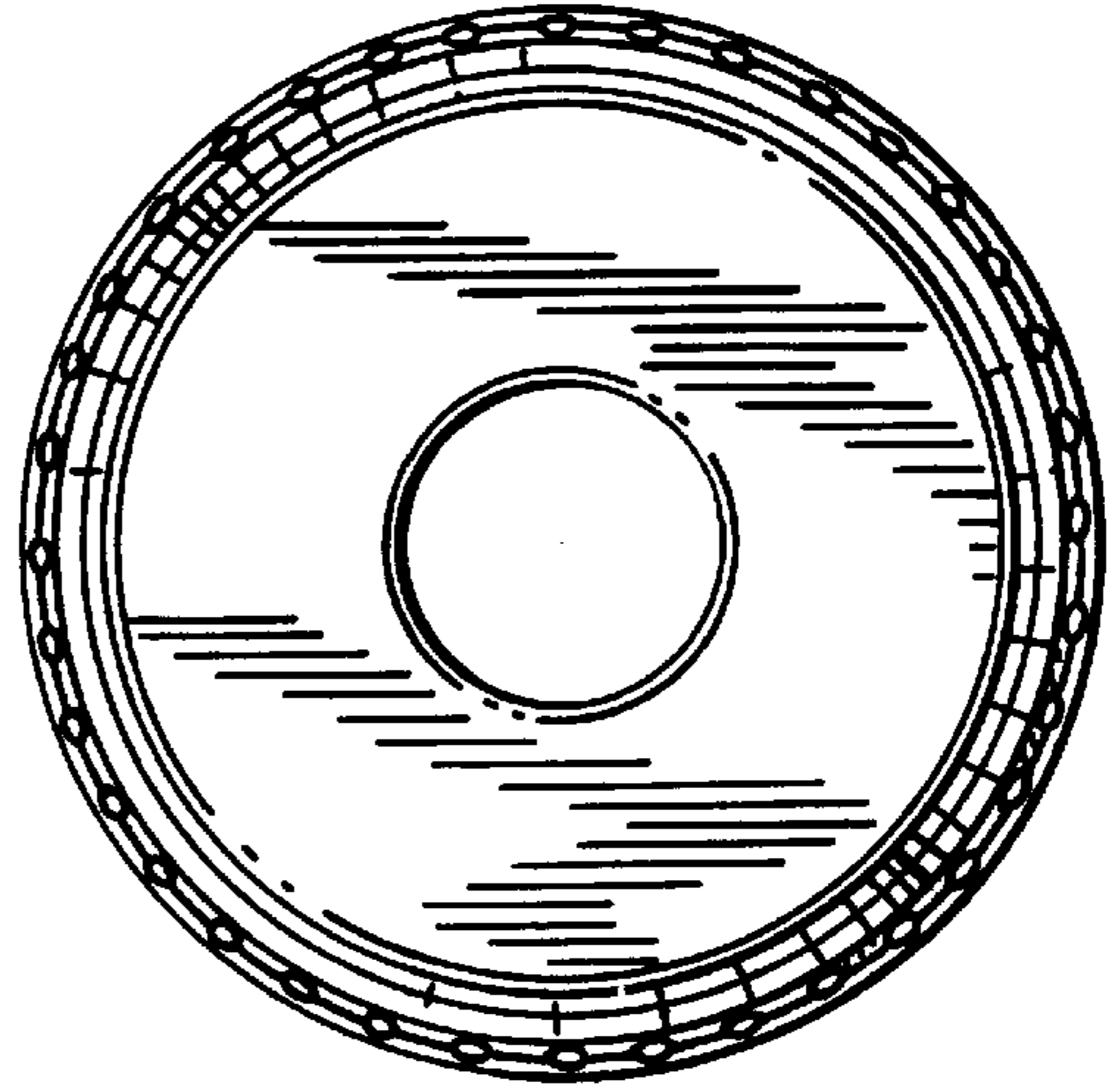
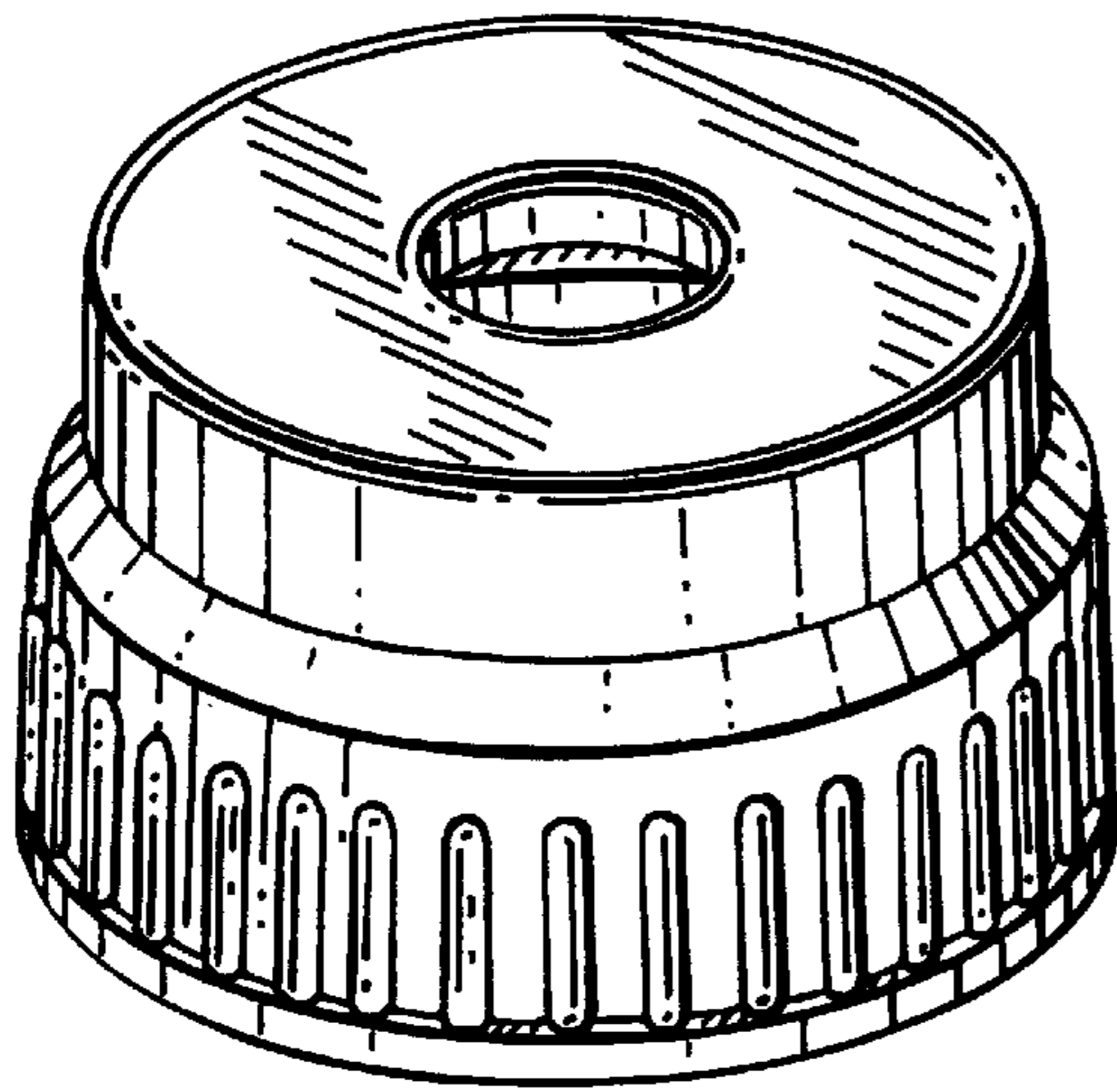


FIG. 2

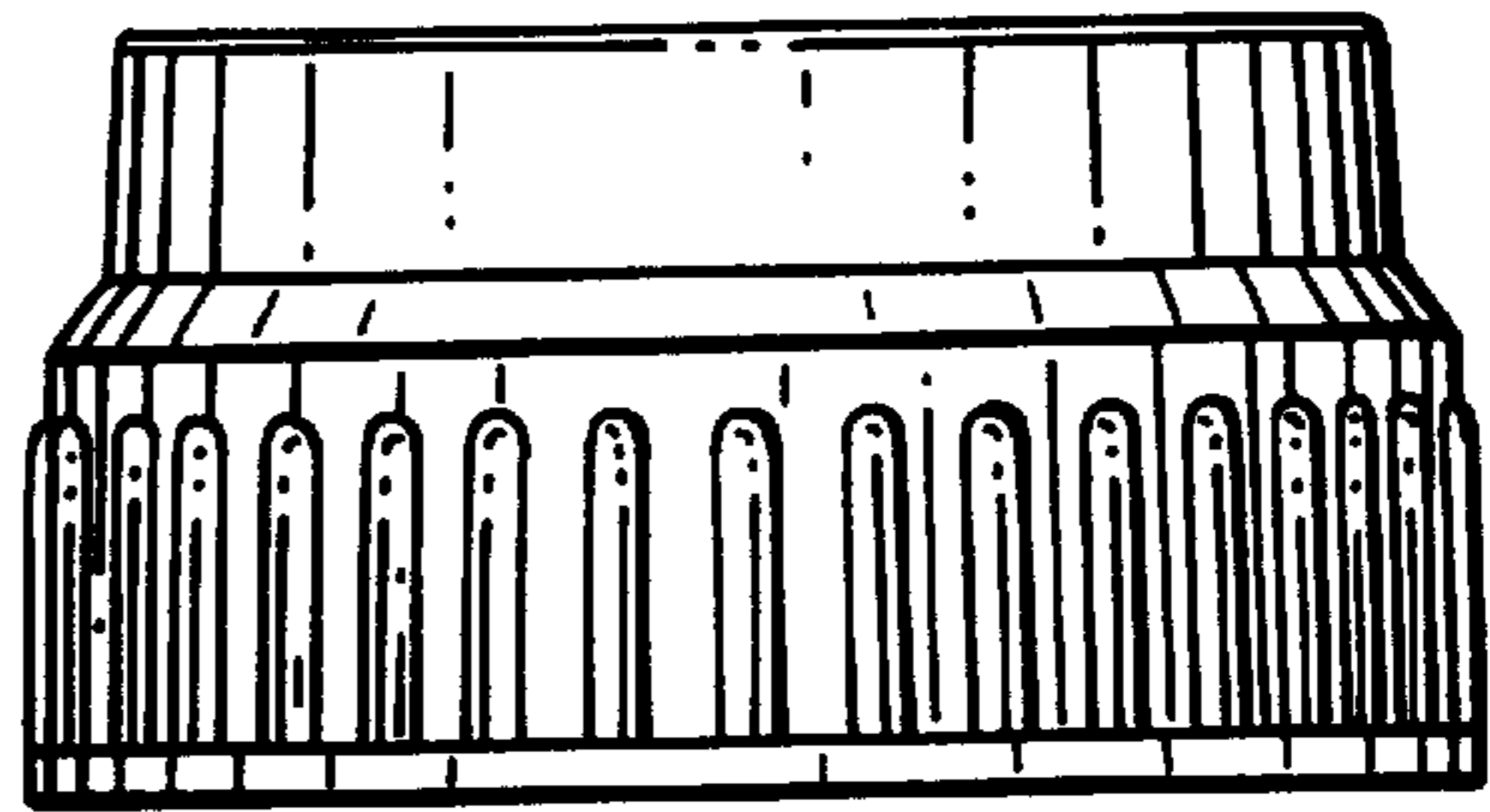


FIG. 3