



US00D419069S

United States Patent [19]

Beck et al.

[11] Patent Number: **Des. 419,069**

[45] Date of Patent: **** Jan. 18, 2000**

[54] **CLOSURE FOR DISPENSING NOZZLE**

[75] Inventors: **James M. Beck**, Long Grove; **Thomas C. Stoneberg**, Buffalo Grove; **Gary Berge**, Crystal Lake; **Terry Kubitz**, Cary, all of Ill.; **Thomas Tedeschi, Jr.**, Brewster, N.Y.

[73] Assignees: **Kraft Foods Inc.**, Northfield; **Creative Packaging Corp.**, Buffalo Grove, both of Ill.

[**] Term: **14 Years**

[21] Appl. No.: **29/104,779**

[22] Filed: **May 12, 1999**

[51] LOC (7) Cl. **09-07**

[52] U.S. Cl. **D9/443**

[58] Field of Search D9/435, 443, 447, D9/449, 453, 454; 215/295; 222/92, 105, 107, 551

[56] **References Cited**

U.S. PATENT DOCUMENTS

D. 310,969 10/1990 Butler D9/453

D. 358,329 5/1995 Dickie D9/443
D. 362,623 9/1995 Ma D9/443
D. 412,107 7/1999 Bosshardt D9/443 X
3,227,317 1/1966 Bereziat et al. 222/83

Primary Examiner—Cathron B. Matta
Attorney, Agent, or Firm—Thomas R. Savoie; Thomas A. Marcoux

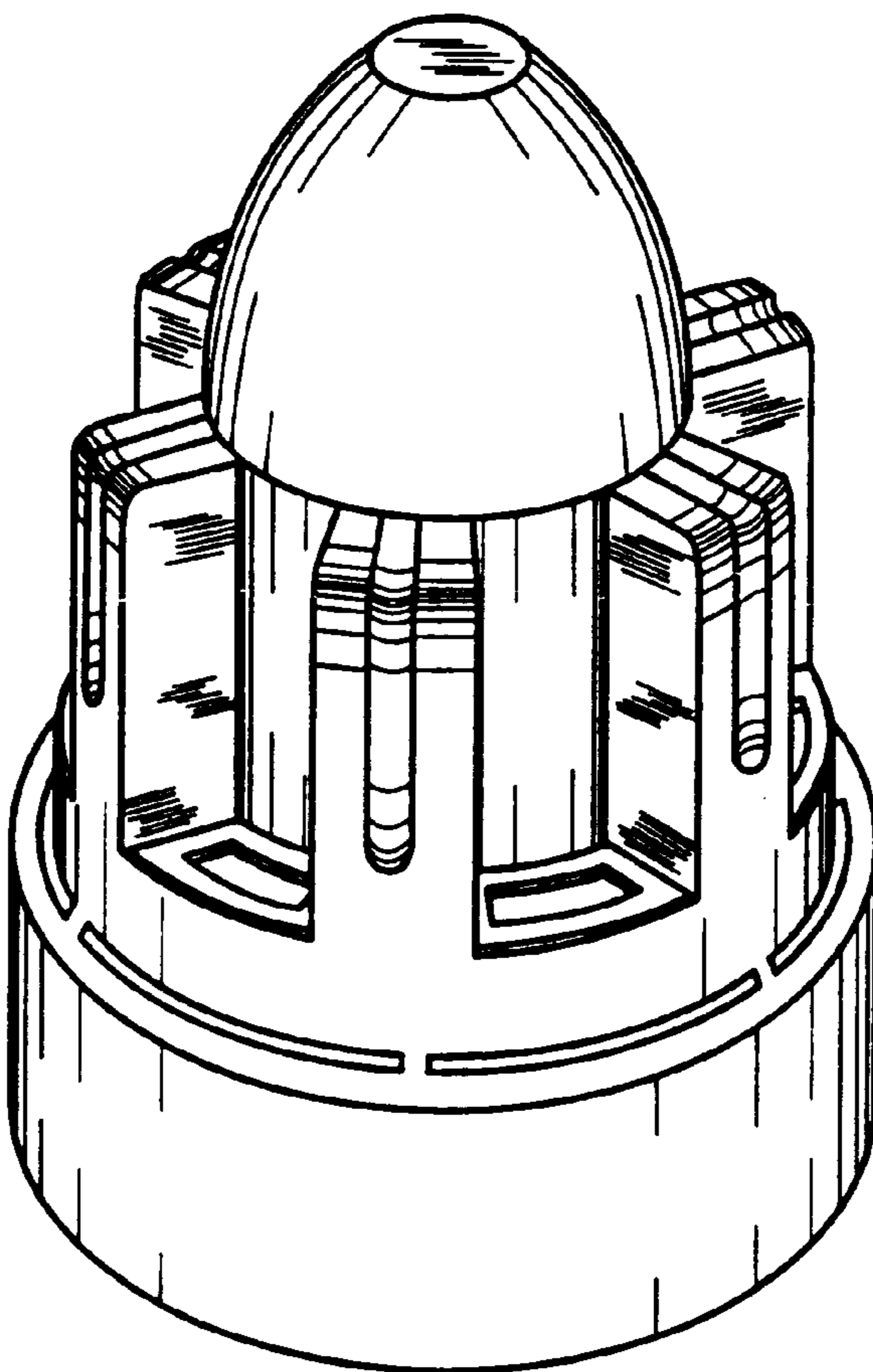
[57] **CLAIM**

The ornamental design for a closure for dispensing nozzle, as shown and described.

DESCRIPTION

FIG. 1 is a perspective view of a closure for dispensing nozzle showing our new design;
FIG. 2 is a side elevational view thereof, the opposite side is the same;
FIG. 3 is a front elevational view thereof, the rear elevational view is the same;
FIG. 4 is a top plan view thereof; and,
FIG. 5 is a bottom plan view thereof.

1 Claim, 3 Drawing Sheets



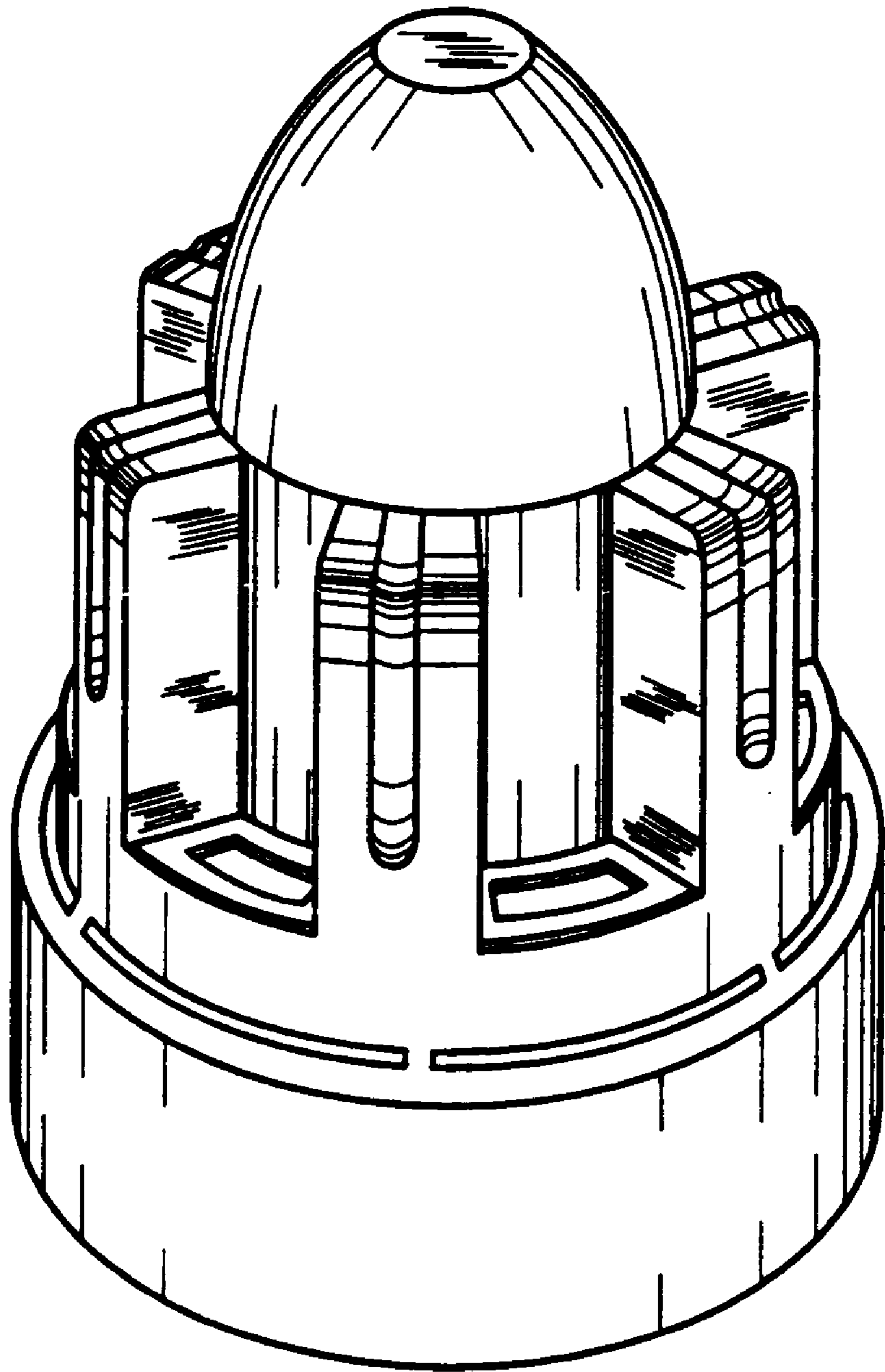


FIG. 1

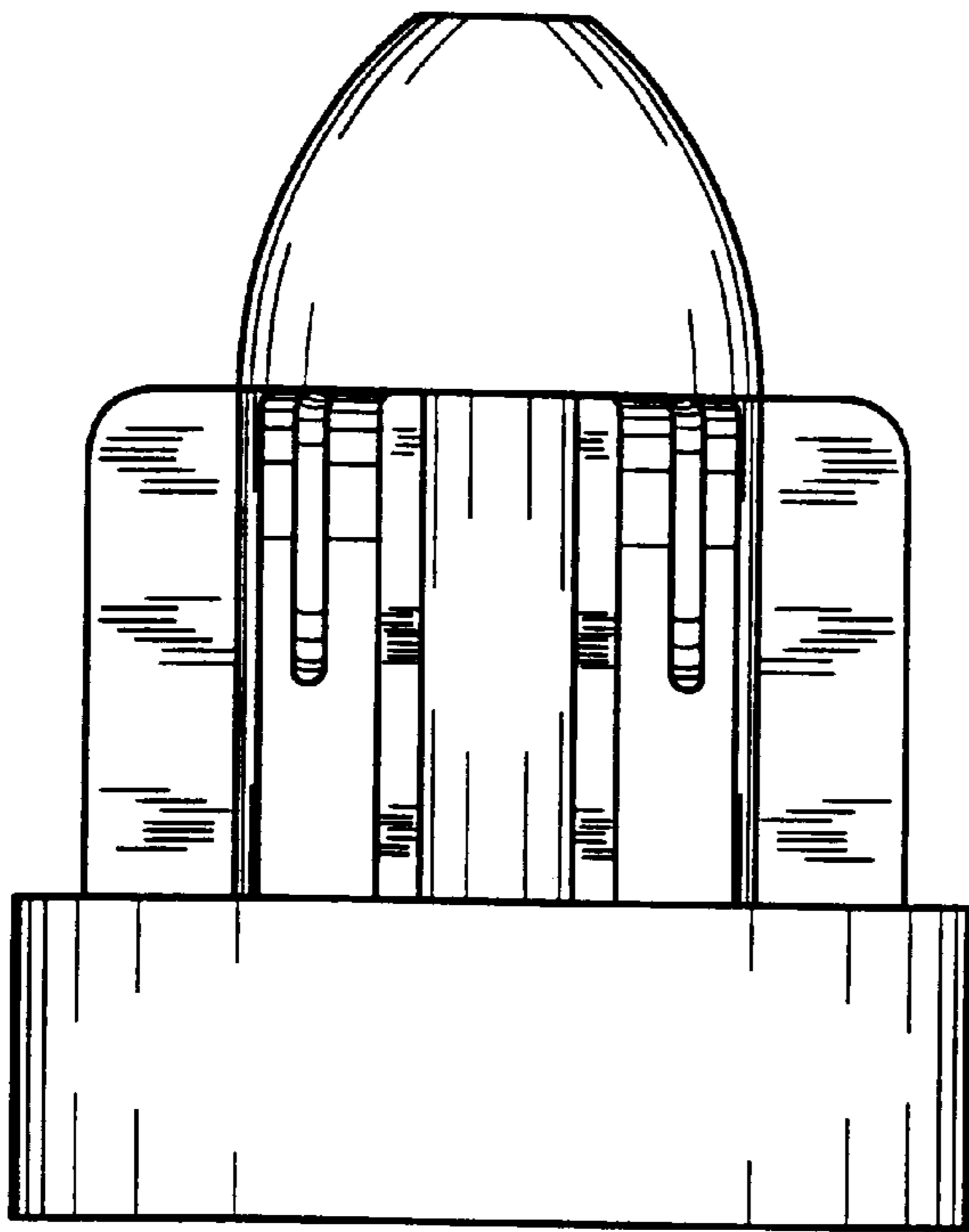


FIG. 2

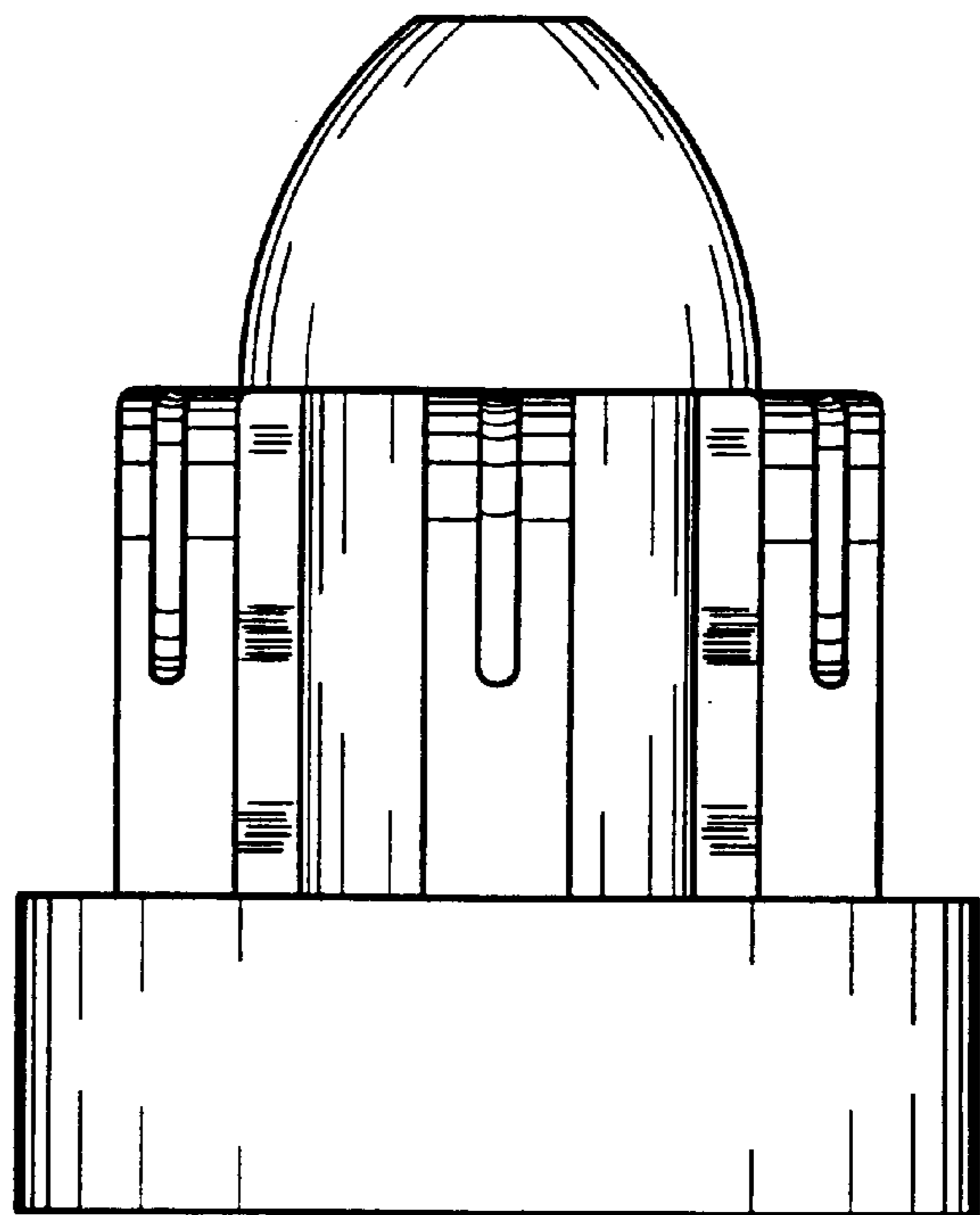


FIG. 3

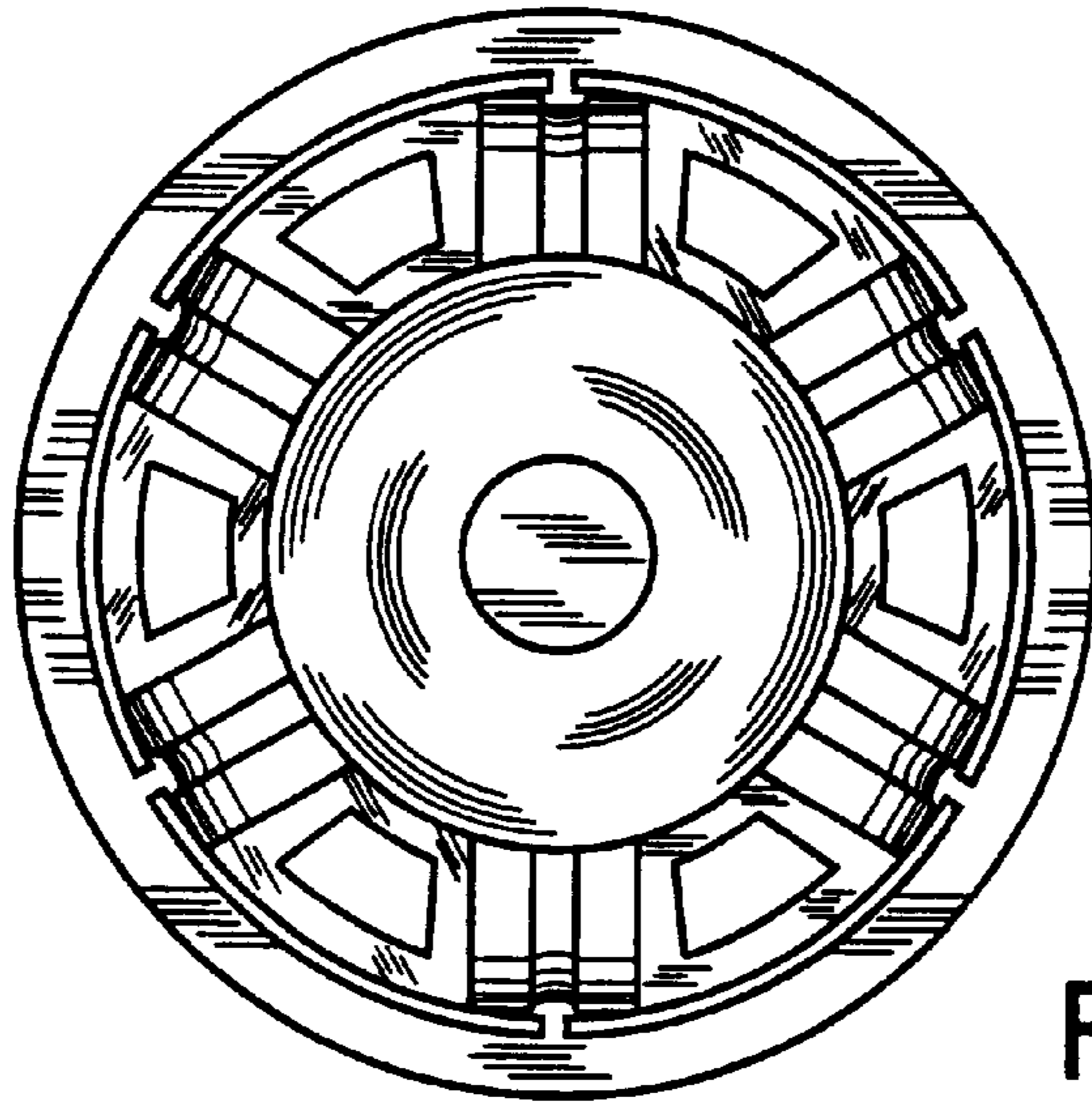


FIG. 4

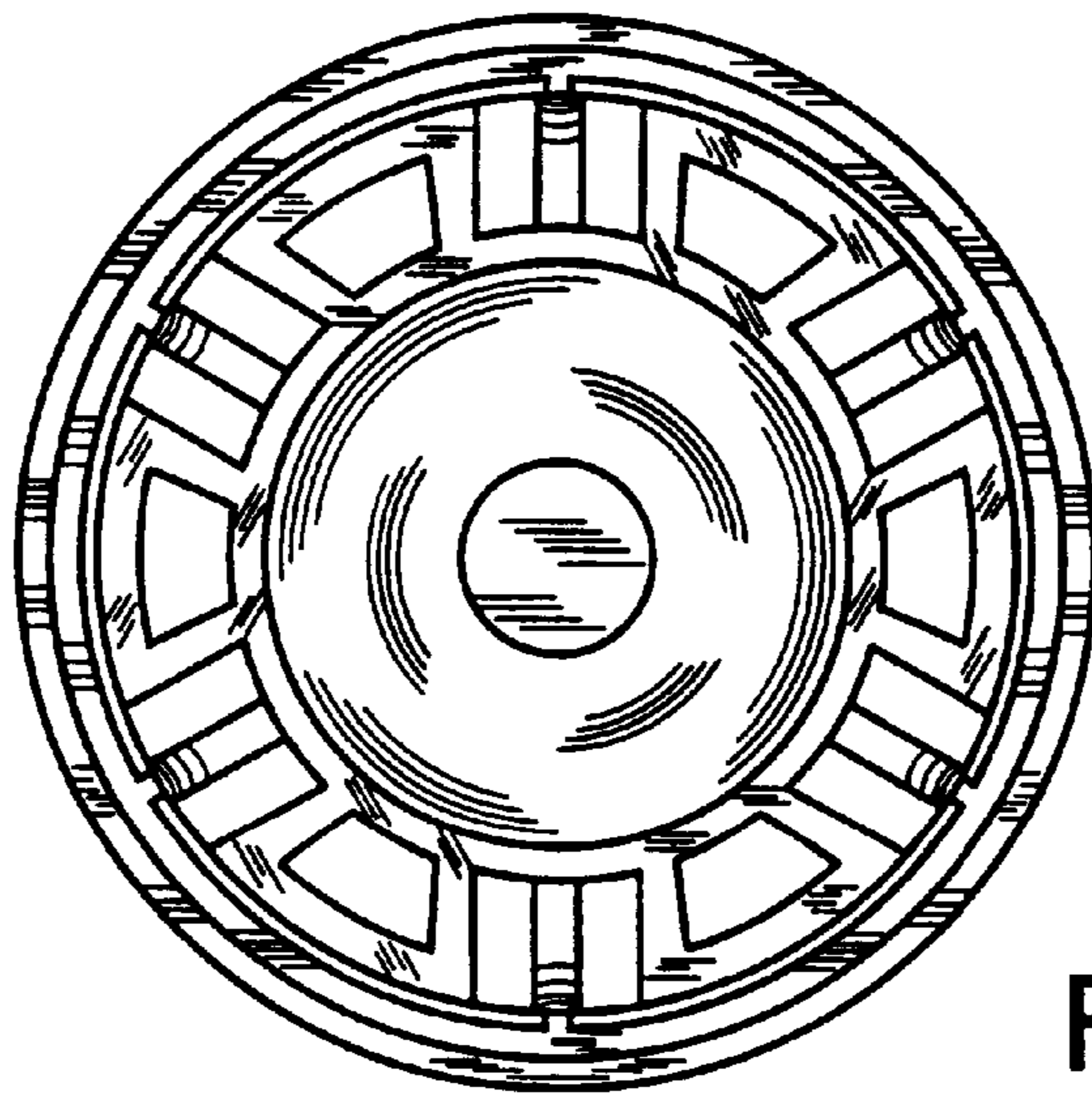


FIG. 5