



US00D419066S

United States Patent [19] Lentini

[11] **Patent Number: Des. 419,066**

[45] **Date of Patent: ** Jan. 18, 2000**

[54] **LOCKING BOX WITH TEXTURED SURFACE**

5,366,104 11/1994 Armstrong 220/4.22 X
5,730,310 3/1998 Yoshihara 220/835

[75] Inventor: **Robert Lentini**, Pensacola, Fla.

OTHER PUBLICATIONS

[73] Assignee: **Daws Manufacturing Co., Inc.**,
Pensacola, Fla.

Packaging Catalog, page 58, Item #21, 1959 (C).

[**] Term: **14 Years**

Primary Examiner—Prabhakar Deshmukh
Attorney, Agent, or Firm—Finnegan, Henderson, Farabow,
Garrett & Dunner

[21] Appl. No.: **29/087,992**

[57] CLAIM

[22] Filed: **May 13, 1998**

The ornamental design for a locking box with textured surface, as shown and described.

[51] **LOC (7) Cl.** **09-07**

DESCRIPTION

[52] **U.S. Cl.** **D9/423; D9/424**

[58] **Field of Search** D9/420-425, 432,
D9/414; 206/457, 459.5; 220/253, 289,
810, 833, 836, 351, 663, 1.5, 831, 832,
835

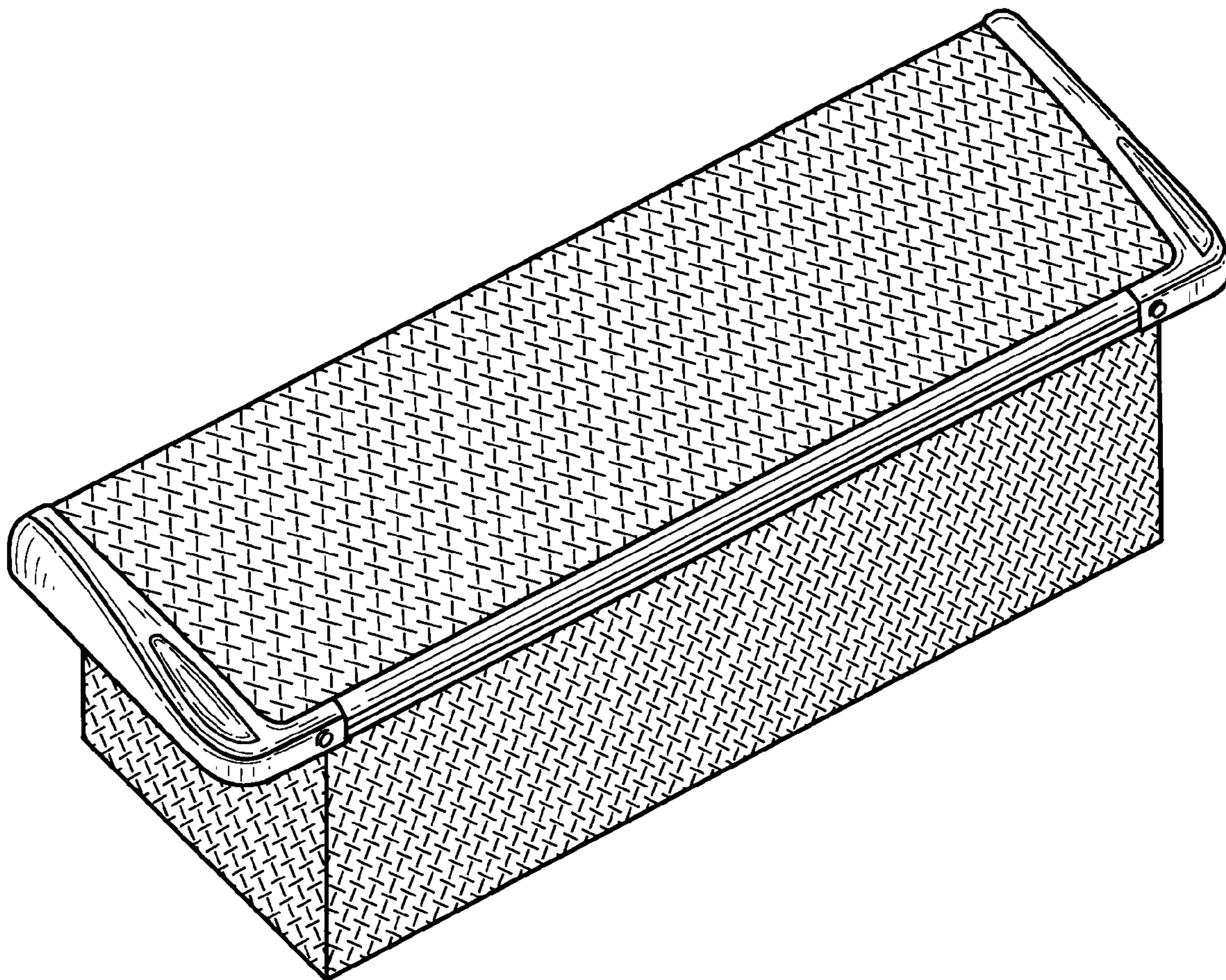
FIG. 1 is perspective view of a locking box with textured surface showing my new design;
FIG. 2 is a front elevation view of the box depicted in FIG. 1.
FIG. 3 is a rear elevation view of the box depicted in FIG. 1.
FIG. 4 is a side elevation view of the box depicted in FIG. 1.
FIG. 5 is a top plan view of the box depicted in FIG. 1.
FIG. 5 is a top plan view of the box depicted in FIG. 1; and;
FIG. 6 is a bottom plan view of the box depicted in FIG. 1.

[56] References Cited

U.S. PATENT DOCUMENTS

D. 330,161	10/1992	Schuh	D9/423
D. 366,830	2/1996	Christianson	D9/423
4,005,800	2/1977	Schurman	220/831
4,819,824	4/1989	Longbottom et al.	220/783 X
4,971,220	11/1990	Kaufman et al.	220/832
5,036,997	8/1991	May et al.	220/832

1 Claim, 2 Drawing Sheets



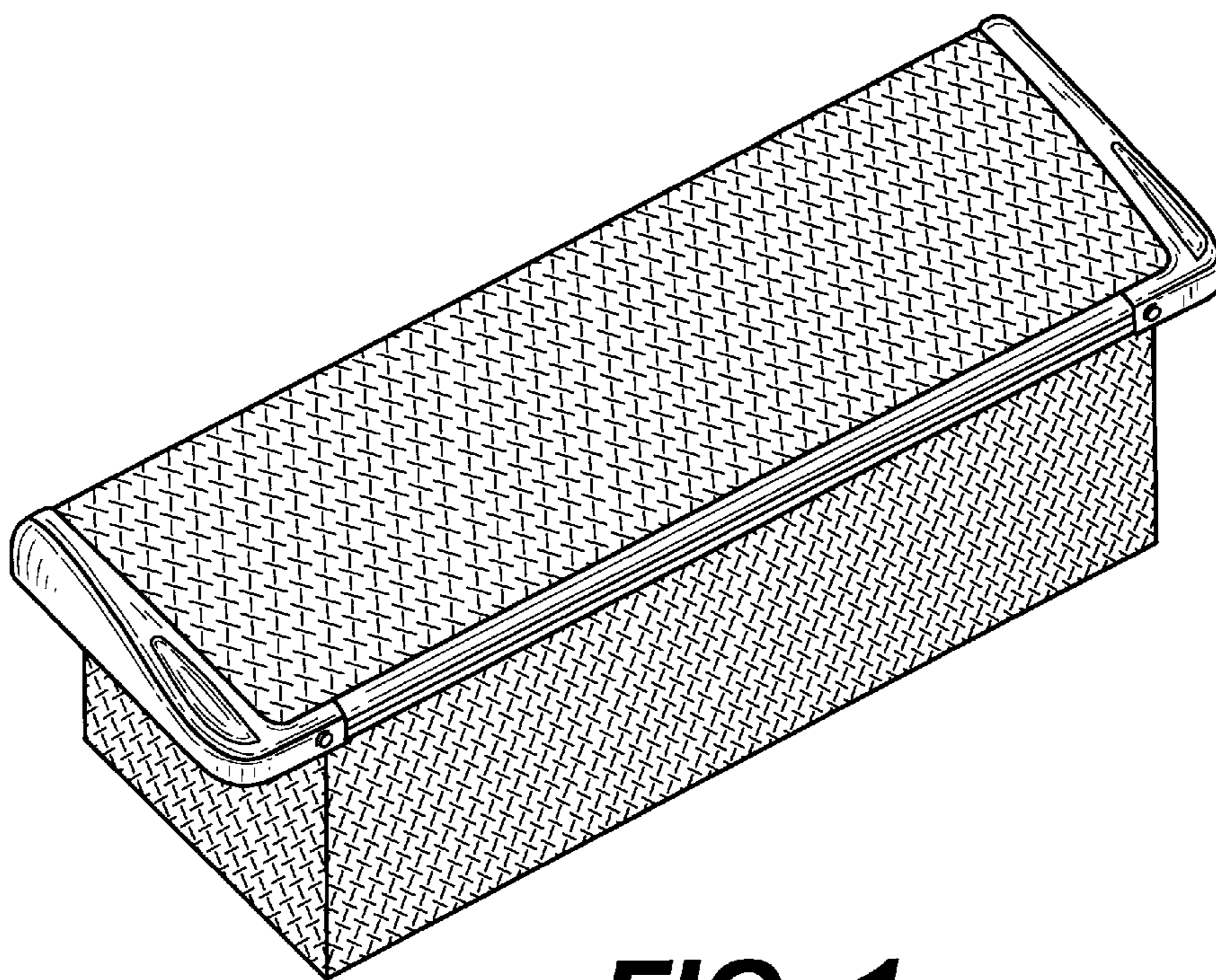


FIG. 1

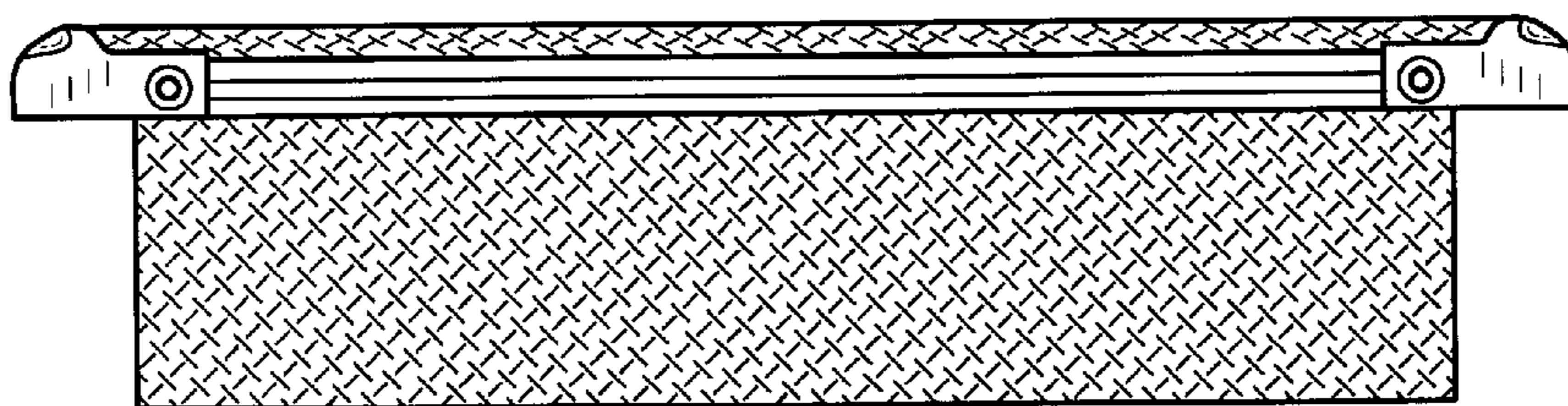


FIG. 2

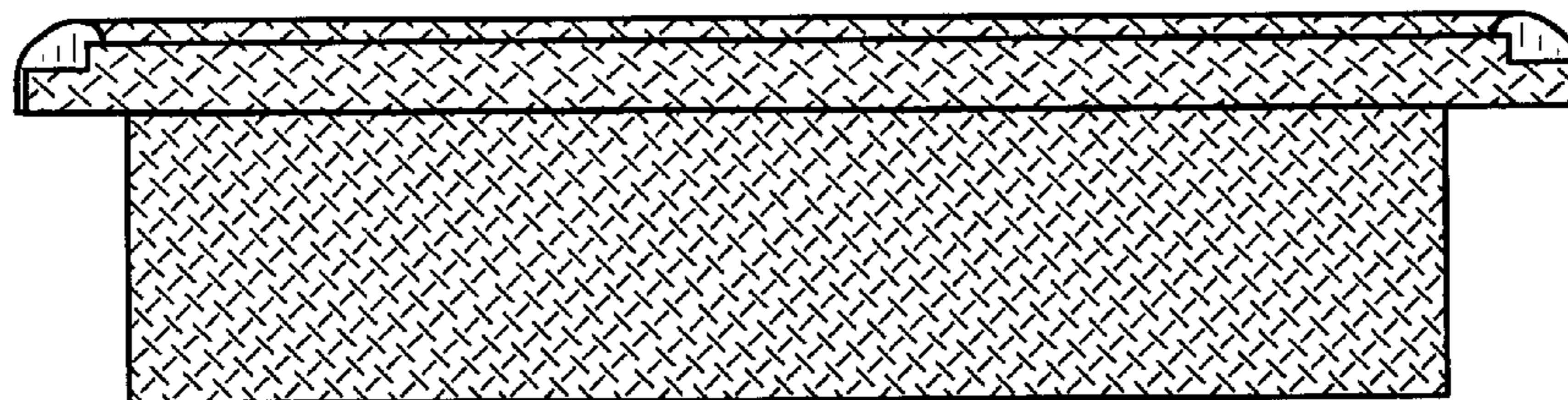


FIG. 3

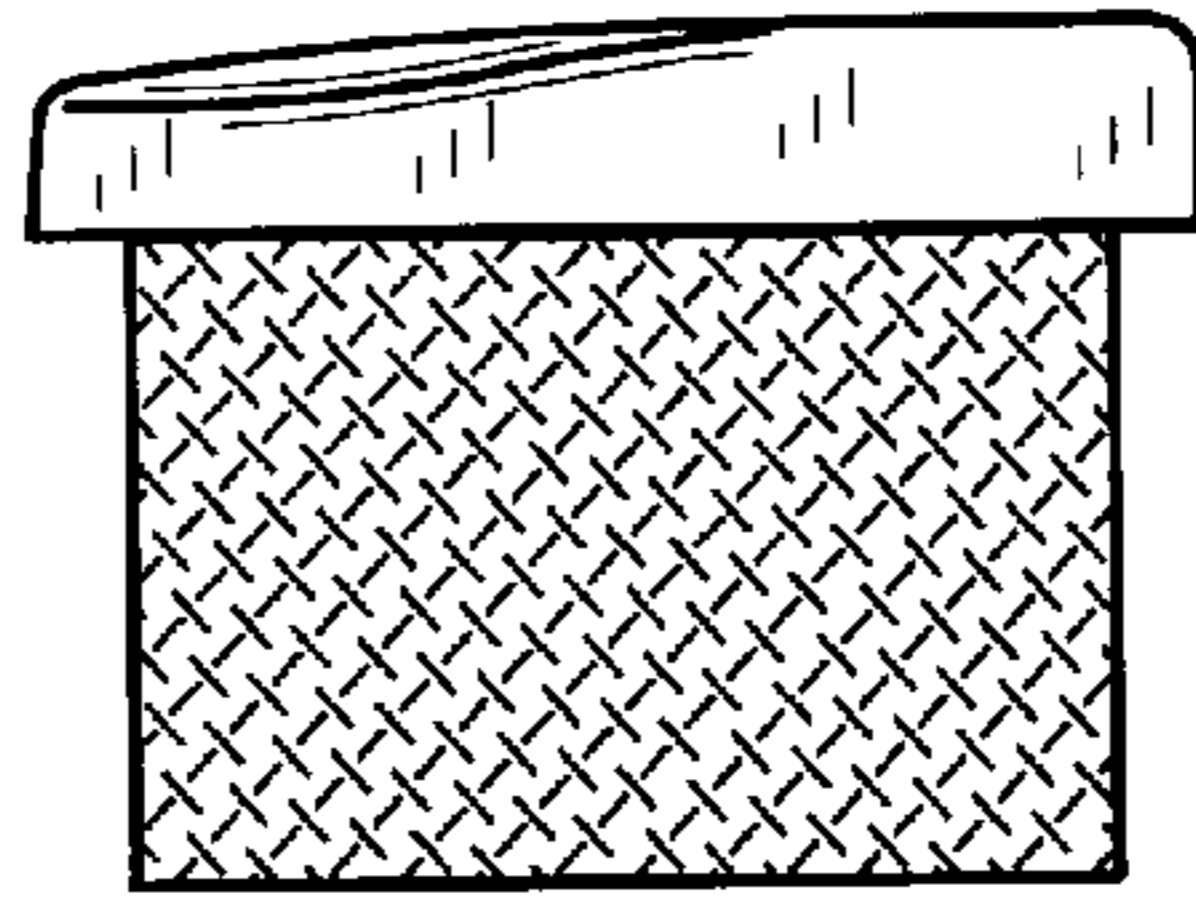


FIG. 4

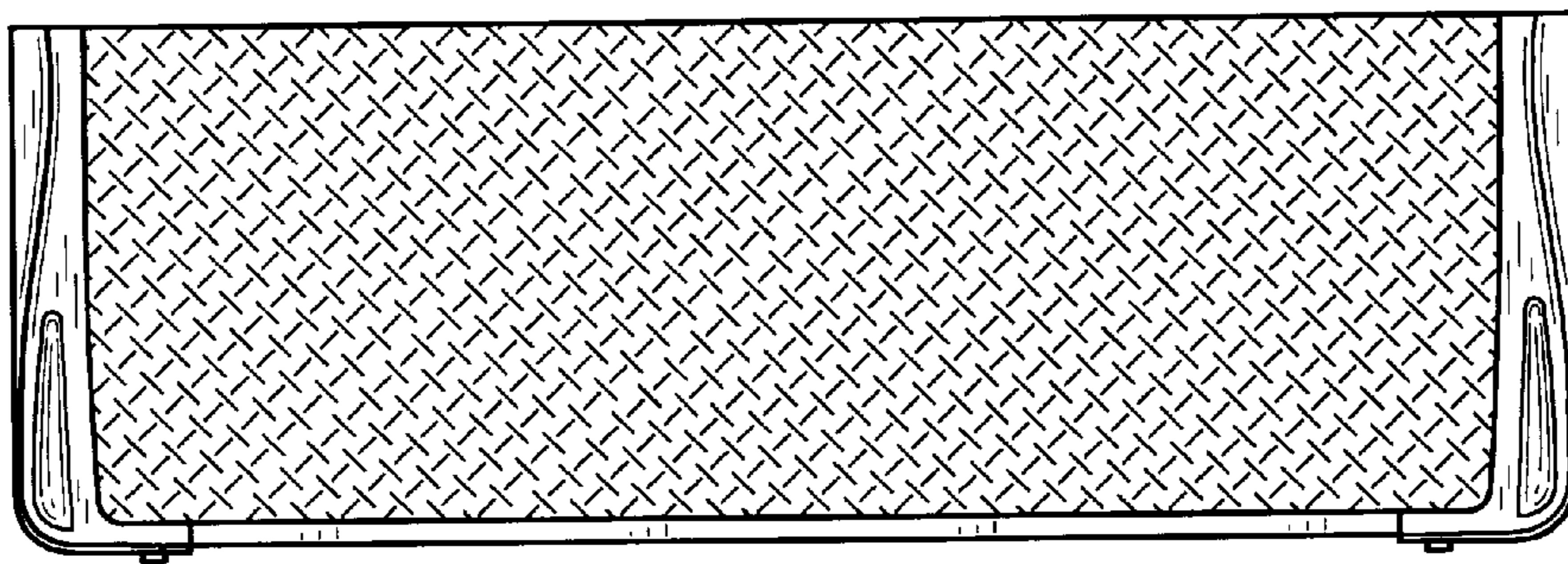


FIG. 5

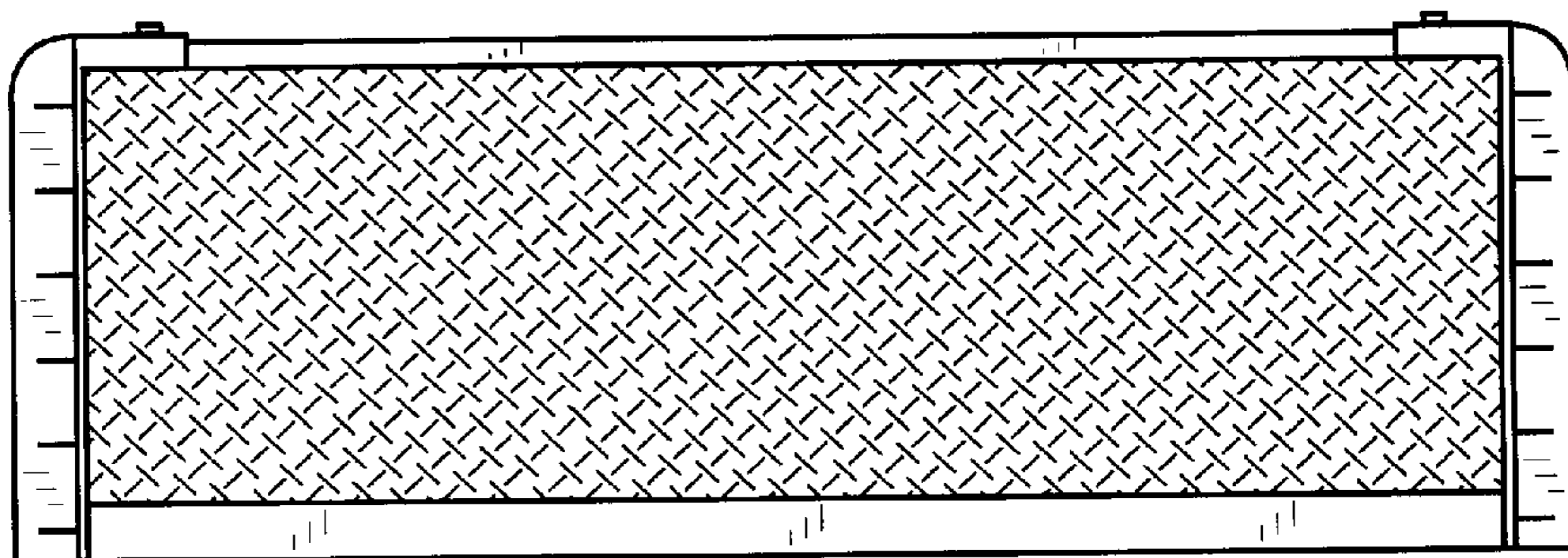


FIG. 6