



US00D419064S

United States Patent [19] Gorry

[11] **Patent Number: Des. 419,064**

[45] **Date of Patent: ** Jan. 18, 2000**

[54] **PACKAGING**

[75] Inventor: **Sylvain Gorry**, Montreal, Canada

[73] Assignee: **Priva Inc.**, Anjou, Canada

[**] Term: **14 Years**

[21] Appl. No.: **29/099,602**

[22] Filed: **Jan. 25, 1999**

[30] **Foreign Application Priority Data**

Dec. 21, 1998 [CA] Canada 1998-3107

[51] **LOC (7) Cl.** **09-07**

[52] **U.S. Cl.** **D9/415**

[58] **Field of Search** D9/415, 418, 414,
D9/457; 206/461-471, 806, 495, 316.1,
316.3, 349, 376, 379, 778

[56] **References Cited**

U.S. PATENT DOCUMENTS

D. 349,239 8/1994 Steenland D9/415
D. 358,763 5/1995 Weatherford et al. D9/415

D. 376,312 12/1996 Cahn et al. D9/415
D. 412,437 8/1999 Josephs D9/415
574,091 4/1896 Chou 206/806 X
4,019,632 4/1977 Greenlee 206/349
5,279,420 1/1994 Rodgers 206/461 X
5,484,056 1/1996 Wood 206/461 X
5,509,532 4/1996 Brody 206/349

Primary Examiner—Prabhakar Deshmukh
Attorney, Agent, or Firm—McFadden, Fincham

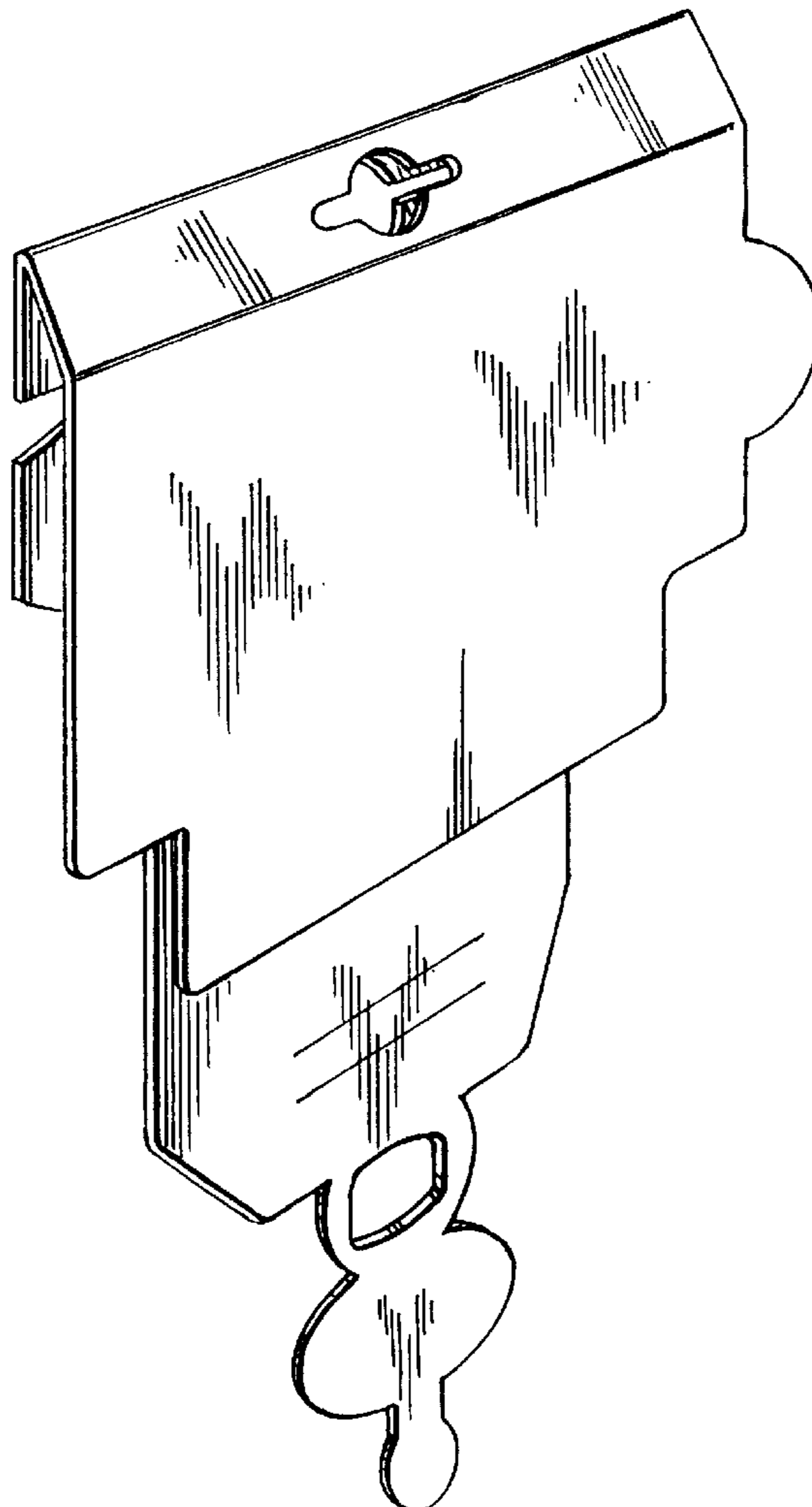
[57] **CLAIM**

The ornamental design for a packaging, as shown.

DESCRIPTION

FIG. 1 is front perspective view of the packaging of the present design;
FIG. 2 is a front elevational view thereof;
FIG. 3 is a rear elevational view thereof;
FIG. 4 is a left side elevational view thereof;
FIG. 5 is a right side elevational view thereof;
FIG. 6 is a top plan view thereof; and,
FIG. 7 is a bottom plan view thereof.

1 Claim, 3 Drawing Sheets



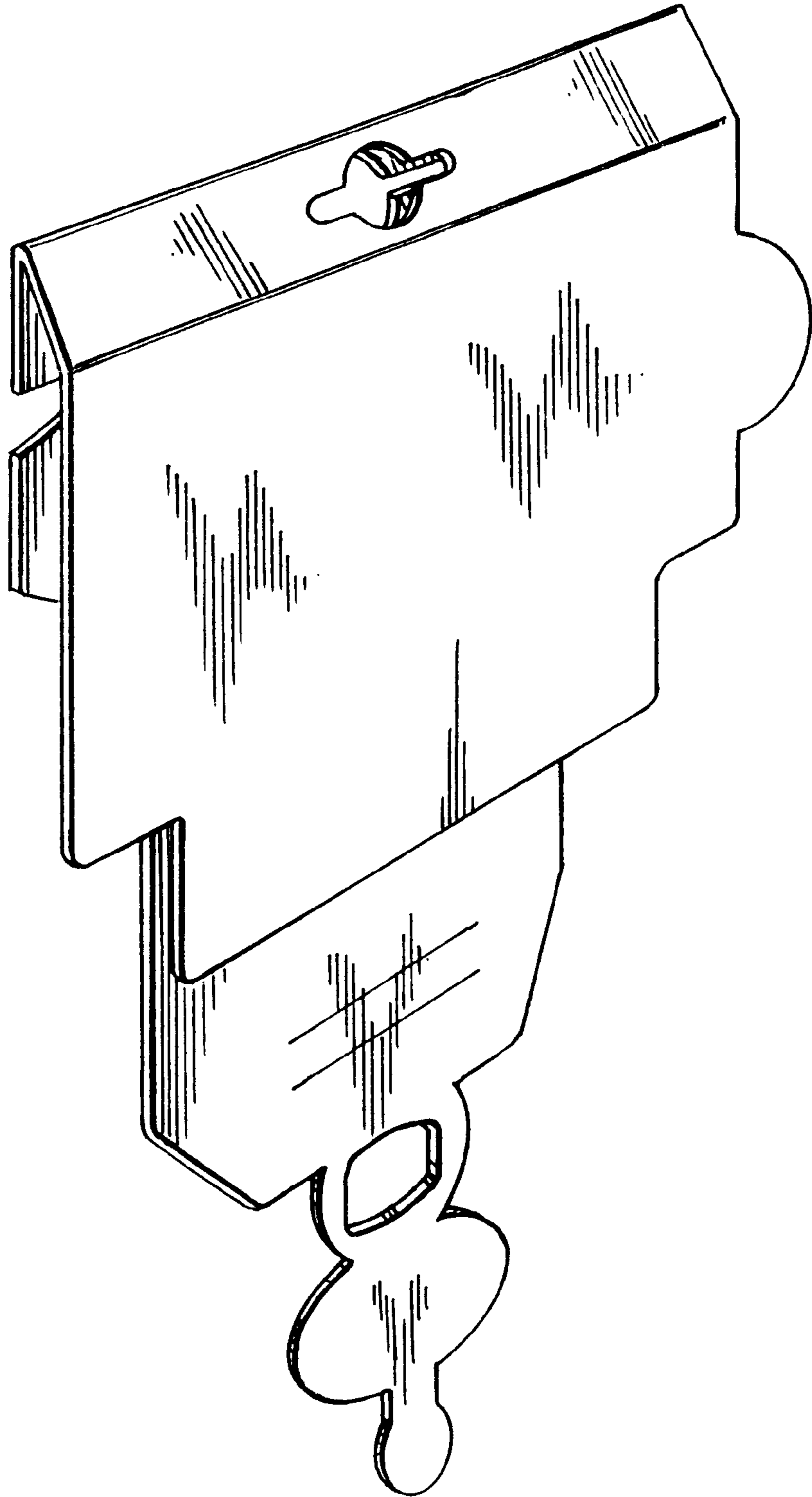


FIG. 1

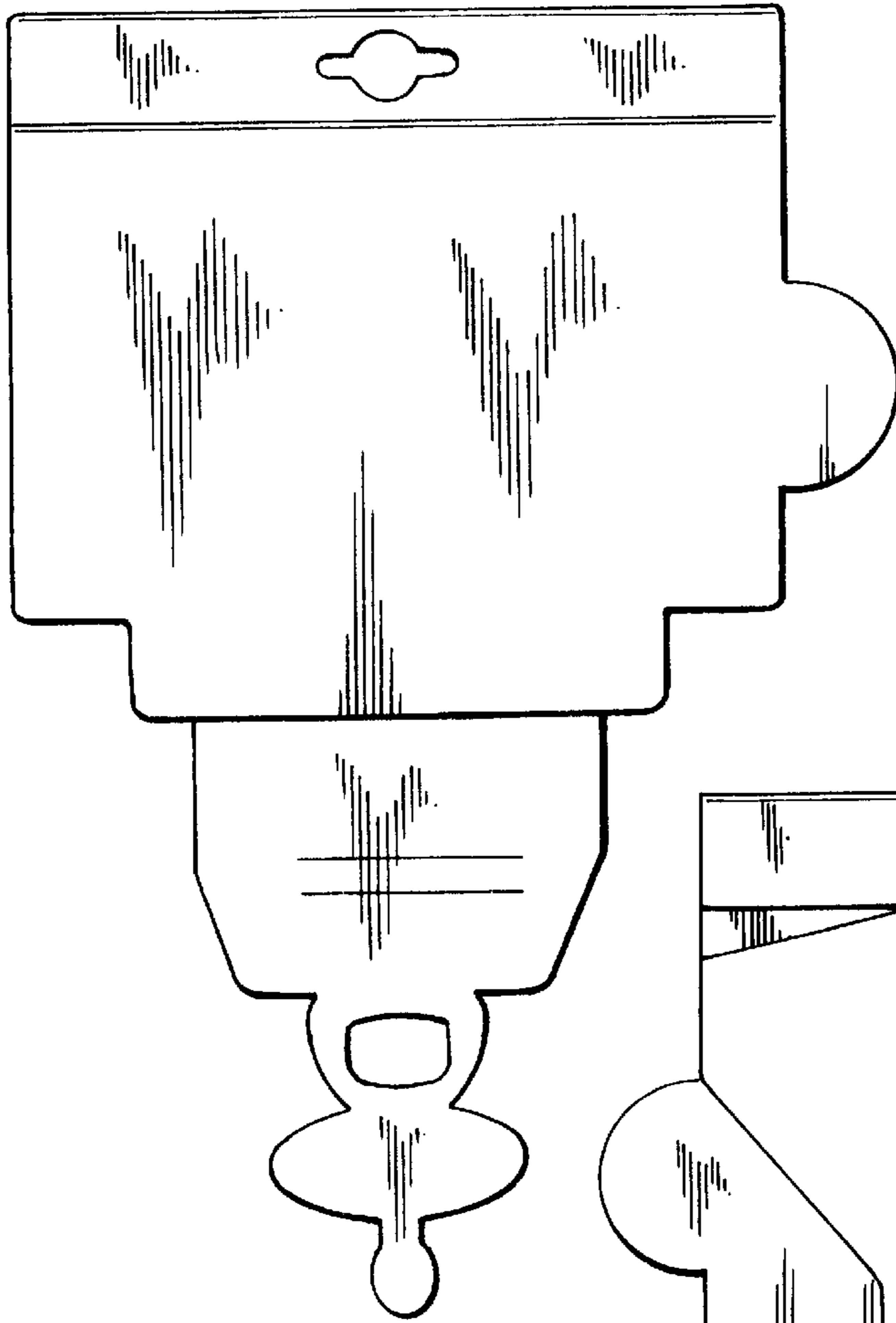


FIG.2

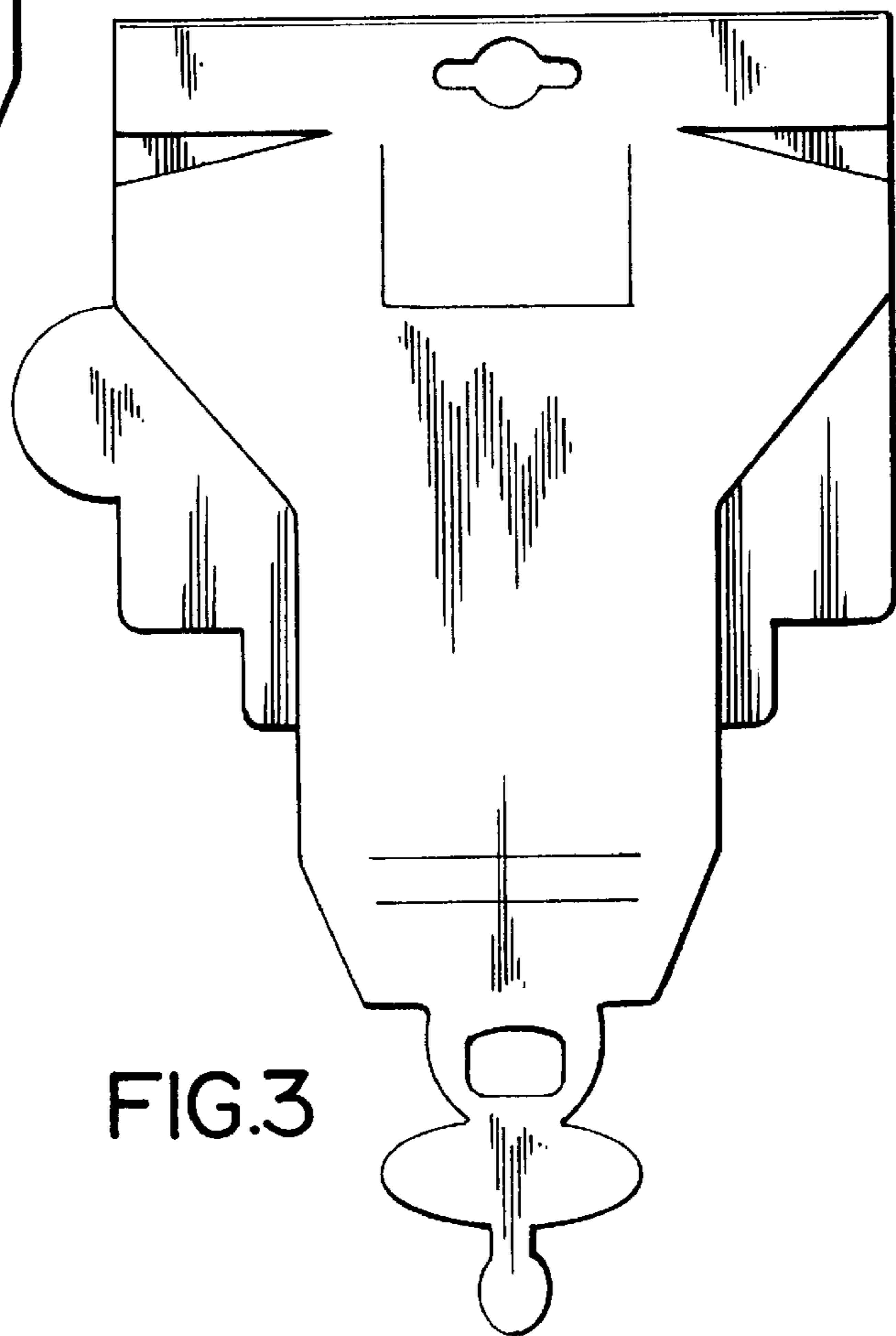


FIG.3

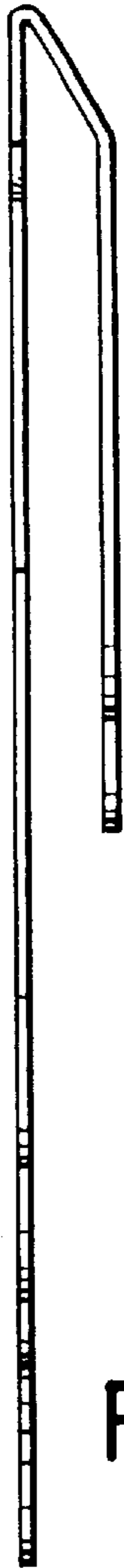


FIG. 4

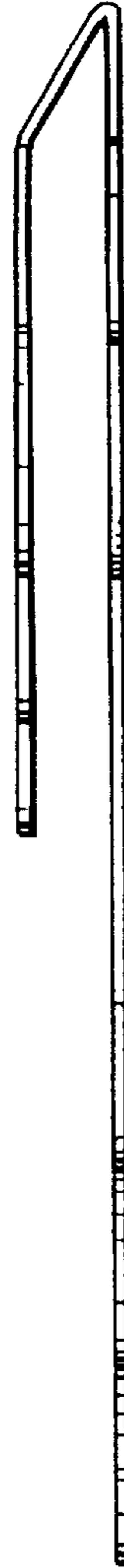


FIG. 5



FIG. 7



FIG. 6