



US00D419056S

United States Patent [19]

[11] **Patent Number: Des. 419,056**

Brorsson et al.

[45] **Date of Patent: ** Jan. 18, 2000**

[54] **LOCKING SPRING FOR A CONNECTOR**

[58] **Field of Search** D13/133, 154;
D14/217, 256; 439/345, 348, 592-597,
603; 403/280, 291, 297, 341; D8/499

[75] **Inventors: Lena Charlott Brorsson, Lund; Jan Gustav Atterklint, Skärholmen; Sven Ingvar Sjöqvist, Tullinge, all of Sweden; Jacobus Nicolaas Tuin, Best, Netherlands; Carl-Magnus Hansson, Lund, Sweden**

[56] **References Cited**
U.S. PATENT DOCUMENTS

[73] **Assignee: Telefonaktiebolaget LM Ericsson, Stockholm, Sweden**

306,690	10/1884	Johnson .
3,486,162	12/1969	Leitmann .
4,601,497	7/1986	Bartholomew .
4,861,278	8/1989	McBride et al. .
4,932,899	6/1990	Sueyoshi et al. .
4,994,696	2/1991	Sueyoshi et al. .
5,160,279	11/1992	Sagawa et al. .

[**] **Term: 14 Years**

Primary Examiner—B. J. Bullock
Attorney, Agent, or Firm—Burns, Doane, Swecker & Mathis, L.L.P.

[21] **Appl. No.: 29/097,536**

[22] **Filed: Dec. 9, 1998**

Related U.S. Application Data

[57] **CLAIM**

[62] **Division of application No. 29/060,693, Oct. 4, 1996, Pat. No. Des. 406,231.**

The ornamental design for a locking spring for a connector, as shown and described.

Foreign Application Priority Data

DESCRIPTION

Apr. 4, 1996 [SE] Sweden 96-0772

FIG. 1 is a rear, top perspective view of the locking spring for a connector showing our new design; and, FIG. 2 is a front, bottom perspective view thereof.

[51] **LOC (7) Cl. 08-99**

[52] **U.S. Cl. D8/499; D13/154**

1 Claim, 1 Drawing Sheet

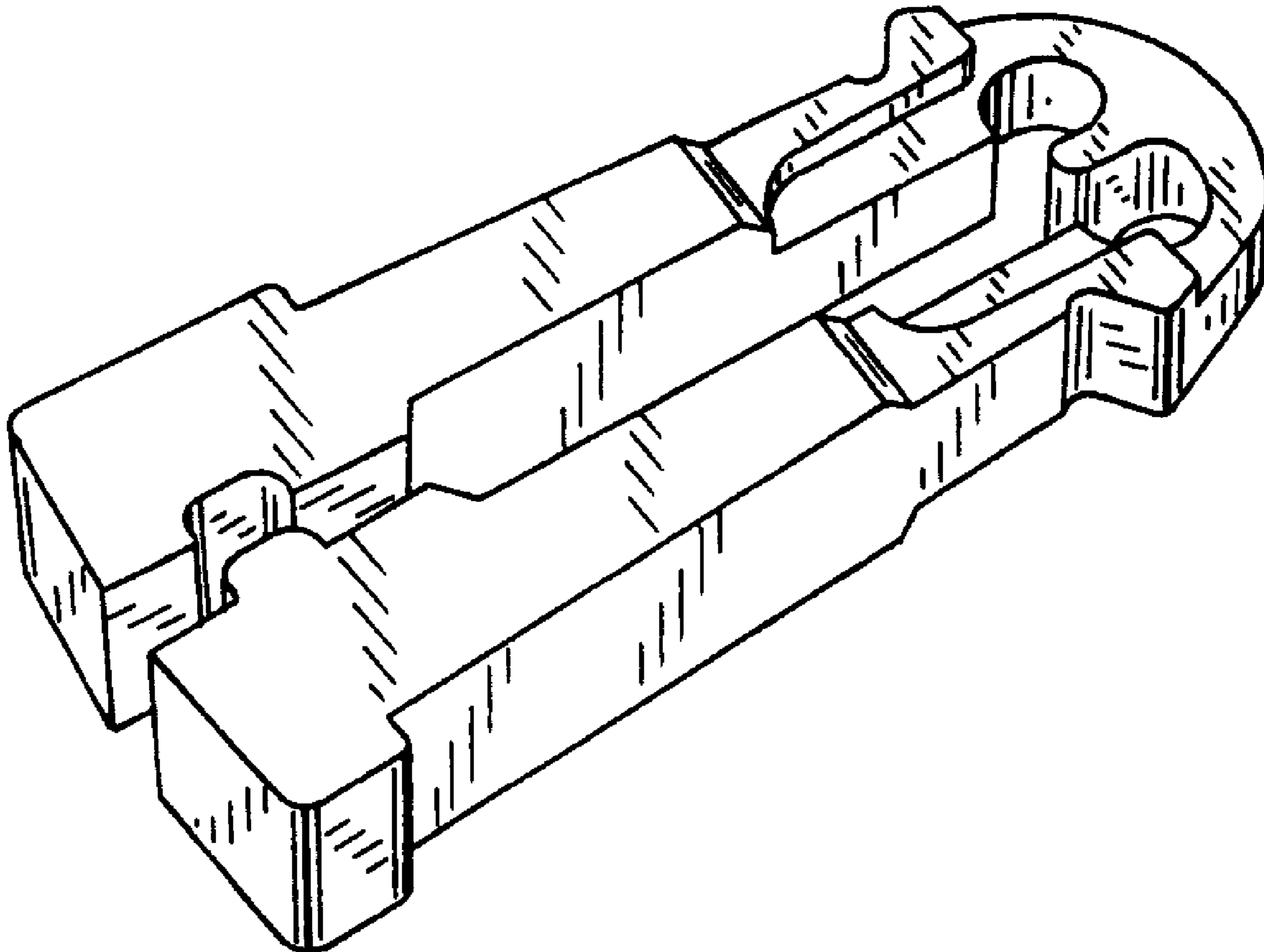


FIG. 1

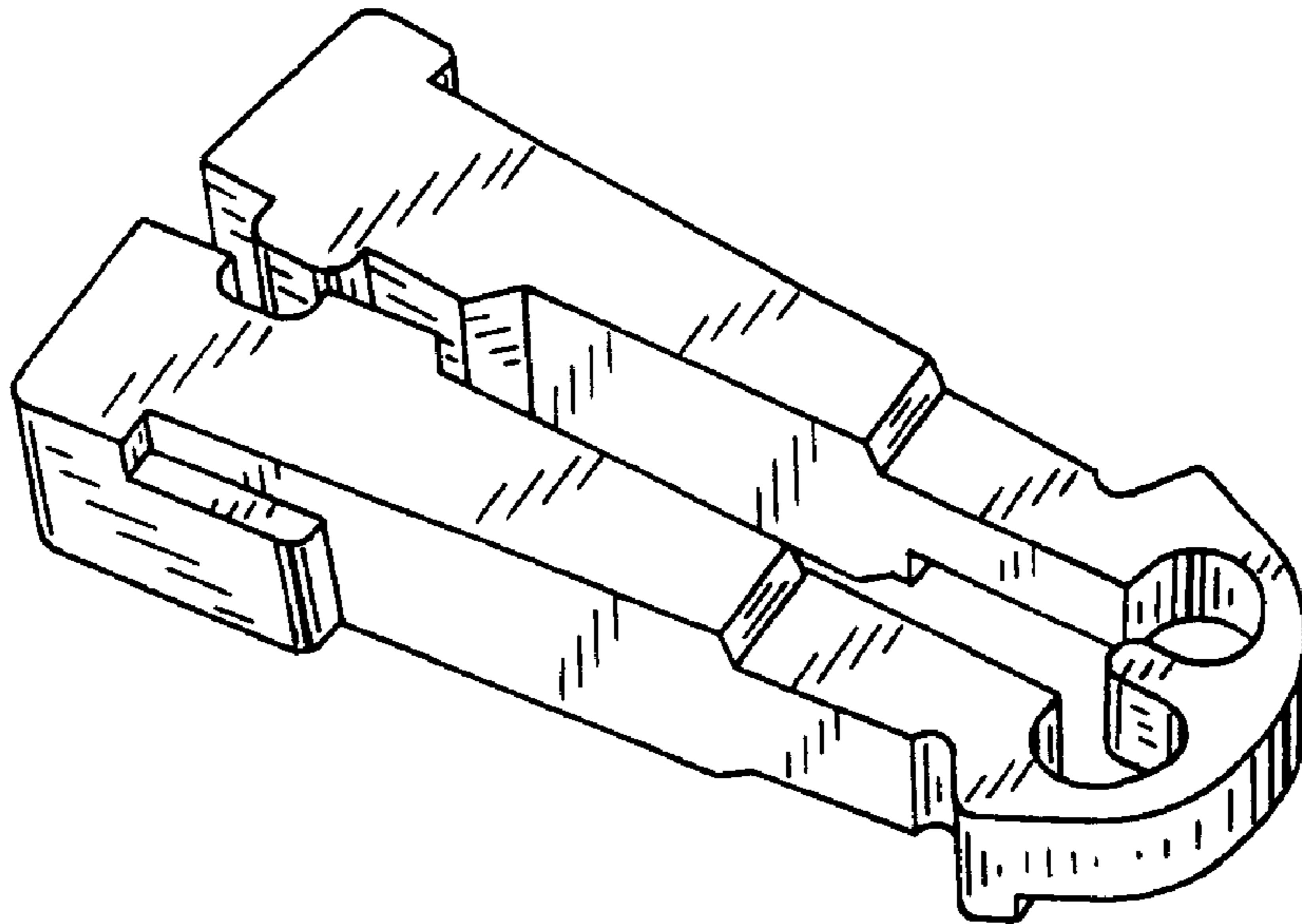
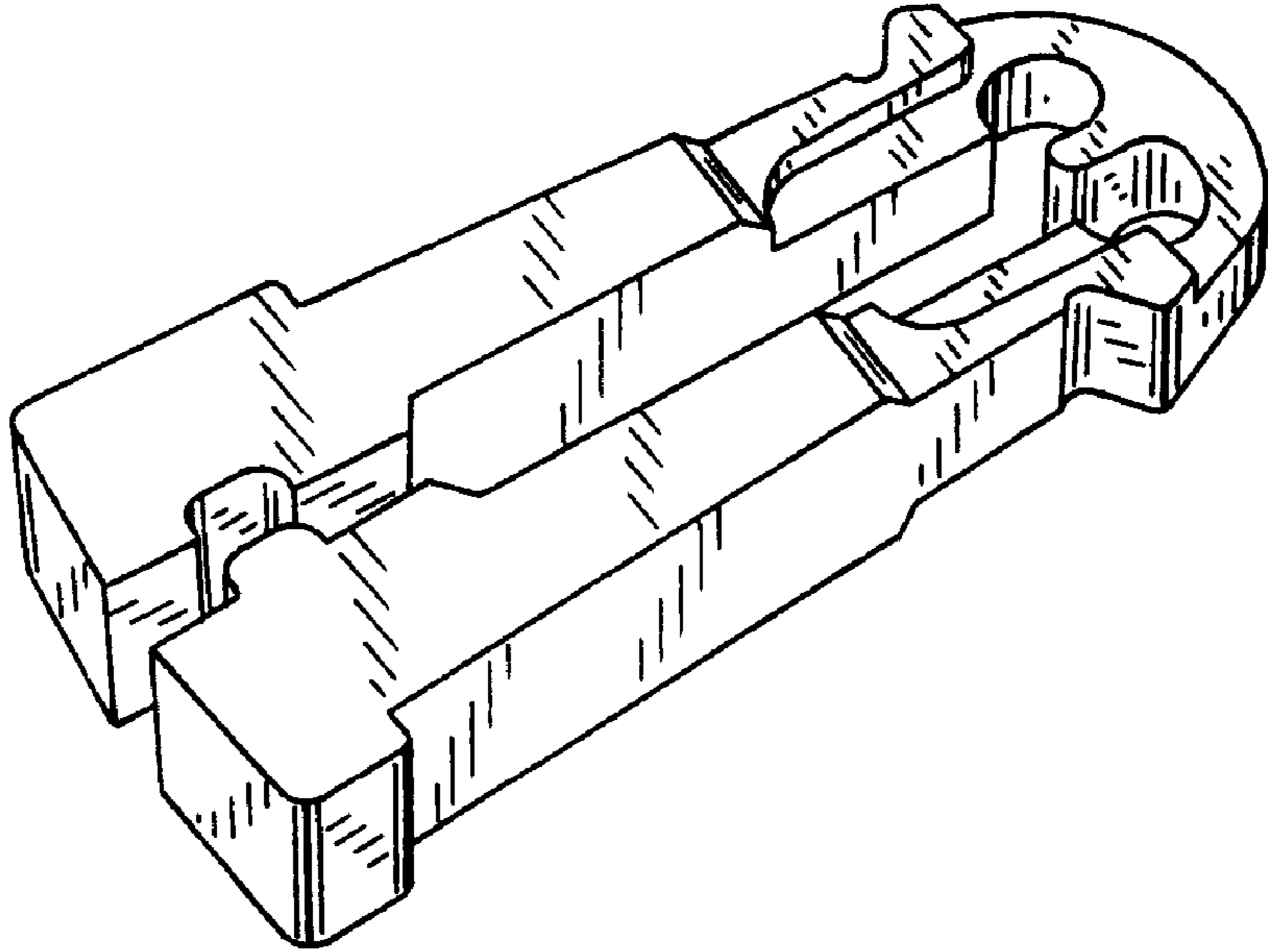


FIG. 2