



US00D419055S

United States Patent [19]
Monson

[11] **Patent Number: Des. 419,055**
[45] **Date of Patent: ** Jan. 18, 2000**

[54] **COUPLING DEVICE FOR CONSTRUCTION MATERIAL**

DESCRIPTION

[76] Inventor: **Robert J. Monson**, 1027 Brenner Ave.,
St. Paul, Minn. 55113

[**] Term: **14 Years**

[21] Appl. No.: **29/106,219**

[22] Filed: **Jun. 9, 1999**

[51] **LOC (7) Cl.** **08-08**

[52] **U.S. Cl.** **D8/382**

[58] **Field of Search** D8/382; 52/233;
403/403, 270, 170, 231

[56] **References Cited**

U.S. PATENT DOCUMENTS

1,402,438	1/1922	Nichols	52/233
2,617,502	11/1952	Kessler	403/231
3,966,337	6/1976	Crawford	403/170
5,059,056	10/1991	Banthia et al.	403/170
5,746,325	5/1998	Lee	403/403 X

Primary Examiner—Holly Baynham

[57] **CLAIM**

The ornamental design for a coupling device for construction material, as shown and described.

FIG. 1 is a front, top and left side perspective view of a coupling device for construction material showing my new design in full lines with the broken lines showing of environmental association matter being for illustrative purposes only and forming no part of the claimed design;

FIG. 2 is an enlarged front, bottom and left side perspective view of the coupling device for construction material;

FIG. 3 is a front, bottom and right side perspective view of the coupling device for construction material;

FIG. 4 is an enlarged left side elevational view of the coupling device for construction material;

FIG. 5 is a front elevational view of the coupling device for construction material;

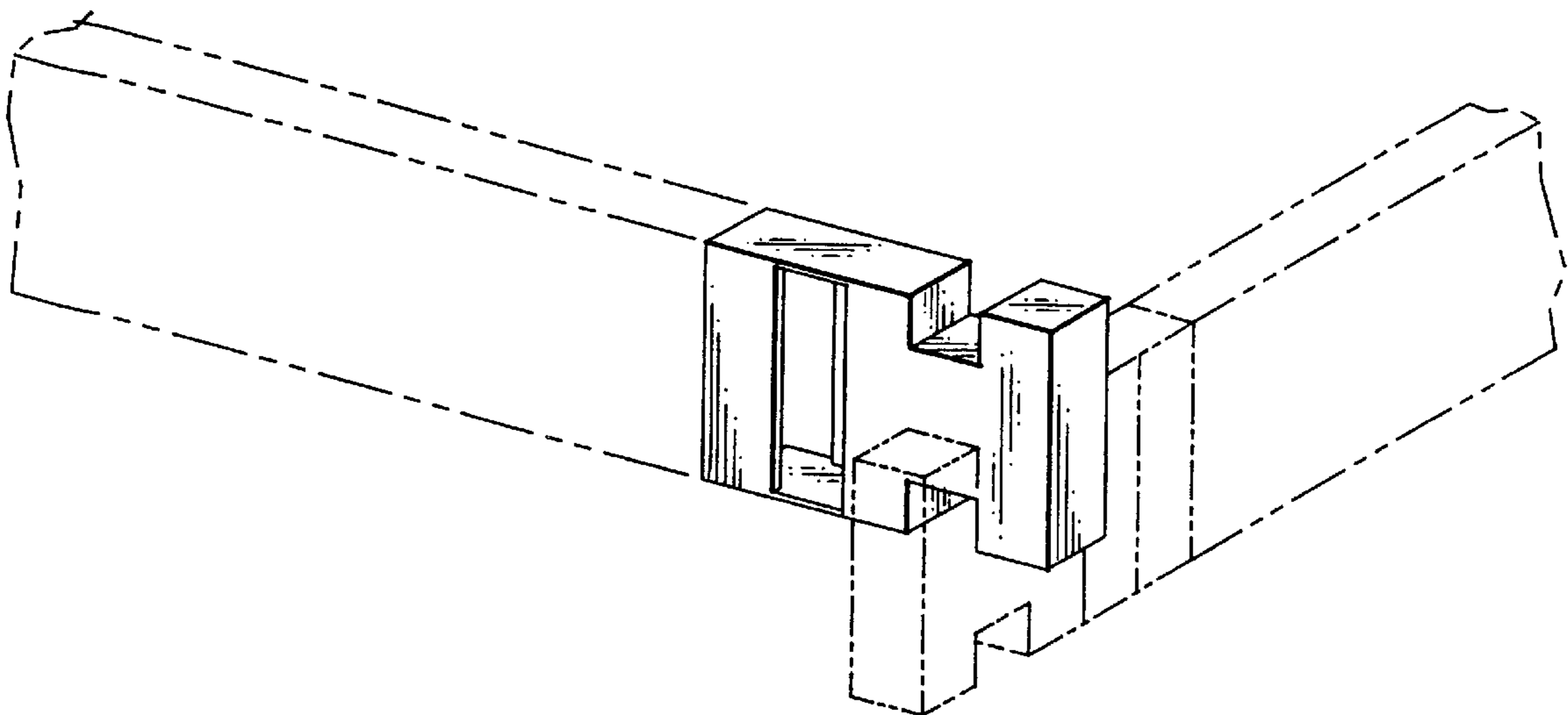
FIG. 6 is a back elevational view of the coupling device for construction material;

FIG. 7 is a top plan view of the coupling device for construction material;

FIG. 8 is a bottom plan view of the coupling device for construction material; and,

FIG. 9 is a right side elevational view of the coupling device for construction material.

1 Claim, 2 Drawing Sheets



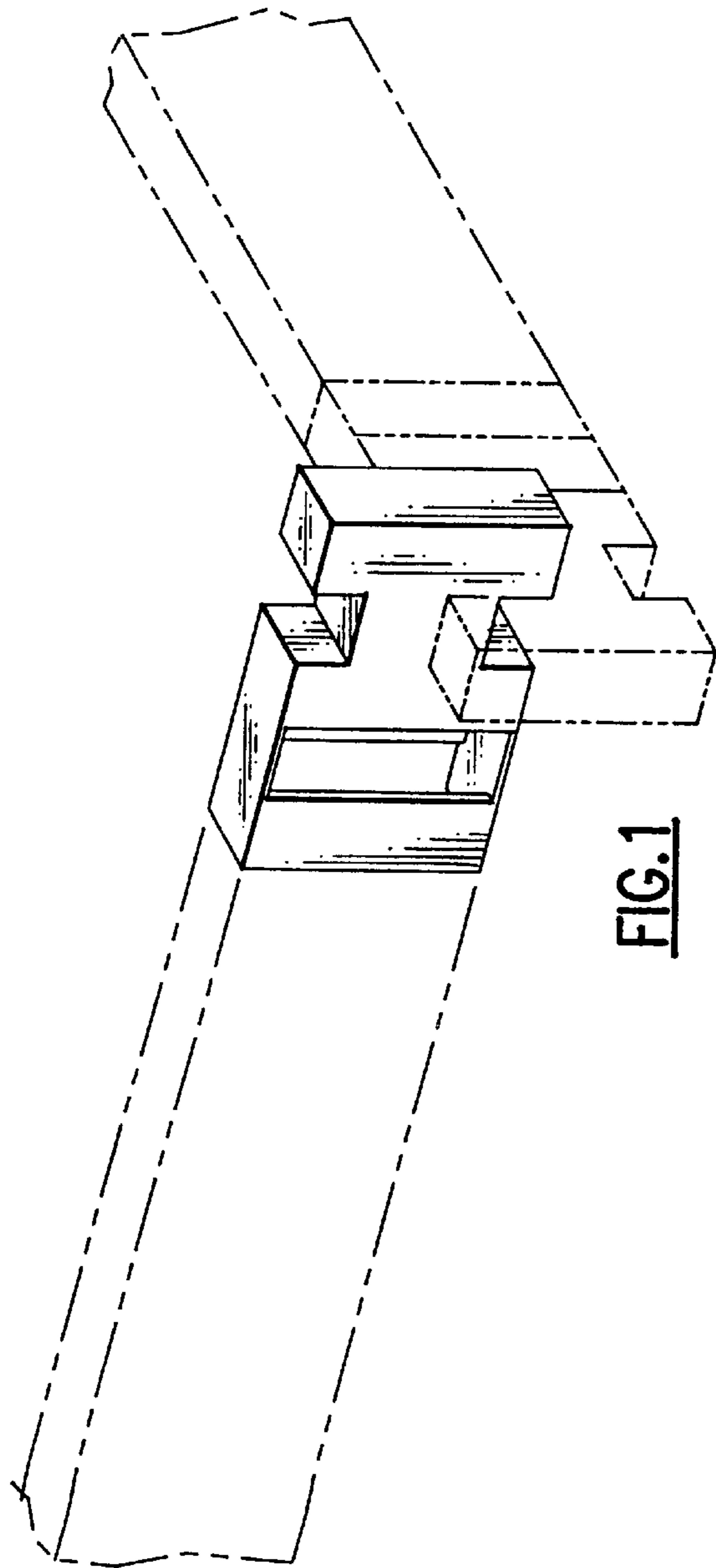


FIG. 1

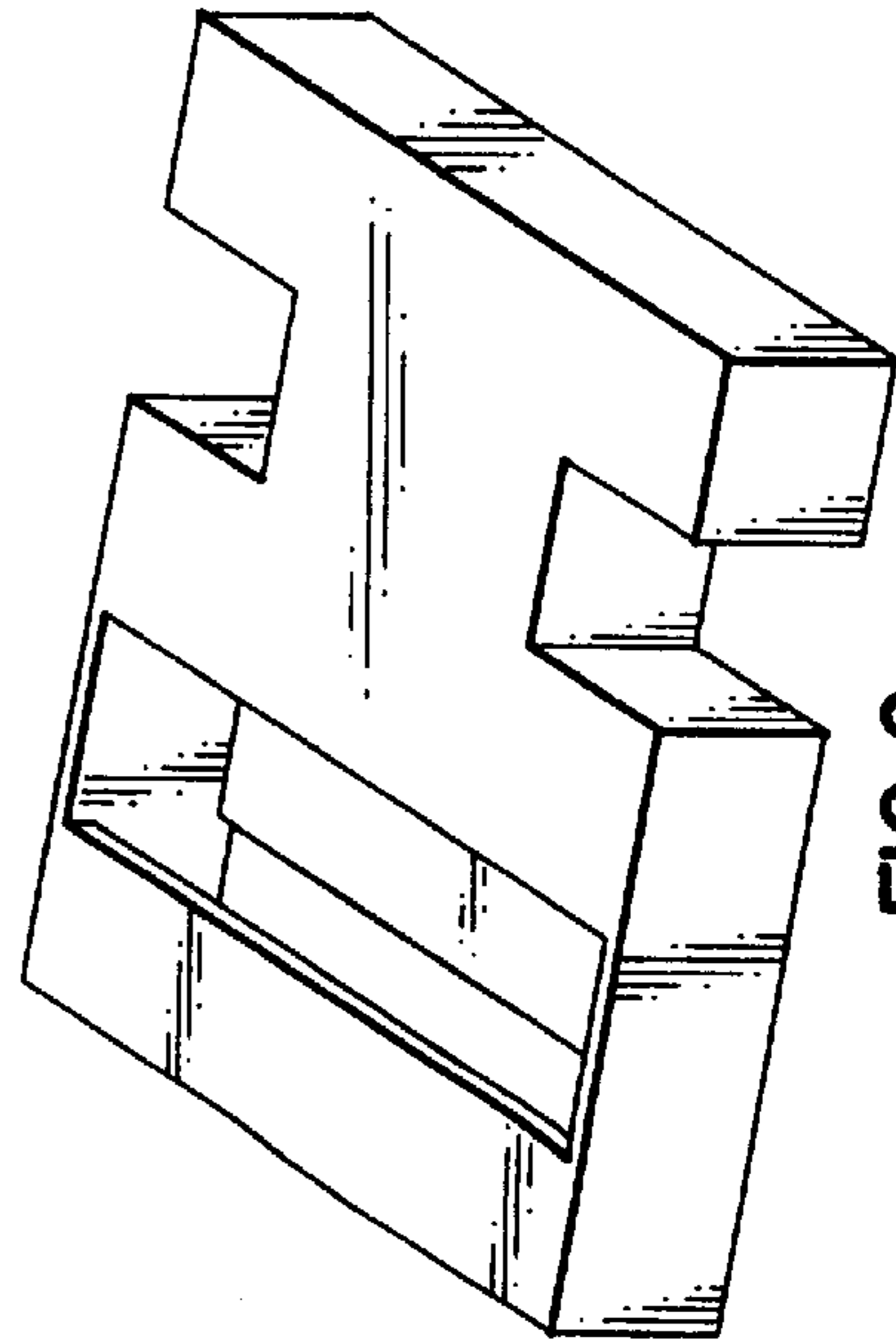


FIG. 2

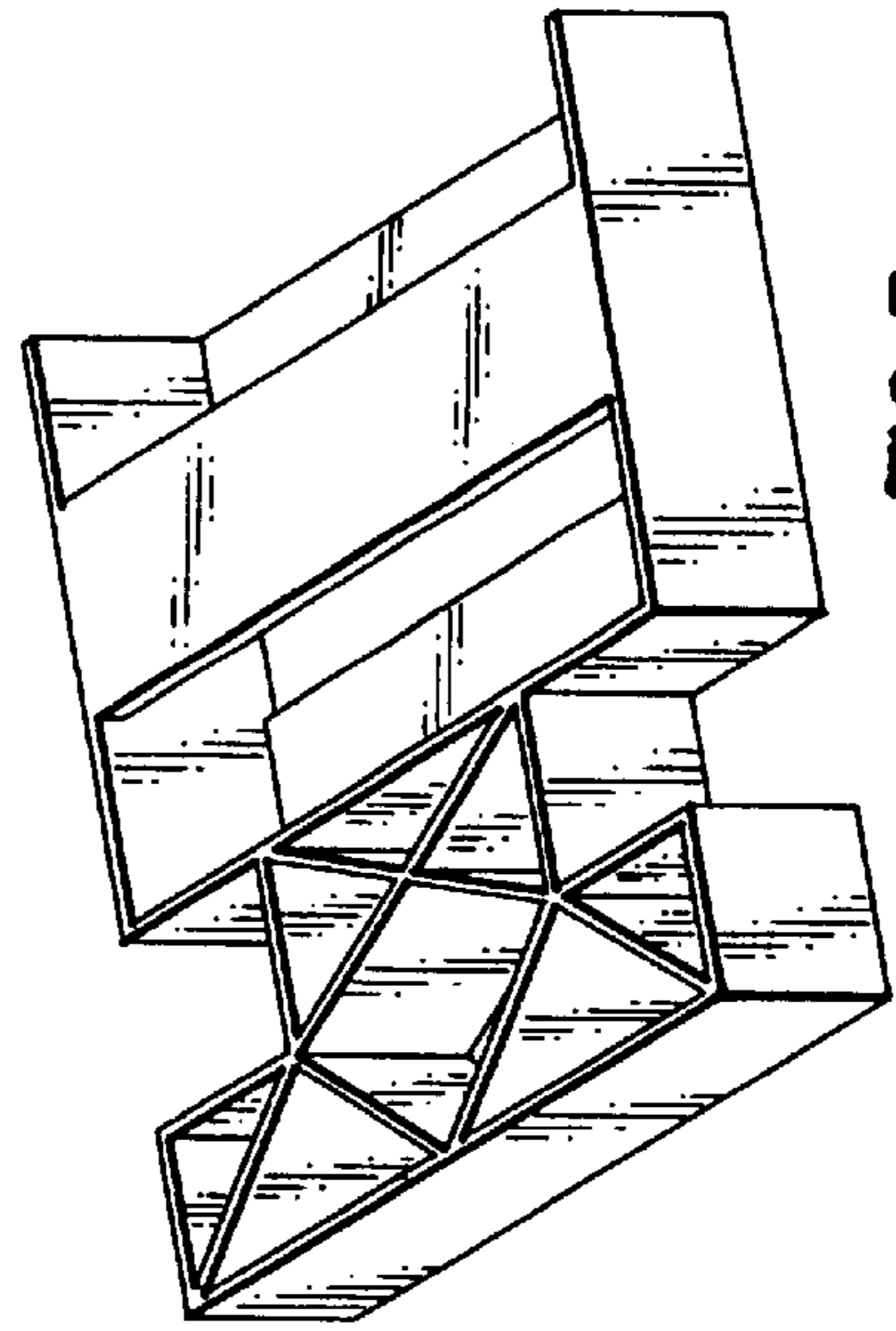


FIG. 3

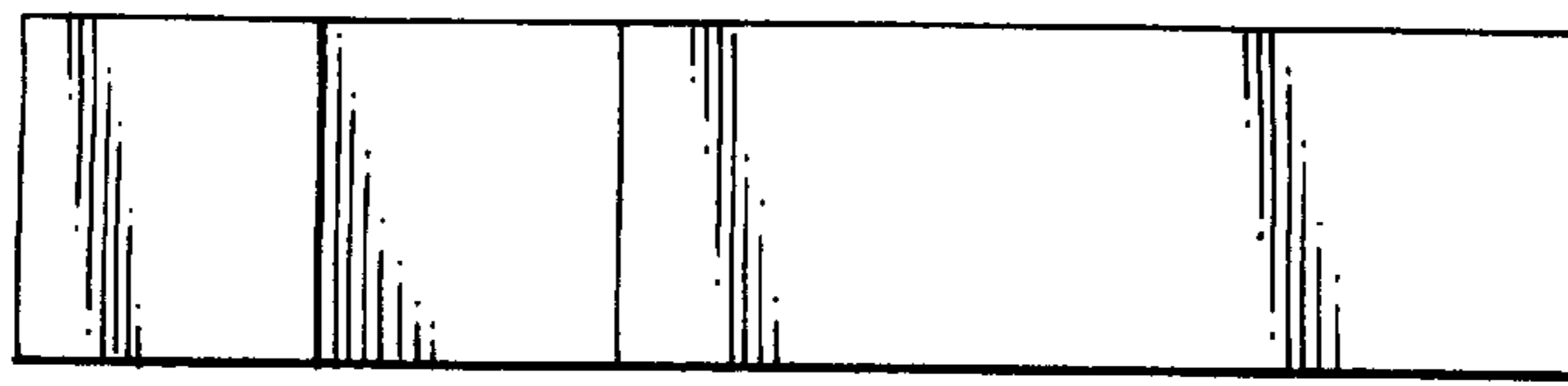


FIG.7

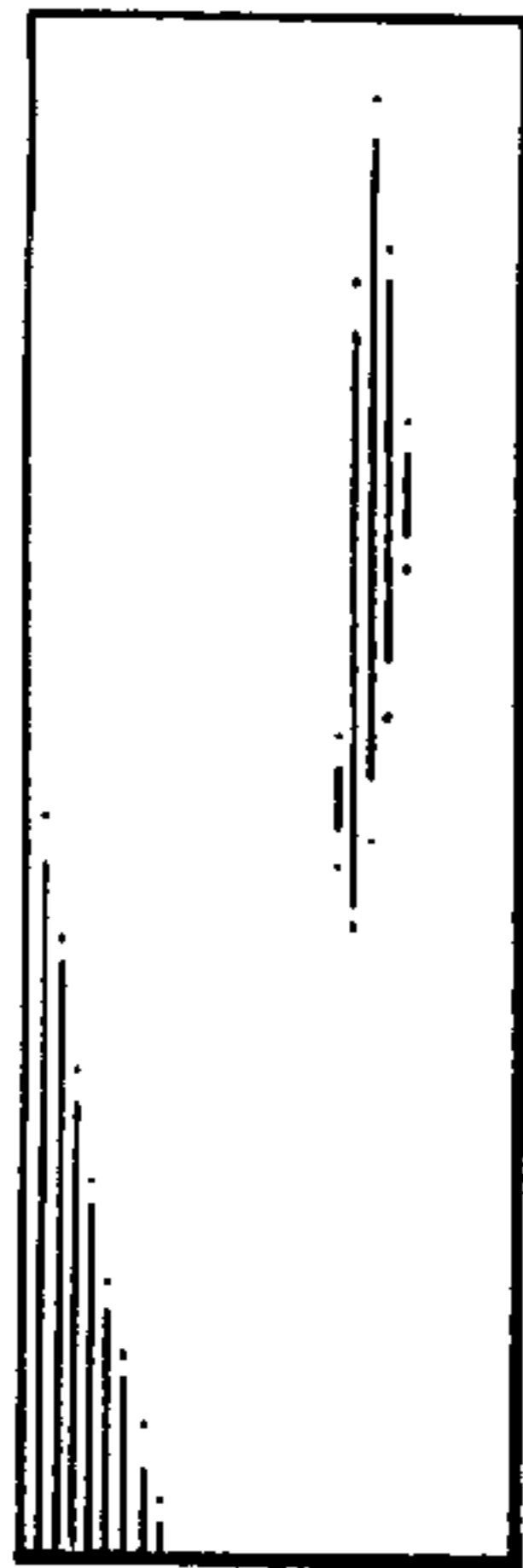


FIG.5

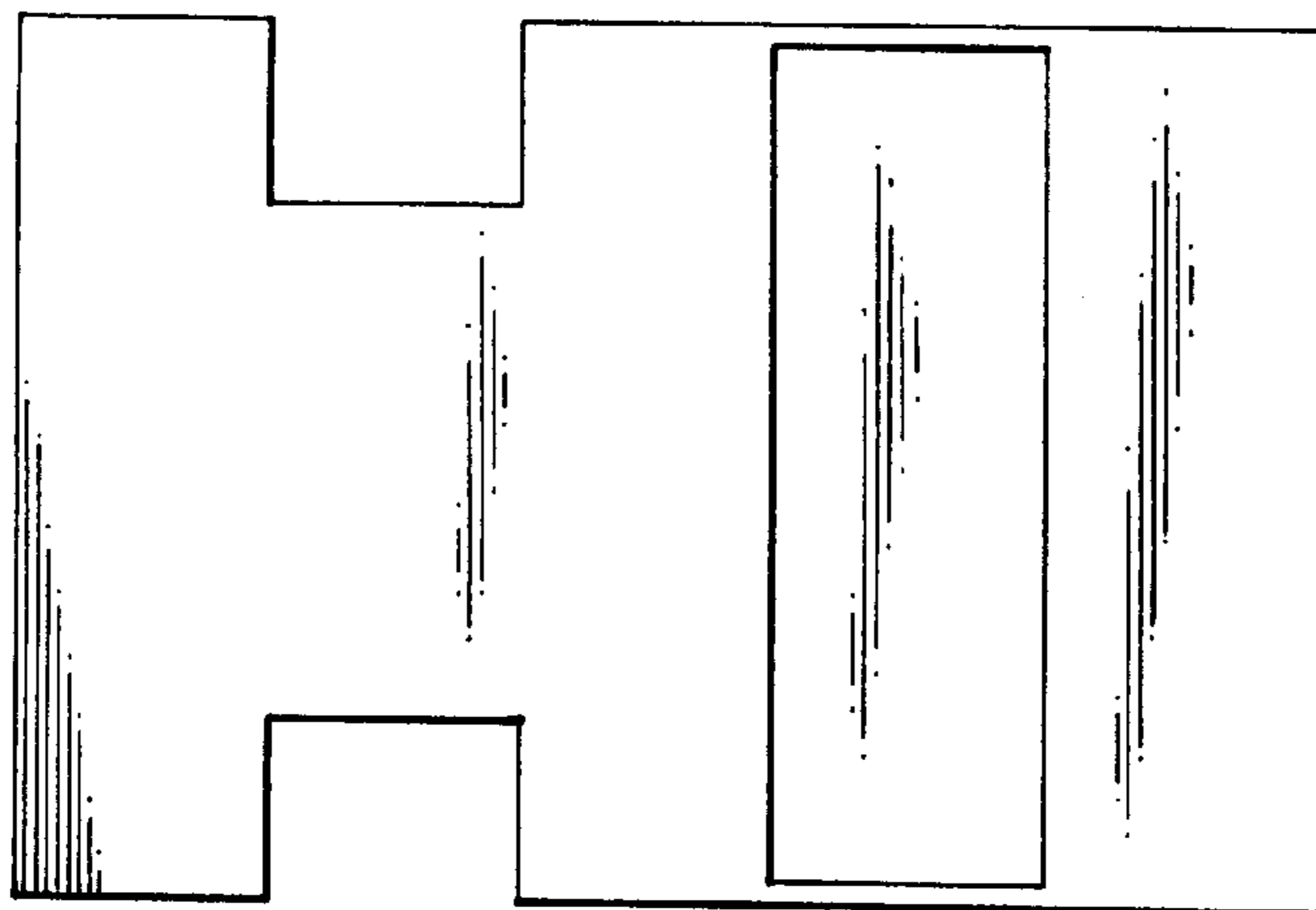


FIG.4



FIG.6

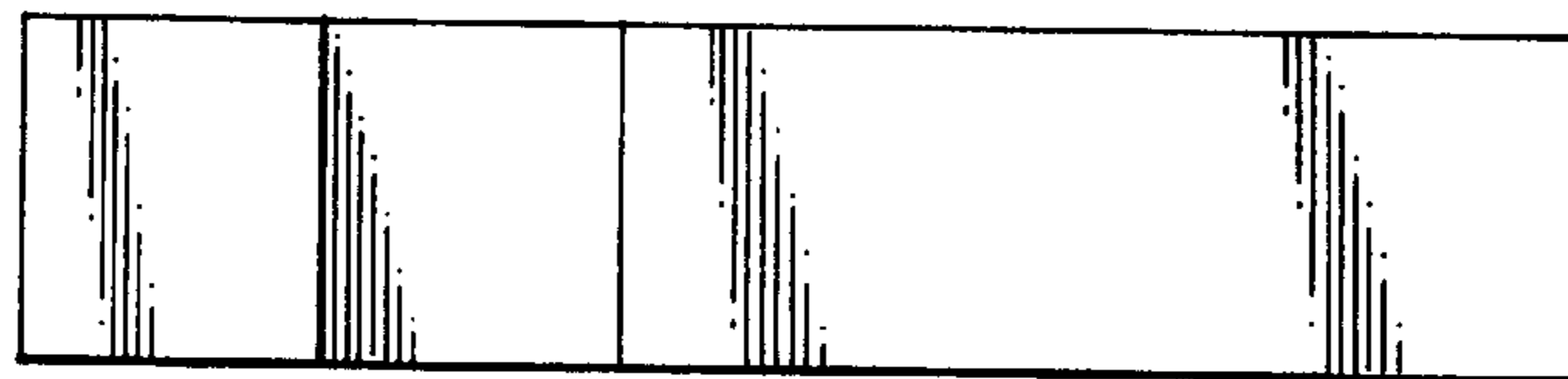


FIG.8

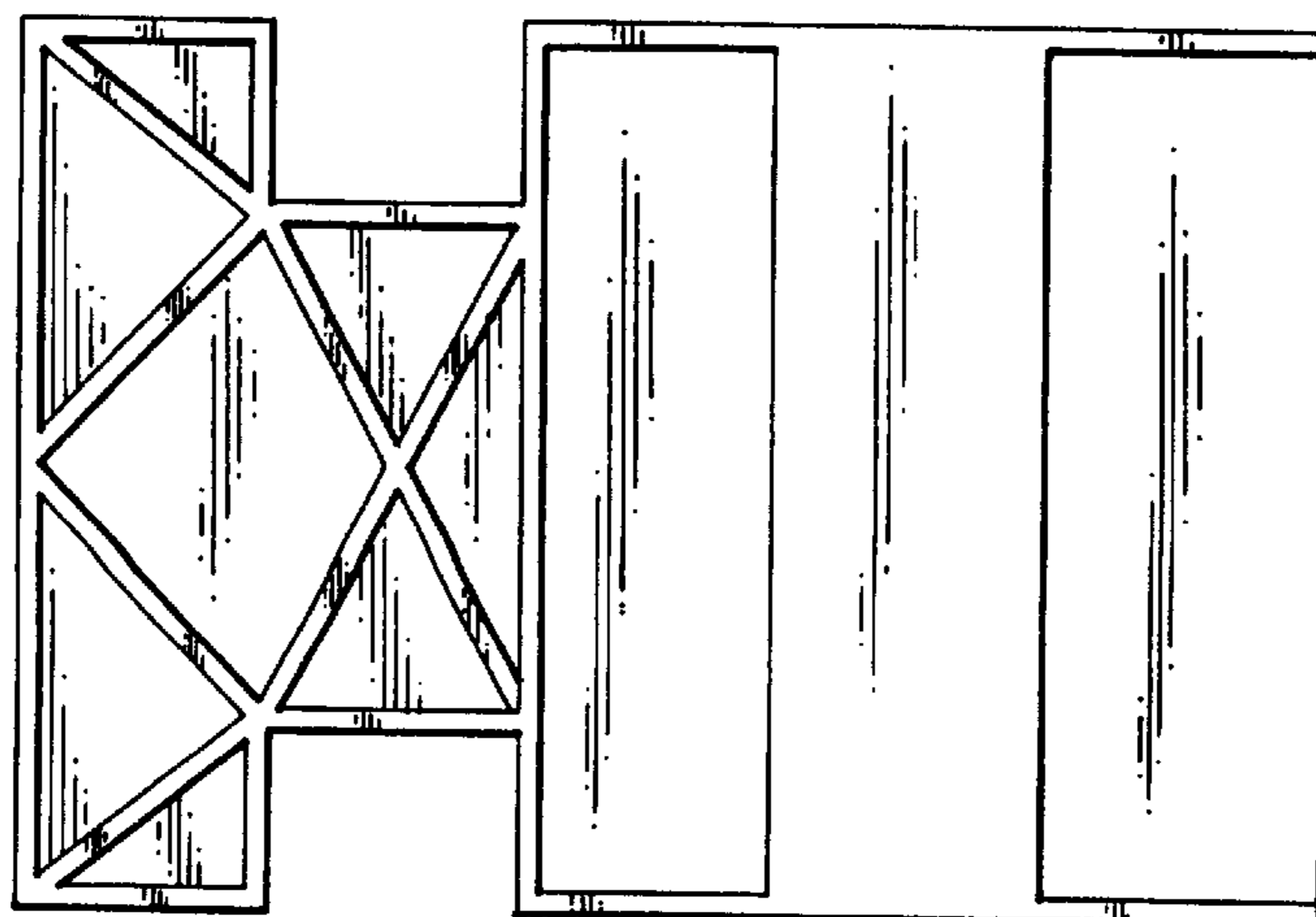


FIG.9