



US00D419052S

United States Patent [19]

Laporte et al.

[11] Patent Number: **Des. 419,052**

[45] Date of Patent: **** Jan. 18, 2000**

[54] **PATIO DOOR LOCK**

4,379,576 4/1983 Blough et al. 292/DIG. 46 X
5,228,733 7/1993 Winters 292/DIG. 46 X

[75] Inventors: **Louis Laporte**, St-Bruno; **Jean Blouin**, Montreal, both of Canada

Primary Examiner—Susan J. Lucas
Assistant Examiner—Jennifer Rivard
Attorney, Agent, or Firm—St. Onge Steward Johnston & Reens LLC

[73] Assignee: **Dudley, Inc.**, Hemmingford, Canada

[**] Term: **14 Years**

[57] CLAIM

[21] Appl. No.: **29/090,348**

The ornamental design for a patio door lock, as shown and described.

[22] Filed: **Jul. 7, 1998**

DESCRIPTION

[51] **LOC (7) Cl.** **08-07**

[52] **U.S. Cl.** **D8/336**

[58] **Field of Search** 70/95, 96, 98;
D8/330, 331, 336, 339; 292/362, DIG. 46,
170, 330, 36

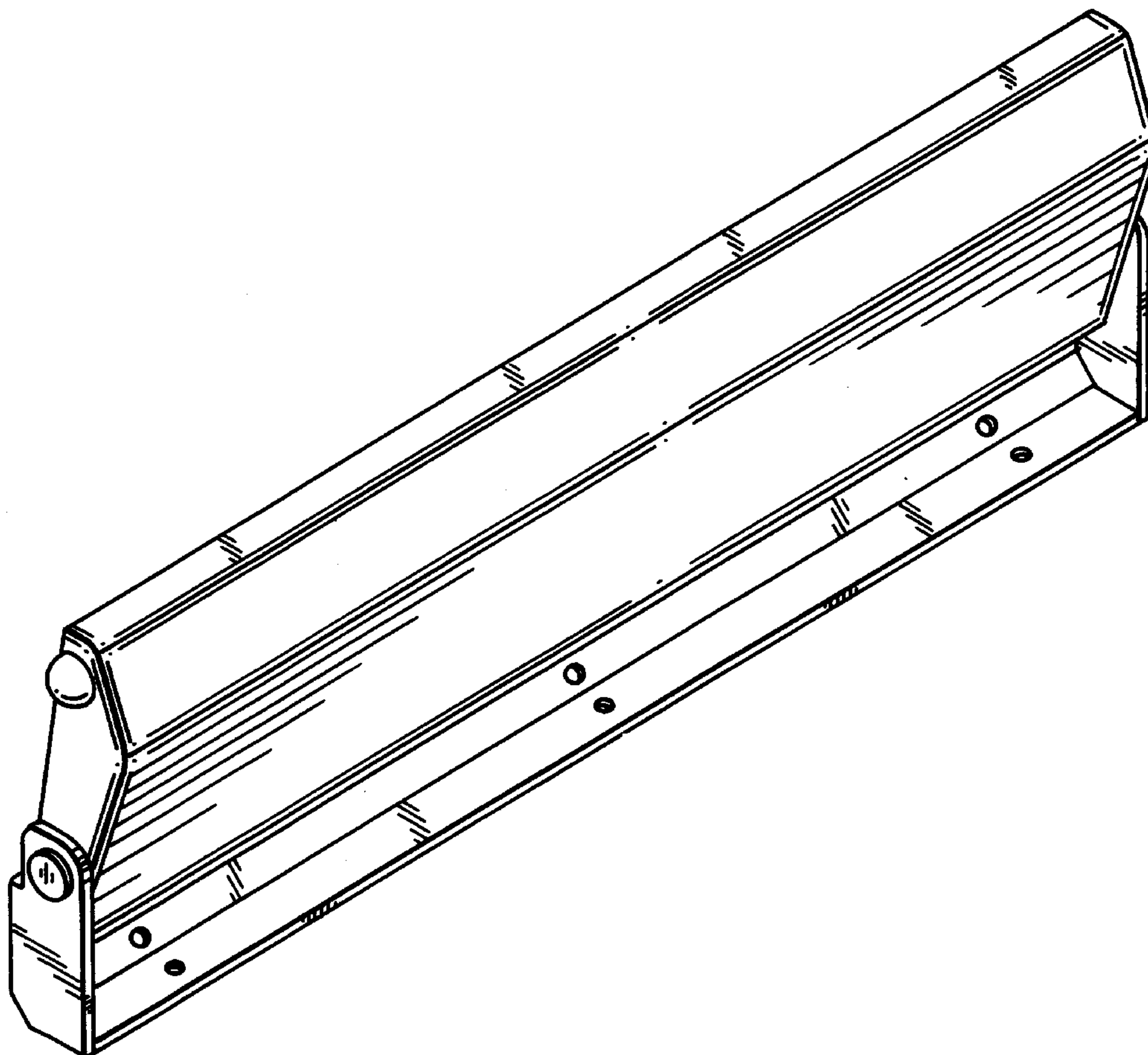
FIG. 1 is a front perspective view of the patio door lock in an unlocked position;
FIG. 2 is a front elevational view thereof;
FIG. 3 is a right side elevational view thereof;
FIG. 4 is a top plan view thereof;
FIG. 5 is a bottom plan view thereof;
FIG. 6 is a left side elevational view thereof;
FIG. 7 is a back elevational view thereof; and,
FIG. 8 is a front perspective view of the patio door lock in a locked position.

[56] References Cited

U.S. PATENT DOCUMENTS

D. 262,939	2/1982	Shook et al.	D8/336
3,821,884	7/1974	Walsh	70/95
4,295,676	10/1981	Smith	292/262
4,362,328	12/1982	Tacheny et al.	292/36

1 Claim, 4 Drawing Sheets



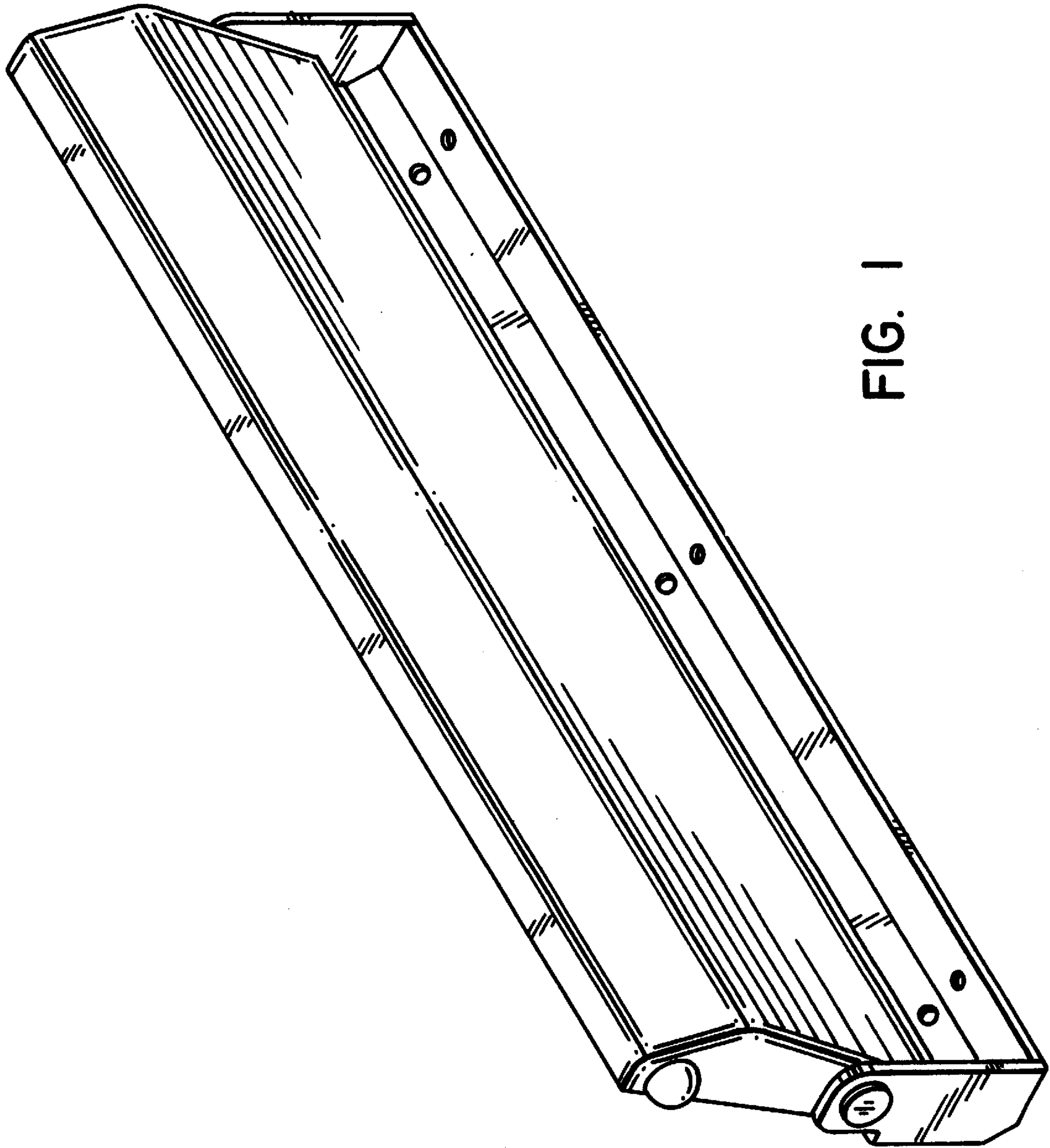


FIG. 1

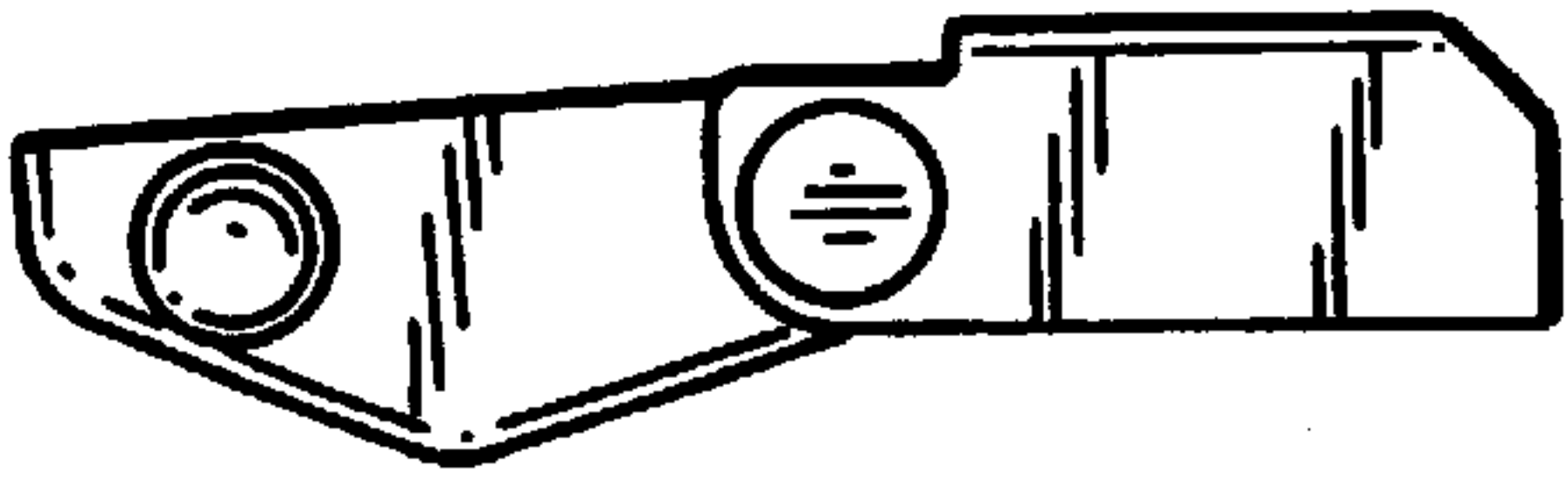


FIG. 3

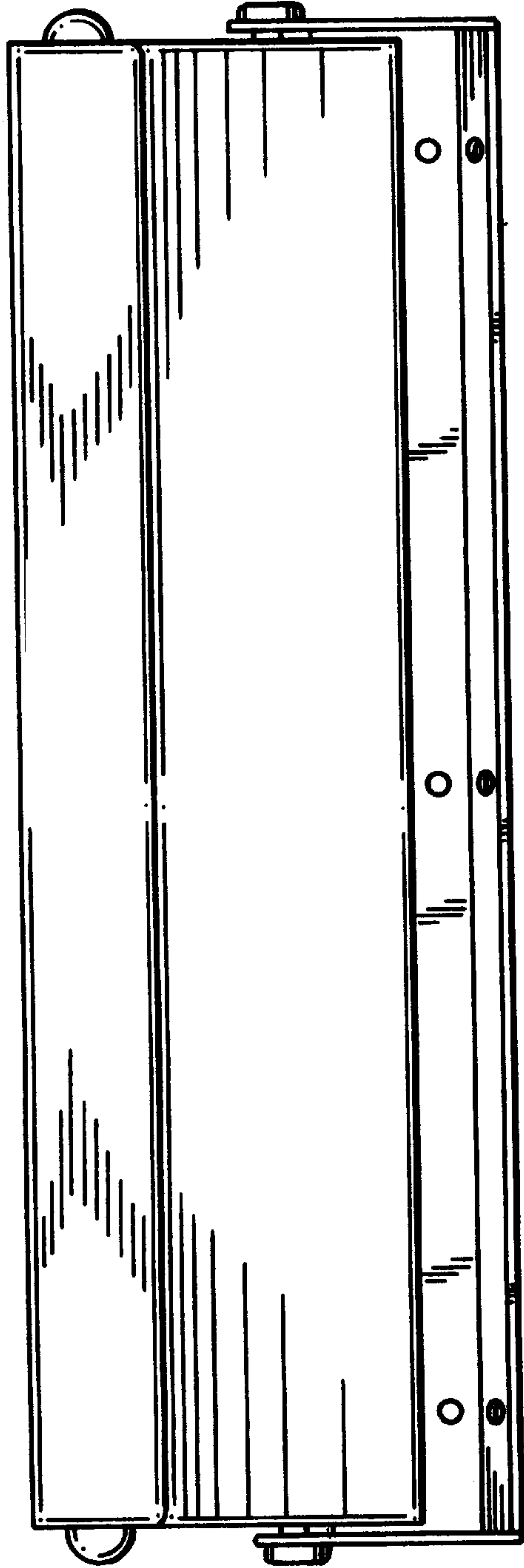


FIG. 2

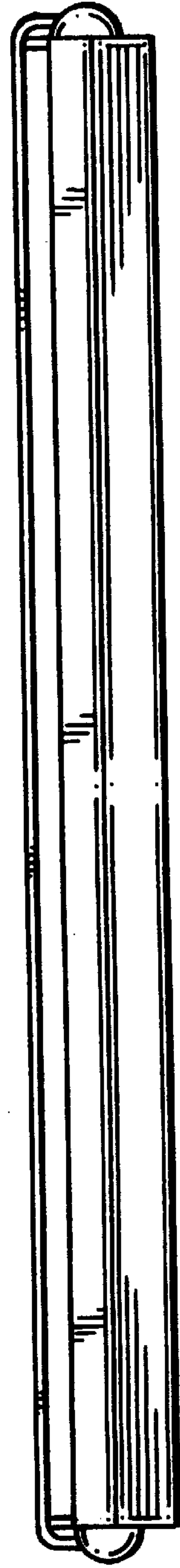


FIG. 4

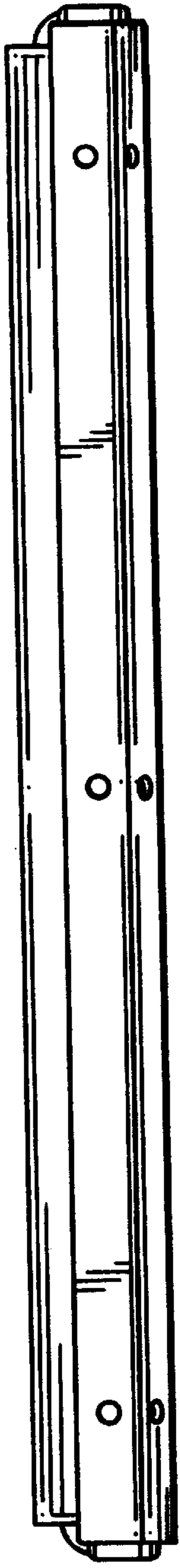


FIG. 5

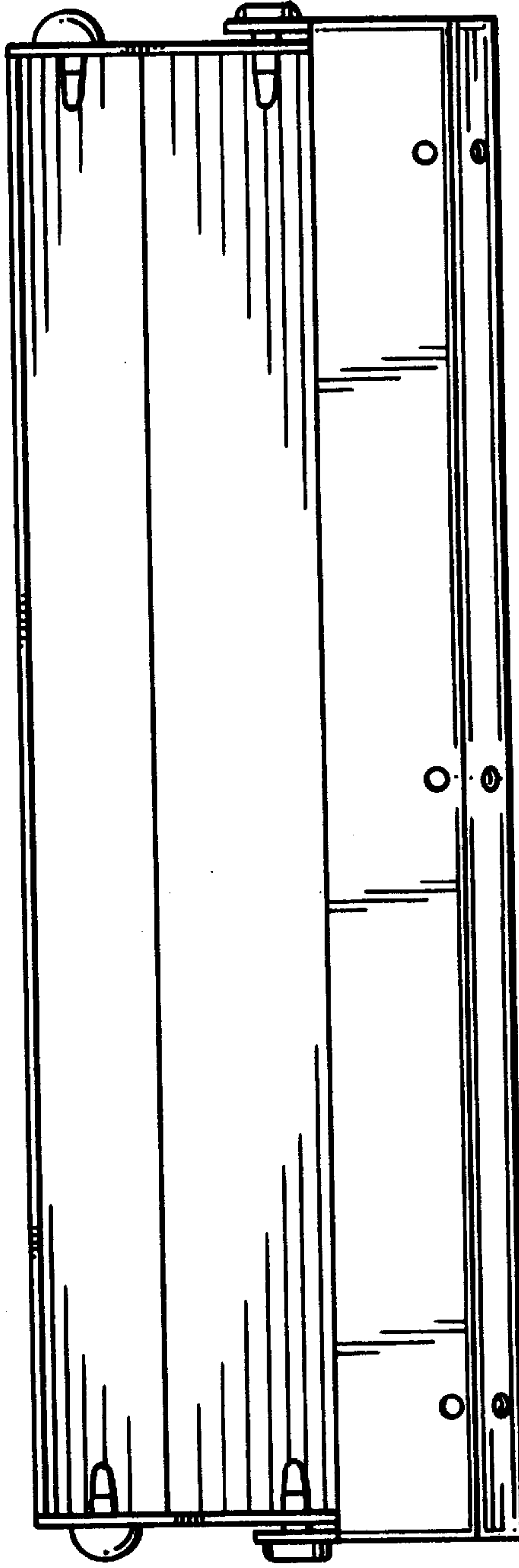


FIG. 6

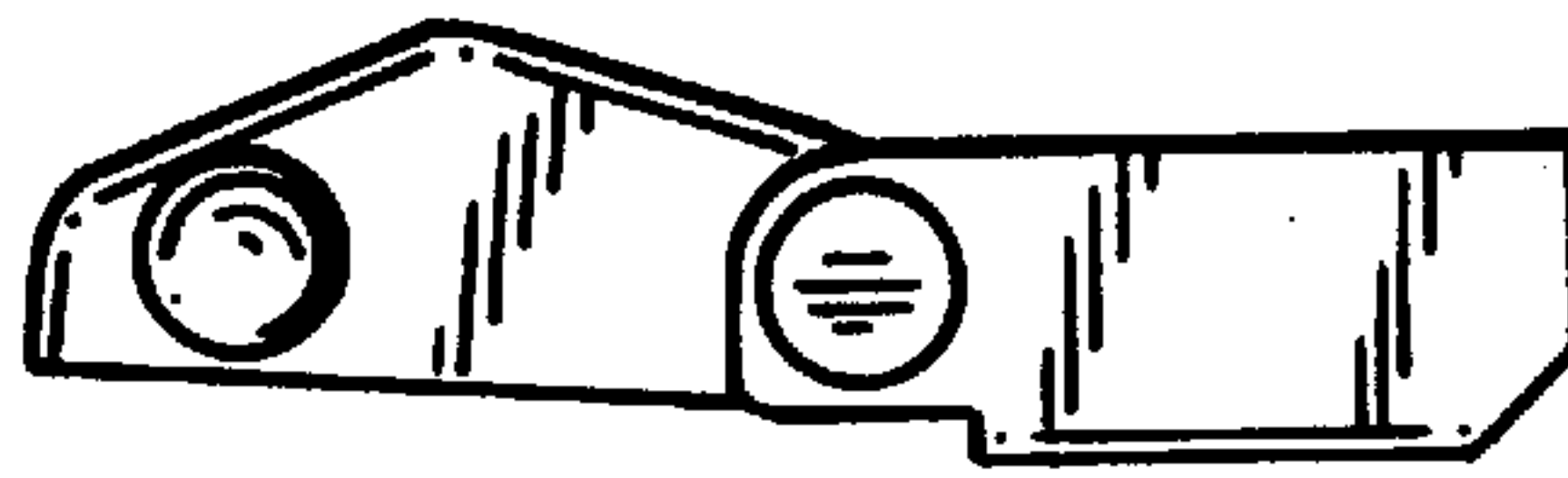


FIG. 7

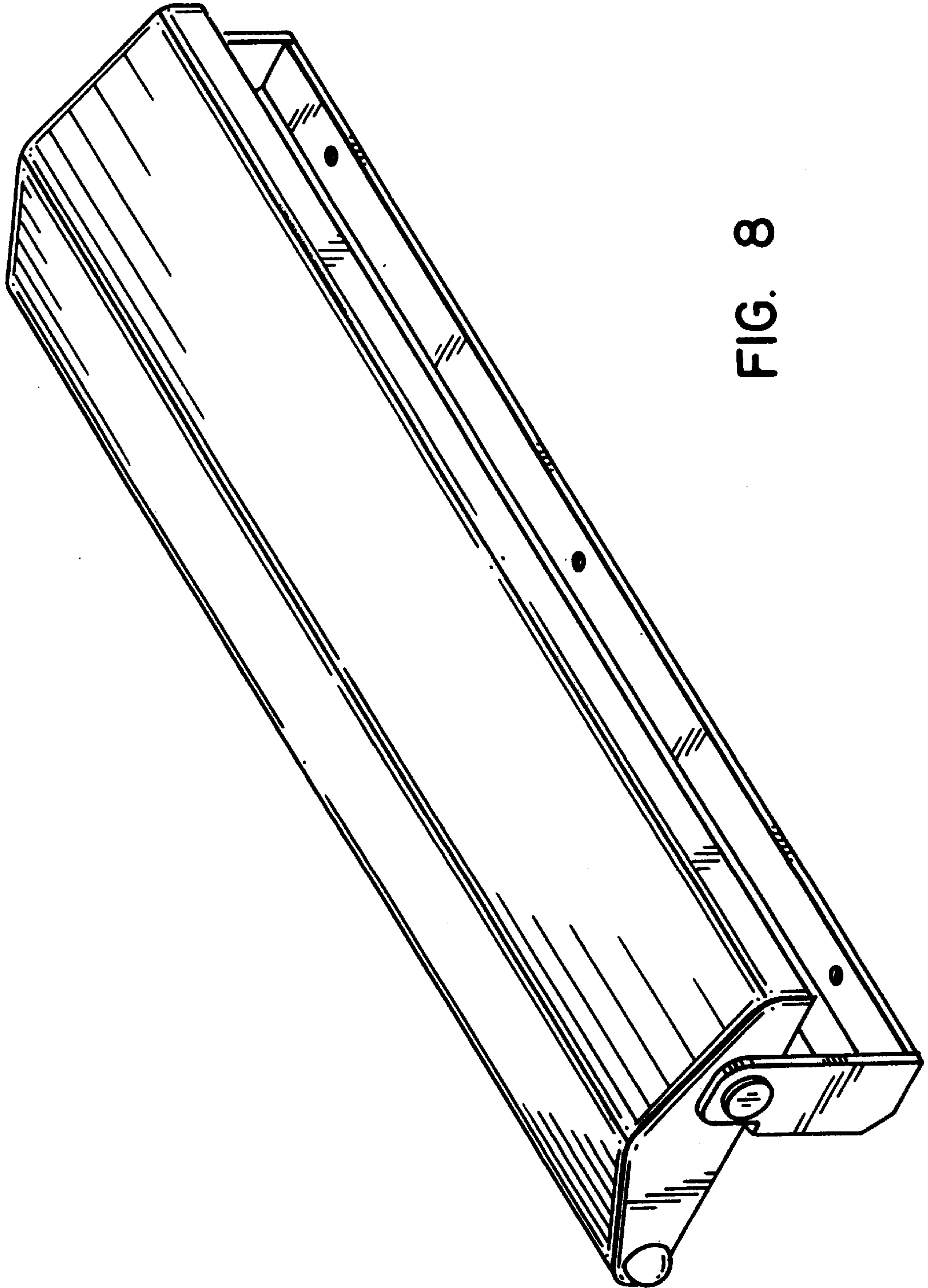


FIG. 8