



US00D419049S

United States Patent [19]

Mollack

[11] Patent Number: Des. 419,049

[45] Date of Patent: ** Jan. 18, 2000

[54] DISPENSING JOINT KNIFE

[76] Inventor: **Jean C Mollack**, 23 S. Poplar St.,
Allentown, Pa. 18102

[**] Term: **14 Years**

[21] Appl. No.: **29/096,624**

[22] Filed: **Nov. 17, 1998**

[51] LOC (7) Cl. **08-05**

[52] U.S. Cl. **D8/105**; D8/45

[58] Field of Search D8/105, 45, 14.1;
7/105, 158, 165; 118/413, 415; 30/169;
156/579

2,800,672 7/1957 Gilyan 7/105 X
 3,562,826 2/1971 Vaughn 7/105
 3,774,252 11/1973 Cantales 7/158 X
 4,367,692 1/1983 Underwood et al. 118/415
 4,757,783 7/1988 Matheny 118/413
 5,063,627 11/1991 Marra 7/105
 5,720,063 2/1998 Chacon 7/105 X

Primary Examiner—Jeffrey Asch

[57] CLAIM

The ornamental design for a dispensing joint knife, as shown.

DESCRIPTION

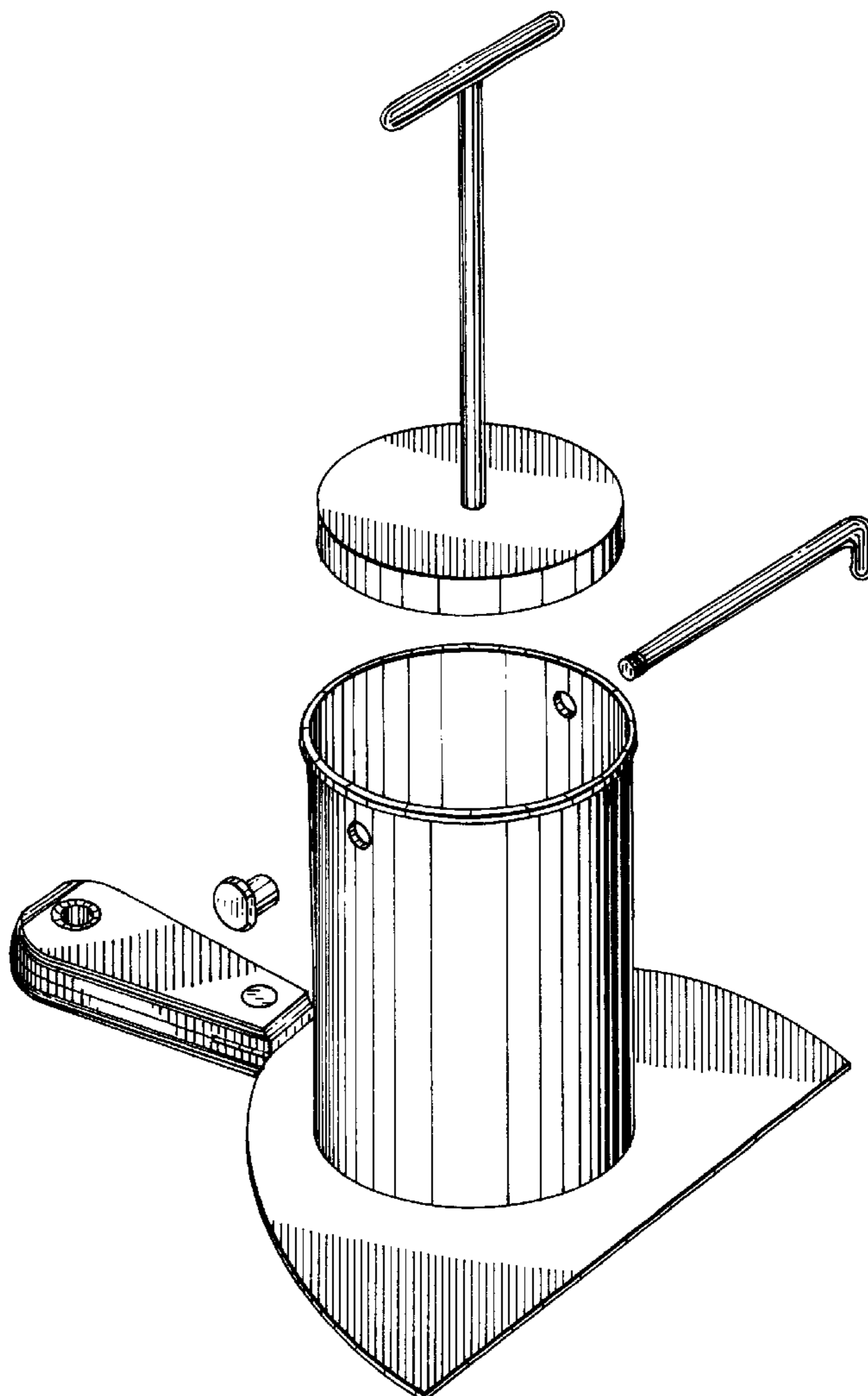
FIG. 1 is a perspective view of a dispensing joint tool showing my new design;
 FIG. 2 is a top view thereof;
 FIG. 3 is a front elevation view thereof;
 FIG. 4 is a right side view thereof;
 FIG. 5 is a left side view thereof;
 FIG. 6 is a bottom view thereof; and,
 FIG. 7 is a rear elevation view thereof.

1 Claim, 3 Drawing Sheets

[56] **References Cited**

U.S. PATENT DOCUMENTS

D. 56,574 11/1920 Waters 30/169 X
 D. 279,514 7/1985 Grunz D8/105 X
 D. 289,881 5/1987 Krumm D8/14.1
 D. 333,955 3/1993 Hatgas et al. D8/14.1
 D. 375,030 10/1996 Nagy-Bozsoky D8/45



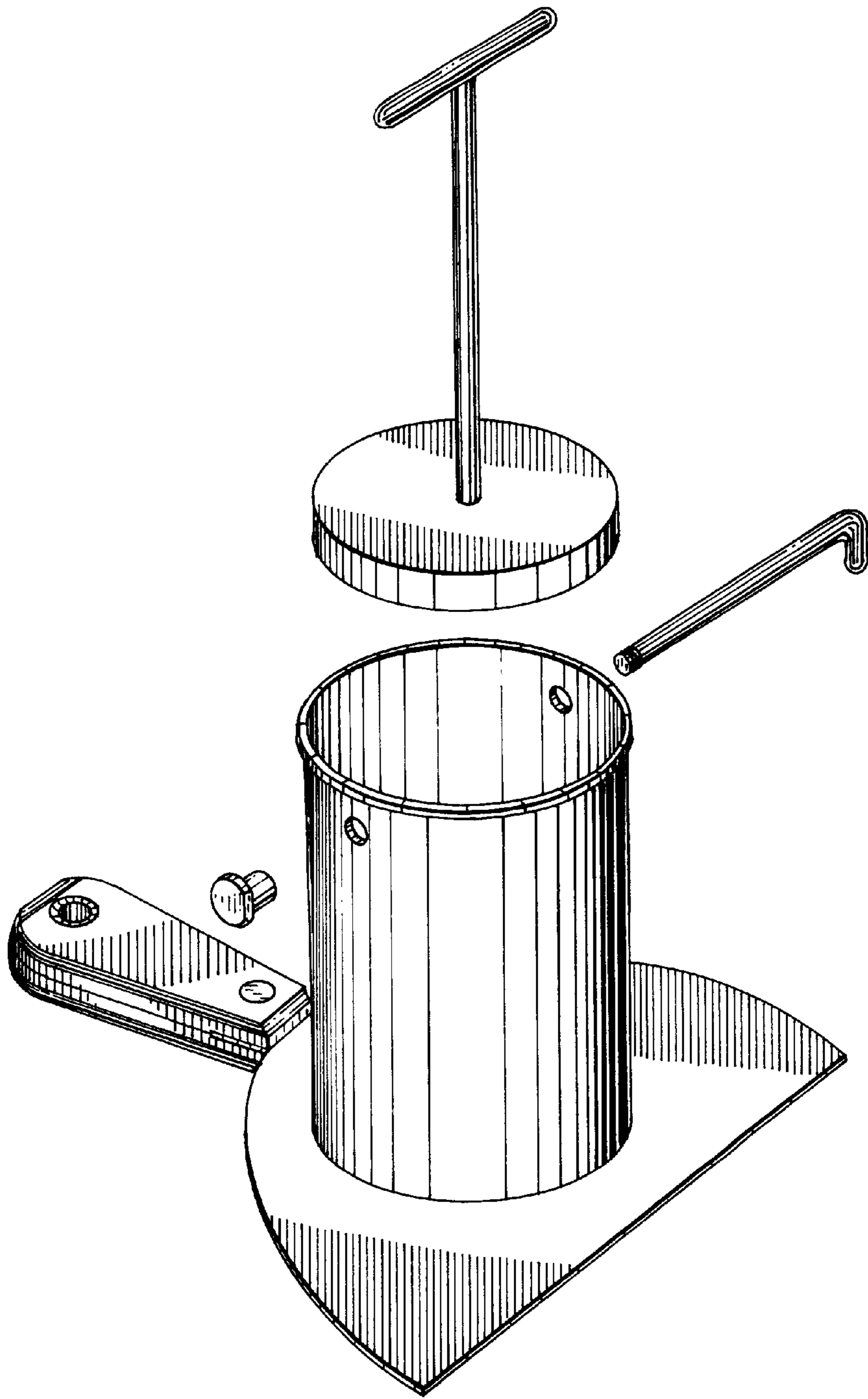


Fig. 1.

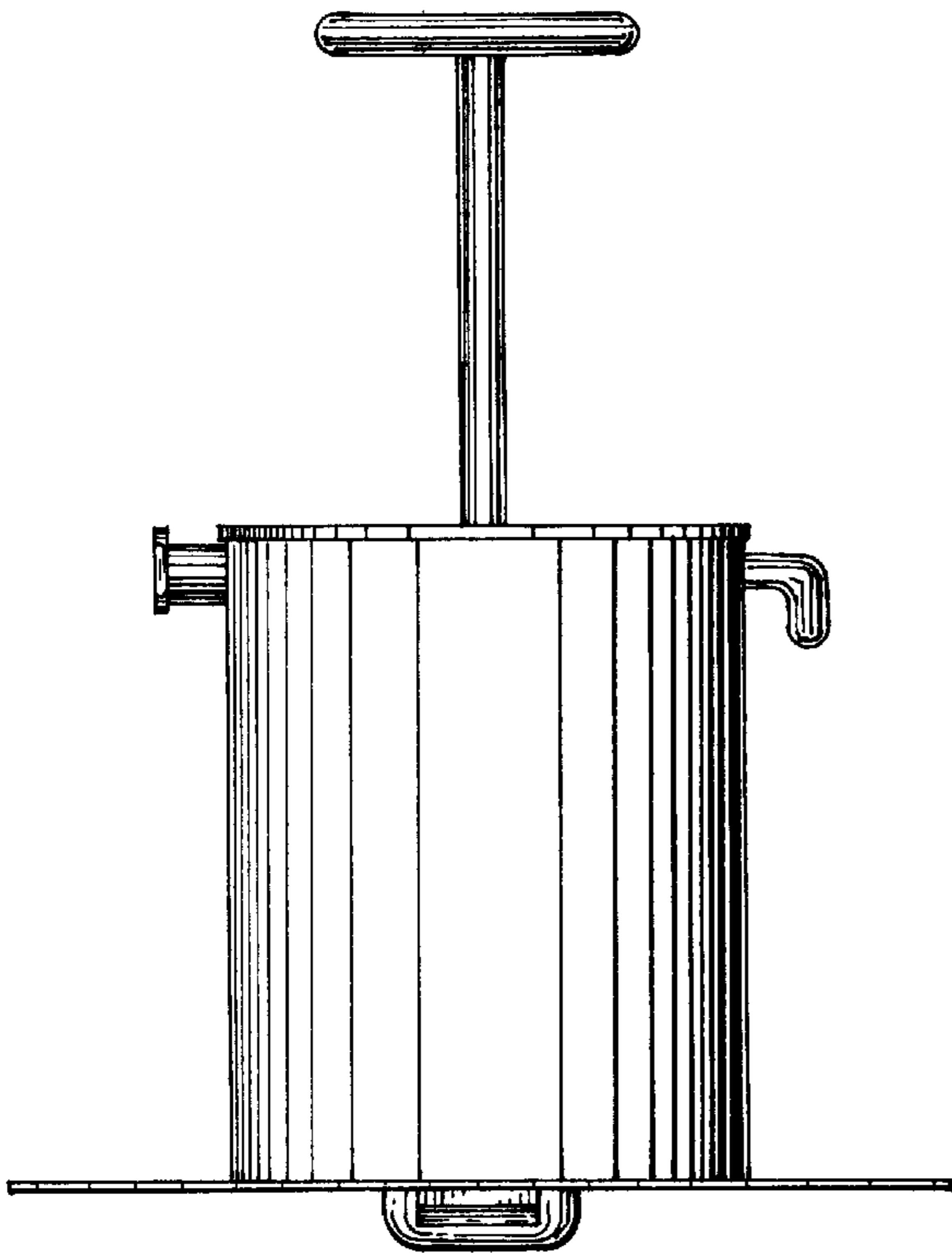
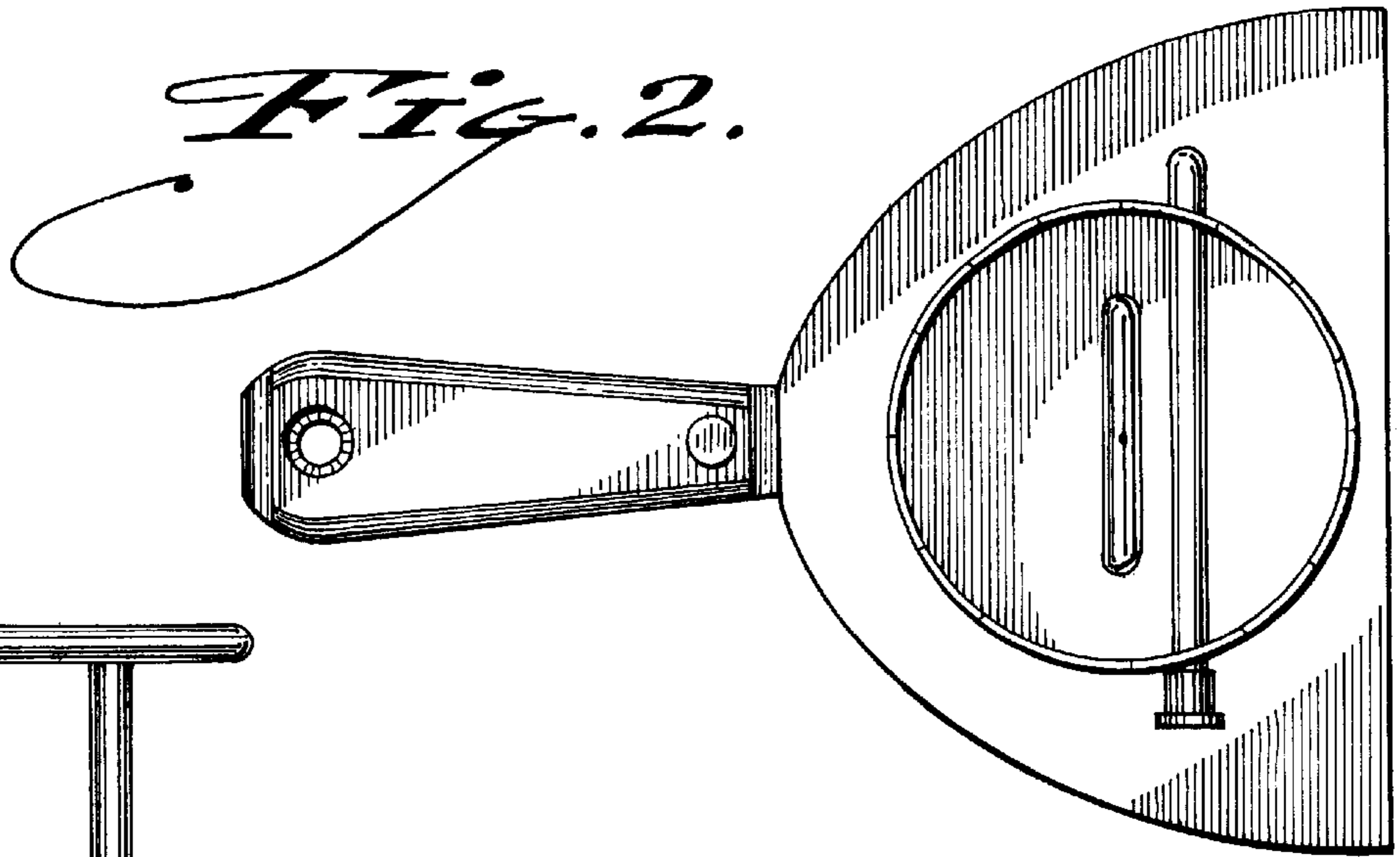


Fig. 3.

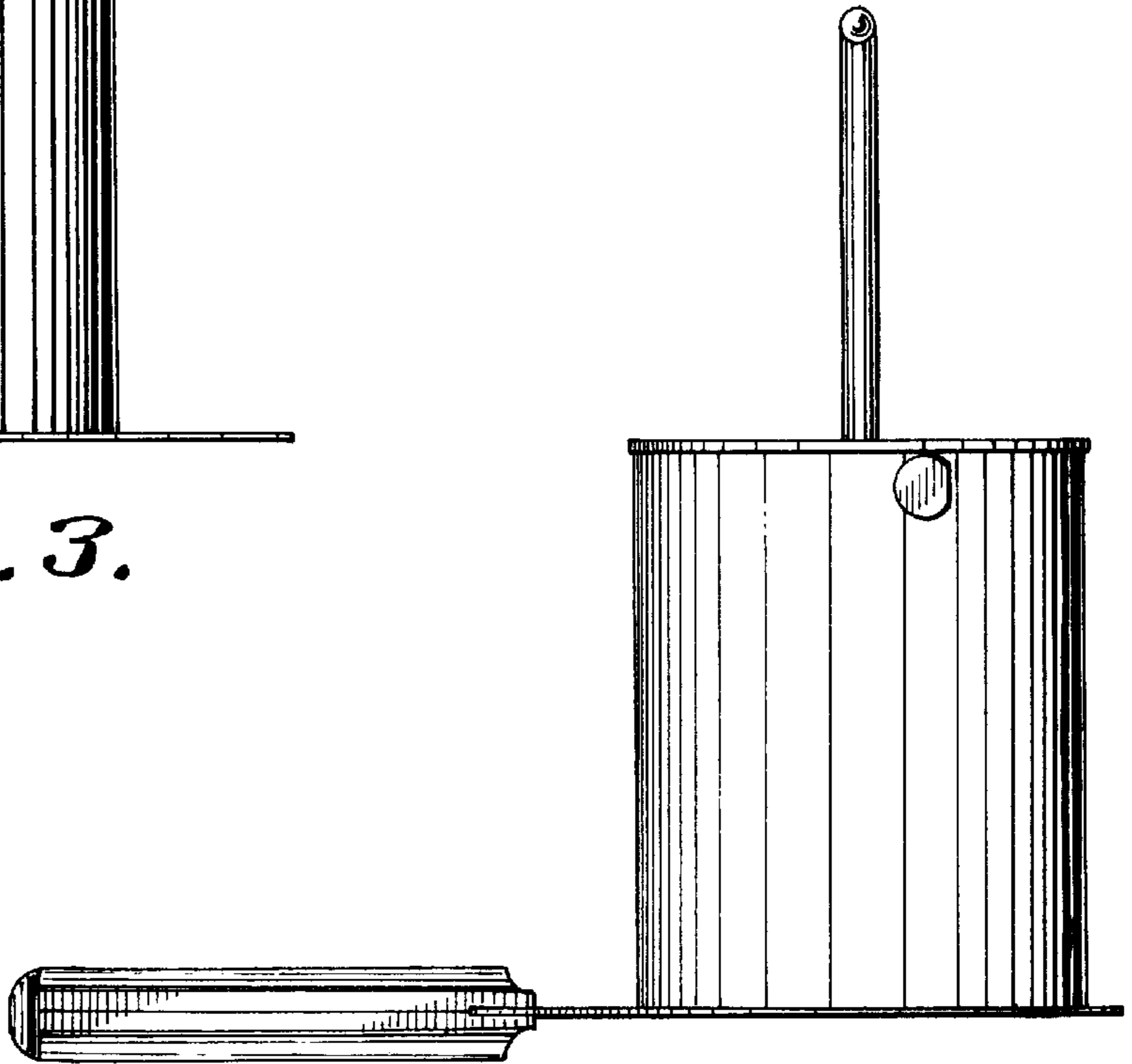


Fig. 4.

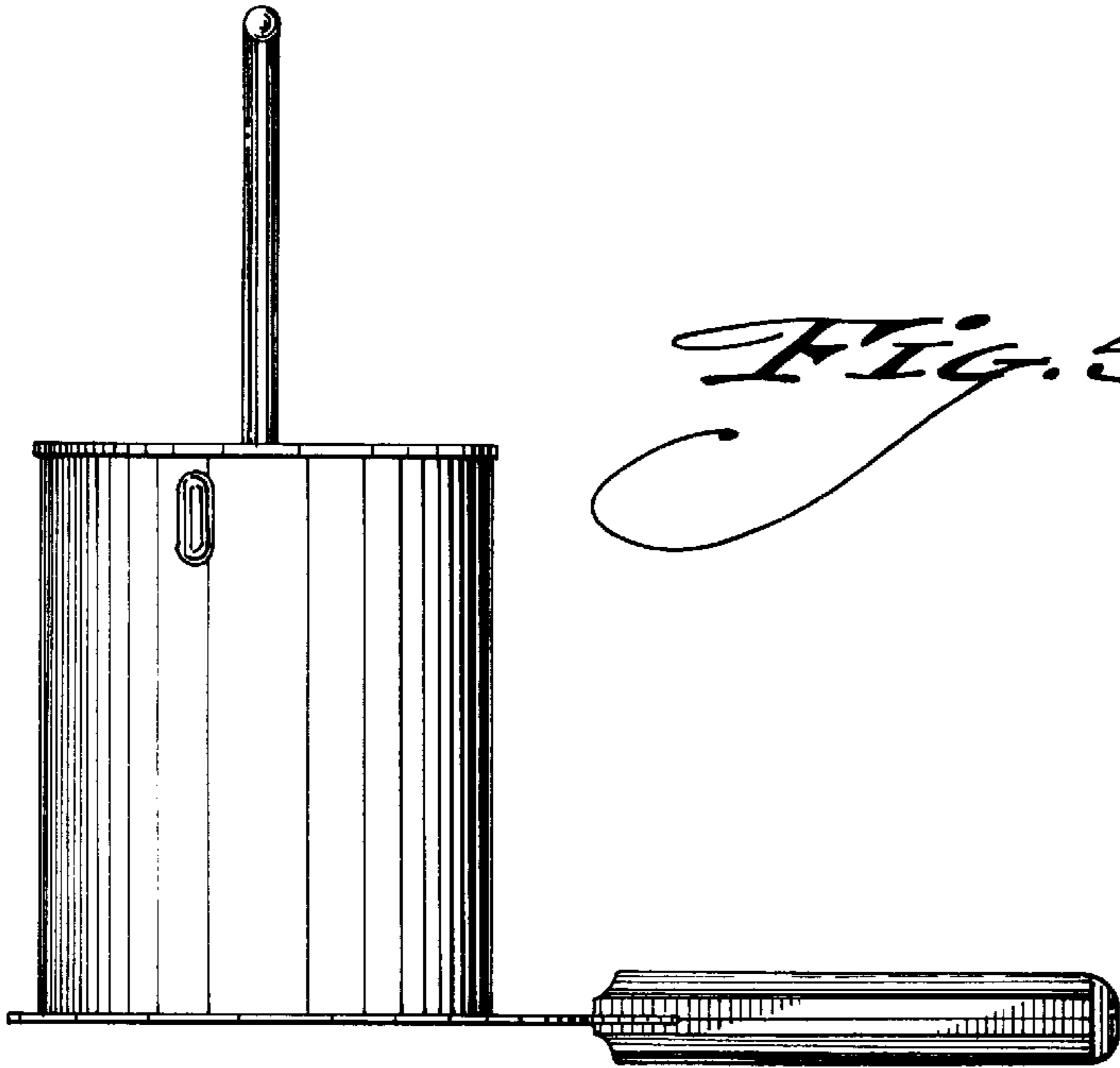


FIG. 5.

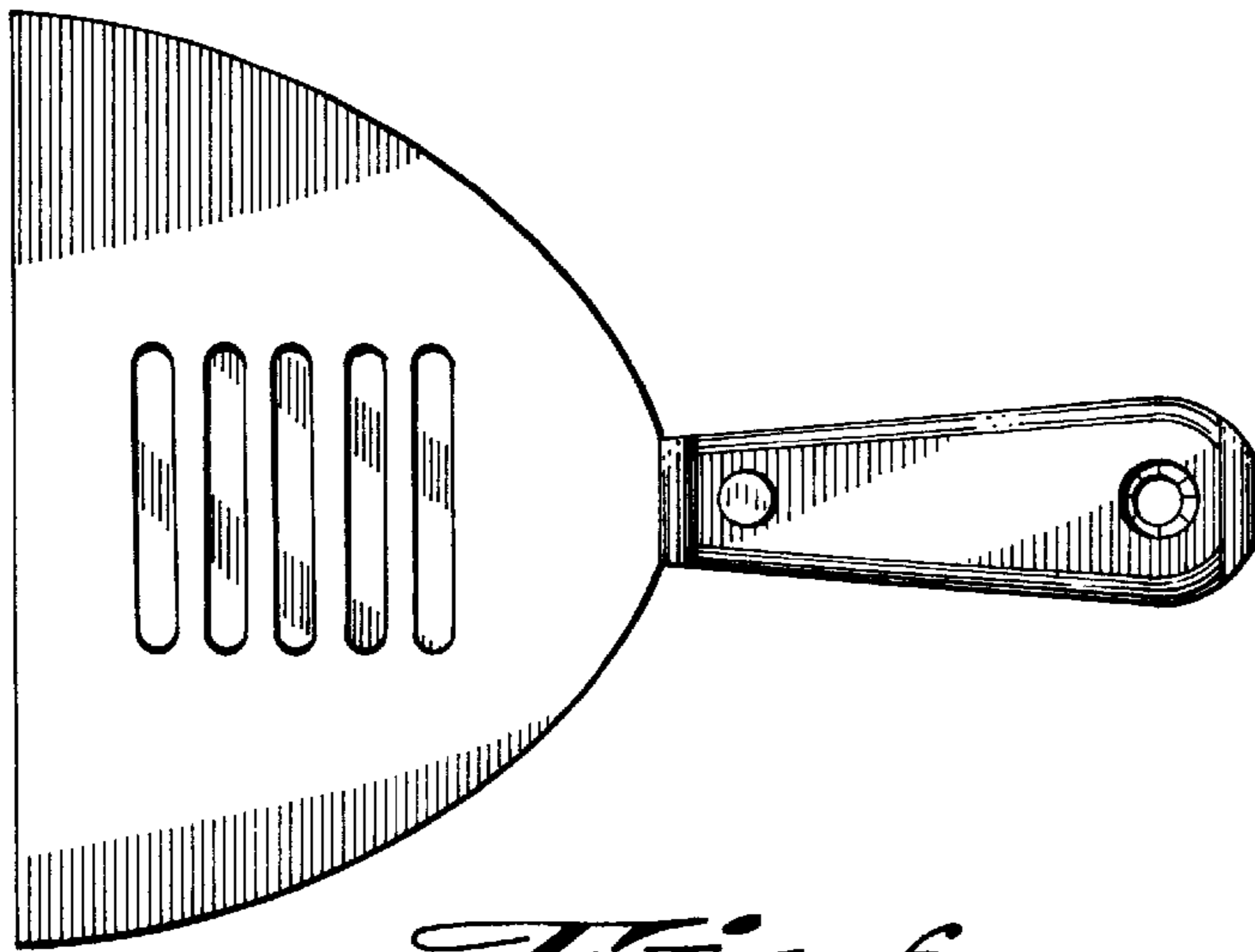


FIG. 6.

FIG. 7.

