



US00D419048S

# United States Patent [19]

Batts, Jr. et al.

[11] Patent Number: Des. 419,048

[45] Date of Patent: \*\* Jan. 18, 2000

[54] PNEUMATIC NAILER

4,346,831 8/1982 Haytayan ..... 227/8

[75] Inventors: **Namon B. Batts, Jr.**, Hampstead;  
**Randy M. Brown**, Wilmington, both of  
N.C.

*Primary Examiner*—Nelson C. Holtje  
*Attorney, Agent, or Firm*—Dougherty & Associates

[73] Assignee: **Porta-Nails, Inc.**, Wilmington, N.C.

[57] **CLAIM**

[\*\*] Term: **14 Years**

The ornamental design for a pneumatic nailer, or the like, as shown and described.

[21] Appl. No.: **29/100,135**

**DESCRIPTION**

[22] Filed: **Feb. 5, 1999**

FIG. 1 is a perspective view of the invented pneumatic nailer or the like, showing our new design;

[51] **LOC (7) Cl.** ..... **08-05**

FIG. 2 is a top view thereof;

[52] **U.S. Cl.** ..... **D8/68; D8/61**

FIG. 3 is a right side view thereof;

[58] **Field of Search** ..... **D8/61, 68-70;**

FIG. 4 is a bottom view thereof;

227/8, 147, 156, 130, 120

FIG. 5 is a front view thereof;

FIG. 6 is a left side view thereof; and,

FIG. 7 is a rear view thereof.

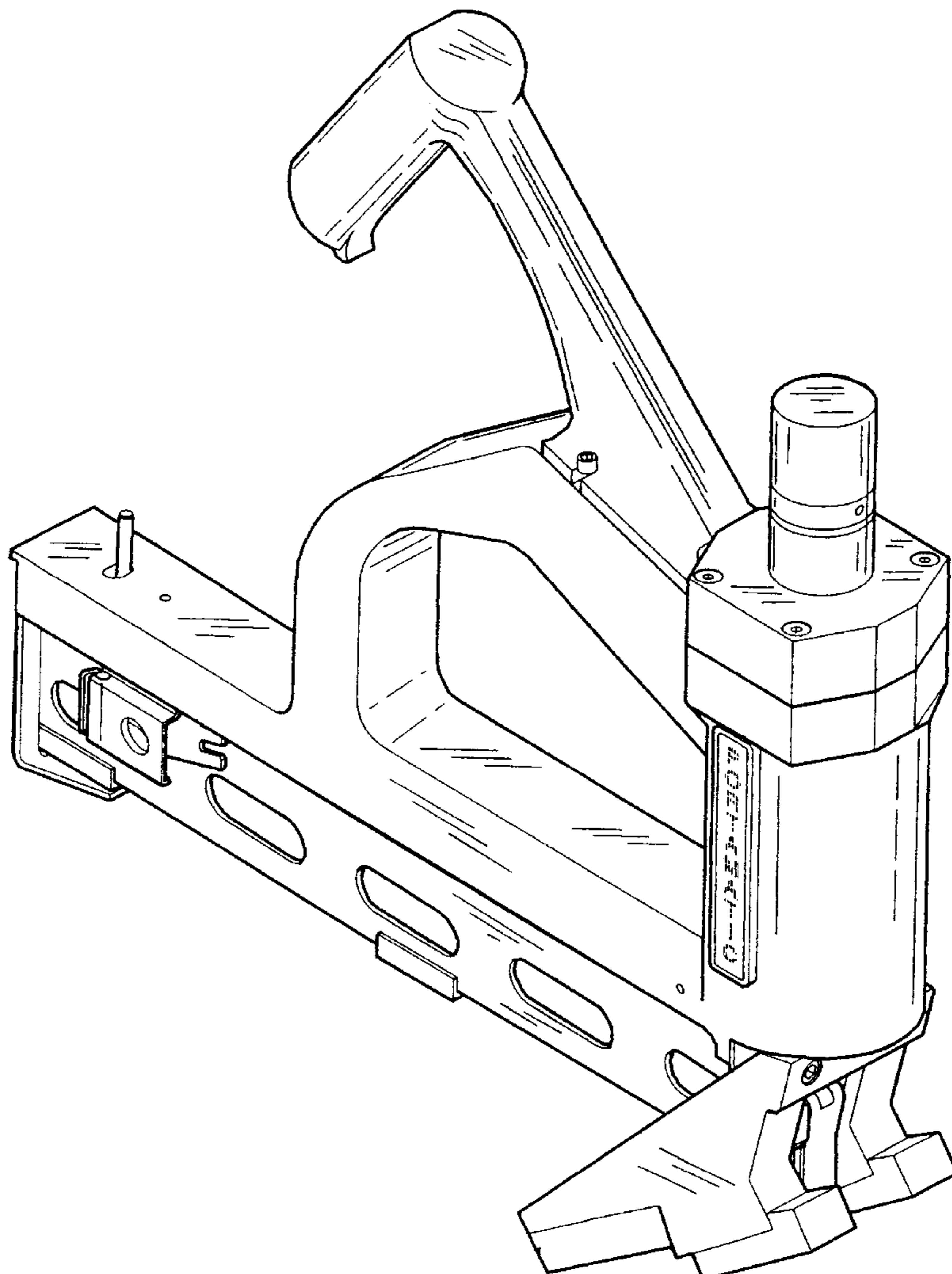
[56] **References Cited**

The broken line showing of a nameplate in FIG. 1 is for illustrative purposes only and forms no part of the claimed design.

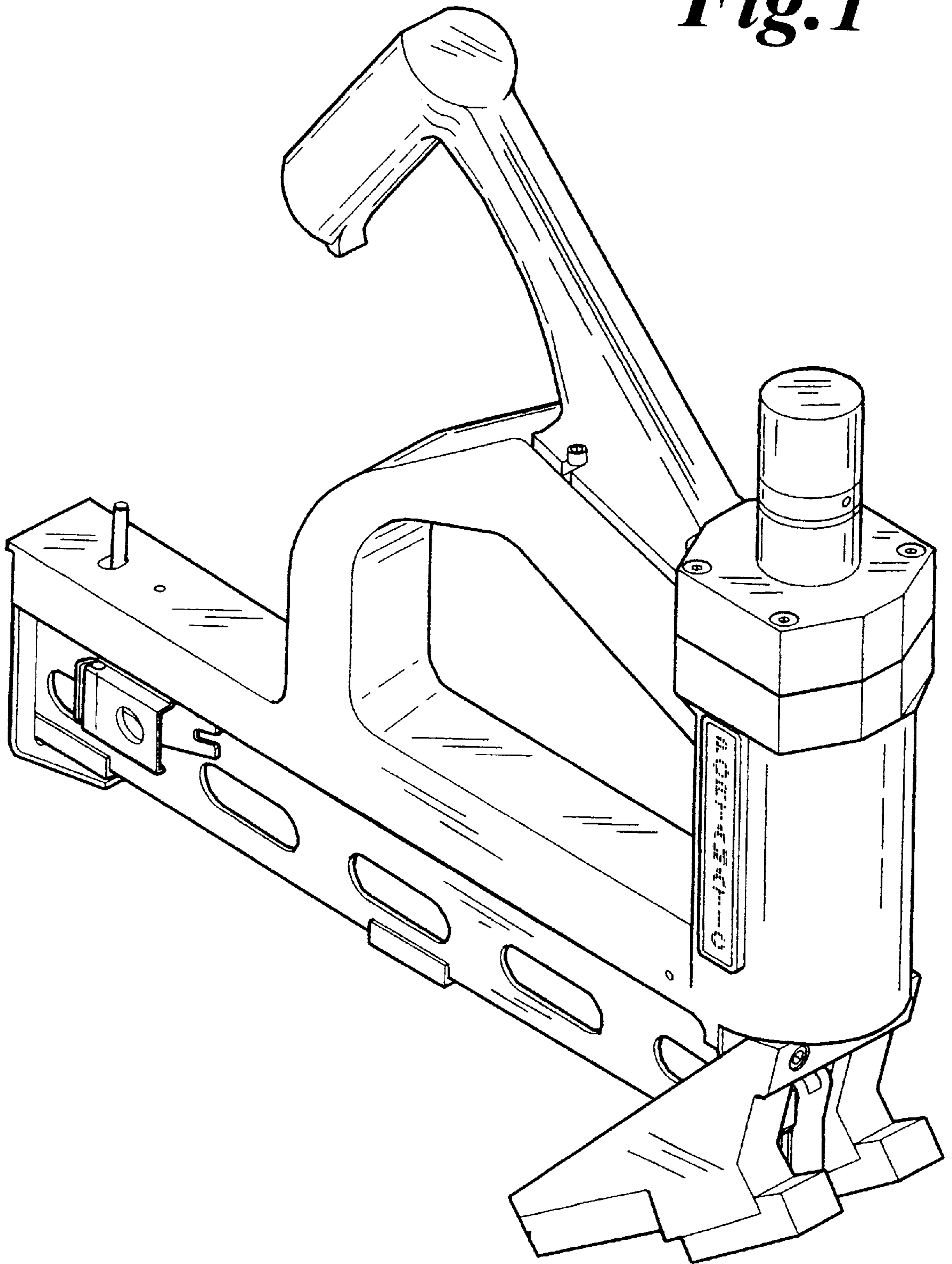
**U.S. PATENT DOCUMENTS**

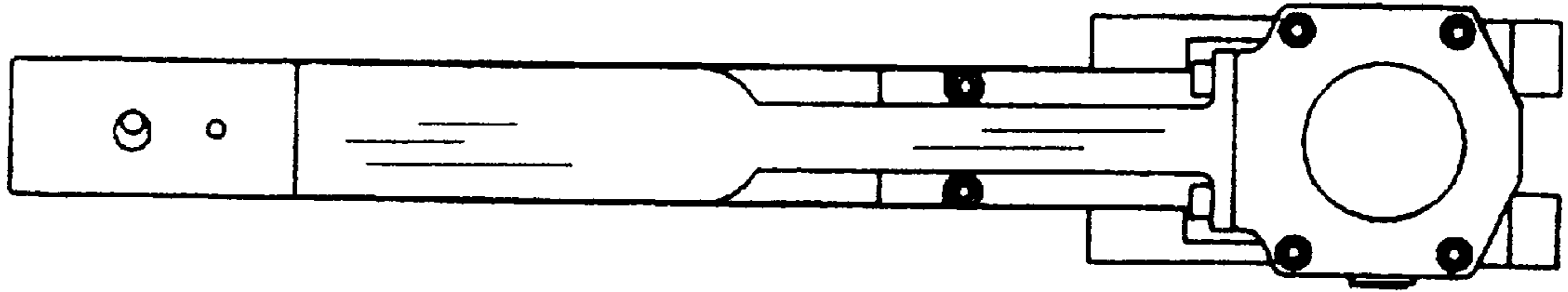
- 2,822,544 2/1958 Anstett .
- 3,281,046 10/1966 Boulay .
- 3,542,273 11/1970 Hedrick ..... 227/130

**1 Claim, 3 Drawing Sheets**

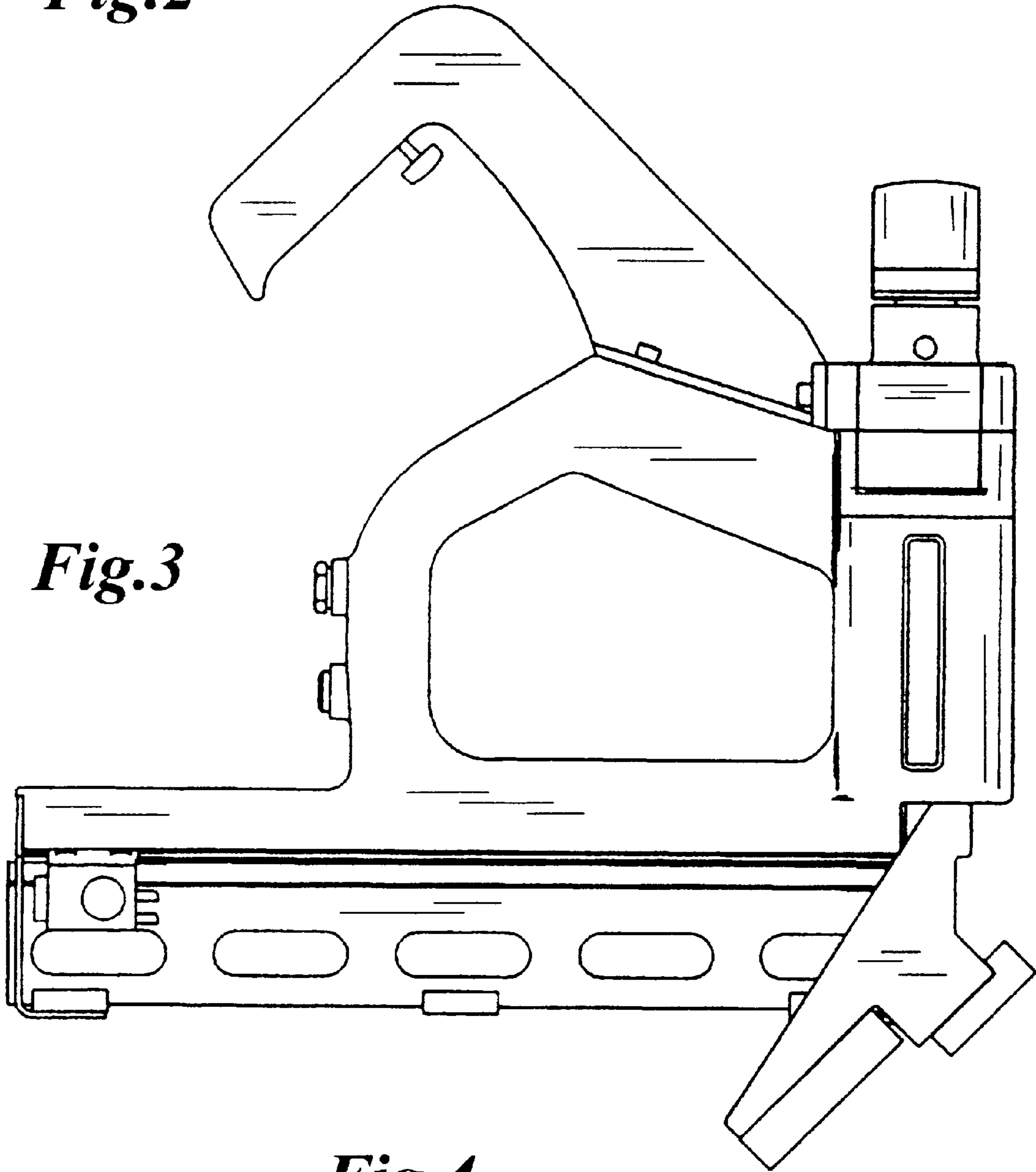


*Fig. 1*

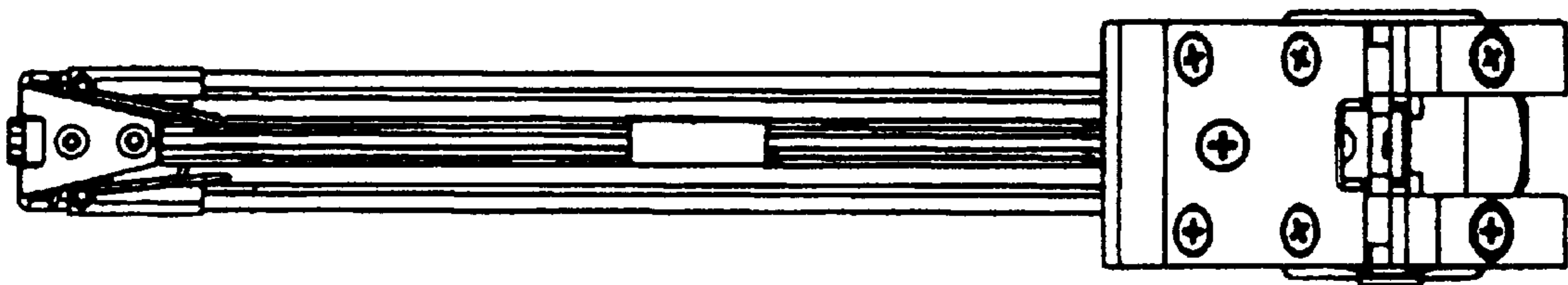




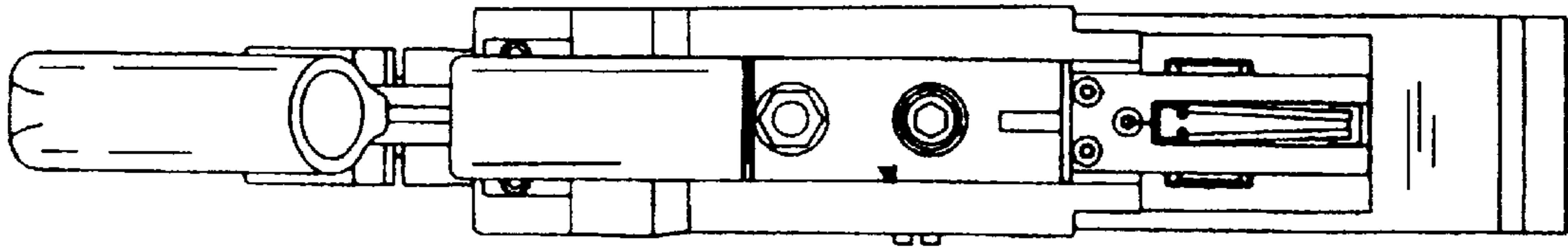
*Fig. 2*



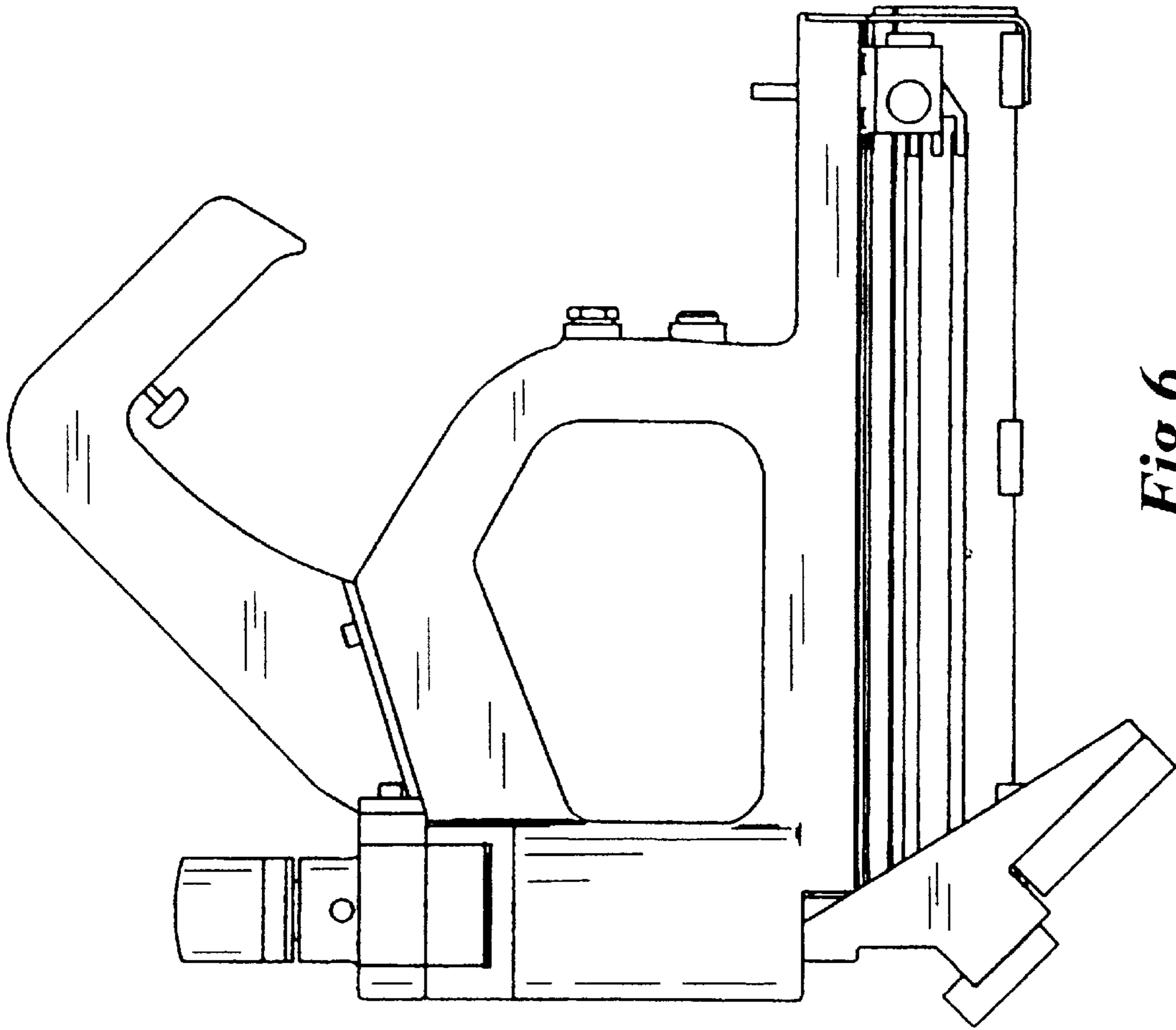
*Fig. 3*



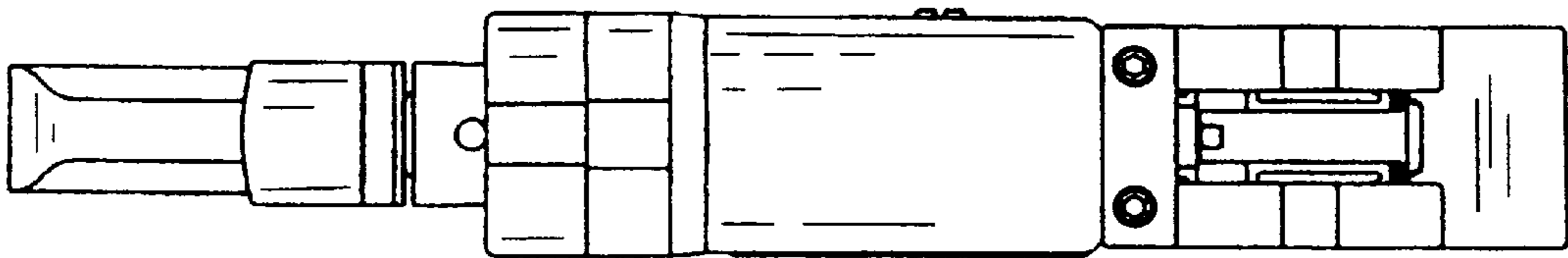
*Fig. 4*



*Fig. 7*



*Fig. 6*



*Fig. 5*