



US00D419046S

**United States Patent** [19]  
**Hunter**

[11] **Patent Number: Des. 419,046**  
[45] **Date of Patent: \*\* Jan. 18, 2000**

[54] **AUTOMOTIVE TRIM PANEL CLIP  
REMOVING TOOL**

*Attorney, Agent, or Firm—Basil Travis*

[76] Inventor: **Theodore K. Hunter**, 501 Riverside  
Ave., Paso Robles, Calif. 93446

[57] **CLAIM**

The ornamental design for an automotive trim panel clip removing tool, as shown and described.

[\*\*] Term: **14 Years**

**DESCRIPTION**

[21] Appl. No.: **29/093,516**

FIG. 1 is a front, top and side perspective view of an automotive trim panel clip removing tool showing my new design;

[22] Filed: **Sep. 11, 1998**

FIG. 2 is a front elevational view;

[51] **LOC (7) Cl.** ..... **08-05**

FIG. 3 is a side elevational view, the opposite side being a mirror image thereof;

[52] **U.S. Cl.** ..... **D8/51**

FIG. 4 is a top plan view thereof;

[58] **Field of Search** ..... D8/14, 51, 88;  
81/3.7, 485, 488; 254/243, 245

FIG. 5 is a bottom plan view;

[56] **References Cited**

FIG. 6 is a rear elevational view; and,

**U.S. PATENT DOCUMENTS**

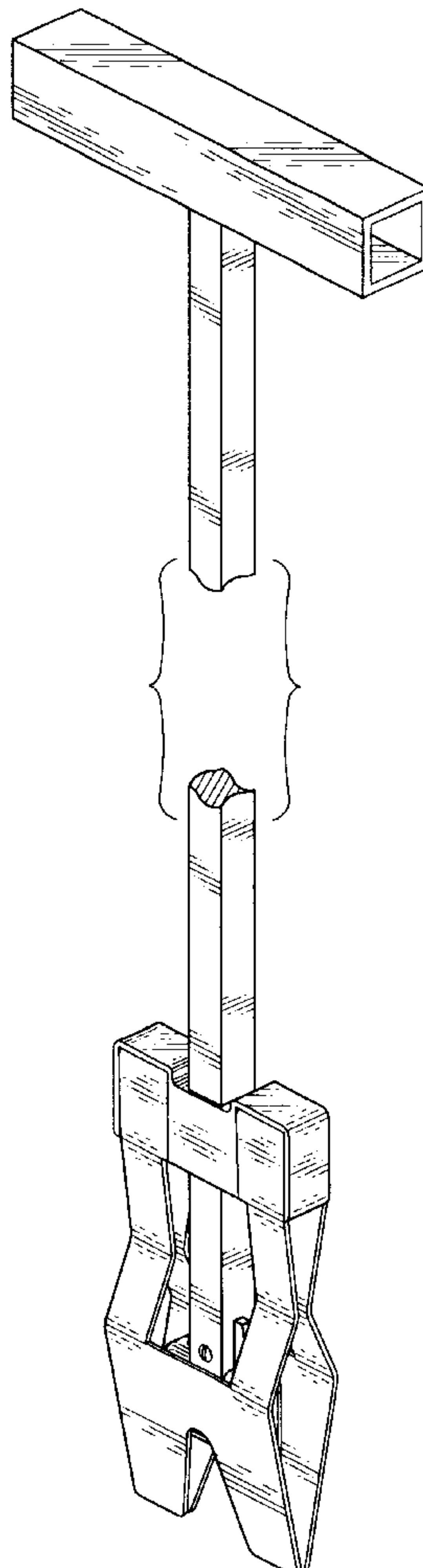
FIG. 7 is a side elevational view showing the tool in an open position.

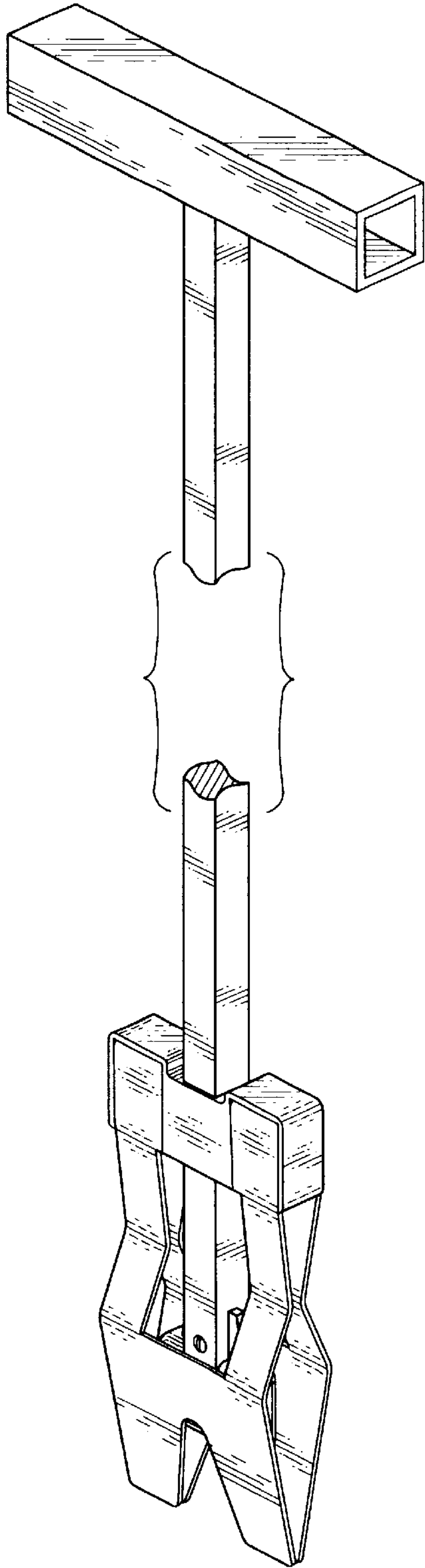
D. 327,206	6/1992	Johnson	.....	D8/14
D. 348,810	7/1994	Johnson	.....	D8/14
D. 404,985	2/1999	Fredrickson	.....	D8/14
2,518,106	8/1950	Williams	.....	81/485
3,727,490	4/1973	Diffenderfer et al.	.....	81/485

The automotive trim panel clip removing tool has been shown broken away in the middle in FIGS. 1-3, 6 and 7 to indicate indeterminate length.

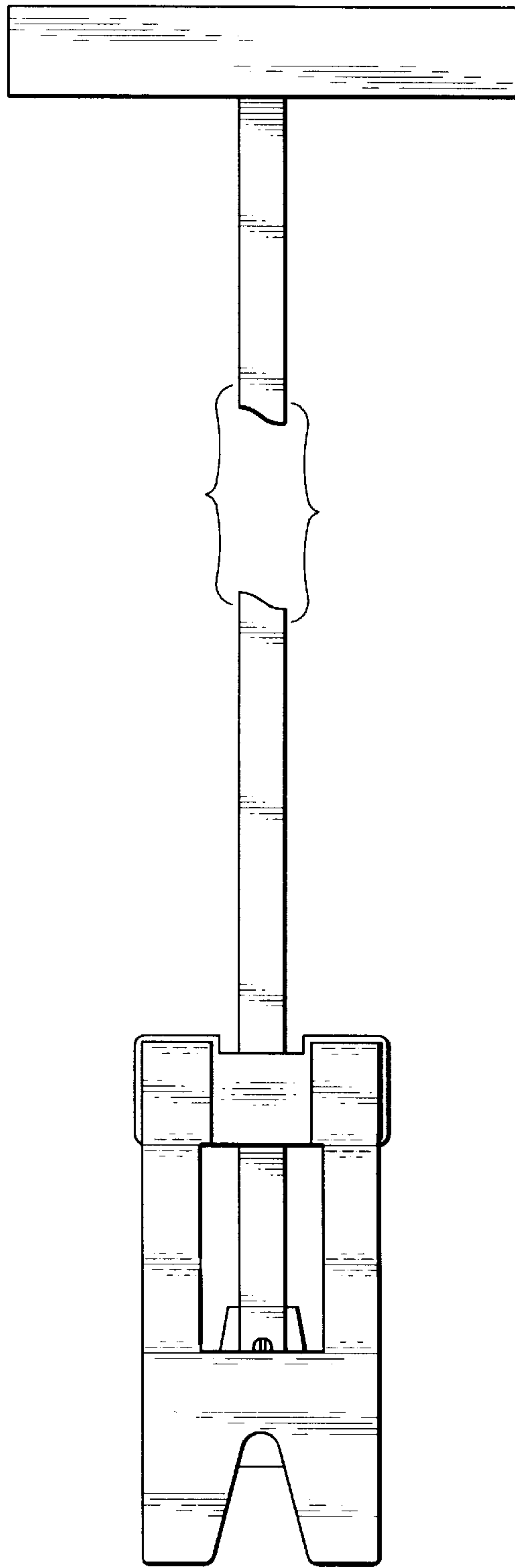
*Primary Examiner—Alan P. Douglas*  
*Assistant Examiner—Reid Hecker*

**1 Claim, 2 Drawing Sheets**





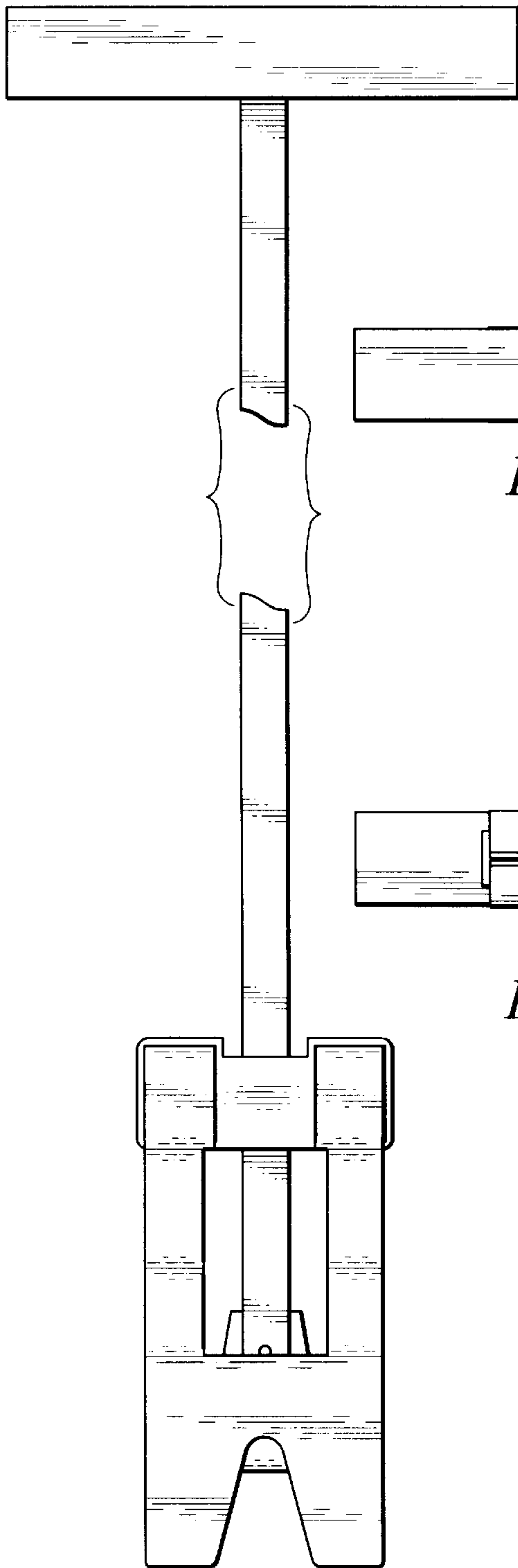
*Fig. 1*



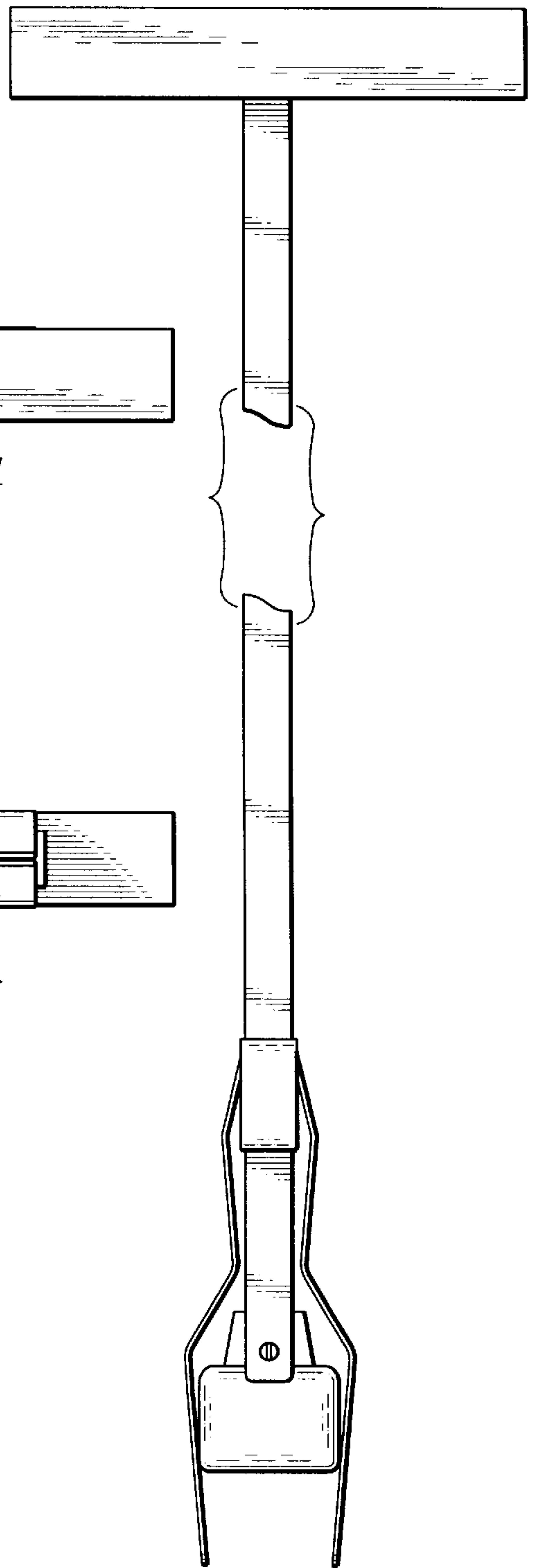
*Fig. 2*



*Fig. 3*



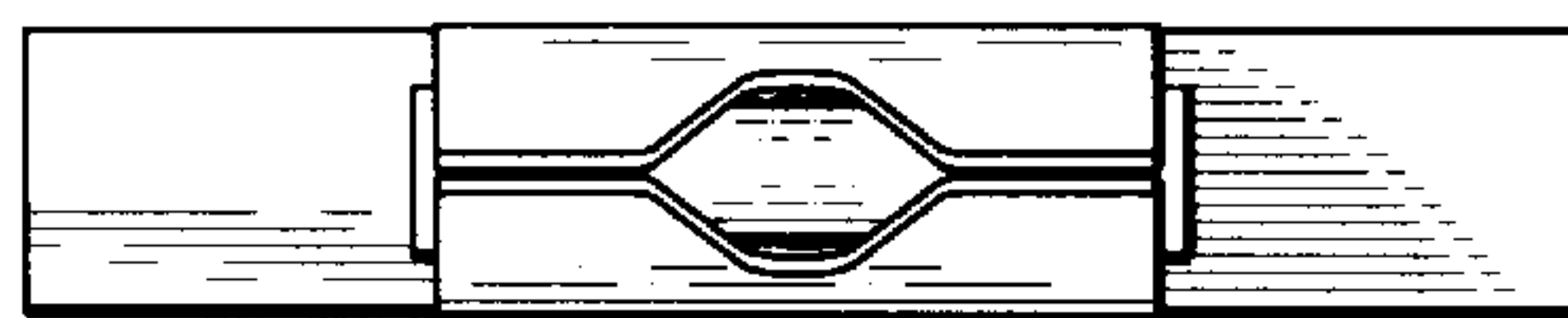
*Fig. 6*



*Fig. 7*



*Fig. 4*



*Fig. 5*