



US00D419045S

# United States Patent [19] Bolin

[11] **Patent Number: Des. 419,045**

[45] **Date of Patent: \*\* Jan. 18, 2000**

[54] **SLIDING CLUTCH TOOL**

[76] Inventor: **Loyd Bolin**, 8714 E. 43rd St., Tulsa, Okla. 74145

[\*\*] Term: **14 Years**

[21] Appl. No.: **29/091,484**

[22] Filed: **Jul. 30, 1998**

[51] **LOC (7) Cl. .... 08-05**

[52] **U.S. Cl. .... D8/51**

[58] **Field of Search .... D8/14, 51; 29/270, 29/274**

D. 265,377	7/1982	Koskinen .....	D8/14
D. 398,822	9/1998	Webb .....	D8/14
2,044,067	6/1936	Eldridge et al. ....	29/274
4,564,994	1/1986	Marx .....	29/274

*Primary Examiner*—Alan P. Douglas  
*Assistant Examiner*—Reid Hecker

[57] **CLAIM**

The ornamental design for a sliding clutch tool, as shown.

**DESCRIPTION**

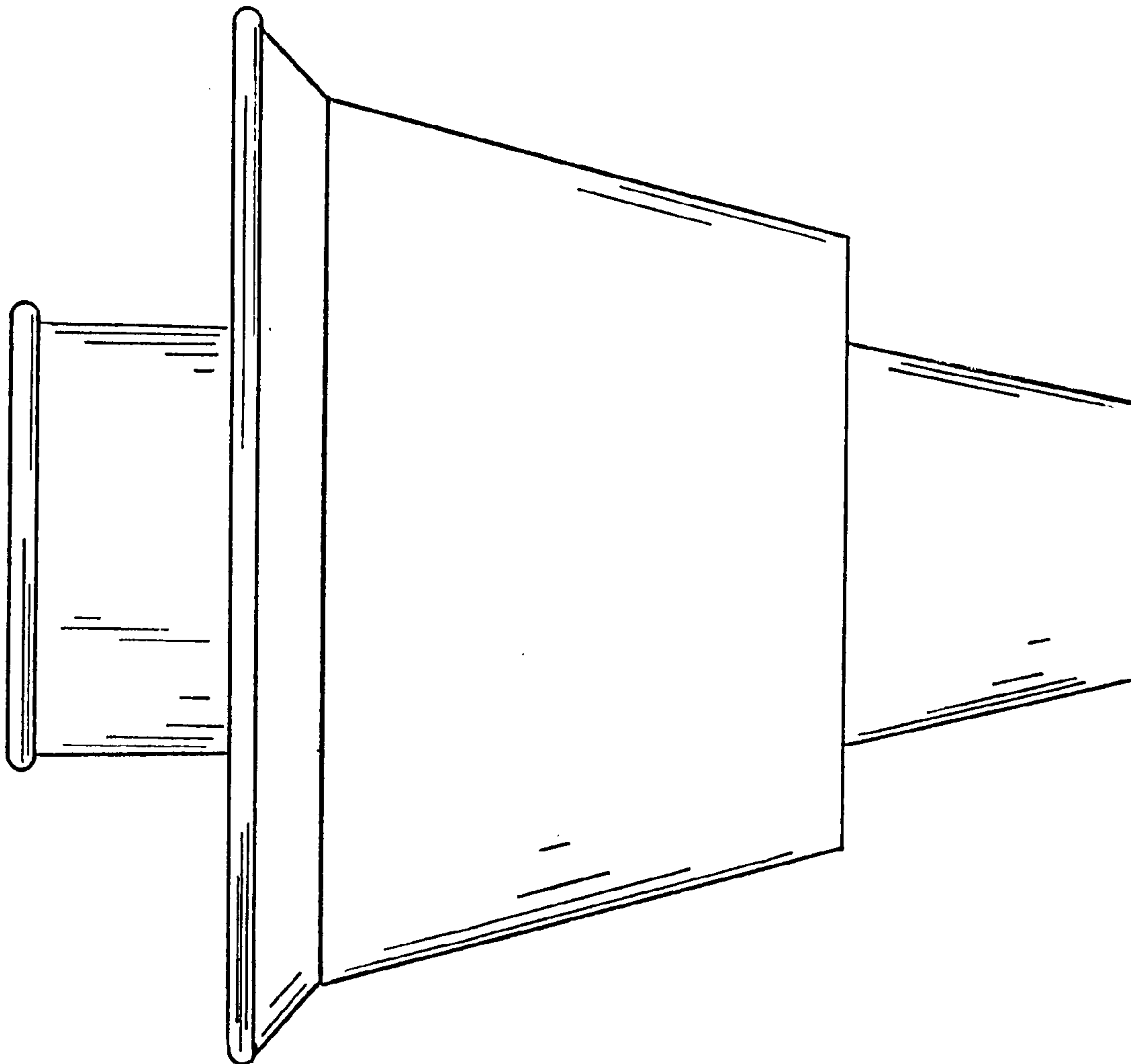
FIG. 1 is a front elevational view of a sliding clutch tool showing my new design;  
FIG. 2 is a left side elevational view thereof;  
FIG. 3 is a right side elevational view thereof; and,  
FIG. 4 is an exploded view thereof.

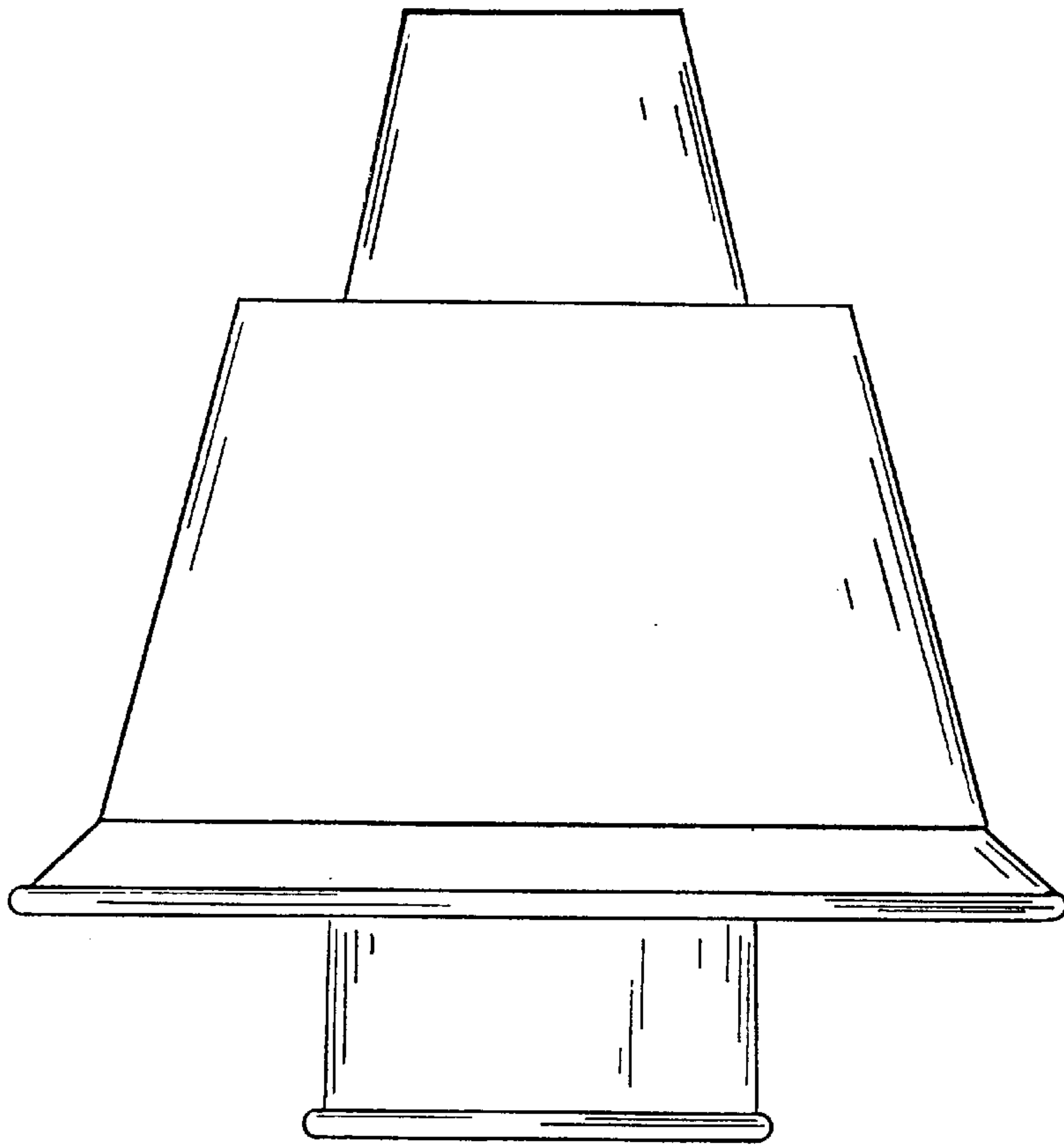
[56] **References Cited**

**U.S. PATENT DOCUMENTS**

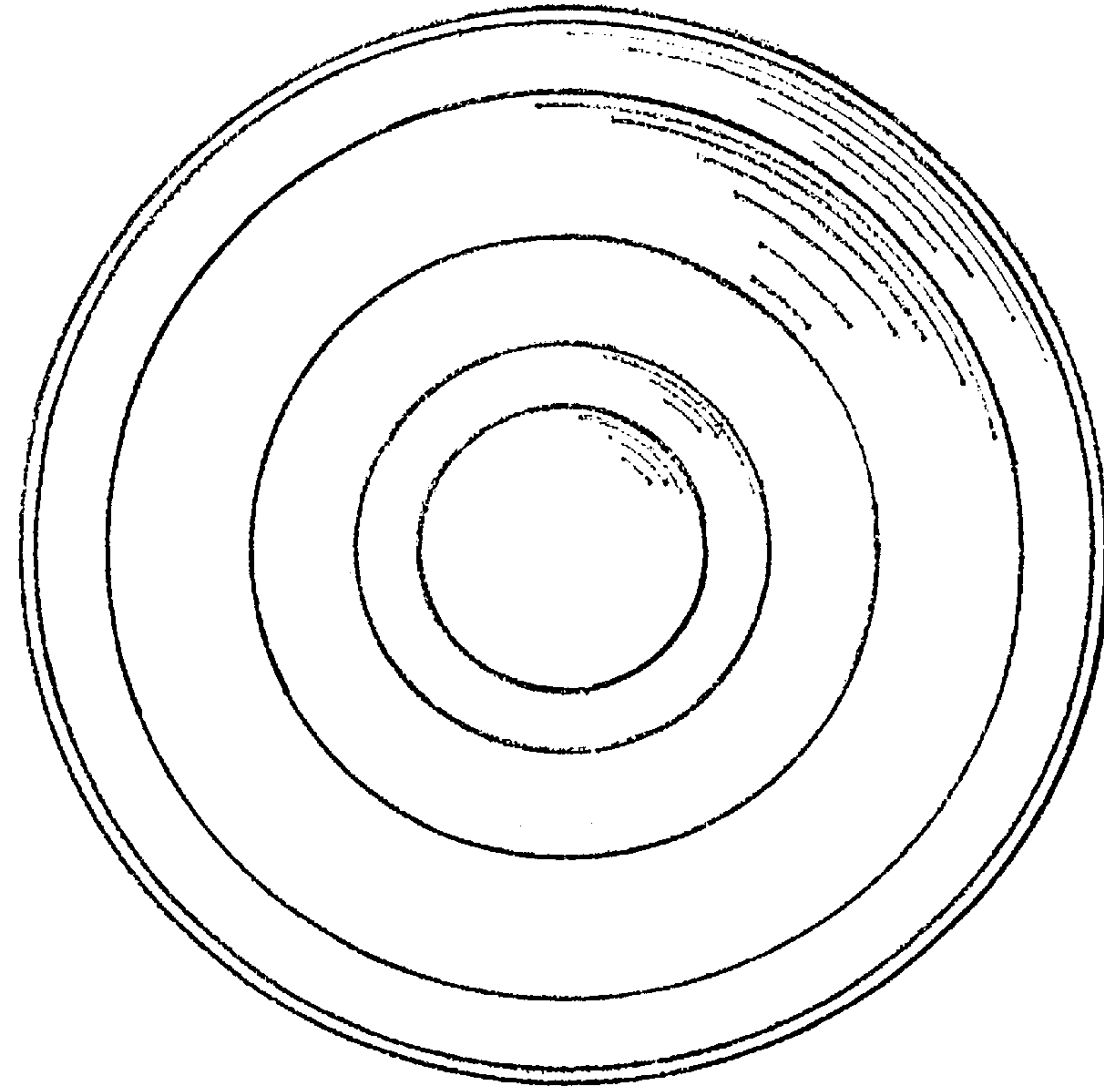
D. 26,638 2/1897 Meier .....

**1 Claim, 3 Drawing Sheets**

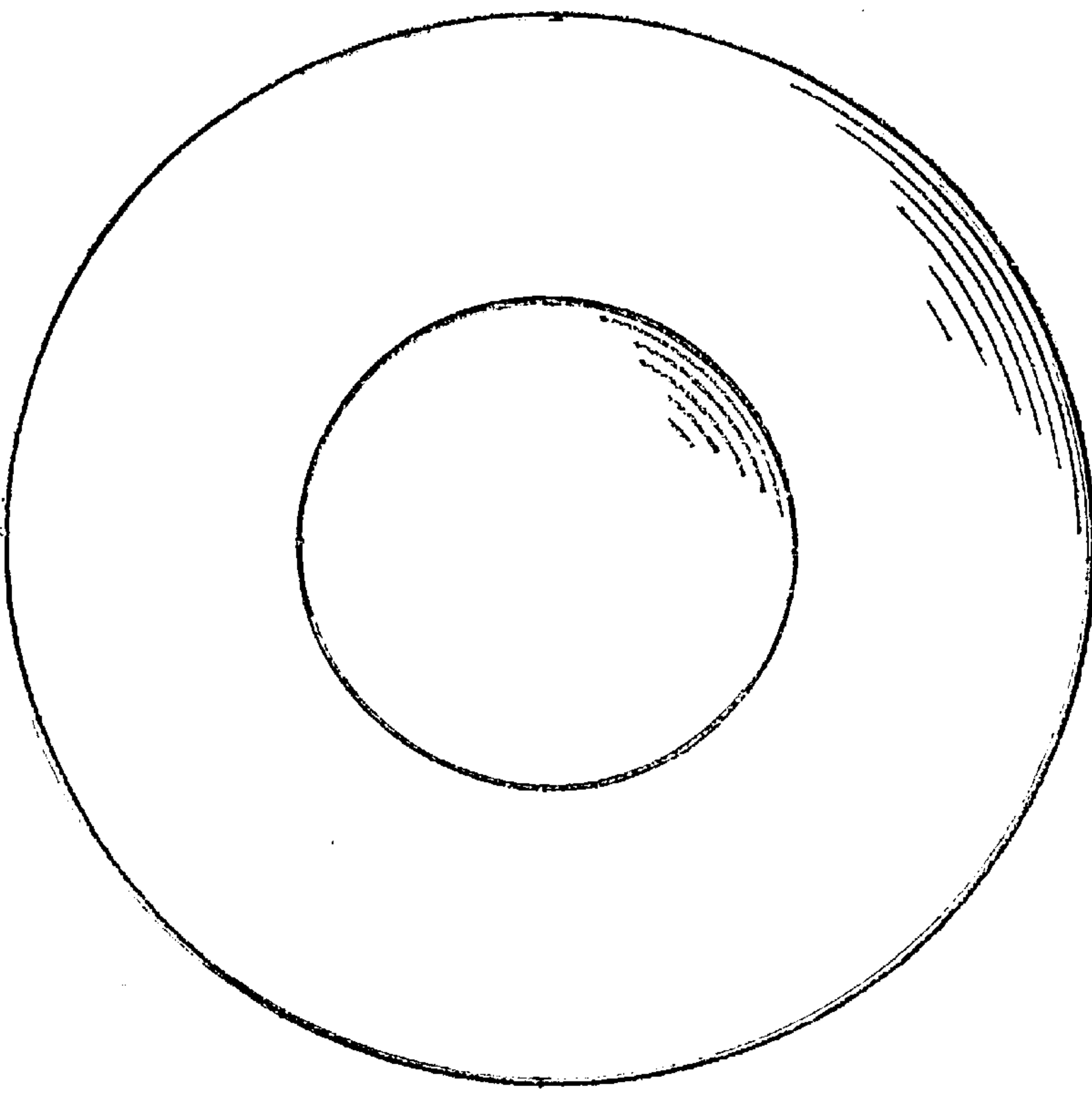




*Fig. 1*



*Fig. 3*



*Fig. 2*

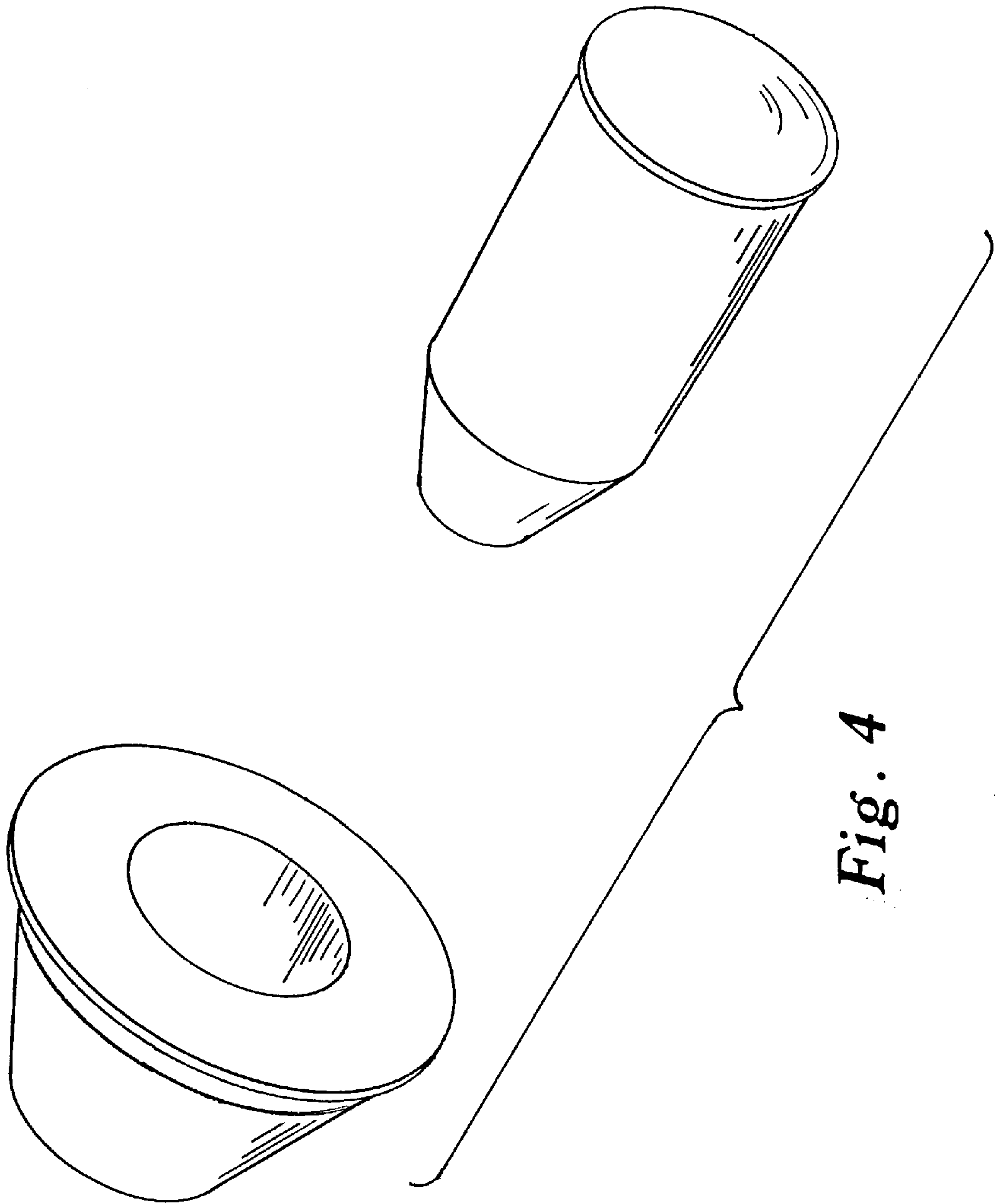


Fig. 4