



US00D419044S

United States Patent [19]

Amin

[11] Patent Number: Des. 419,044

[45] Date of Patent: ** *Jan. 18, 2000

[54] **ELECTRODE HOLDER**

[76] Inventor: **Harish A. Amin**, 644 Port Patrick Pl., Fort Mill, S.C. 29715

[*] Notice: This patent is subject to a terminal disclaimer.

[**] Term: **14 Years**

[21] Appl. No.: **29/098,129**

[22] Filed: **Dec. 22, 1998**

[51] **LOC (7) Cl.** **08-05**

[52] **U.S. Cl.** **D8/30**

[58] **Field of Search** D8/30, 51, 52; 219/70, 138, 140, 144

[56] **References Cited**

U.S. PATENT DOCUMENTS

D. 282,816	3/1986	Chaney et al.	D8/30
D. 369,728	5/1996	Liang	D8/30
2,384,999	9/1945	Heinrich	219/138
2,472,177	6/1949	Tabeer	219/138
2,799,771	7/1957	Donnelly, Jr.	219/138
2,894,086	7/1959	Rizer	219/138
2,899,536	8/1959	Hoese et al.	219/138

3,140,386	7/1964	Cartwright	219/138
3,356,823	12/1967	Waters et al.	219/138
3,573,419	4/1971	Henderson	219/138

Primary Examiner—Philip S. Hyder
Attorney, Agent, or Firm—Moore & Van Allen, PLLC

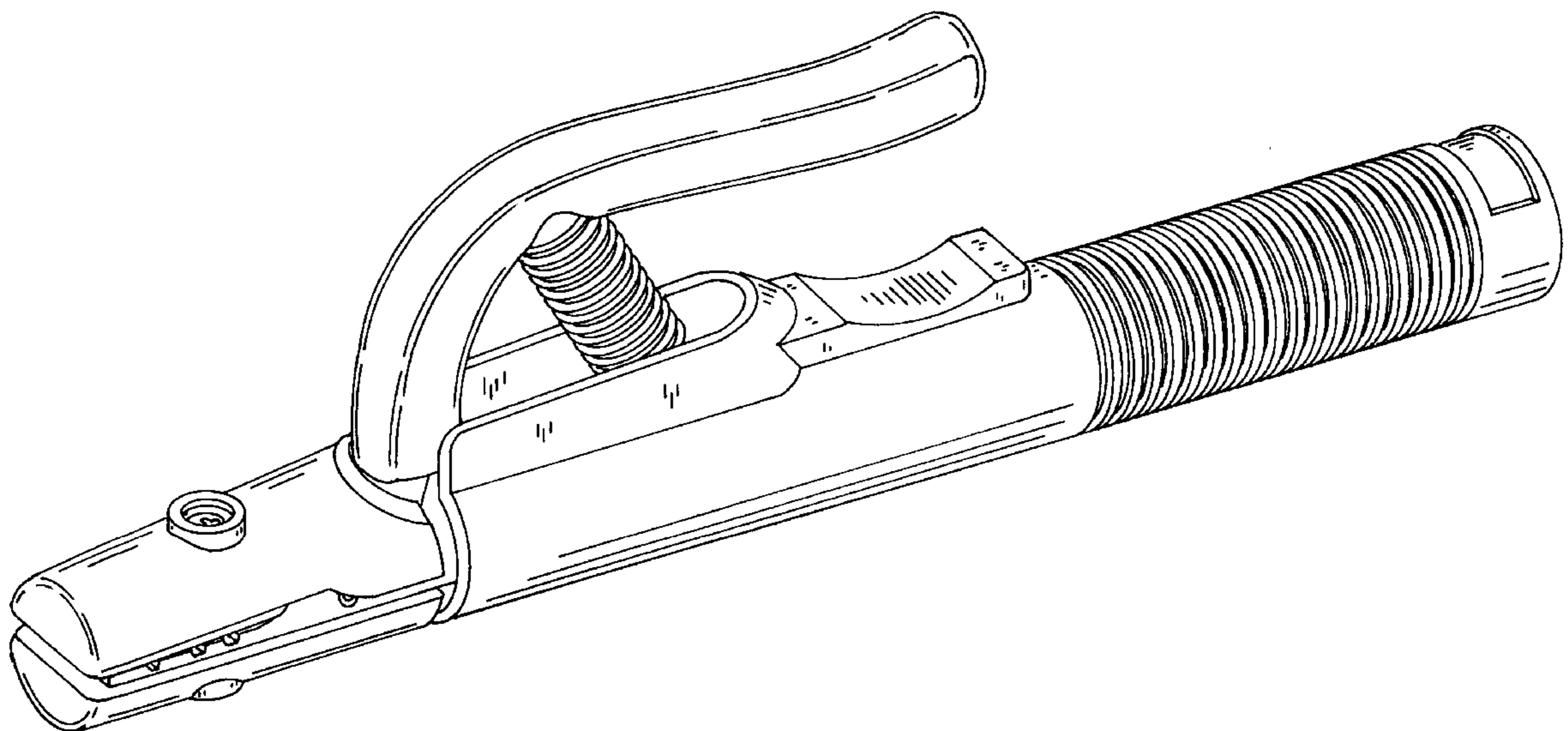
[57] **CLAIM**

The ornamental design for an electrode holder, as shown and described.

DESCRIPTION

FIG. 1 is a perspective view of an electrode holder showing our new design;
 FIG. 2 is a top view of an electrode holder showing our new design;
 FIG. 3 is a side view of an electrode holder showing our new design;
 FIG. 4 is a bottom view of an electrode holder showing our new design;
 FIG. 5 is a front end view of an electrode holder showing our new design;
 FIG. 6 is a back end view of an electrode holder showing our new design; and,
 FIG. 7 is a side view of an electrode holder showing our new design.

1 Claim, 4 Drawing Sheets



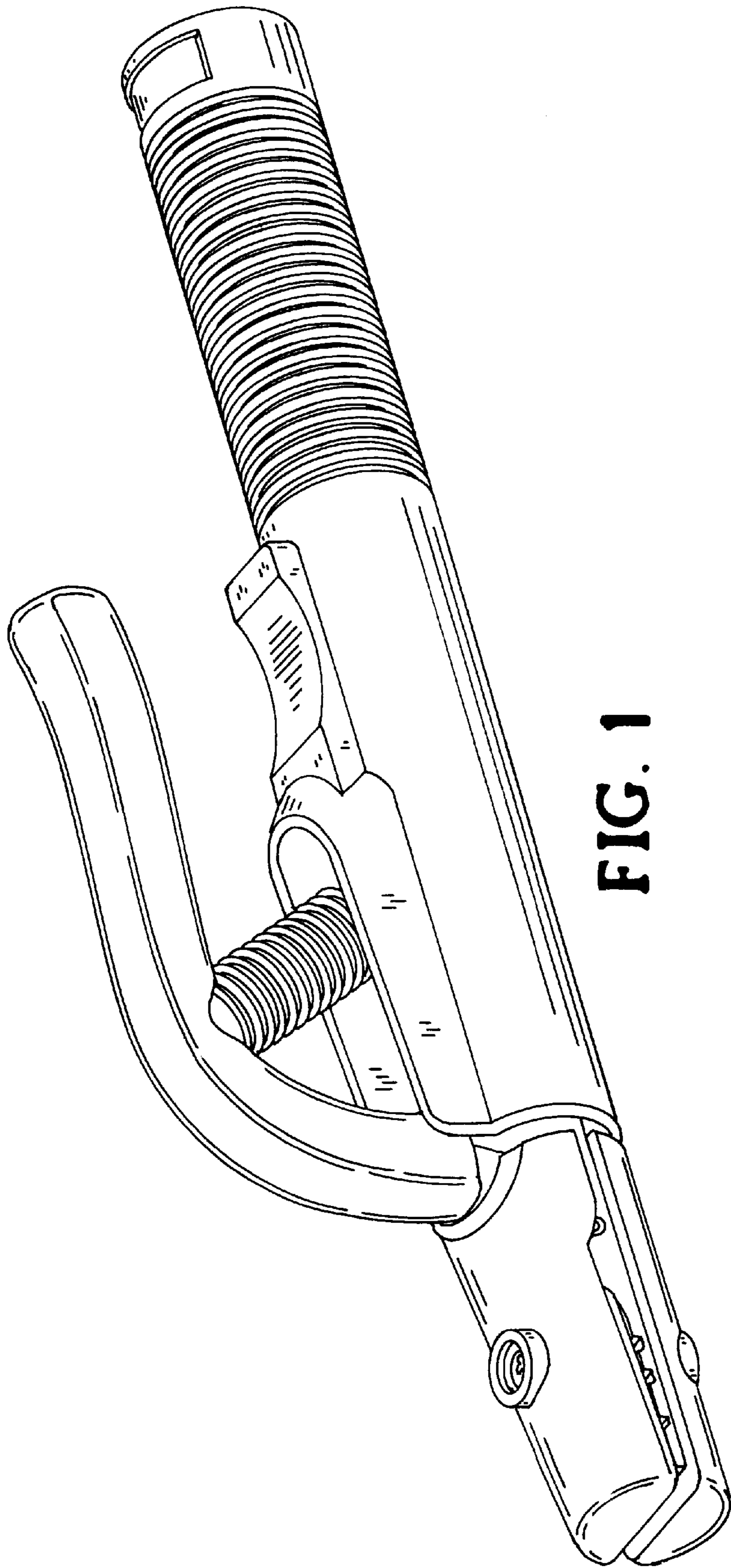


FIG. 1

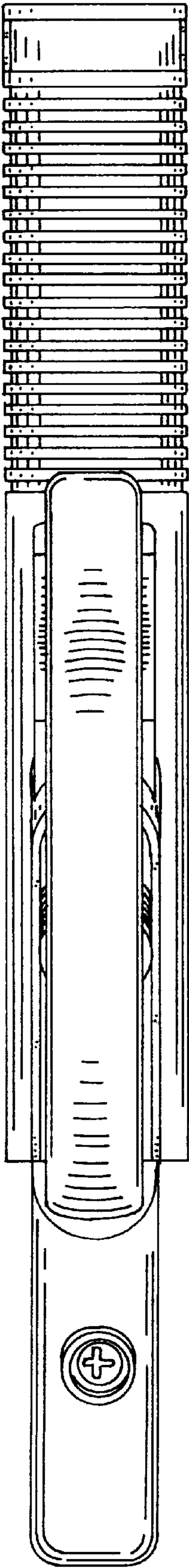


FIG. 2

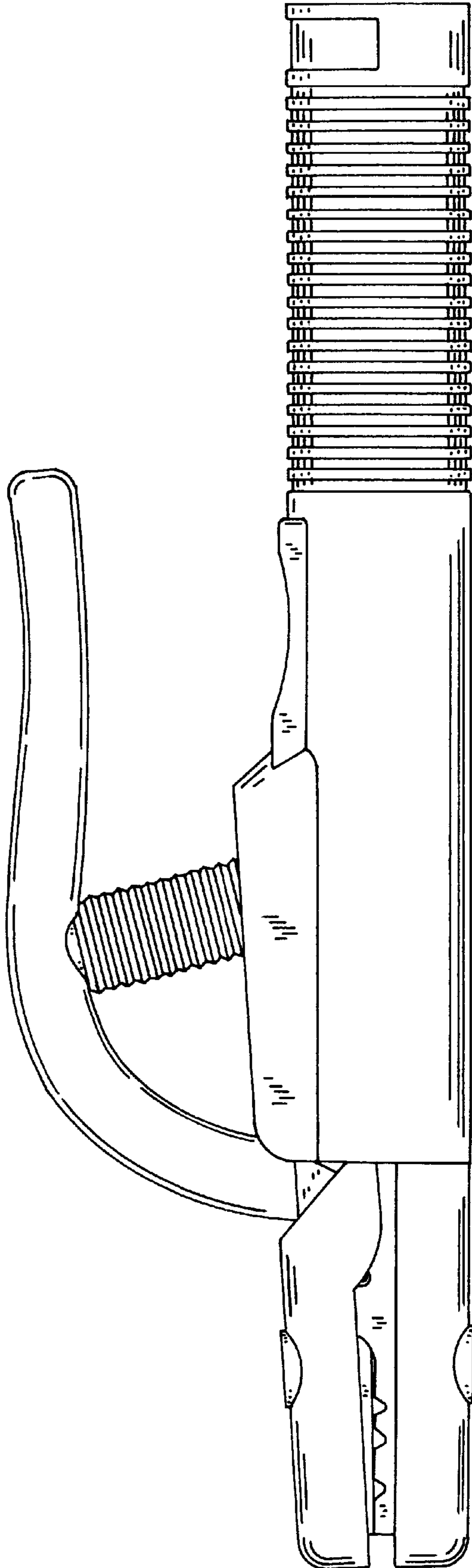


FIG. 3

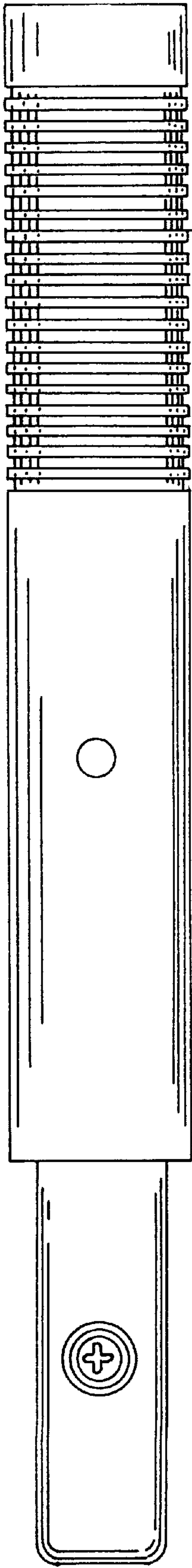


FIG. 4

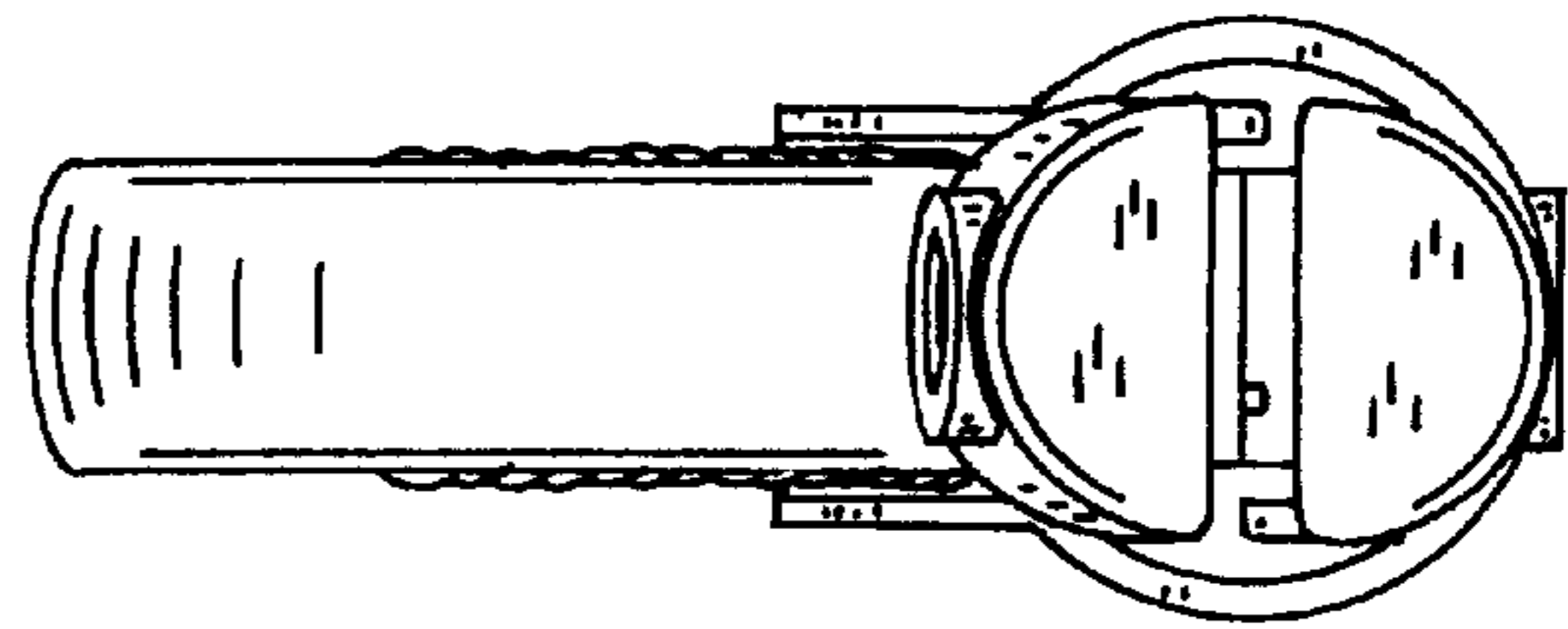


FIG. 5

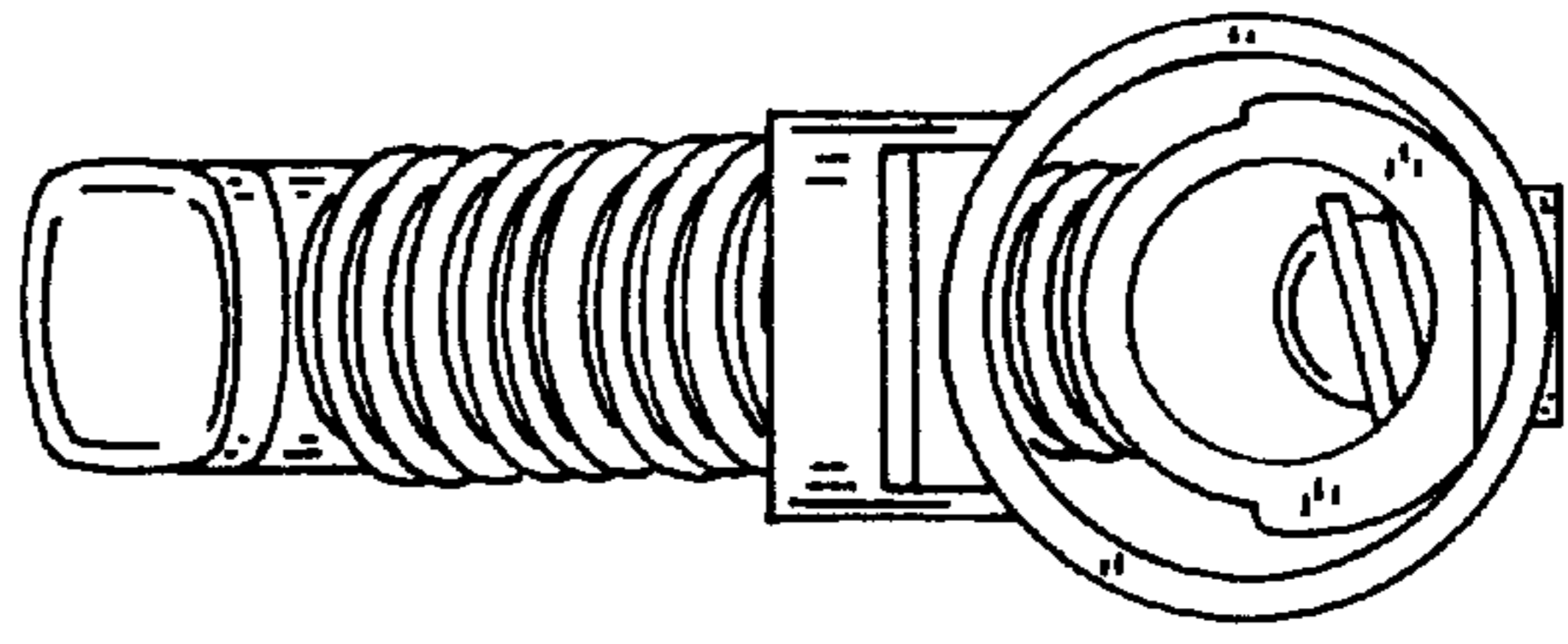


FIG. 6

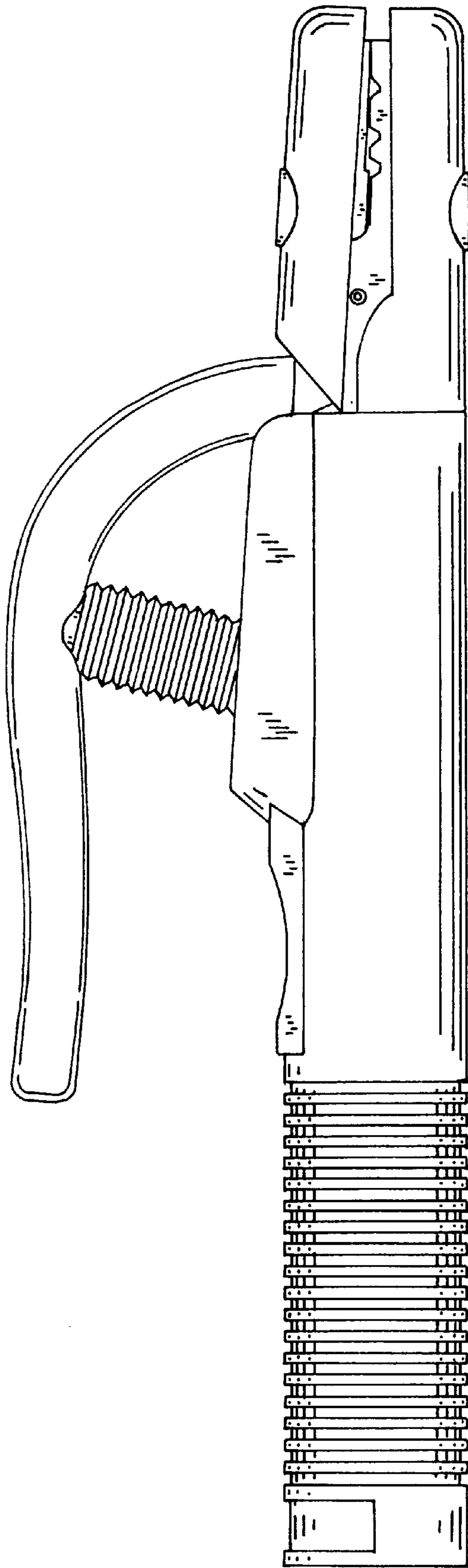


FIG. 7