



US00D419041S

United States Patent [19] Frank

[11] **Patent Number: Des. 419,041**

[45] **Date of Patent: ** Jan. 18, 2000**

- [54] **COOKWARE UTENSIL HANDLE**
- [75] Inventor: **Matthew J. Frank**, San Francisco, Calif.
- [73] Assignee: **Williams-Sonoma, Inc.**, San Francisco, Calif.
- [**] Term: **14 Years**
- [21] Appl. No.: **29/084,420**
- [22] Filed: **Mar. 3, 1998**
- [51] **LOC (7) Cl.** **07-02**
- [52] **U.S. Cl.** **D7/688**
- [58] **Field of Search** D7/688, 653, 691, D7/401.2, 669; 30/324-328, 340-344

[56] **References Cited**

U.S. PATENT DOCUMENTS

| | | | |
|------------|---------|-------------------|----------|
| 103,055 | 5/1870 | Kinzer | 16/110 A |
| D. 307,095 | 4/1990 | Juergens | D7/653 |
| D. 311,307 | 10/1990 | Cantereels et al. | D7/683 |
| D. 365,966 | 1/1996 | Ancona | D7/401.2 |
| D. 378,796 | 4/1997 | DeCoster | D7/683 |
| 4,839,965 | 6/1989 | Levie | 30/324 |

OTHER PUBLICATIONS

Chef's Catalog; p. 73; items N, O, P, Q, R, top of page, Feb. 1995.

Primary Examiner—Mitchell Siegel

Attorney, Agent, or Firm—Janis Biksa; Peters, Verny, Jones & Biksa LLP

[57] **CLAIM**

The ornamental design for a cookware utensil handle, as shown and described.

DESCRIPTION

FIG. 1 is a perspective view of the design according to the invention;

FIG. 2 is a top view of the design of FIG. 1;

FIG. 3 is a bottom view of the design of FIG. 1;

FIG. 4 is a right side view of the design of FIG. 1, the left side being a mirror image thereof;

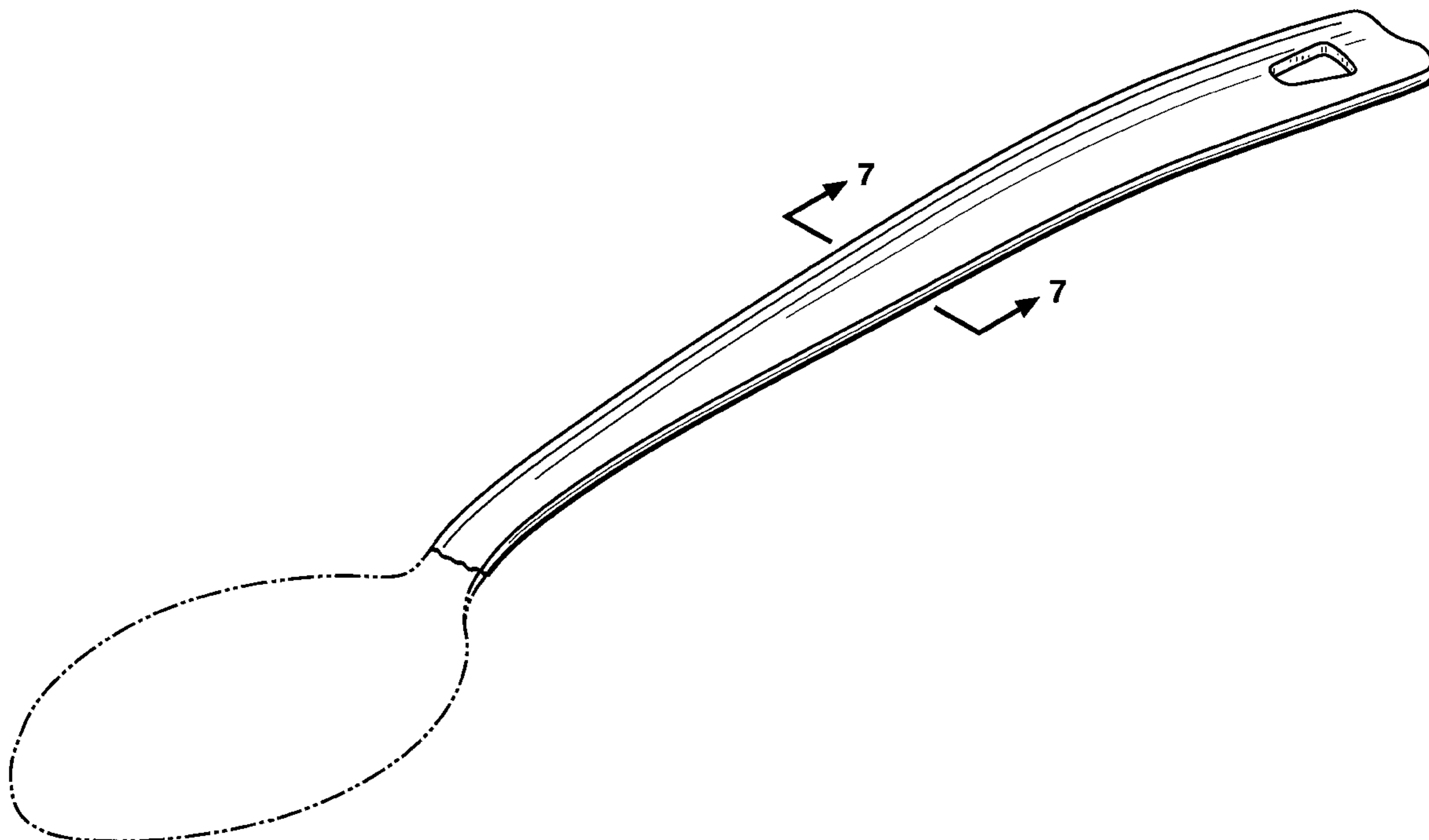
FIG. 5 is a front view of the design of FIG. 1;

FIG. 6 is a back view of the design of FIG. 1; and,

FIG. 7 is a cross sectional view of the design of FIG. 1, taken at 7—7.

The broken lines showing a spoon type end attached to the handle design are for illustrative purposes only and form no part of the claim.

1 Claim, 2 Drawing Sheets



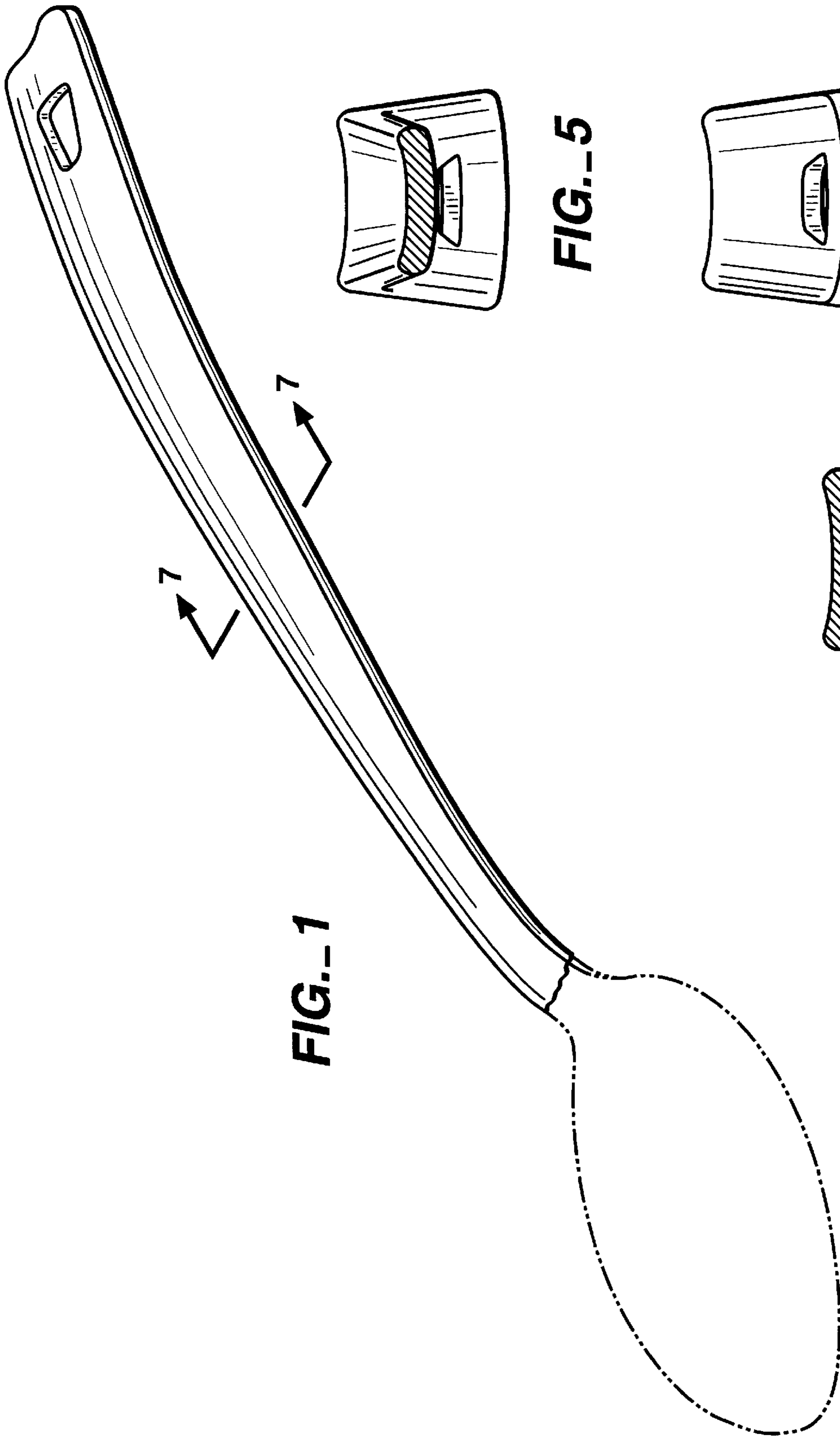


FIG.-- 1

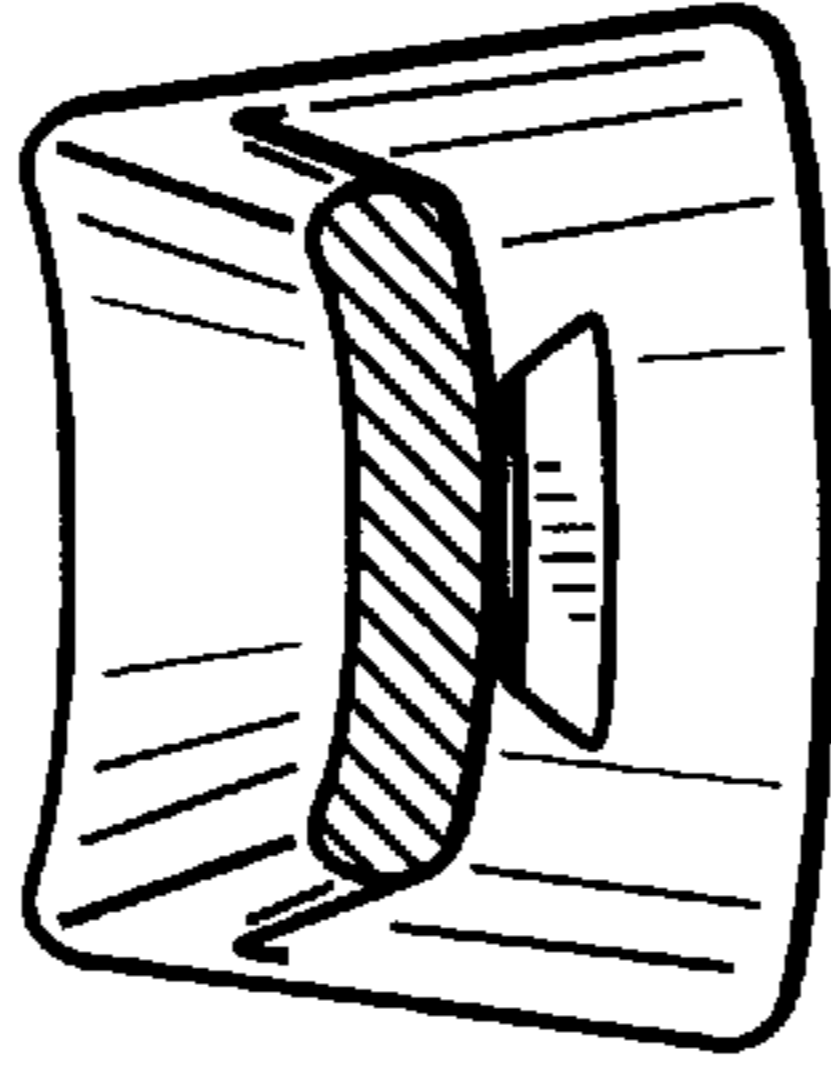


FIG.-- 5

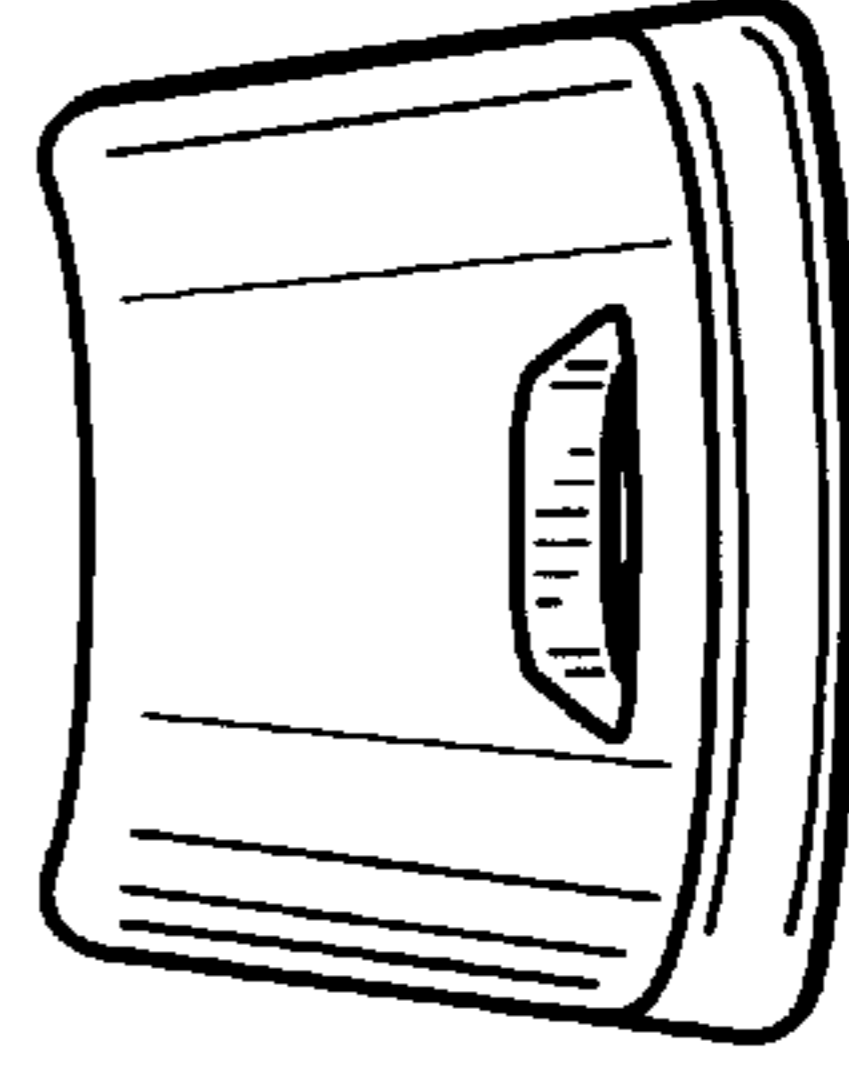


FIG.-- 6



FIG.-- 7

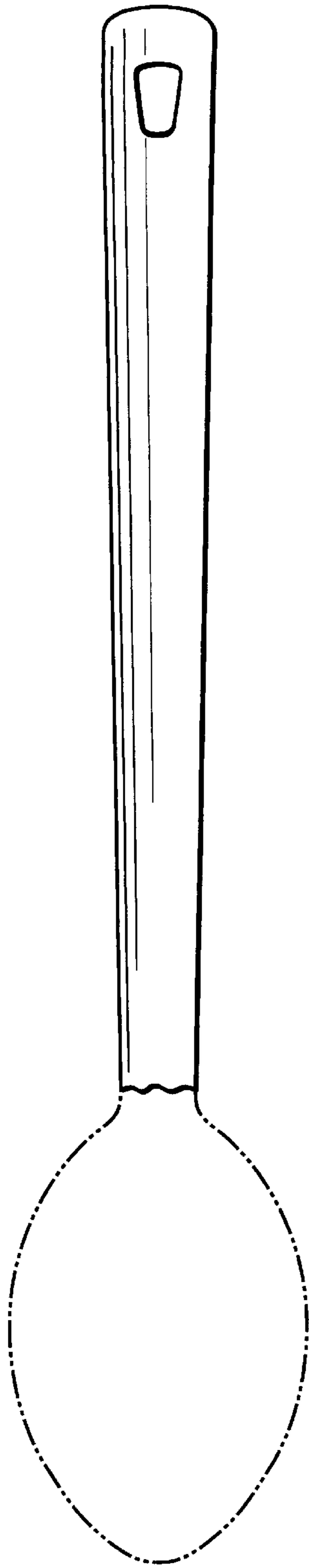


FIG._2

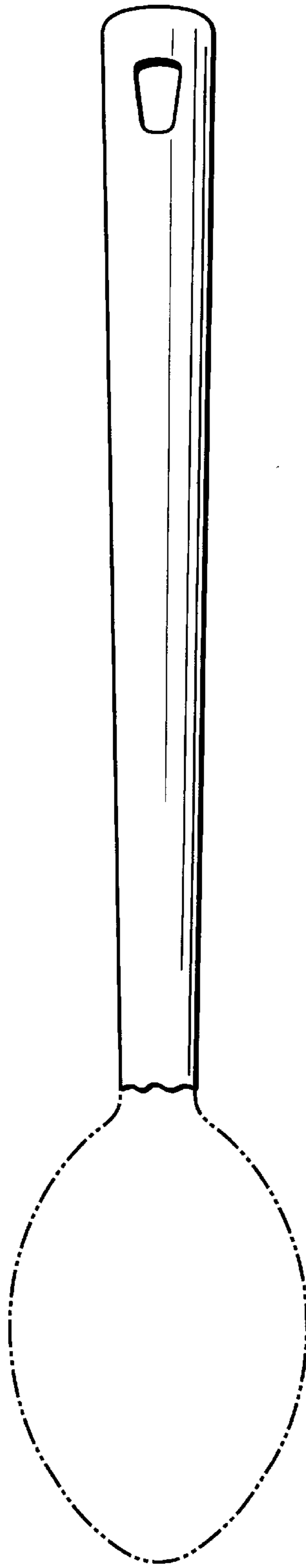


FIG._3

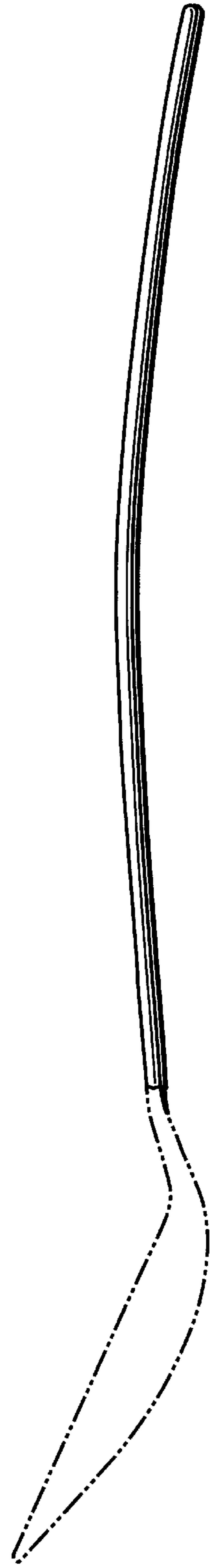


FIG._4