



US00D419033S

United States Patent [19]

Thomas

[11] Patent Number: **Des. 419,033**

[45] Date of Patent: **** Jan. 18, 2000**

[54] **BREAD STORAGE CONTAINER**

D. 389,379 1/1998 Samuels D7/610
4,034,890 7/1977 Baller 220/334

[76] Inventor: **Lavon Thomas**, 2239 Toledano St.,
New Orleans, La. 70115

Primary Examiner—Terry A. Wallace
Attorney, Agent, or Firm—Keaty & Keaty

[**] Term: **14 Years**

[57] **CLAIM**

[21] Appl. No.: **29/084,070**

A new ornamental design for a bread storage container, as shown and described.

[22] Filed: **Feb. 23, 1998**

DESCRIPTION

[51] **LOC (7) Cl.** **07-07**

[52] **U.S. Cl.** **D7/609**

[58] **Field of Search** D7/609, 610, 612-615,
D7/538-542, 629, 601; 206/551; 220/305,
334, 780, 792; D9/430-432

FIG. 1 is a perspective view of my new ornamental design for a bread storage container.

FIG. 2 is a top view thereof.

FIG. 3 is a bottom view thereof.

FIG. 4 is a front view thereof.

FIG. 5 is a rear view of thereof; and,

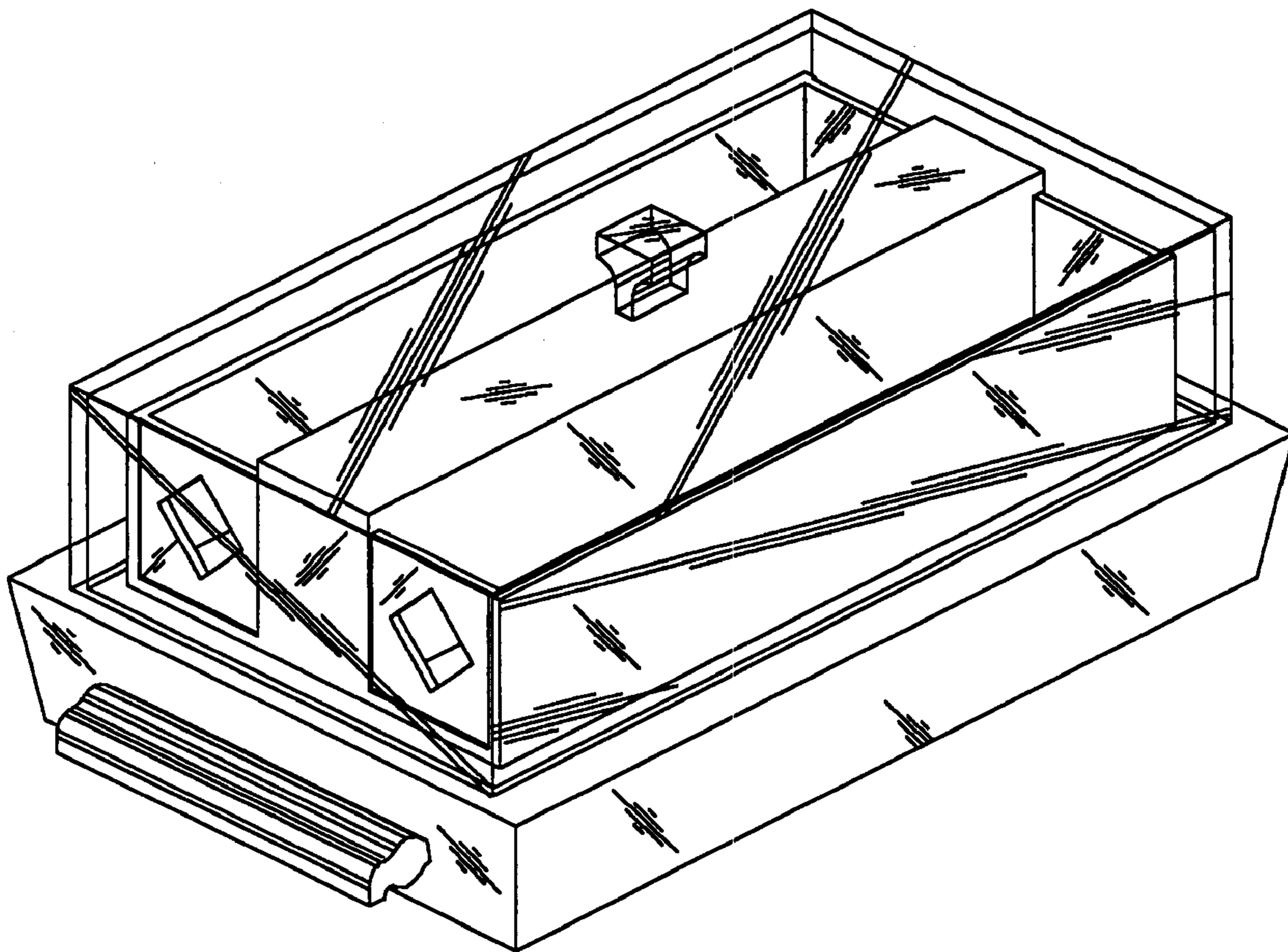
FIG. 6 is a front side view thereof; the opposite side is a mirror image of the figure shown in FIG. 6.

[56] **References Cited**

U.S. PATENT DOCUMENTS

D. 136,619 11/1943 Wahl D7/609
D. 372,399 8/1996 Wang D7/609

1 Claim, 2 Drawing Sheets



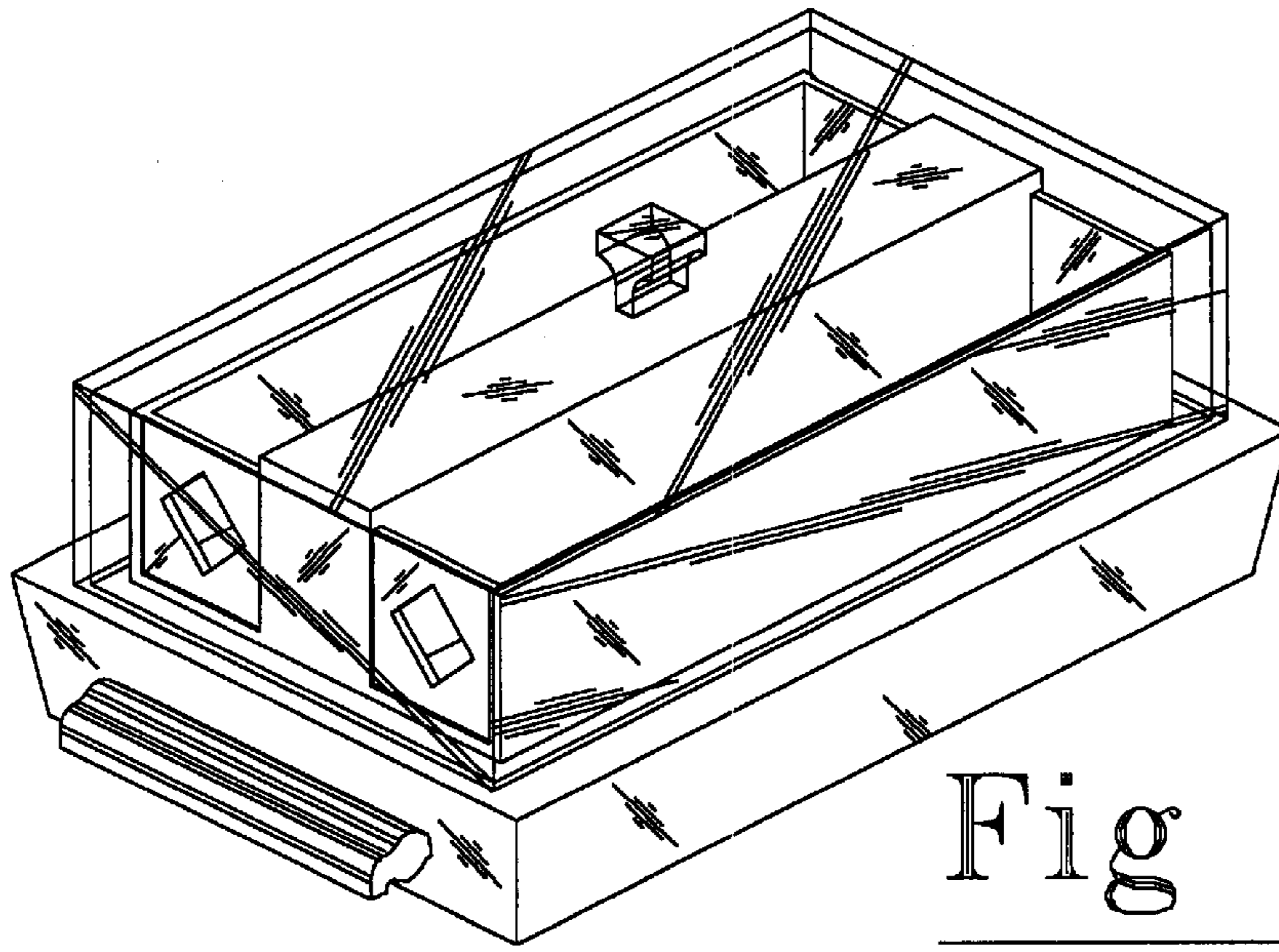


Fig 1

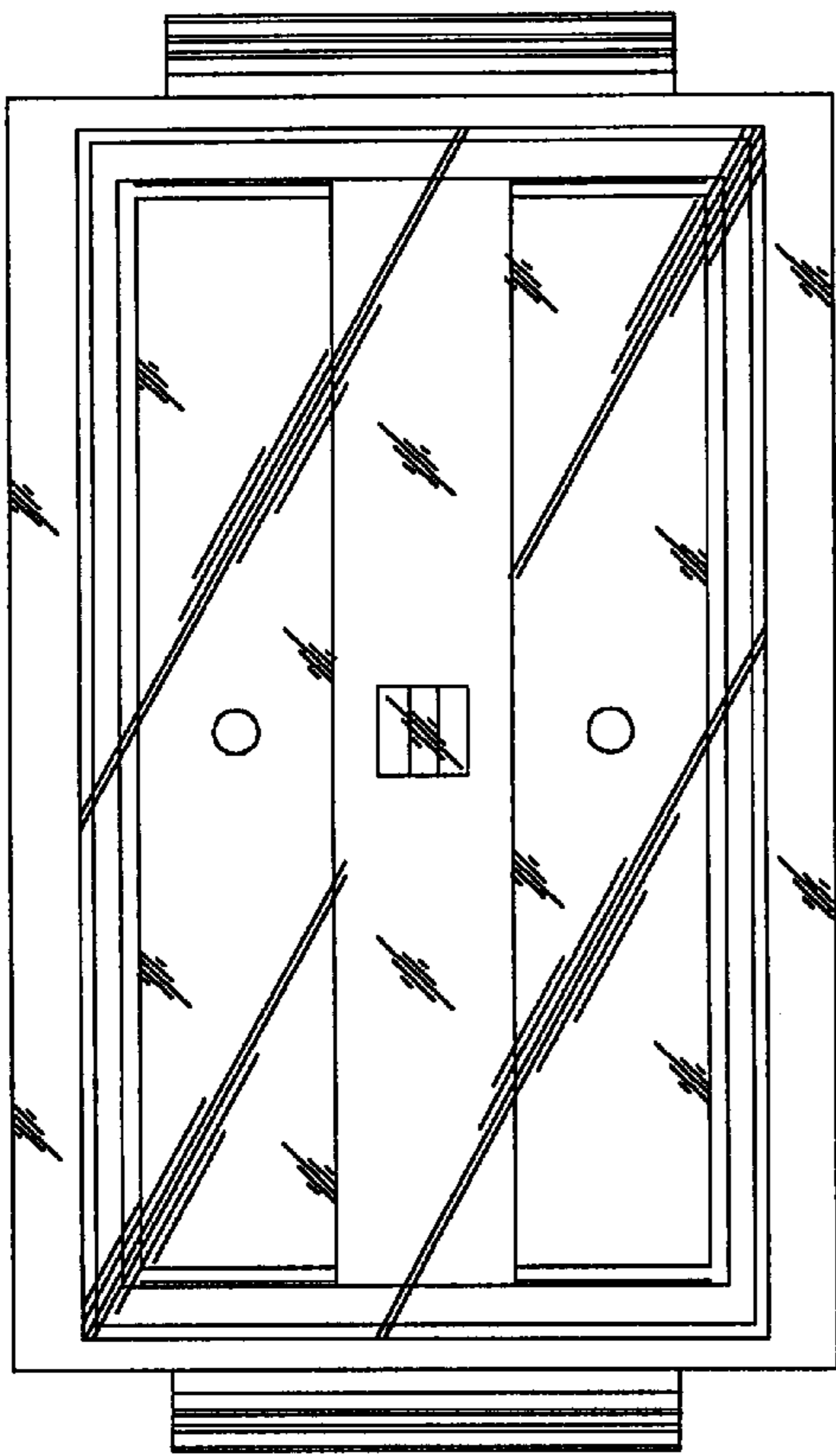


Fig 2

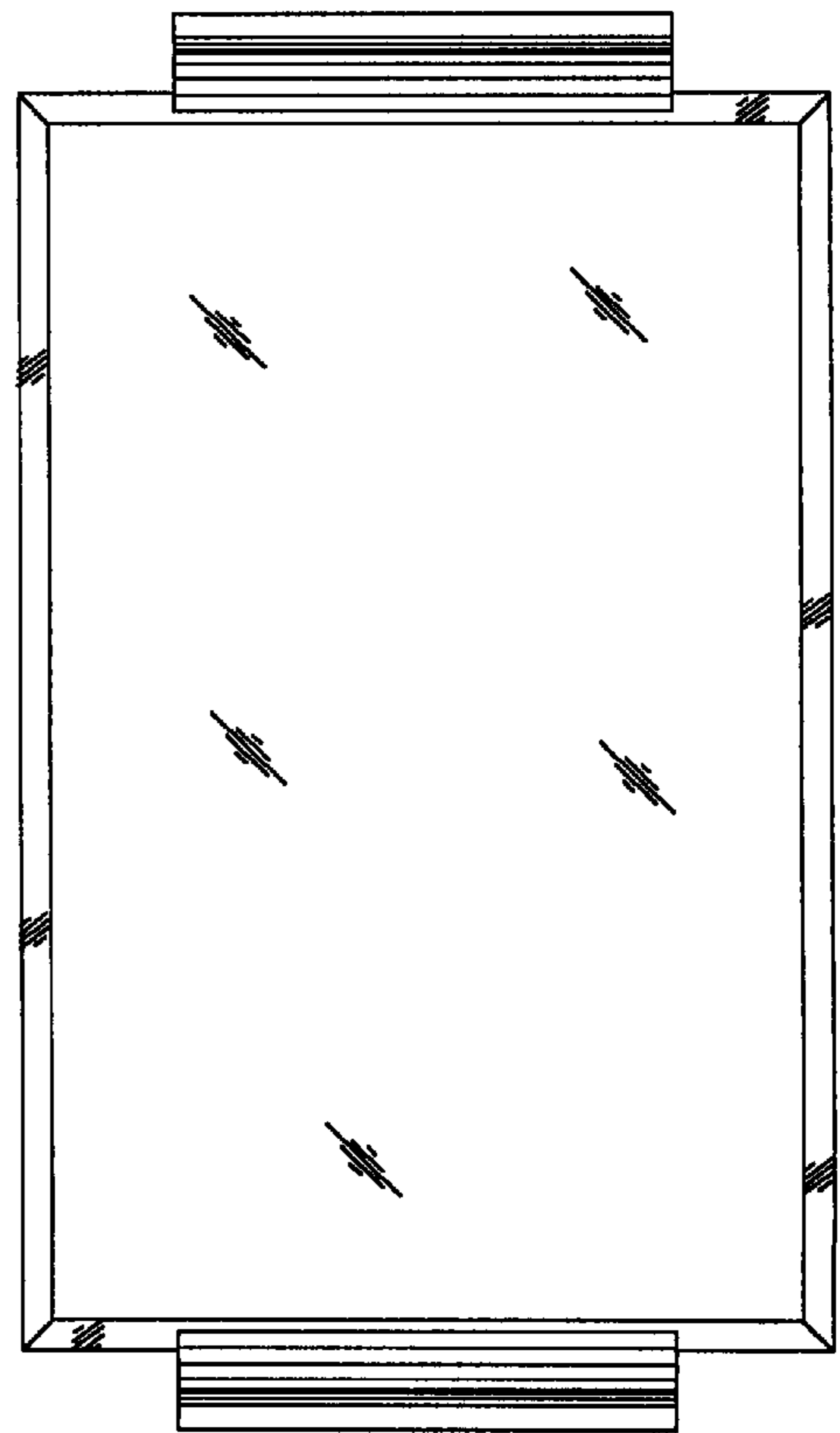


Fig 3

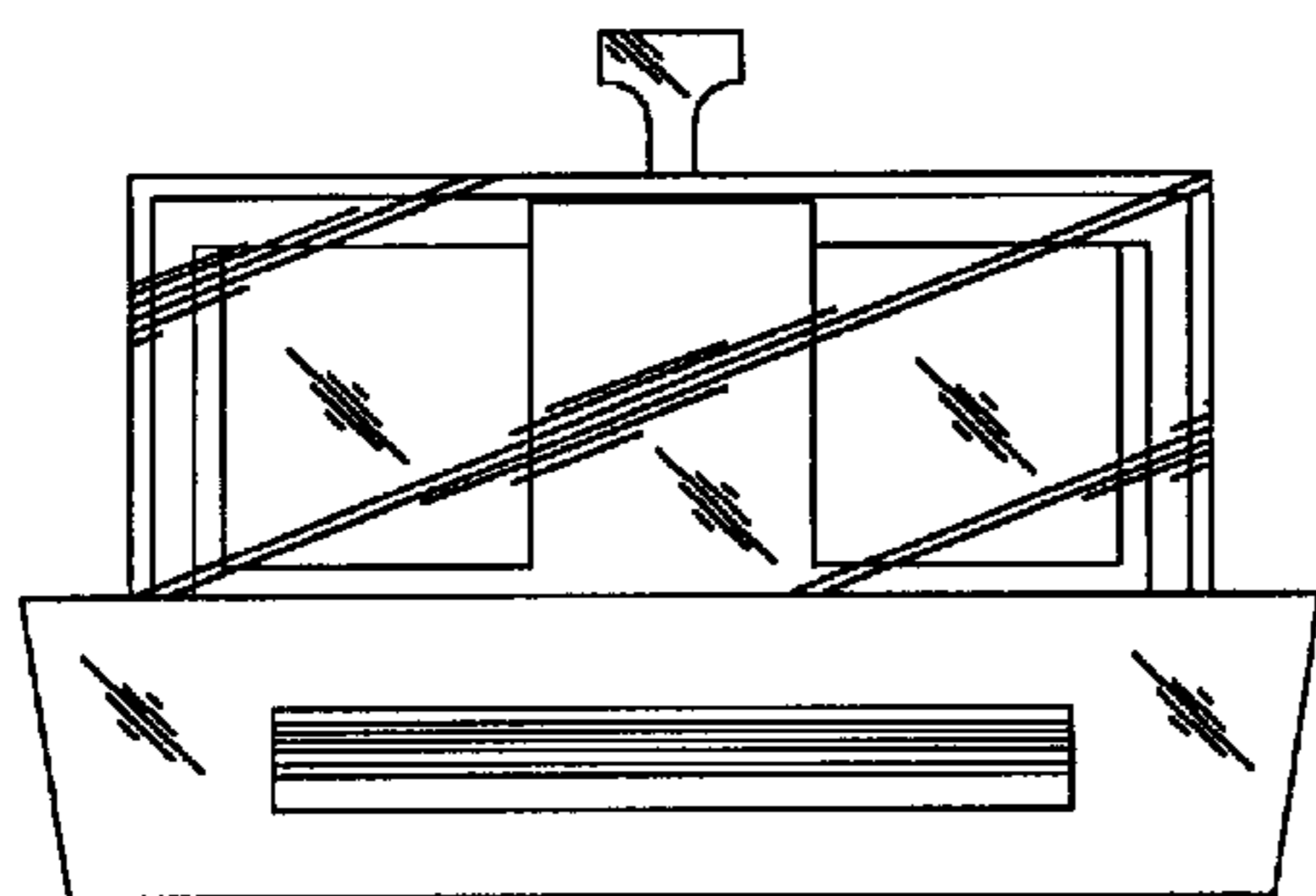


Fig 4

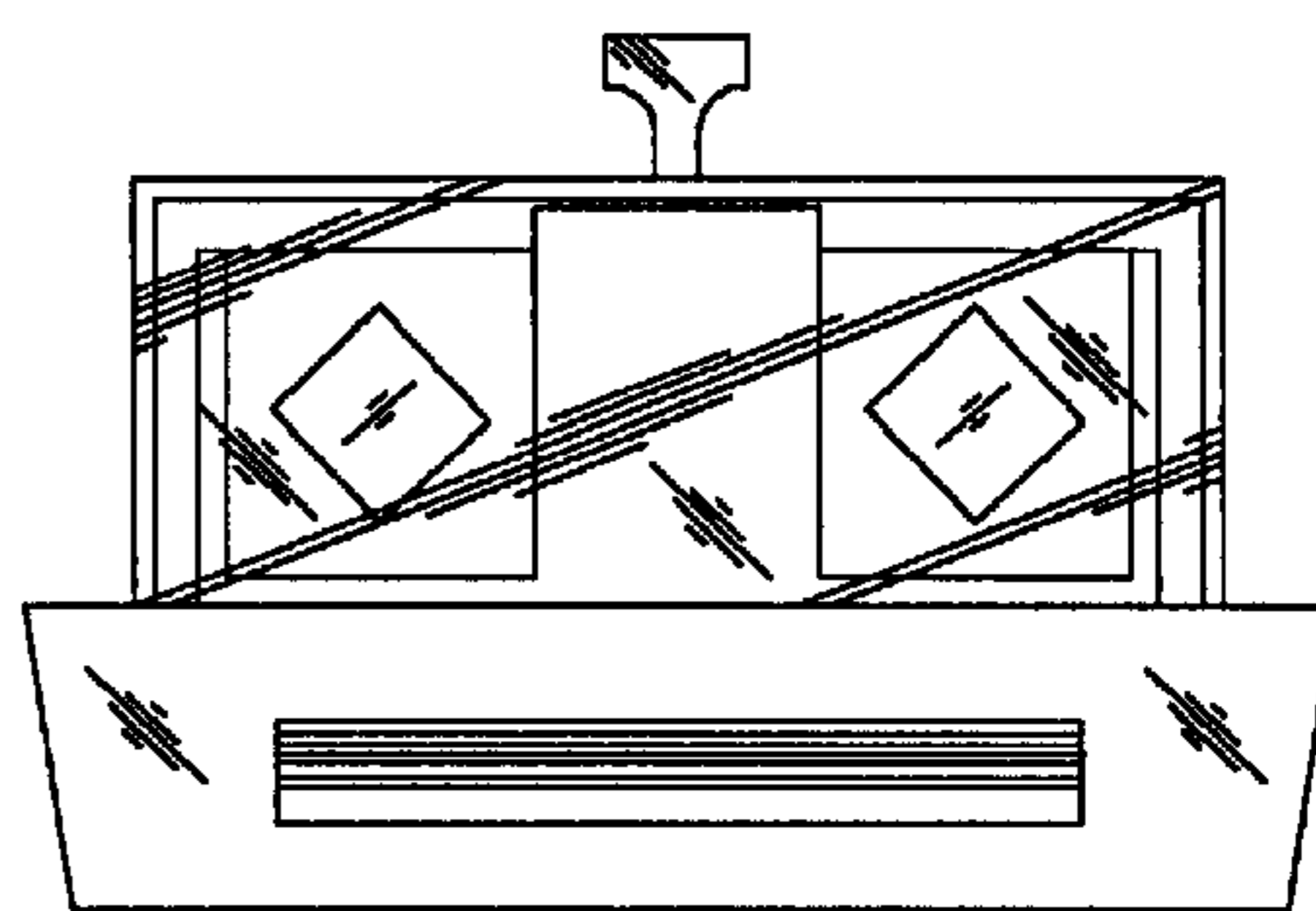


Fig 5

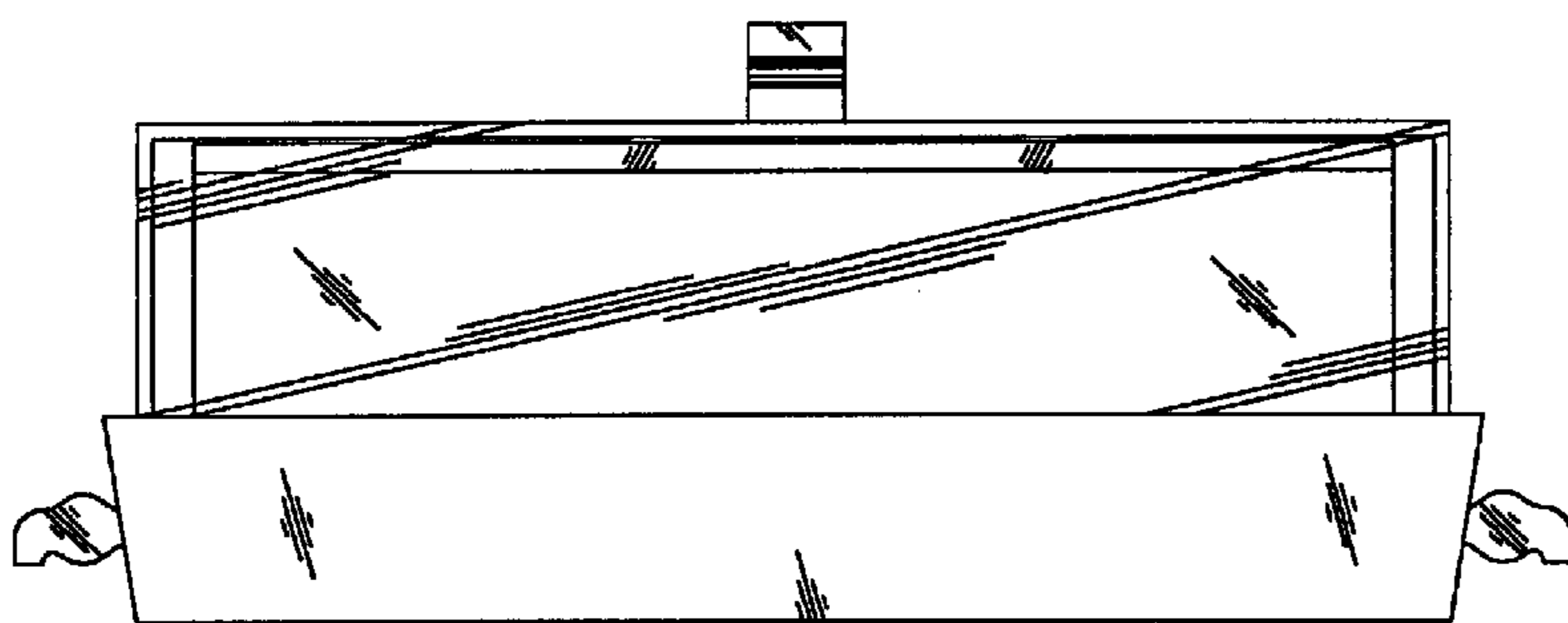


Fig 6