



US00D419032S

United States Patent [19]

[11] Patent Number: **Des. 419,032**

Stern et al.

[45] Date of Patent: **** Jan. 18, 2000**

[54] **PERSONAL COMPUTER DRINKING VESSEL AND HOLDER**

[76] Inventors: **Gary M. Stern**, 16650 Van Gogh Rd., Loxahatchee, Fla. 33470; **Charles B. Williams, Jr.**, 110 Alamedia Ct., Apt. 130, Tampa, Fla. 33609; **Donald R. Lutchman**, 7520 SW. 14th St., Plantation, Fla. 33317

D. 372,639	8/1996	Kristinik	D7/511
D. 373,347	9/1996	Ashley et al.	D14/100 X
D. 374,797	10/1996	Squire et al.	D7/515
D. 375,257	11/1996	Kling	D9/307
D. 375,656	11/1996	Wilson	D7/515
D. 383,444	9/1997	Han	D14/100
D. 384,654	10/1997	Denny et al.	D14/100 X
5,104,086	4/1992	Ramey, III et al.	248/442.2
5,729,922	3/1998	Peterson et al.	40/324

[**] Term: **14 Years**

Primary Examiner—M. N. Pandozzi
Attorney, Agent, or Firm—Edward M. Livingston, Esq.

[21] Appl. No.: **29/101,756**

[57] CLAIM

[22] Filed: **Mar. 11, 1999**

The ornamental design for a personal computer drinking vessel and holder, as shown and described.

[51] **LOC (7) Cl.** **07-01**

[52] **U.S. Cl.** **D7/515; D7/507**

[58] **Field of Search** D7/514, 515, 507, D7/509, 623, 625; D14/100, 102; 248/442.2

DESCRIPTION

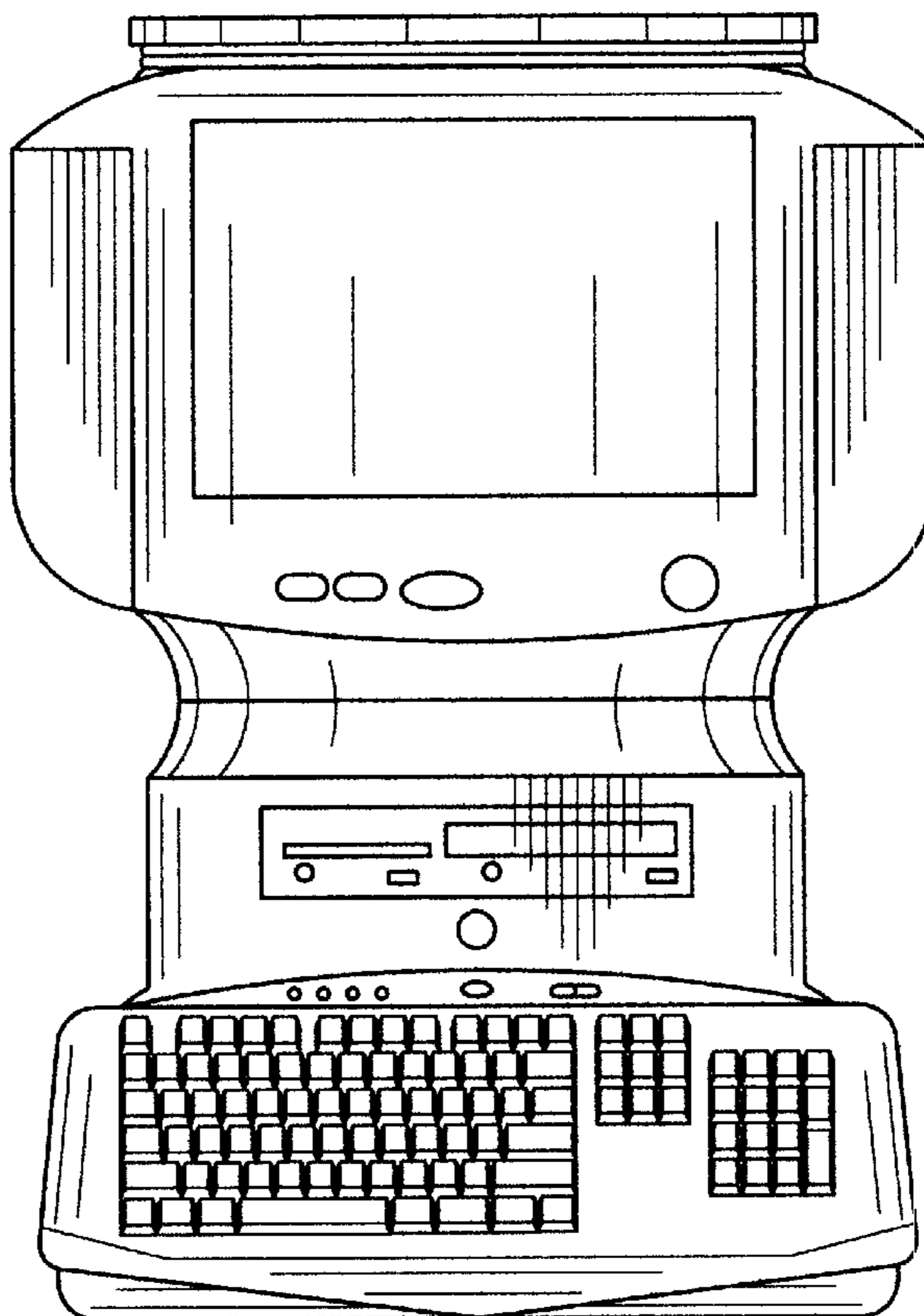
[56] References Cited

U.S. PATENT DOCUMENTS

D. 292,774	11/1987	McGraw	D9/307
D. 303,194	9/1989	Darby et al.	D7/307
D. 308,856	6/1990	Everson	D14/100
D. 348,049	6/1994	Manabe et al.	D14/100
D. 350,894	9/1994	Meng	D9/307
D. 351,160	10/1994	Massey et al.	D14/100
D. 359,656	6/1995	Hurst et al.	D7/515
D. 366,500	1/1996	Goldthwaite	D19/82
D. 370,664	6/1996	Oates	D14/100

FIG. 1 is a front view of the personal computer drinking vessel and holder;
FIG. 2 is a back view of the personal computer drinking vessel and holder;
FIG. 3 is a left side view of the personal computer drinking vessel and holder;
FIG. 4 is a right side view of the personal computer drinking vessel and holder;
FIG. 5 is a top view of the personal computer drinking vessel and holder; and,
FIG. 6 is a bottom view of the personal computer drinking vessel and holder.

1 Claim, 2 Drawing Sheets



+

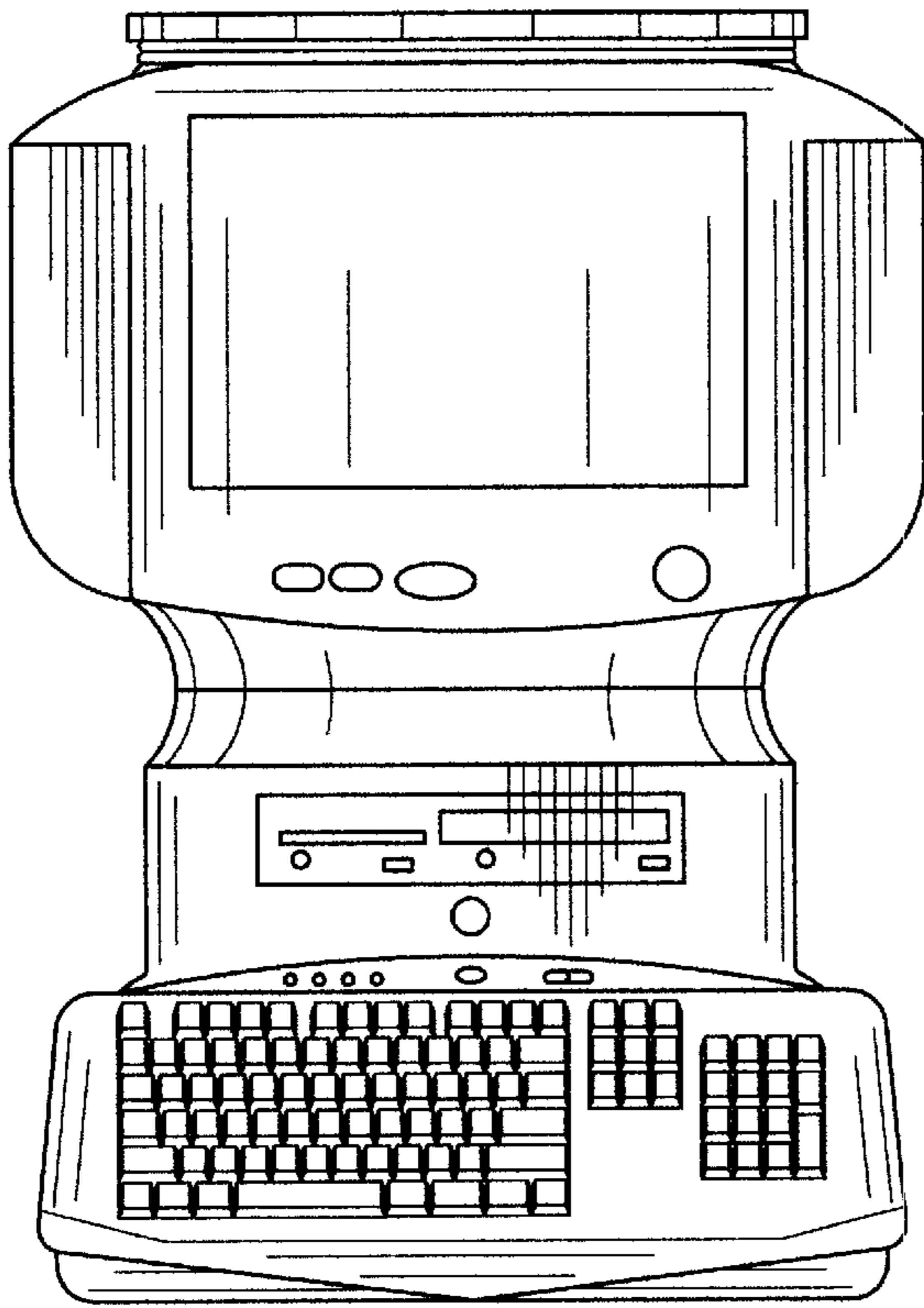


FIG. 1

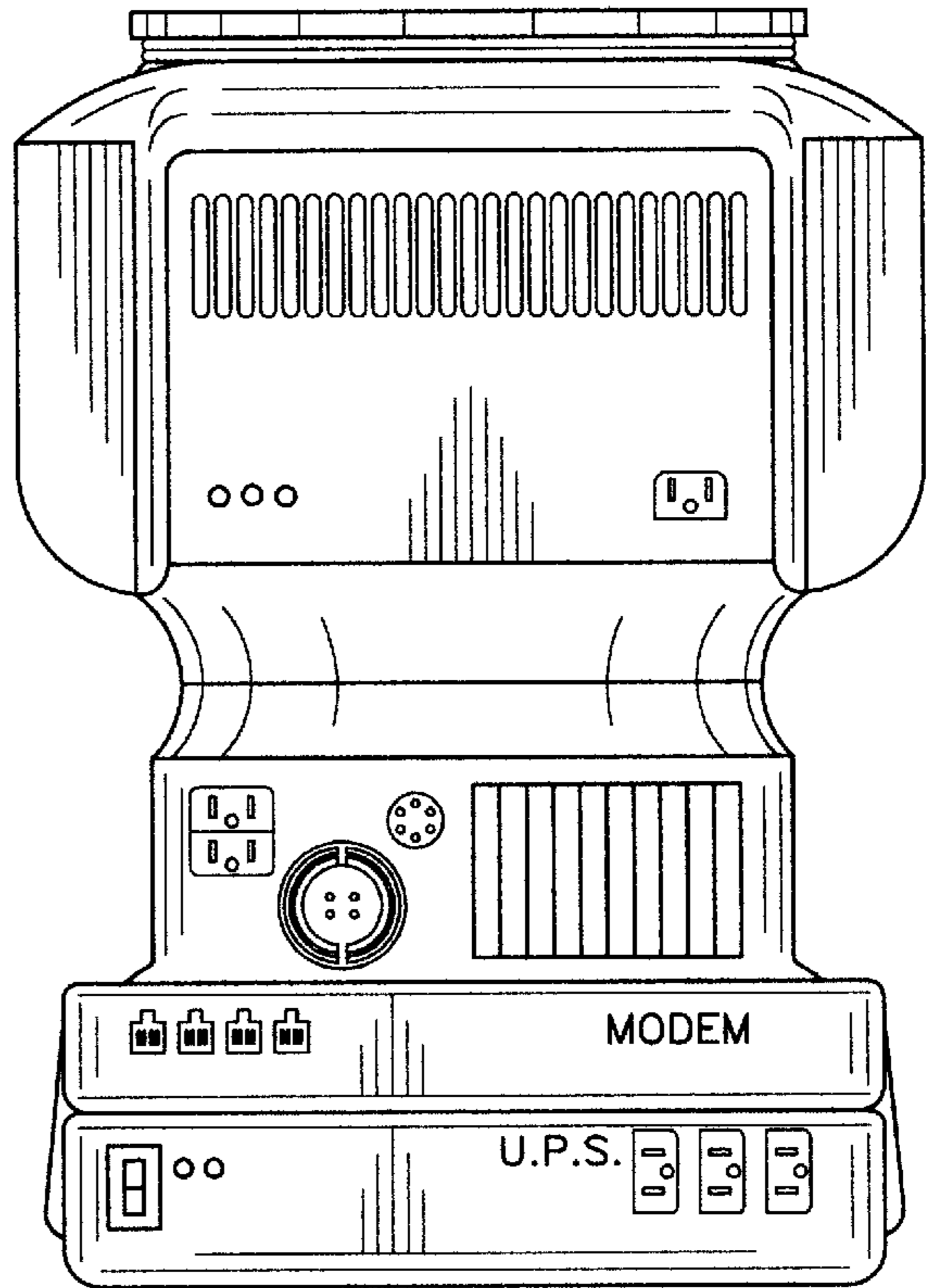


FIG. 2

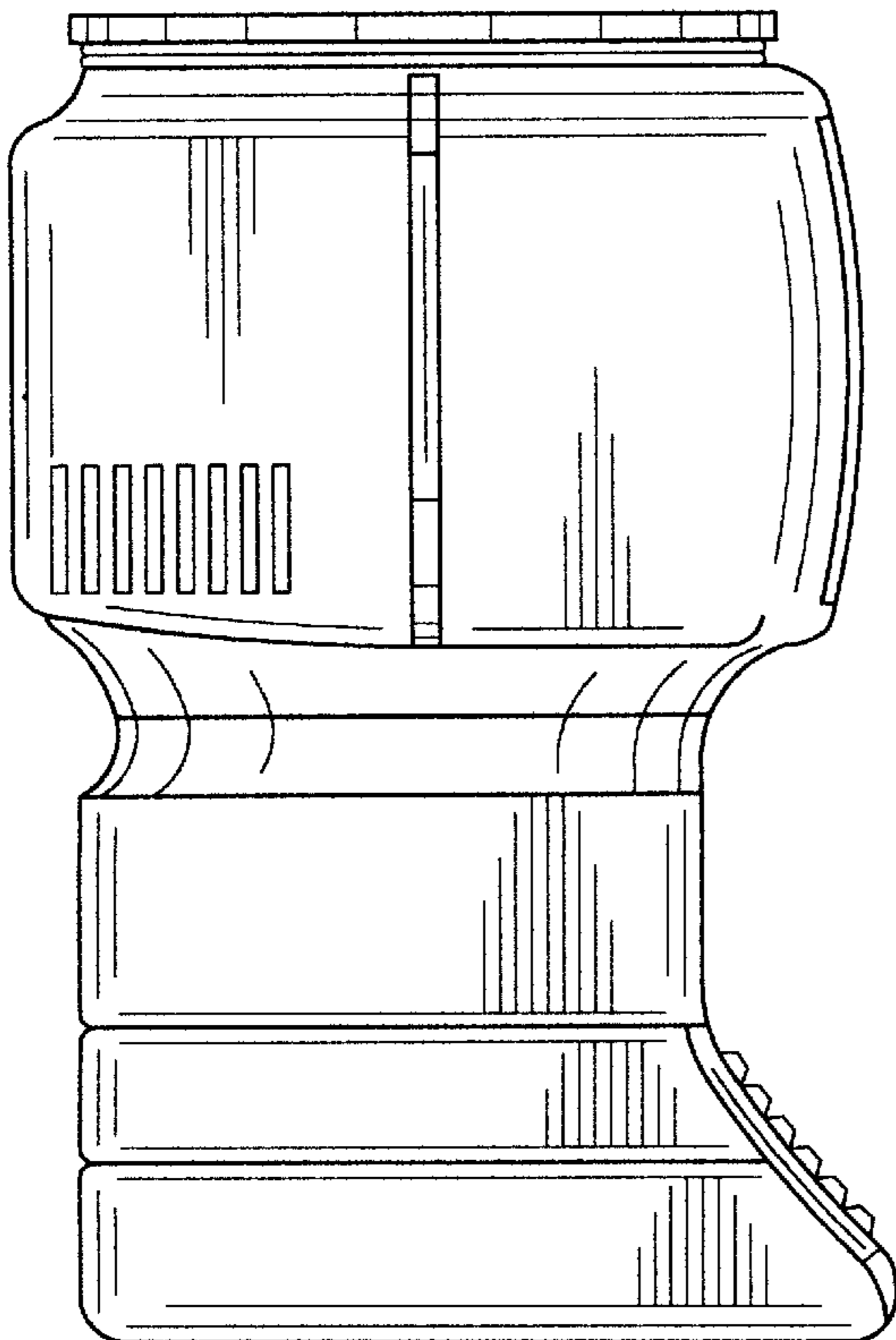


FIG. 3

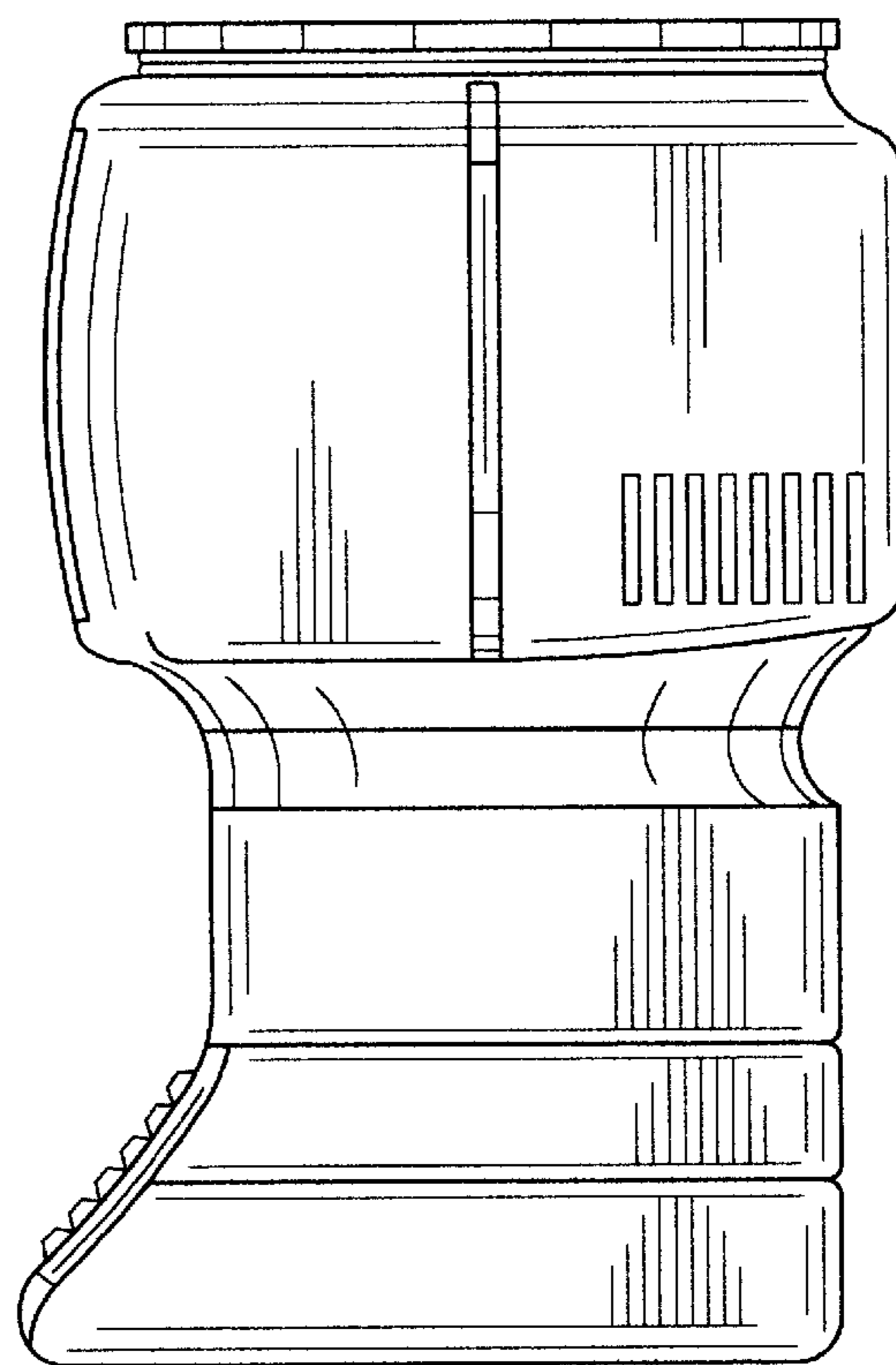


FIG. 4

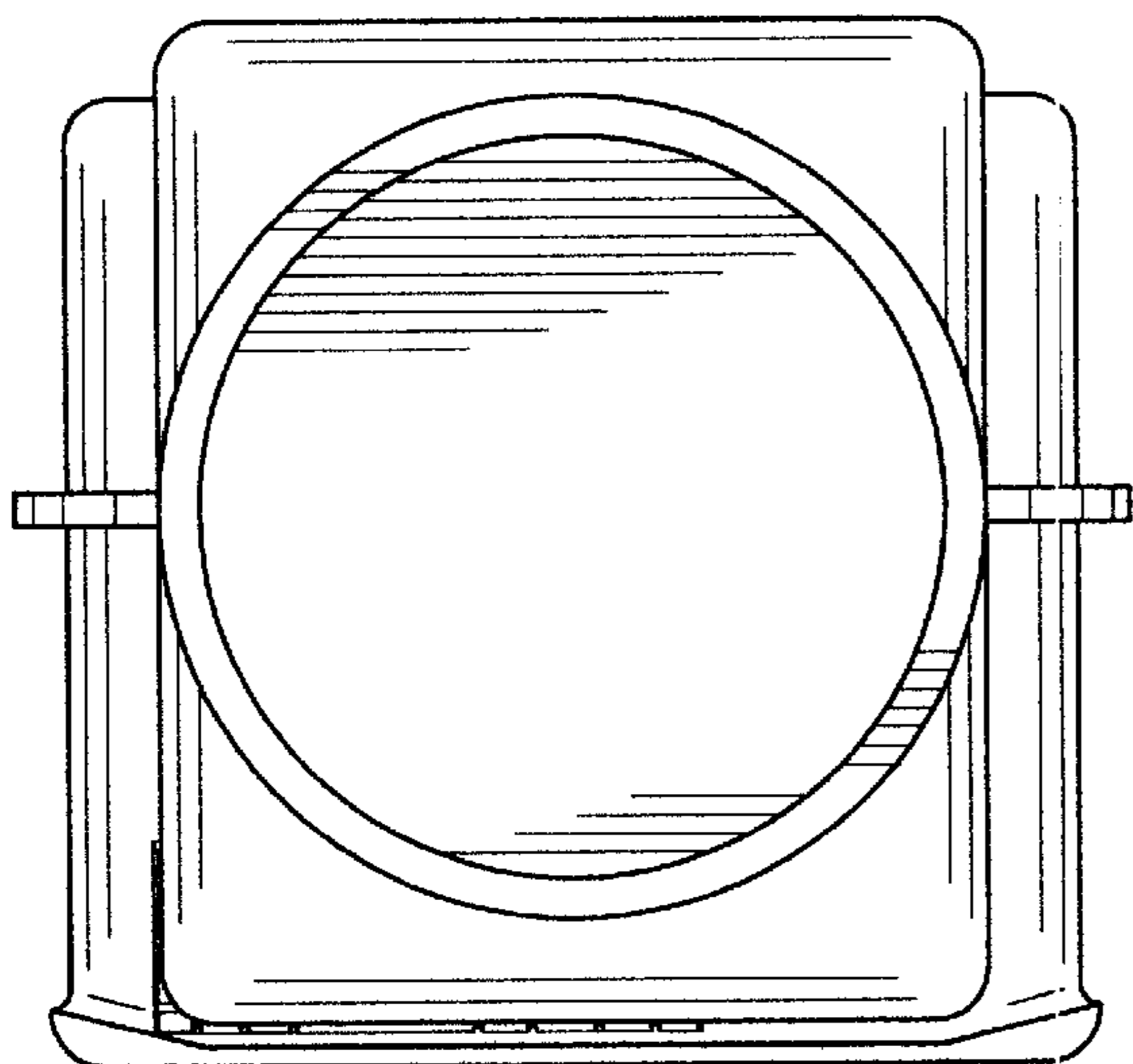


FIG. 5

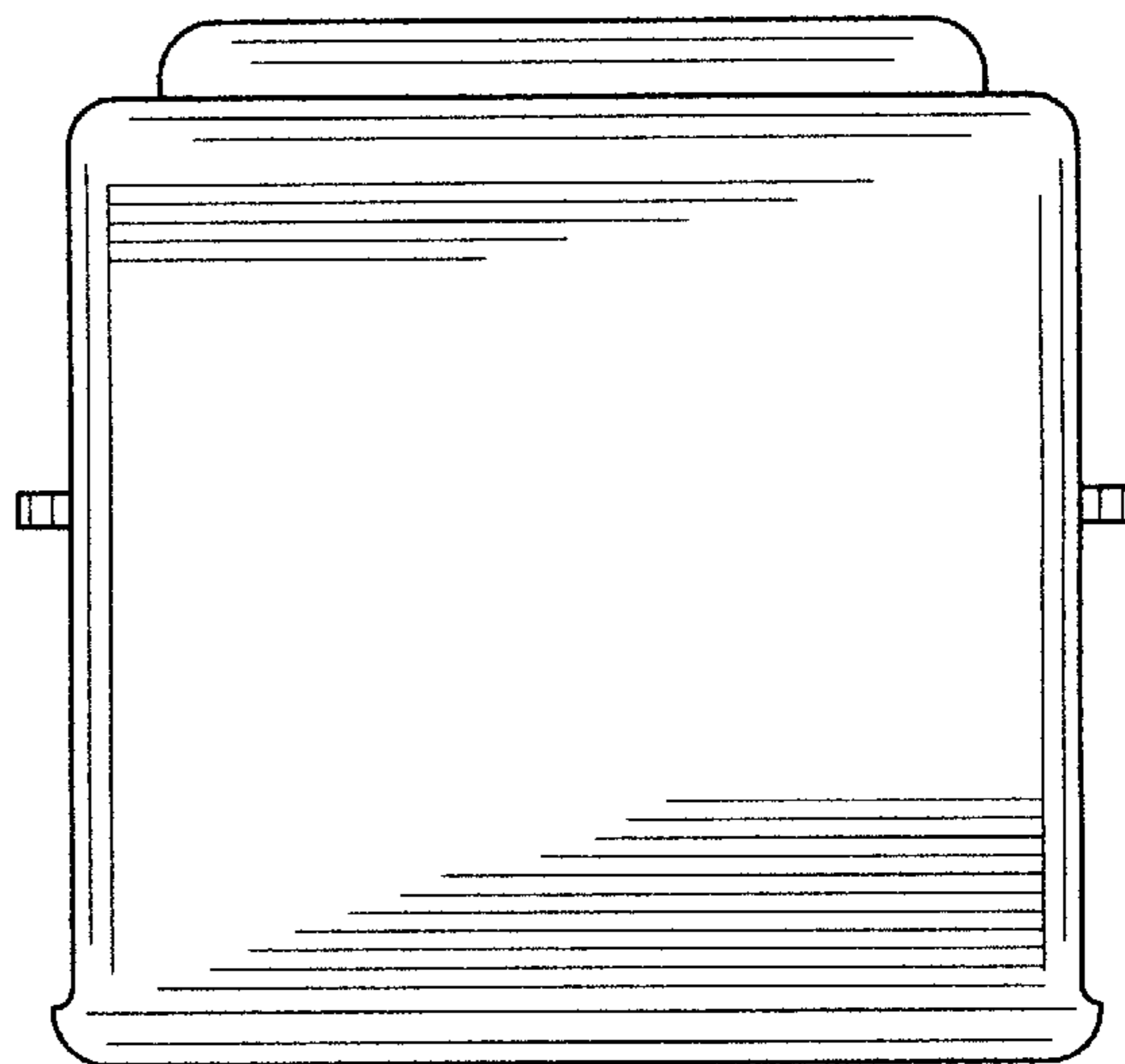


FIG. 6