



US00D419029S

United States Patent [19] Randolph

[11] **Patent Number: Des. 419,029**
[45] **Date of Patent: ** Jan. 18, 2000**

[54] **SOFT SPOUT FOR CUP**
[75] **Inventor: Ross Steven Randolph, Rockaway, N.J.**
[73] **Assignee: Playtex Products, Inc., Westport, Conn.**
[**] **Term: 14 Years**
[21] **Appl. No.: 29/084,202**
[22] **Filed: Feb. 26, 1998**

[51] **LOC (7) Cl. 07-01**
[52] **U.S. Cl. D7/392; D7/510; D7/511**
[58] **Field of Search D7/510, 511, 392, D7/392.1, 629, 900; D9/447; D24/197; 215/386, 387, 388; 220/703, 711, 713, 714**

[56] **References Cited**

U.S. PATENT DOCUMENTS

- D. 310,567 9/1990 Fitzpatrick .
- D. 315,213 3/1991 Ohnuki .
- D. 316,652 5/1991 Hunter .
- D. 327,393 6/1992 Green et al. .
- D. 354,416 1/1995 Cautereels et al. .
- D. 358,298 5/1995 Brown et al. .
- D. 359,417 6/1995 Chen .
- D. 361,469 8/1995 Young .
- D. 363,852 11/1995 Young D7/392.1
- D. 364,314 11/1995 Humphrey et al. .
- D. 377,737 2/1997 Kristnik D7/511
- D. 385,748 11/1997 Iodice et al. D7/510
- D. 387,247 12/1997 Randolph D7/510
- D. 397,906 9/1998 Briggs et al. D7/392.1
- D. 407,269 3/1999 Fletcher D7/510
- 1,409,812 3/1922 Anderson .
- 2,550,568 4/1951 Kersh .
- 2,569,139 9/1951 Abelson .
- 2,599,919 6/1952 Hucknall .

- 4,066,191 1/1978 Coleman .
- 4,243,156 1/1981 Lobbestael .
- 4,801,027 1/1989 Hunter .
- 4,850,496 7/1989 Rudell et al. .
- 4,961,510 10/1990 Dvoracek .
- 5,069,351 12/1991 Gunderson et al. .
- 5,150,800 9/1992 Sarter et al. .
- 5,169,026 12/1992 Patterson .
- 5,294,018 3/1994 Boucher .
- 5,316,160 5/1994 Cautereels .

FOREIGN PATENT DOCUMENTS

- 79710097.1 5/1979 European Pat. Off. .
- 609924 5/1926 France .
- 256897 8/1926 United Kingdom .
- 2 029 379 3/1980 United Kingdom .
- 2 187 722 3/1987 United Kingdom .

Primary Examiner—Cathron B. Matta
Attorney, Agent, or Firm—Ohlandt, Greeley, Ruggiero & Perle, L.L.P.

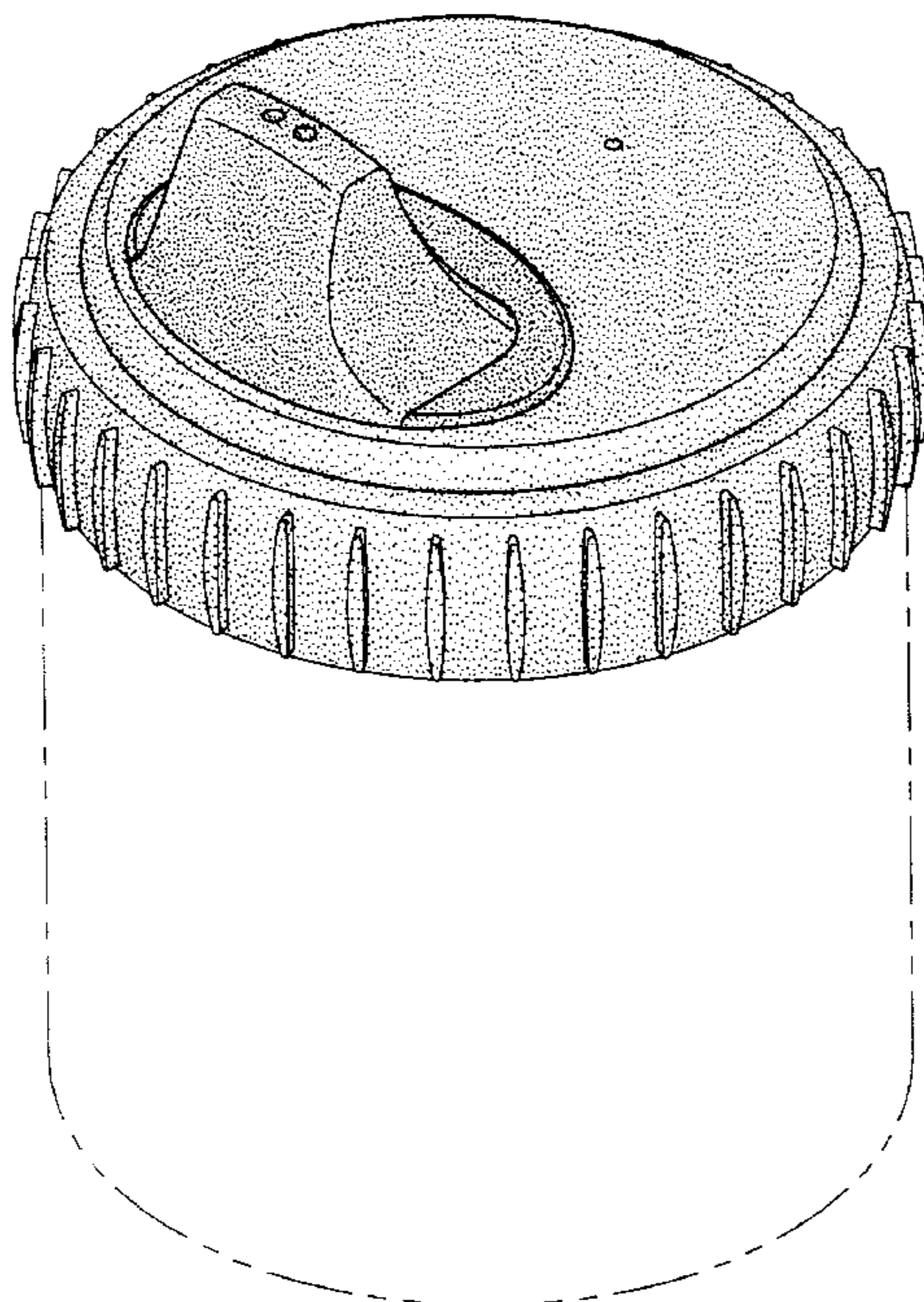
[57] **CLAIM**

The ornamental design for the soft spout for cup, as shown and described.

DESCRIPTION

FIG. 1 is a perspective view of a soft spout for cup showing my new design, with the broken line showing of a cup being for illustrative purposes only and forming no part of the claimed design;
FIG. 2 is another perspective view of the soft spout for cup of FIG. 1;
FIG. 3 is a front view of the soft spout for cup of FIG. 1;
FIG. 4 is a back view of the soft spout for cup of FIG. 1;
FIG. 5 is a side view of the soft spout for cup of FIG. 1;
FIG. 6 is a top view of the soft spout for cup of FIG. 1; and,
FIG. 7 is a bottom view of the soft spout for cup of FIG. 1.

1 Claim, 3 Drawing Sheets



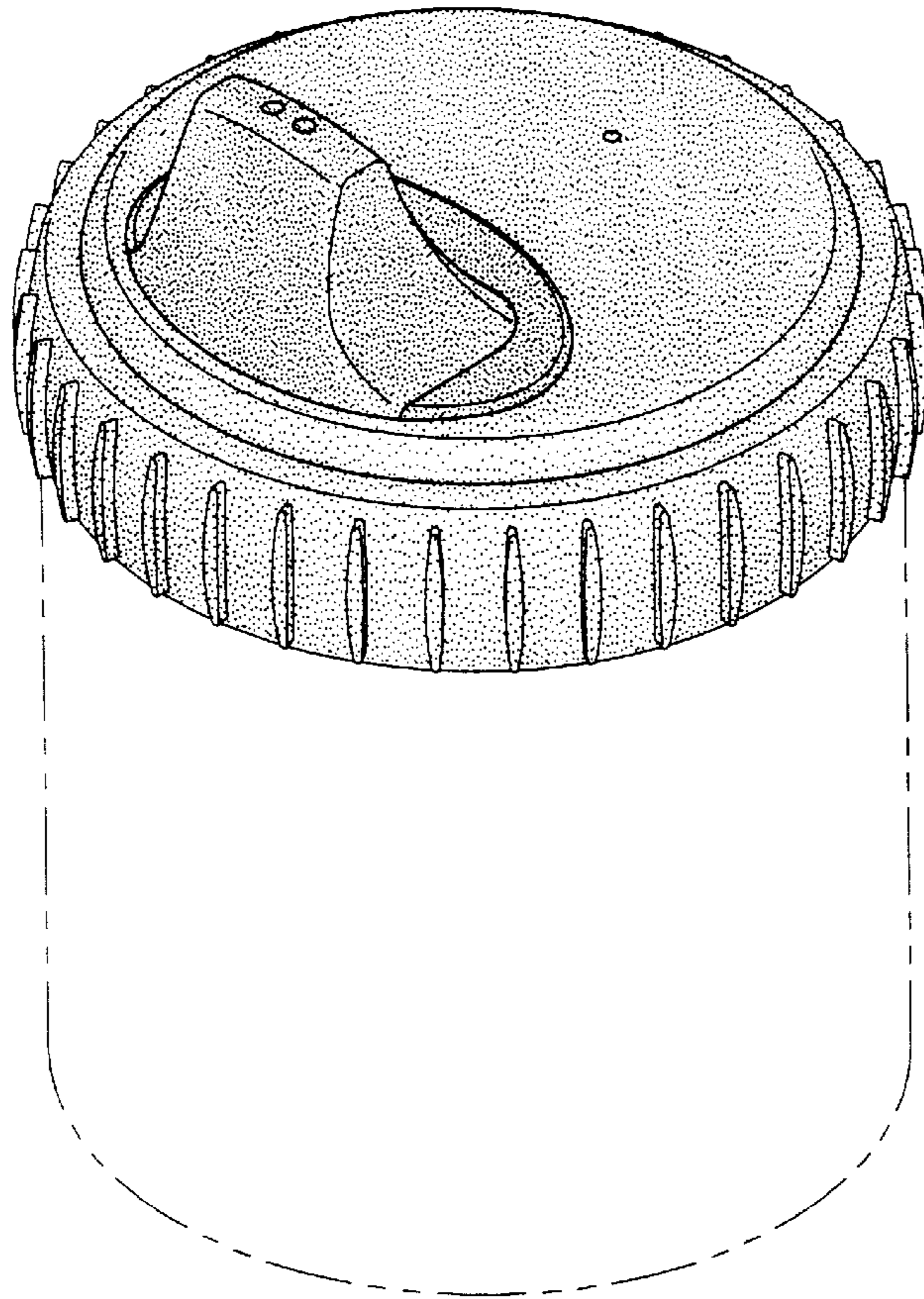


FIG. 1

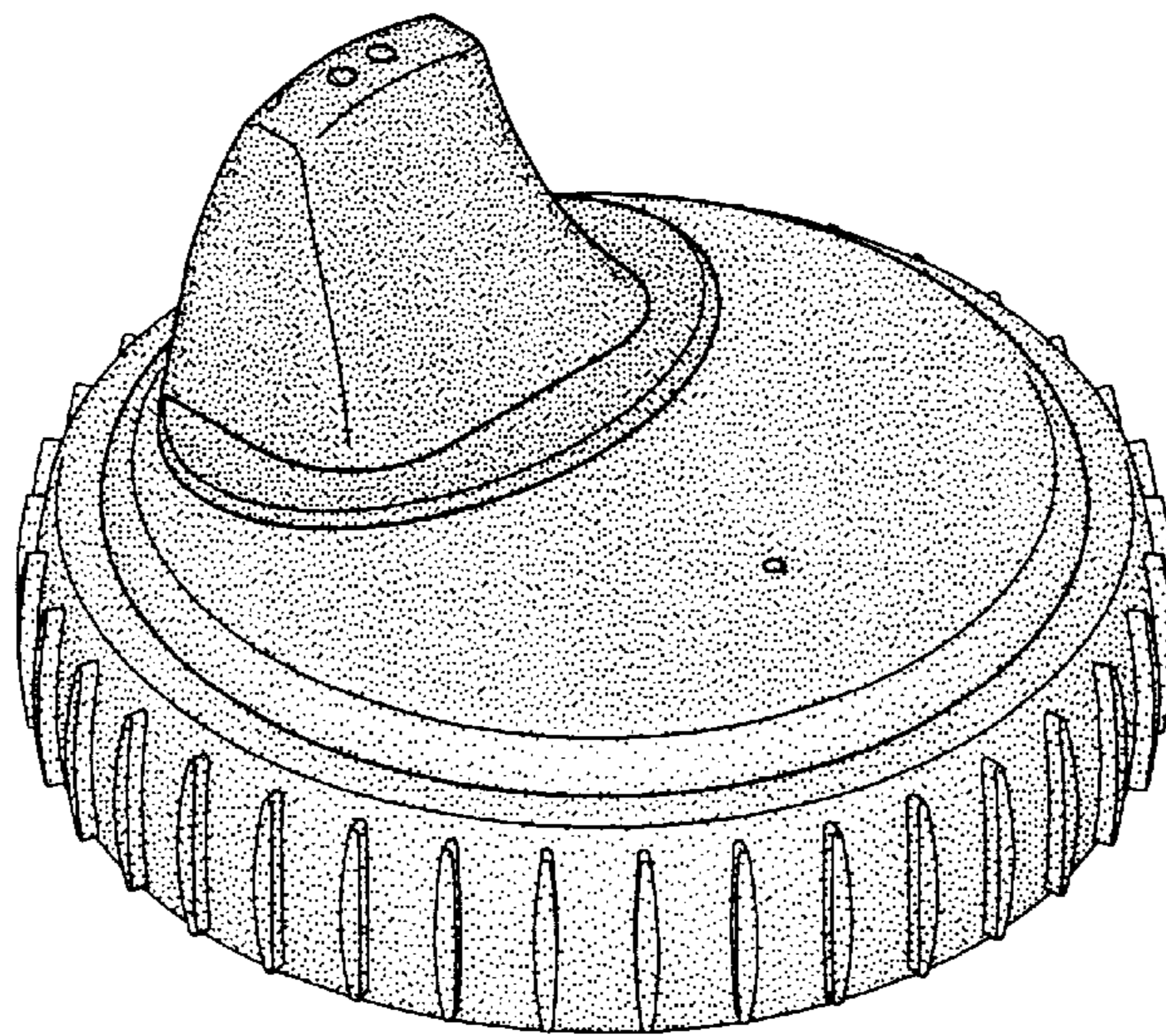


FIG. 2

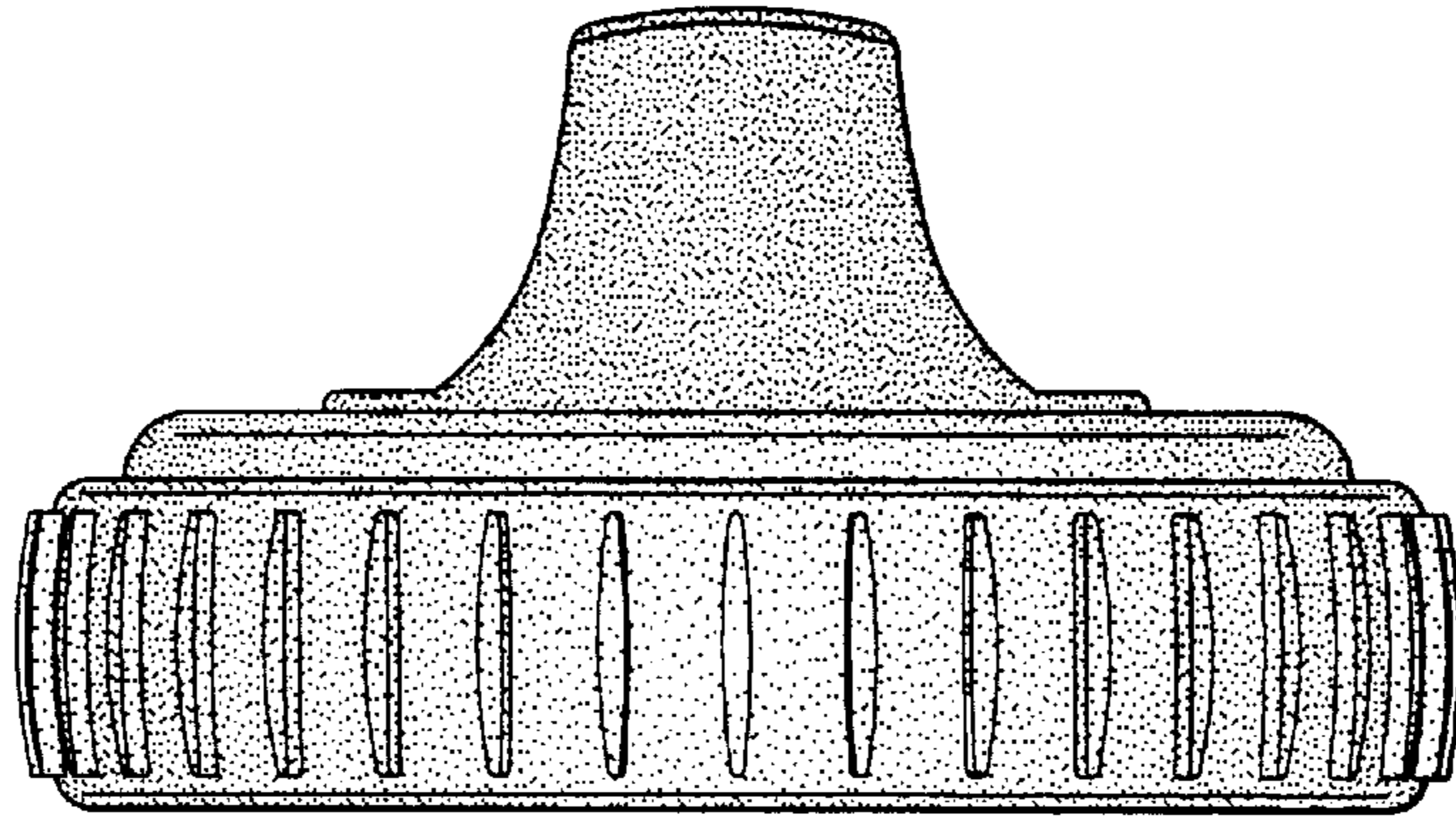


FIG. 3

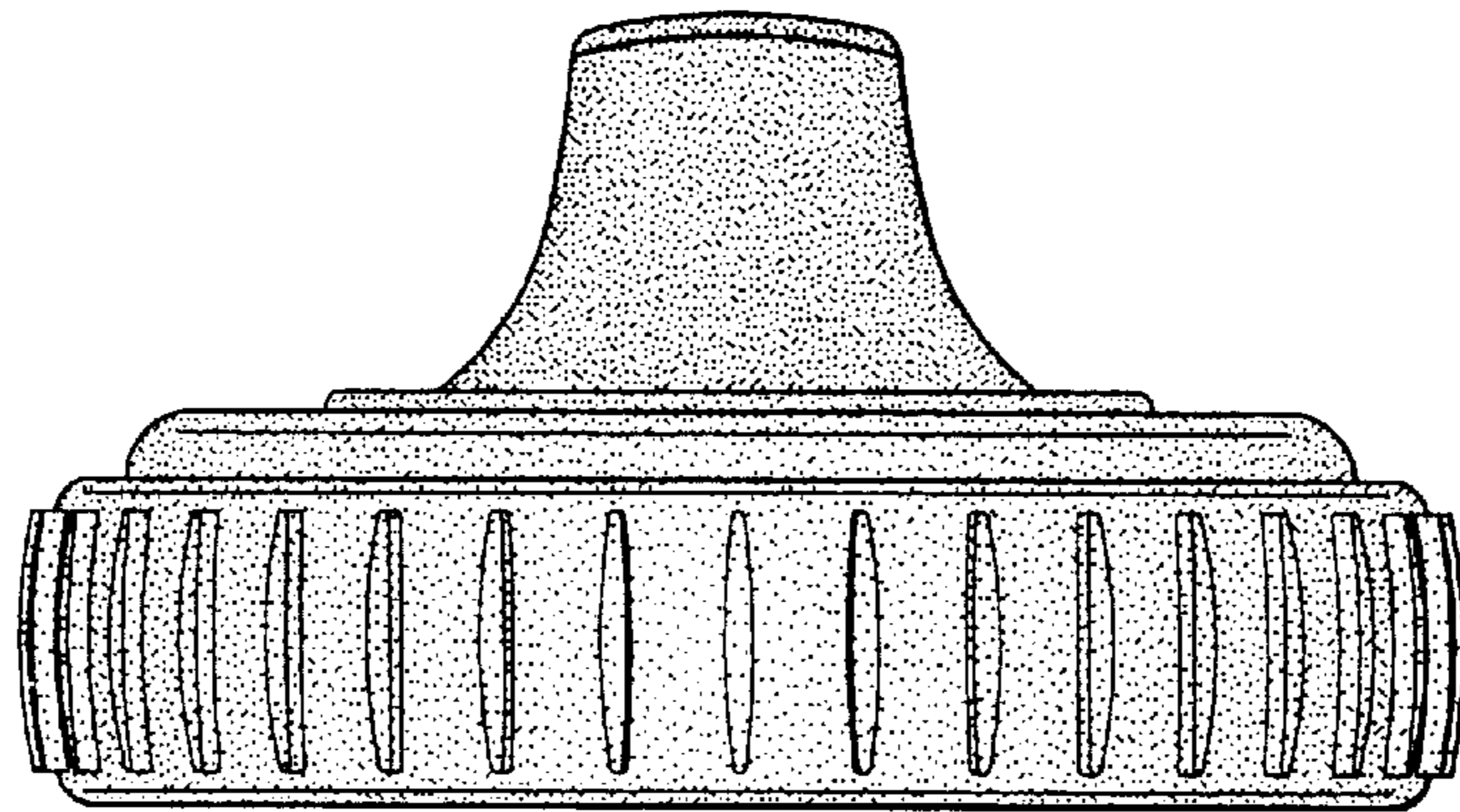


FIG. 4

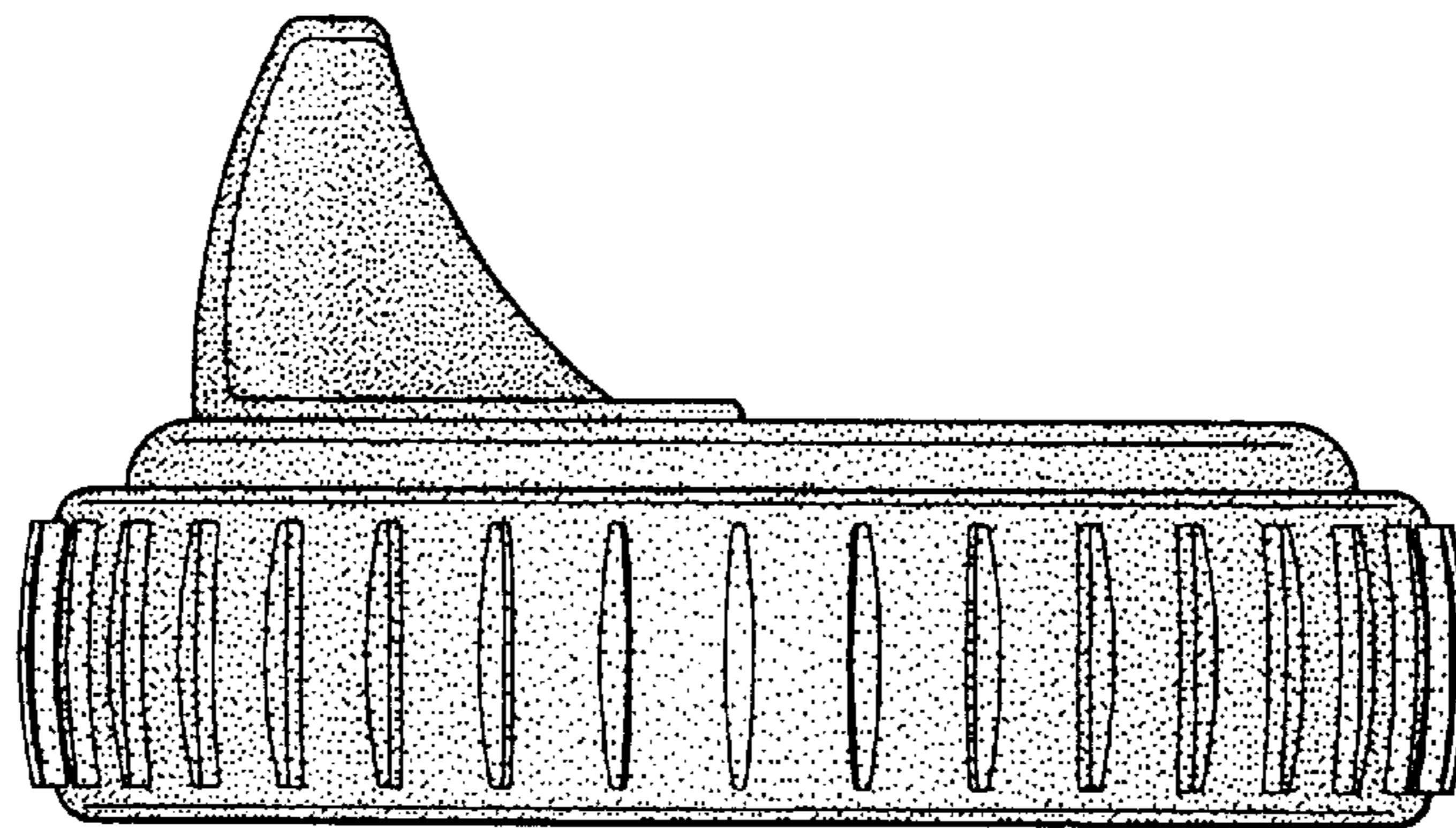


FIG. 5

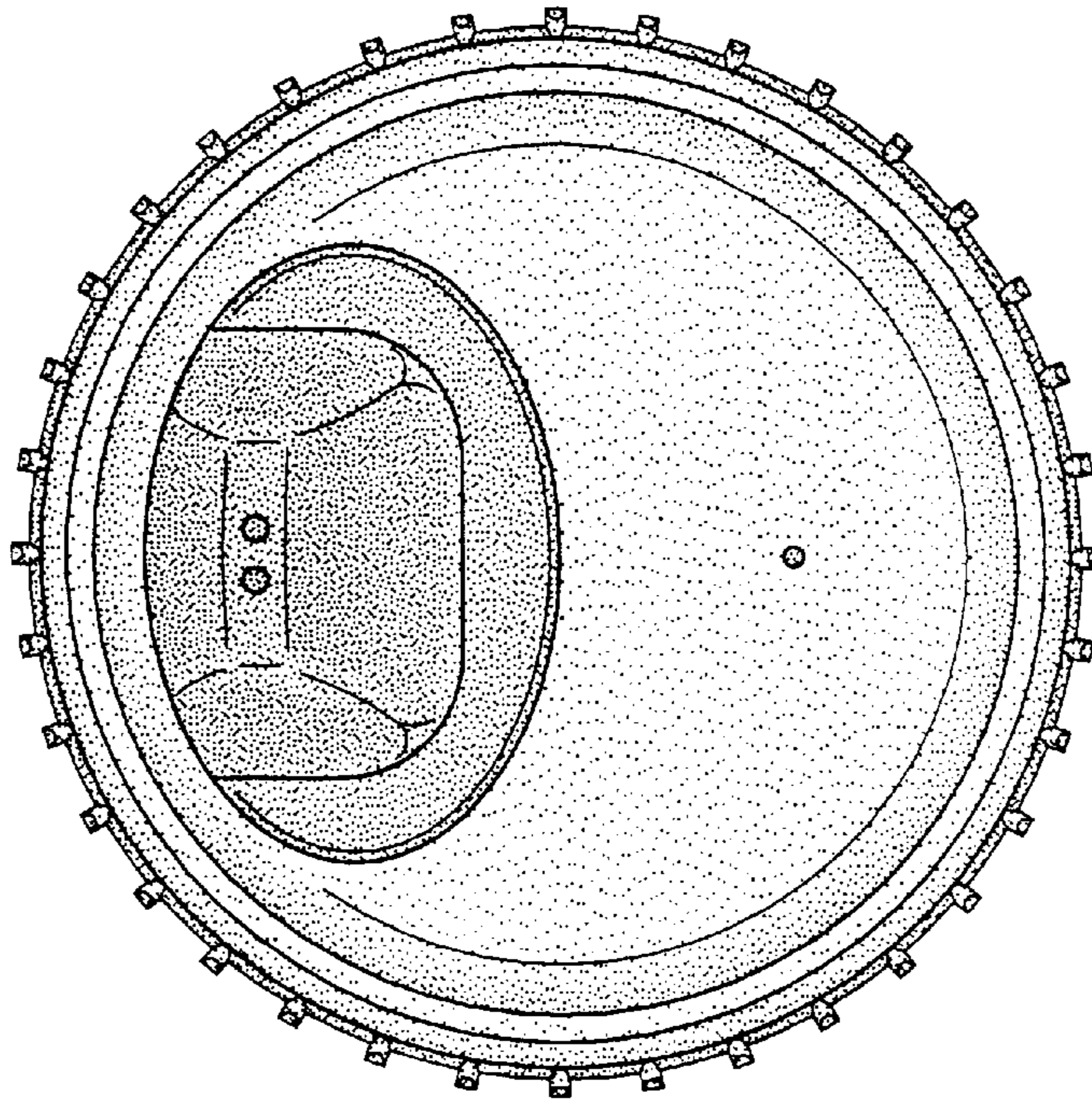


FIG. 6

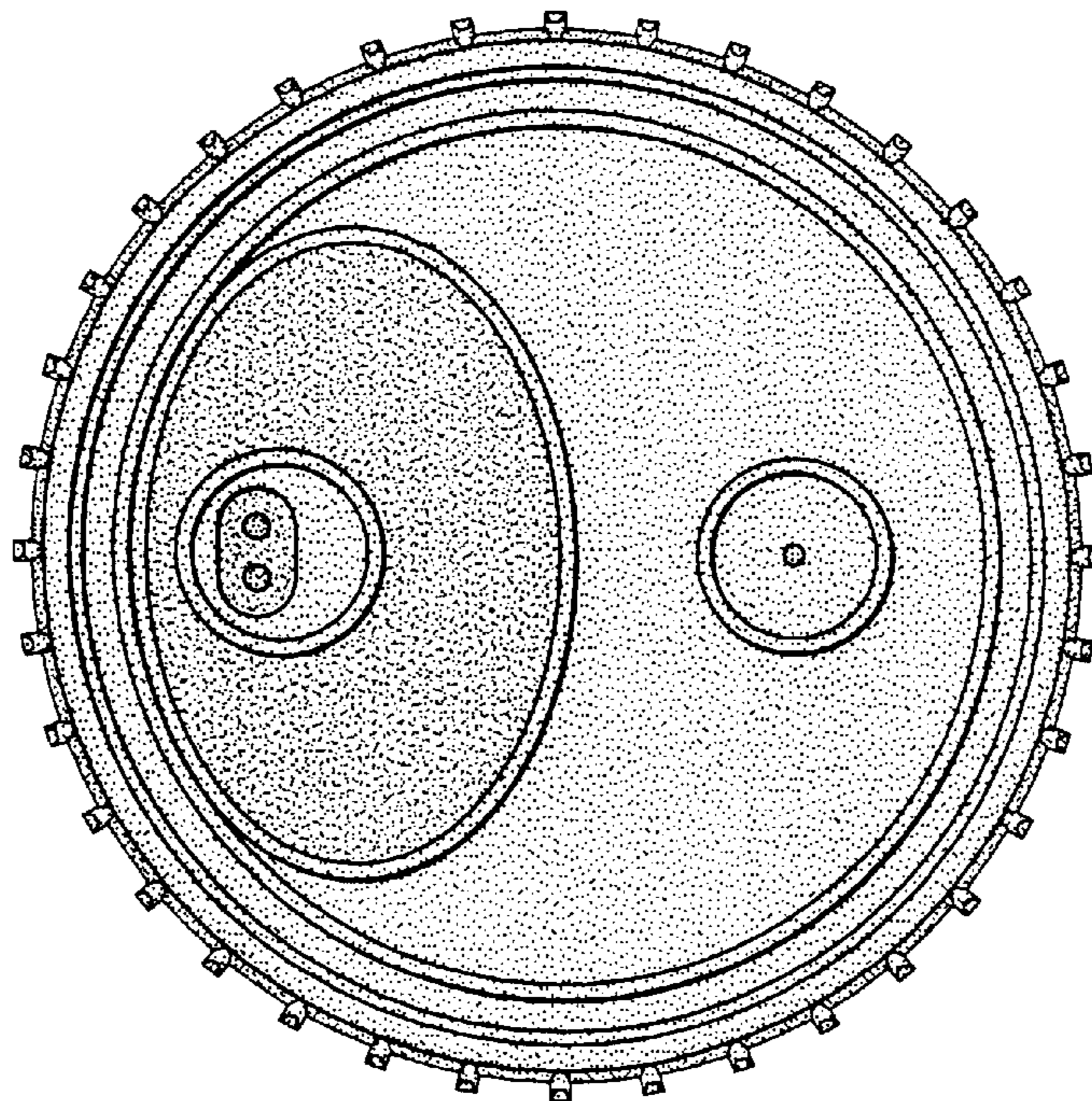


FIG. 7