



US00D419028S

United States Patent [19]

[11] Patent Number: Des. 419,028

Mork et al.

[45] Date of Patent: ** Jan. 18, 2000

[54] THERMAL CARAFE

[75] Inventors: Steve O. Mork, Lowell, Mich.;
Thomas G. Volk, Germantown; Allen
C. Eimerman, Fond du Lac, both of
Wis.

[73] Assignee: Amway Corporation, Ada, Mich.

[**] Term: 14 Years

[21] Appl. No.: 29/097,351

[22] Filed: Dec. 4, 1998

[51] LOC (7) Cl. 07-01

[52] U.S. Cl. D7/321; D7/312; D7/319

[58] Field of Search D7/312, 316, 317,
D7/318, 319, 321, 322, 598, 600, 590,
309, 310, 311, 300; 99/295, 289 R, 279;
210/474; 222/454, 465.1, 469

- D. 367,798 3/1996 Storsberg .
- D. 369,058 4/1996 Simmons .
- D. 369,268 4/1996 Assmann et al. .
- D. 371,271 7/1996 Seiffert et al. .
- D. 375,016 10/1996 Ullmann .
- D. 378,722 4/1997 Brady .
- D. 386,934 12/1997 Huang D7/319
- D. 387,946 12/1997 Hippen .
- D. 389,005 1/1998 Brady .
- D. 390,409 2/1998 Littmann D7/309
- D. 393,174 4/1998 Mork et al. D7/318
- D. 394,981 6/1998 Huang .
- D. 394,982 6/1998 Huang .
- D. 398,473 9/1998 Henderson D7/309 X
- D. 403,199 12/1998 Micoley D7/309
- D. 406,982 3/1999 Littmann D7/309
- D. 407,596 4/1999 Hsu D7/309
- D. 411,404 6/1999 Littmann D7/319
- 3,114,484 12/1963 Serio .
- 3,321,115 5/1967 Rendahl .
- 4,251,004 2/1981 Sun .
- 4,825,757 5/1989 Stoner .
- 4,833,978 5/1989 Martone et al. .
- 5,503,060 4/1996 Morecroft et al. .

[56] References Cited

U.S. PATENT DOCUMENTS

- D. 134,876 1/1943 Schneider .
- D. 186,182 9/1959 Wickenberg .
- D. 193,523 9/1962 Douglas .
- D. 219,056 10/1970 Gibson .
- D. 225,365 12/1972 Beckman .
- D. 228,053 8/1973 Knox .
- D. 233,974 12/1974 Kiernan .
- D. 241,400 9/1976 Painter .
- D. 241,401 9/1976 Painter .
- D. 266,978 11/1982 Huisman .
- D. 286,732 11/1986 Darnell .
- D. 292,664 11/1987 Zimmermann .
- D. 303,903 10/1989 Ueda et al. D7/309
- D. 318,973 8/1991 Hasslacher D7/308
- D. 345,881 4/1994 Maass D7/309
- D. 354,879 1/1995 Ullmann .
- D. 355,329 2/1995 Ullmann .
- D. 356,712 3/1995 Brady D7/309
- D. 358,736 5/1995 Kahlcke D7/309

Primary Examiner—M. N. Pandozzi
Attorney, Agent, or Firm—Warner Norcross & Judd LLP

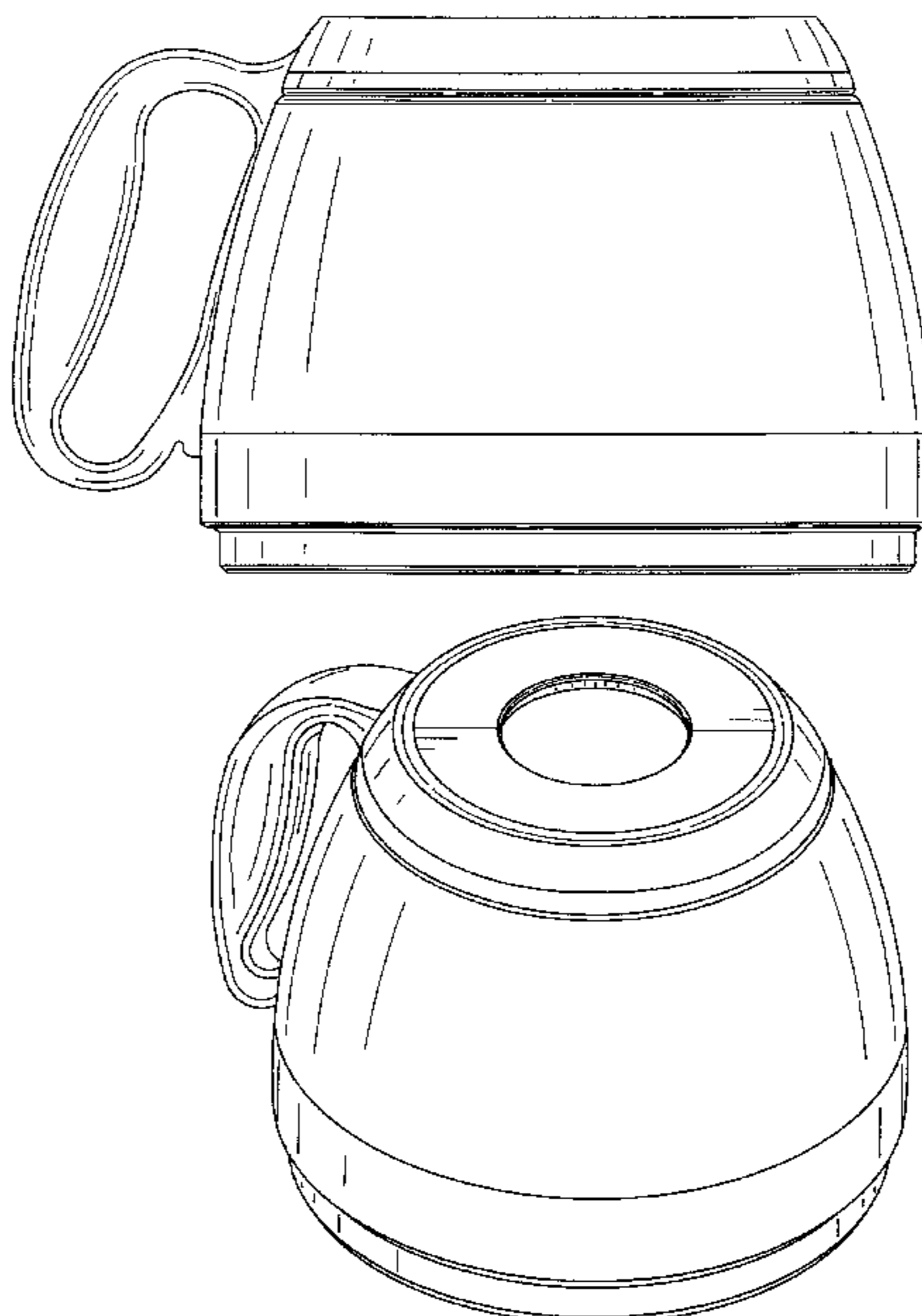
[57] CLAIM

The ornamental design for thermal carafe, as shown and described.

DESCRIPTION

FIG. 1 is a top plan view of the thermal carafe embodying the new design;
FIG. 2 is a bottom plan view thereof;
FIG. 3 is a front elevational view thereof;
FIG. 4 is a rear elevational view thereof;
FIG. 5 is a right side elevational view thereof;
FIG. 6 is a left side elevational view thereof;
FIG. 7 is a top perspective view thereof; and,
FIG. 8 is a bottom perspective view thereof.

1 Claim, 6 Drawing Sheets



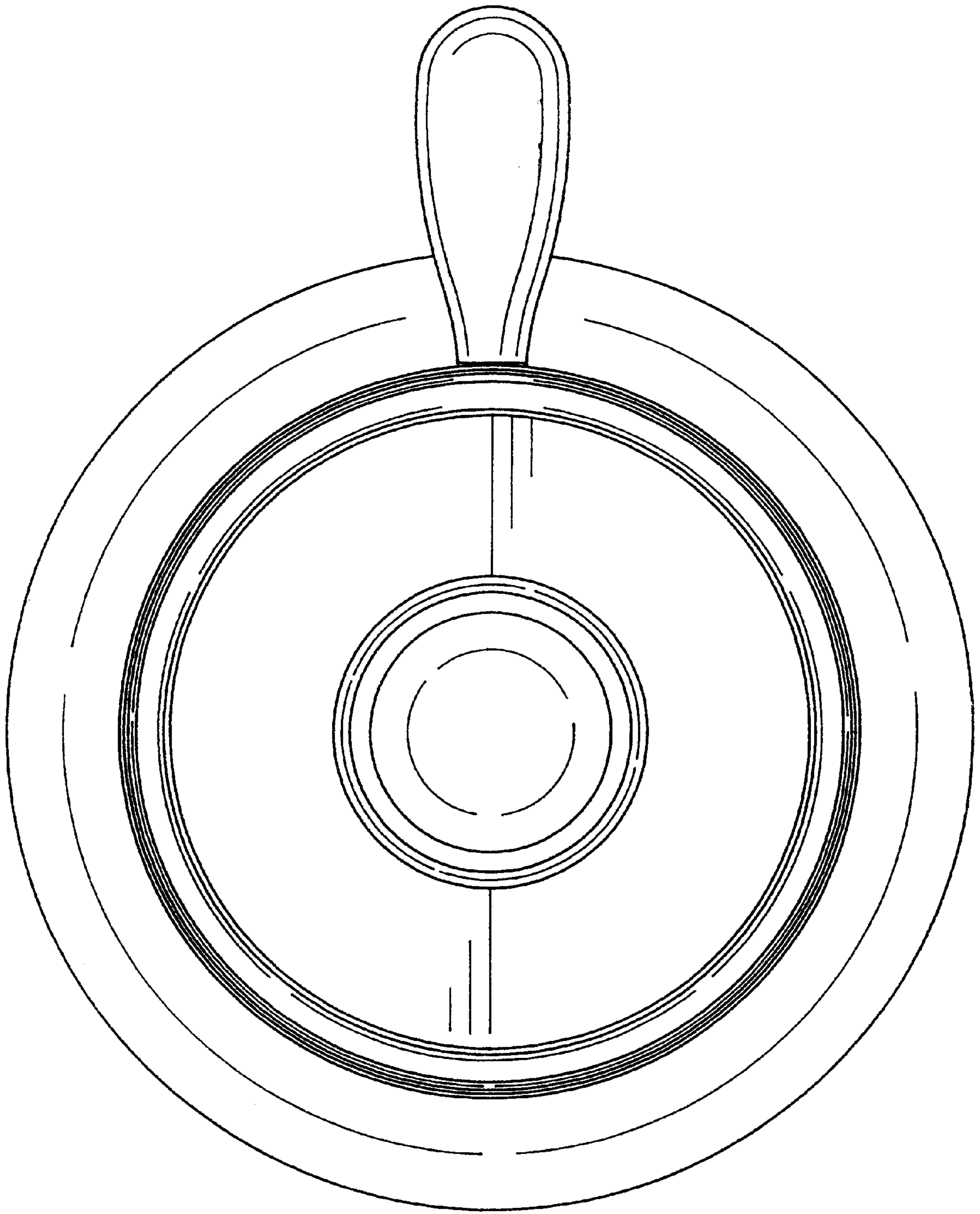


FIG. 1

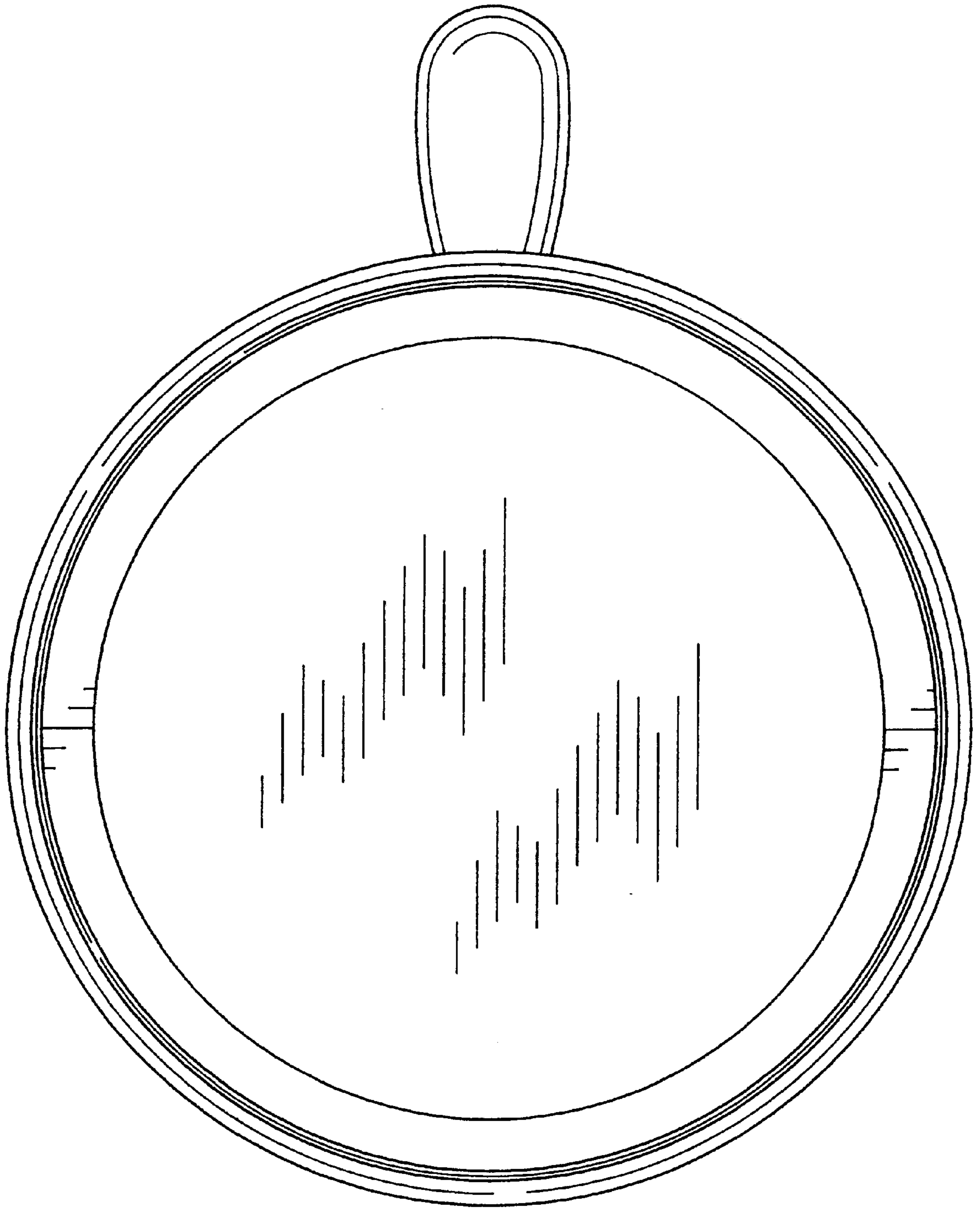


FIG. 2

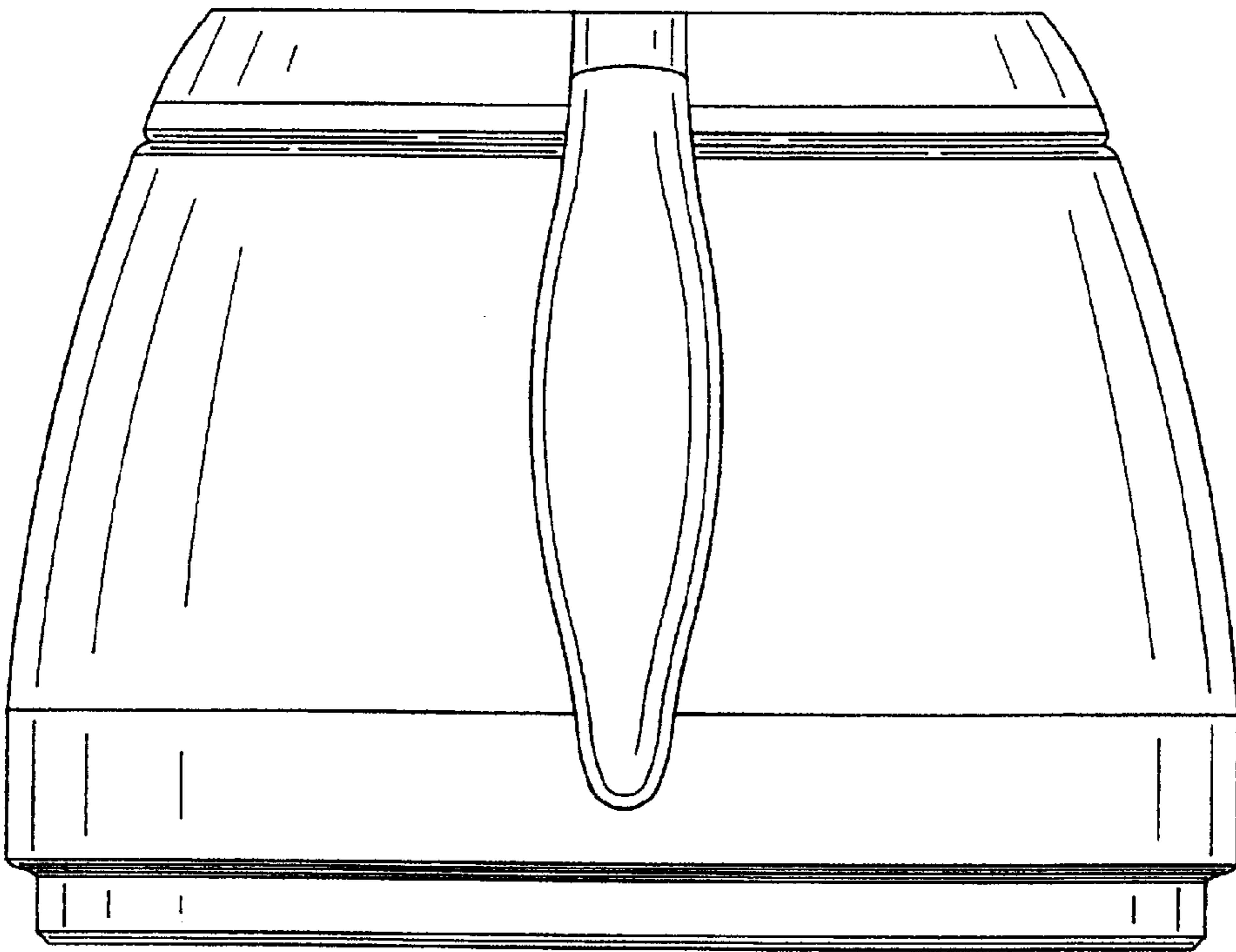


FIG. 3

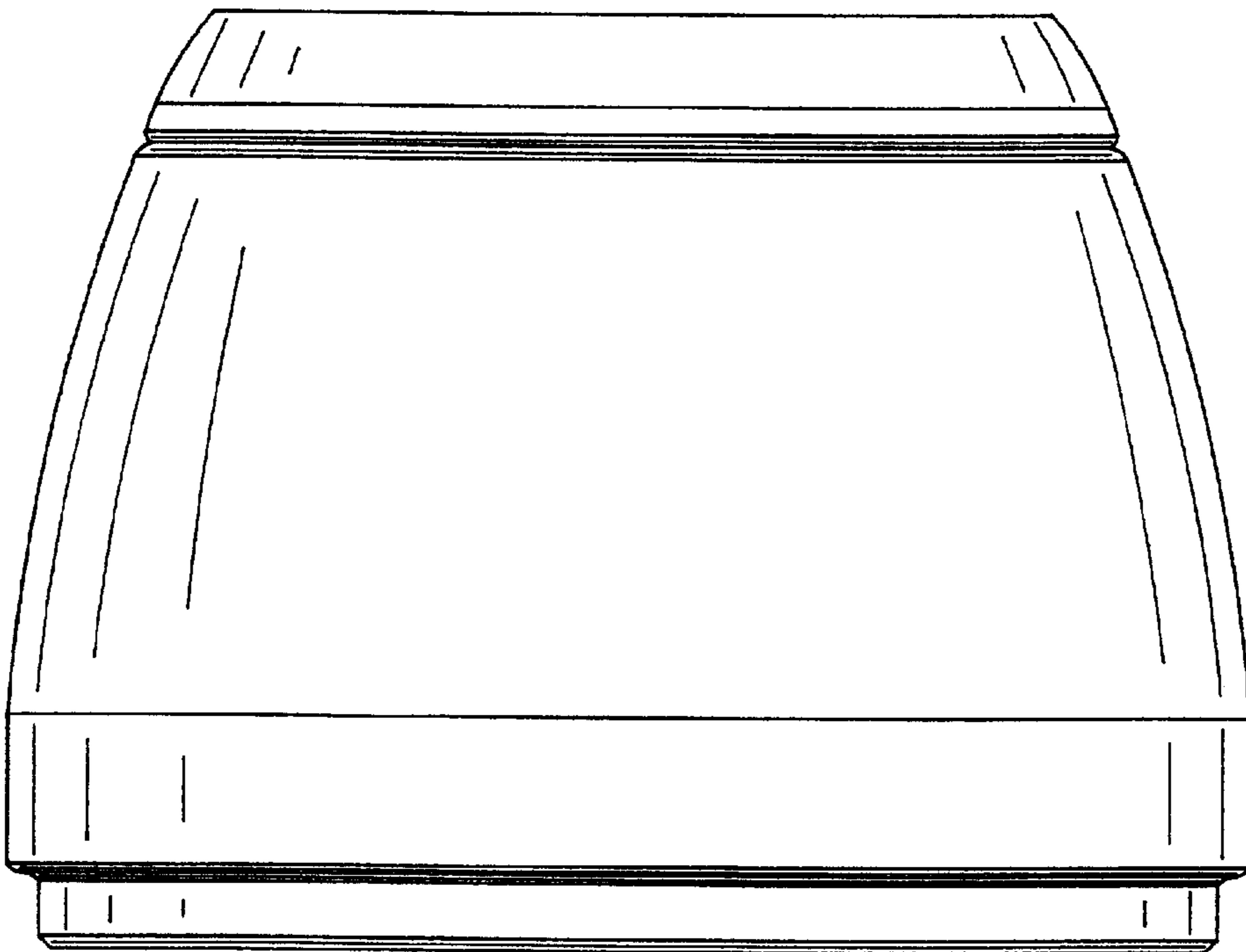


FIG. 4

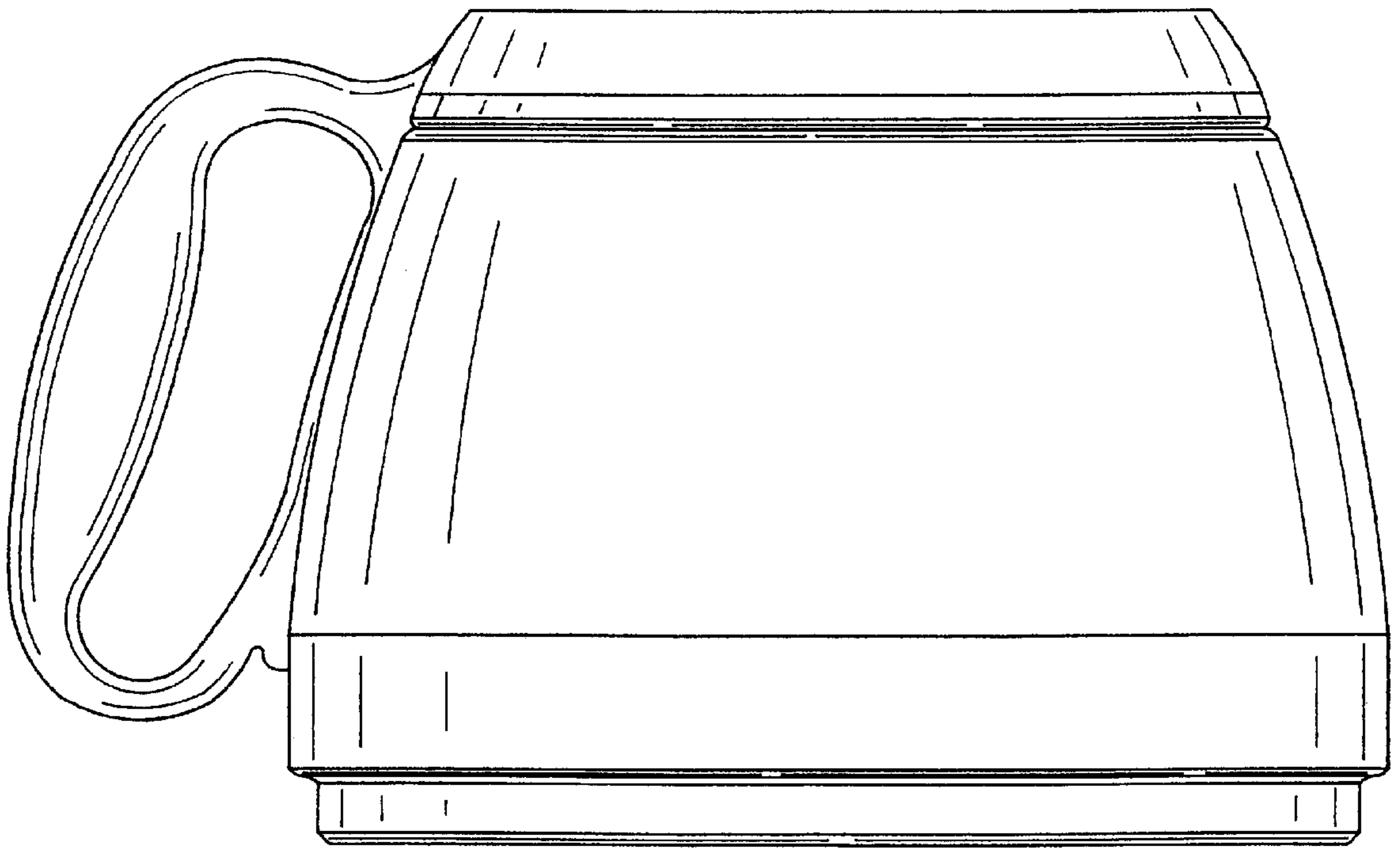


FIG. 5

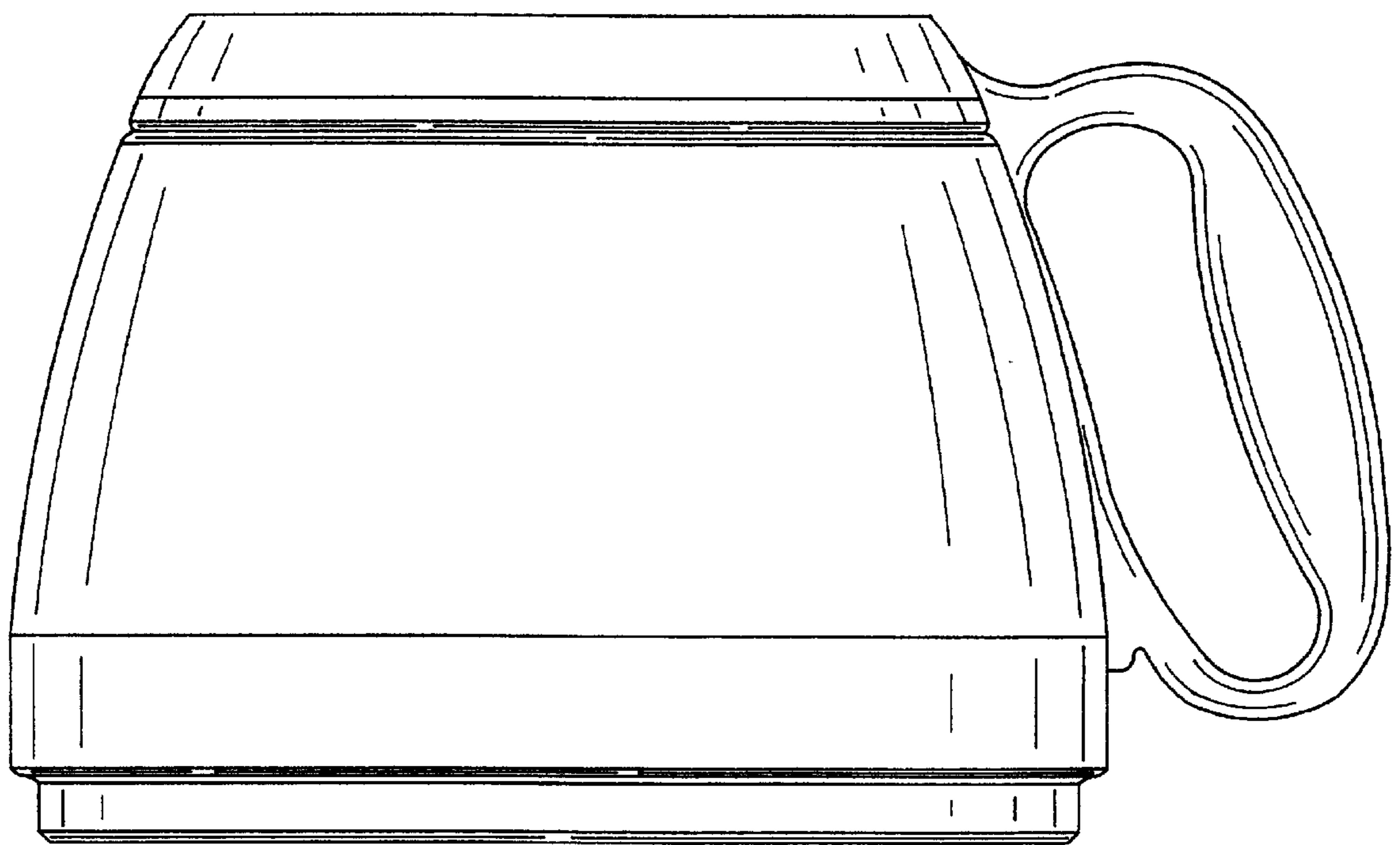


FIG. 6

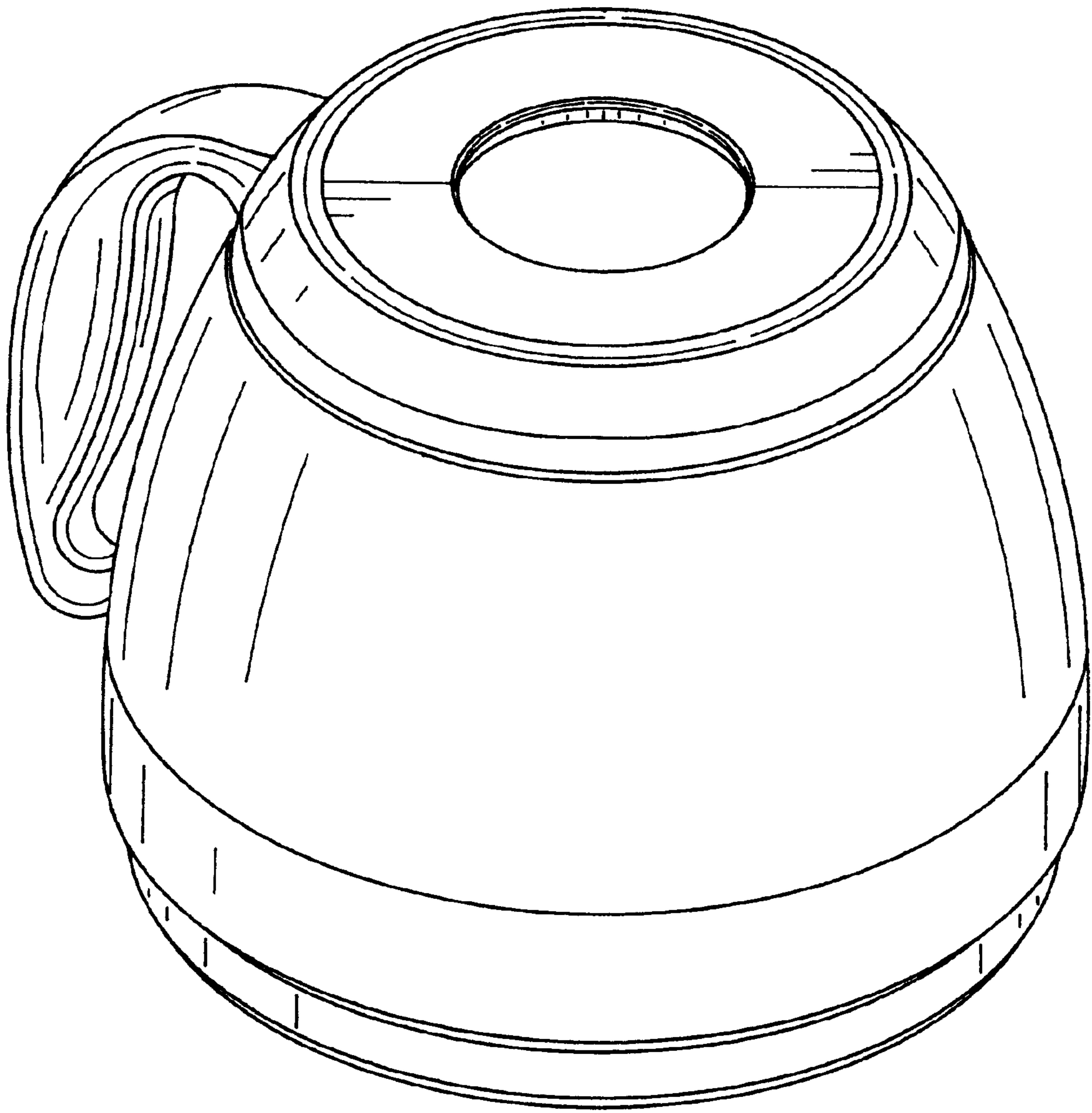


FIG. 7

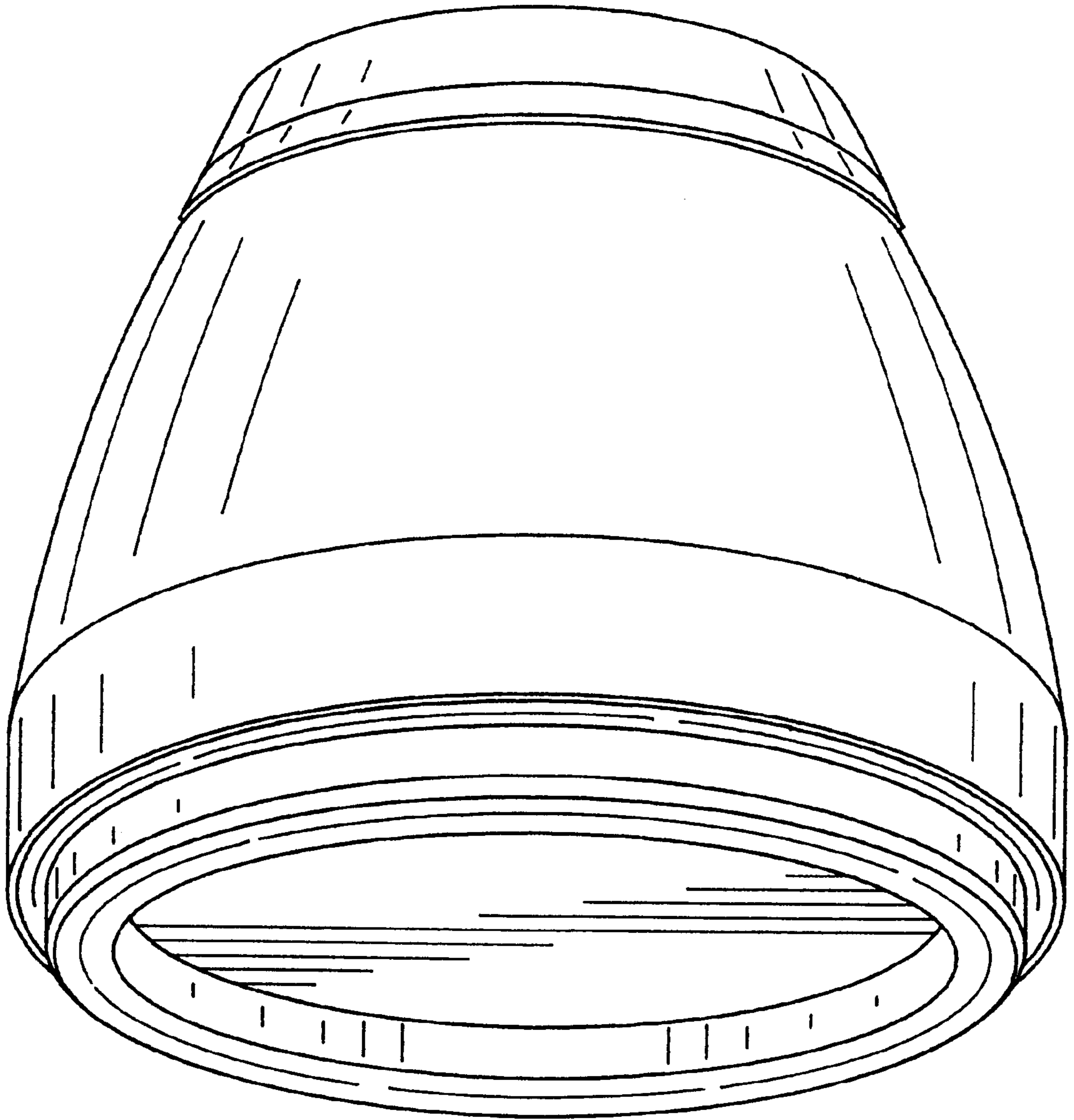


FIG. 8