



US00D419027S

United States Patent [19]

Haslem et al.

[11] Patent Number: **Des. 419,027**

[45] Date of Patent: **** Jan. 18, 2000**

[54] **PITCHER**

[75] Inventors: **Deborah E. Haslem**, Redwood City, Calif.; **Alan D. Ball**, Summerville; **Charles W. Sears**, Boxford, both of Mass.

[73] Assignee: **The Clorox Company**, Oakland, Calif.

[**] Term: **14 Years**

[21] Appl. No.: **29/103,692**

[22] Filed: **Apr. 20, 1999**

[51] **LOC (7) Cl.** **07-01**

[52] **U.S. Cl.** **D7/319; D7/317**

[58] **Field of Search** D7/312, 314, 317, D7/318, 319, 321, 322, 598, 600, 590, 309, 310, 311; 99/295, 289 R, 279; 210/474; 222/454, 465.1, 469, 131; D23/209

[56] **References Cited**

U.S. PATENT DOCUMENTS

| | | | |
|------------|---------|----------------------|----------|
| D. 173,455 | 11/1954 | Reinecke et al. | D7/318 |
| D. 331,446 | 12/1992 | Gidman | D23/209 |
| D. 336,760 | 6/1993 | Raunkjaer | D7/317 X |
| D. 386,041 | 11/1997 | Tanner et al. | D7/319 |
| D. 388,655 | 1/1998 | Flom et al. | D7/319 |

| | | | |
|------------|---------|------------------------|---------|
| D. 398,184 | 9/1998 | Silverberg et al. | D7/319 |
| D. 400,392 | 11/1998 | Robertson et al. | D7/319 |
| D. 406,003 | 2/1999 | Tanner et al. | D7/319 |
| 2,805,561 | 9/1957 | Emmert et al. | 222/131 |
| 3,861,565 | 1/1975 | Rickmeier, Jr. | 222/131 |

Primary Examiner—M. N. Pandozzi
Attorney, Agent, or Firm—Michael Mazza, Esq.

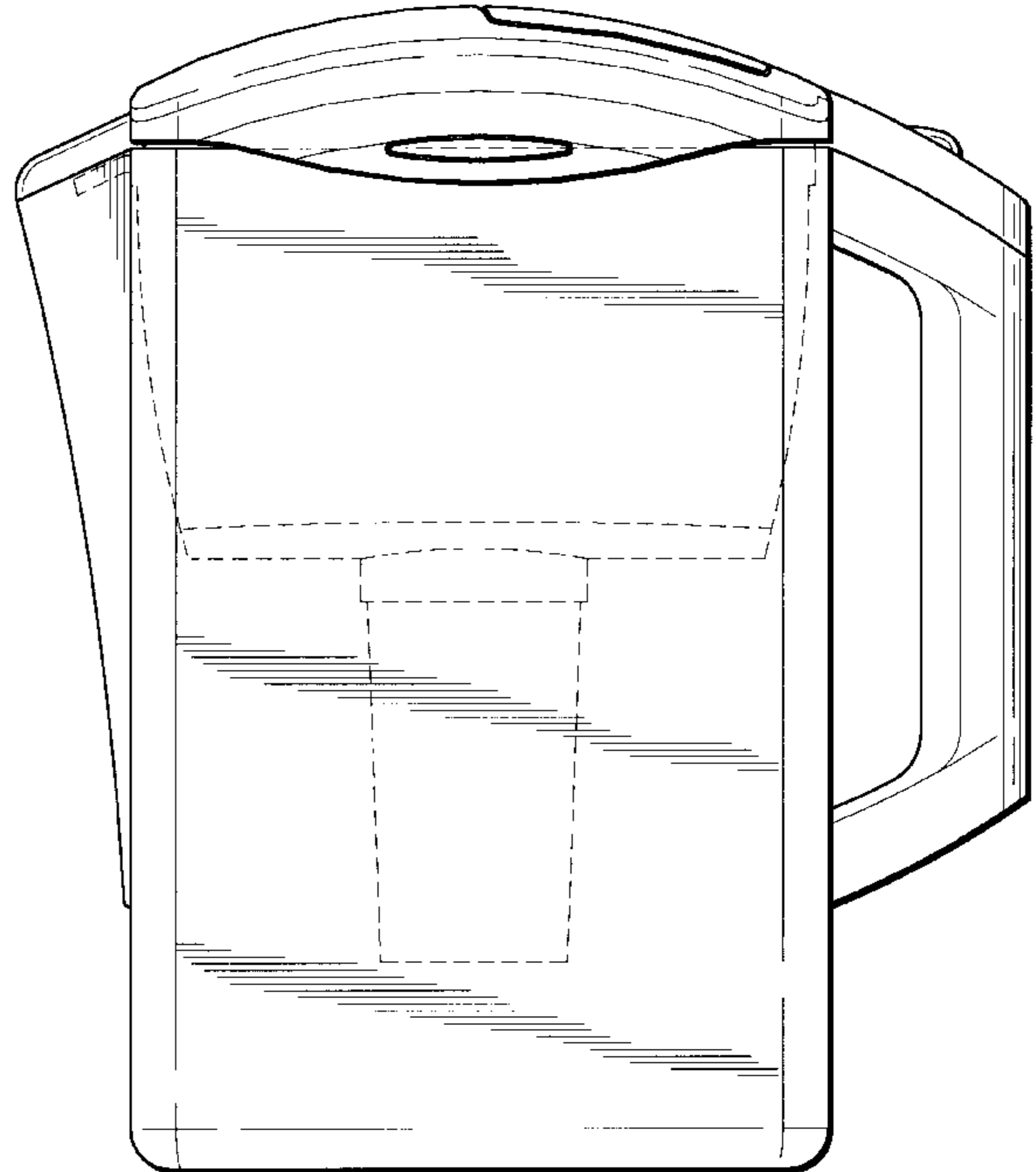
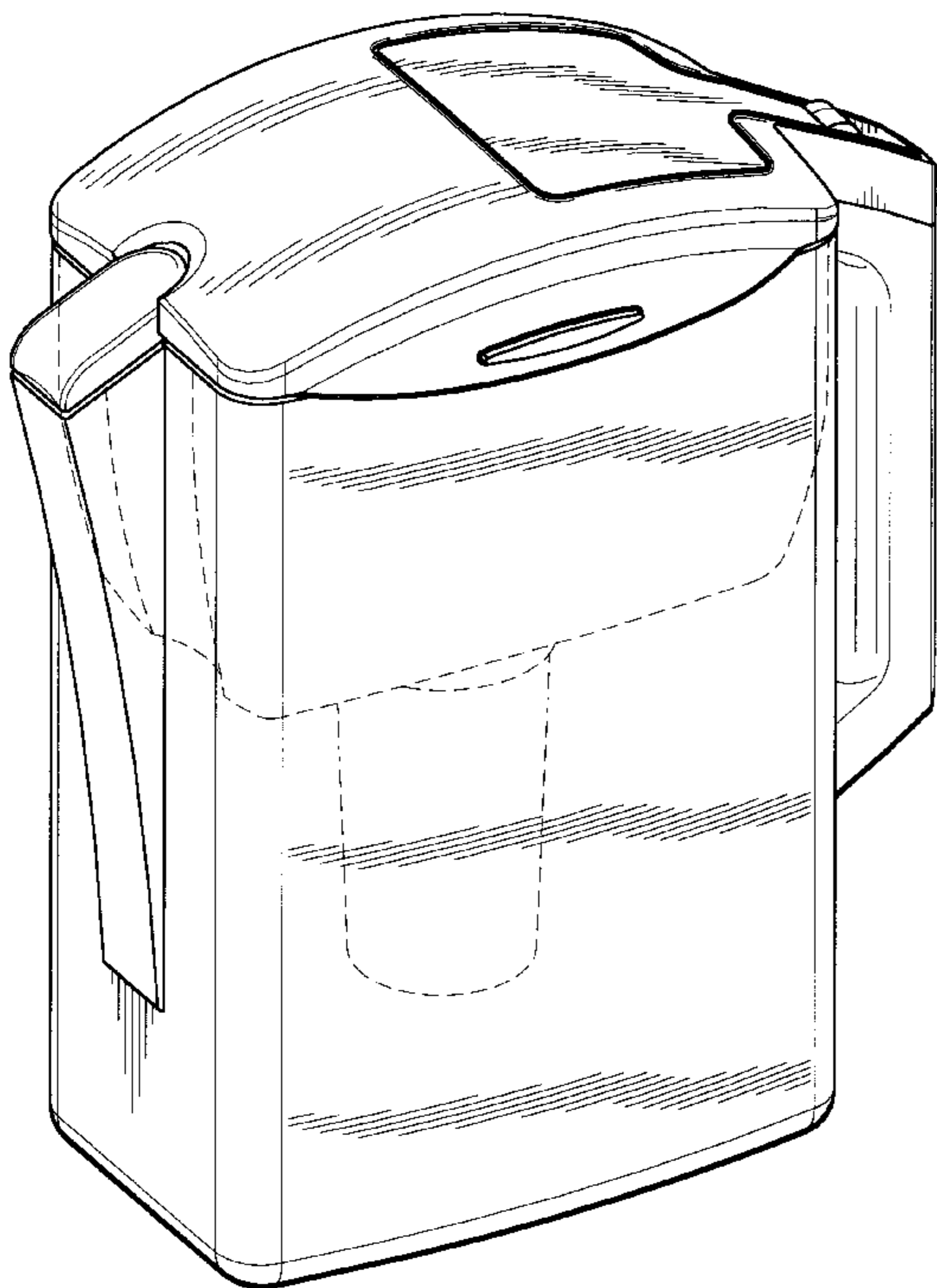
[57] **CLAIM**

The ornamental design for a pitcher, as described and shown.

DESCRIPTION

FIG. 1 is a perspective view of a first embodiment of a pitcher manifesting our new design;
FIG. 2 is a side elevational view of the pitcher shown in FIG. 1;
FIG. 3 is a side elevational view of the pitcher shown in FIG. 1, FIG. 3 being the side opposite to that of FIG. 2;
FIG. 4 is a top plan view of the pitcher shown in FIG. 1;
FIG. 5 is a bottom plan view of the pitcher shown in FIG. 1;
FIG. 6 is a back elevational view of the pitcher shown in FIG. 1; and,
FIG. 7 is a front elevational view of the pitcher shown in FIG. 1.

1 Claim, 4 Drawing Sheets



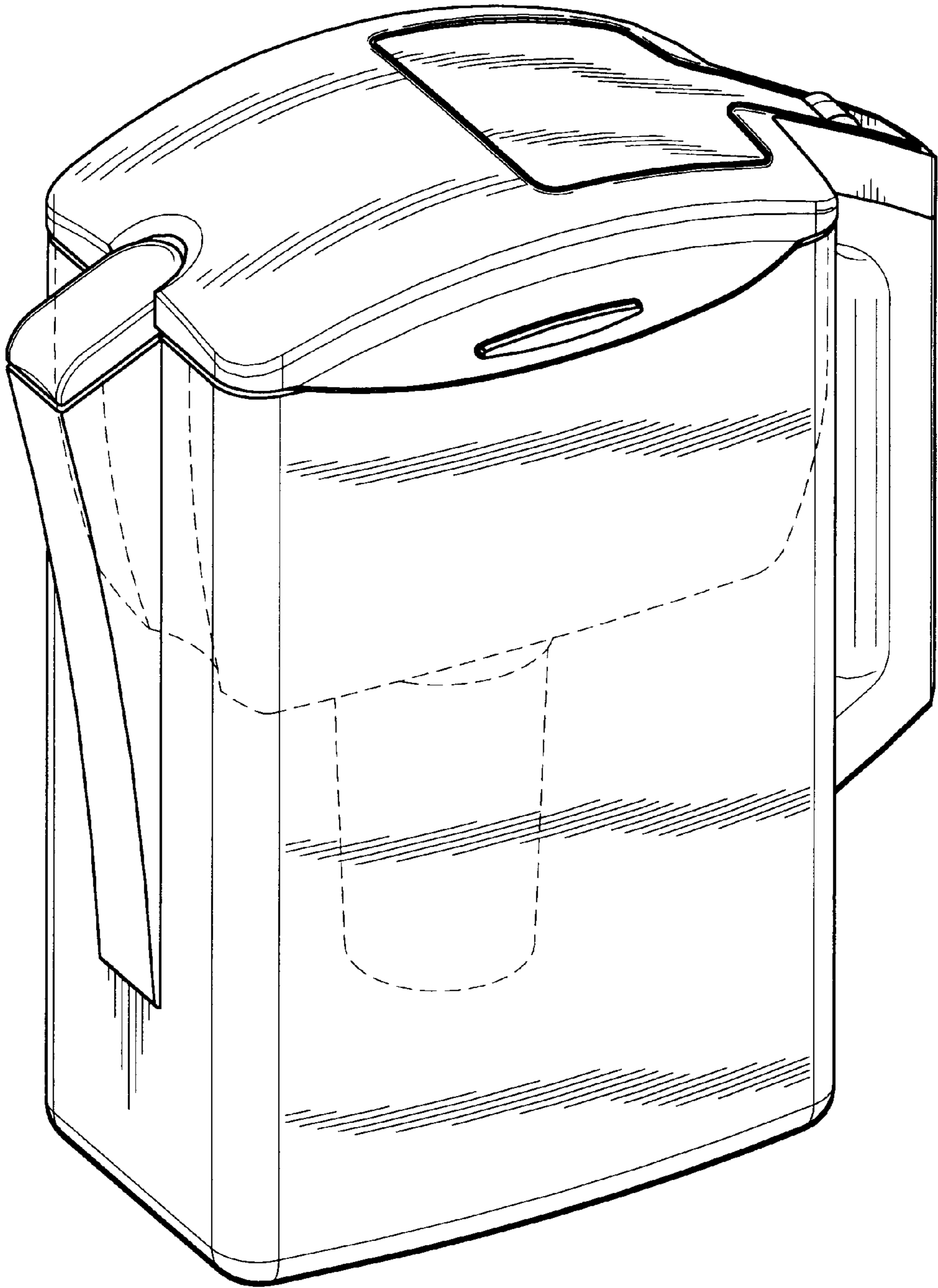


FIG. - 1

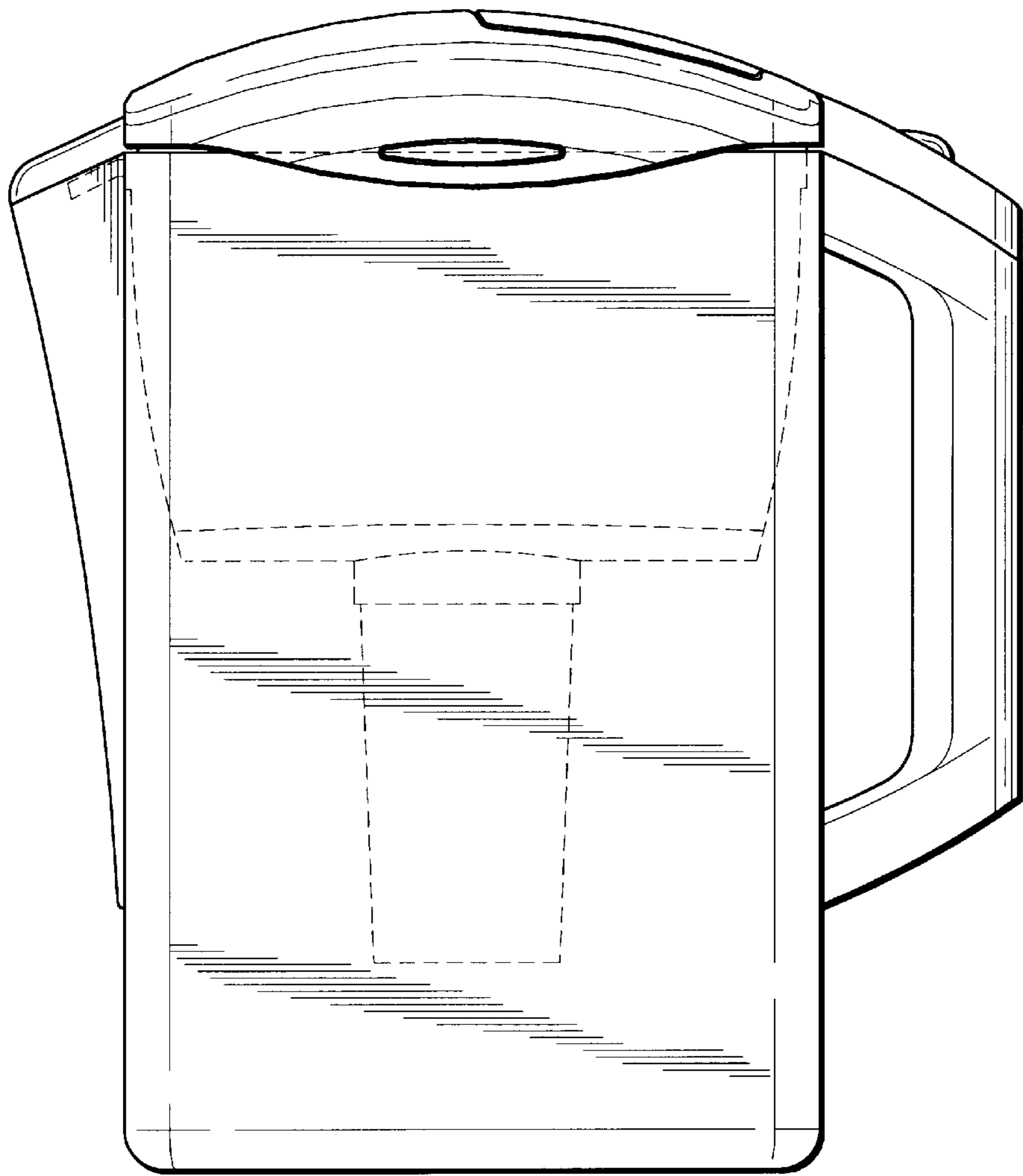


FIG. -2

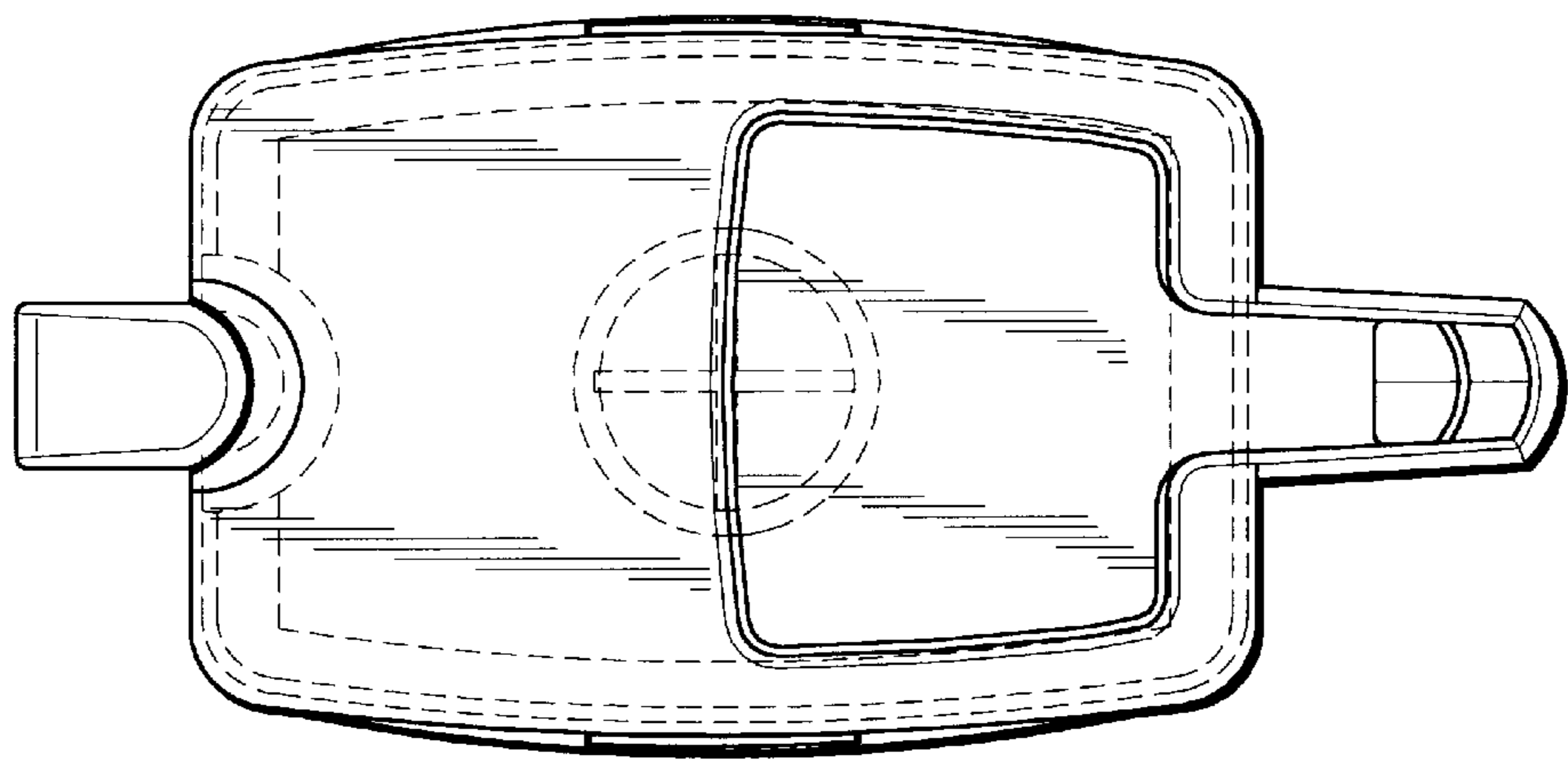


FIG. -4

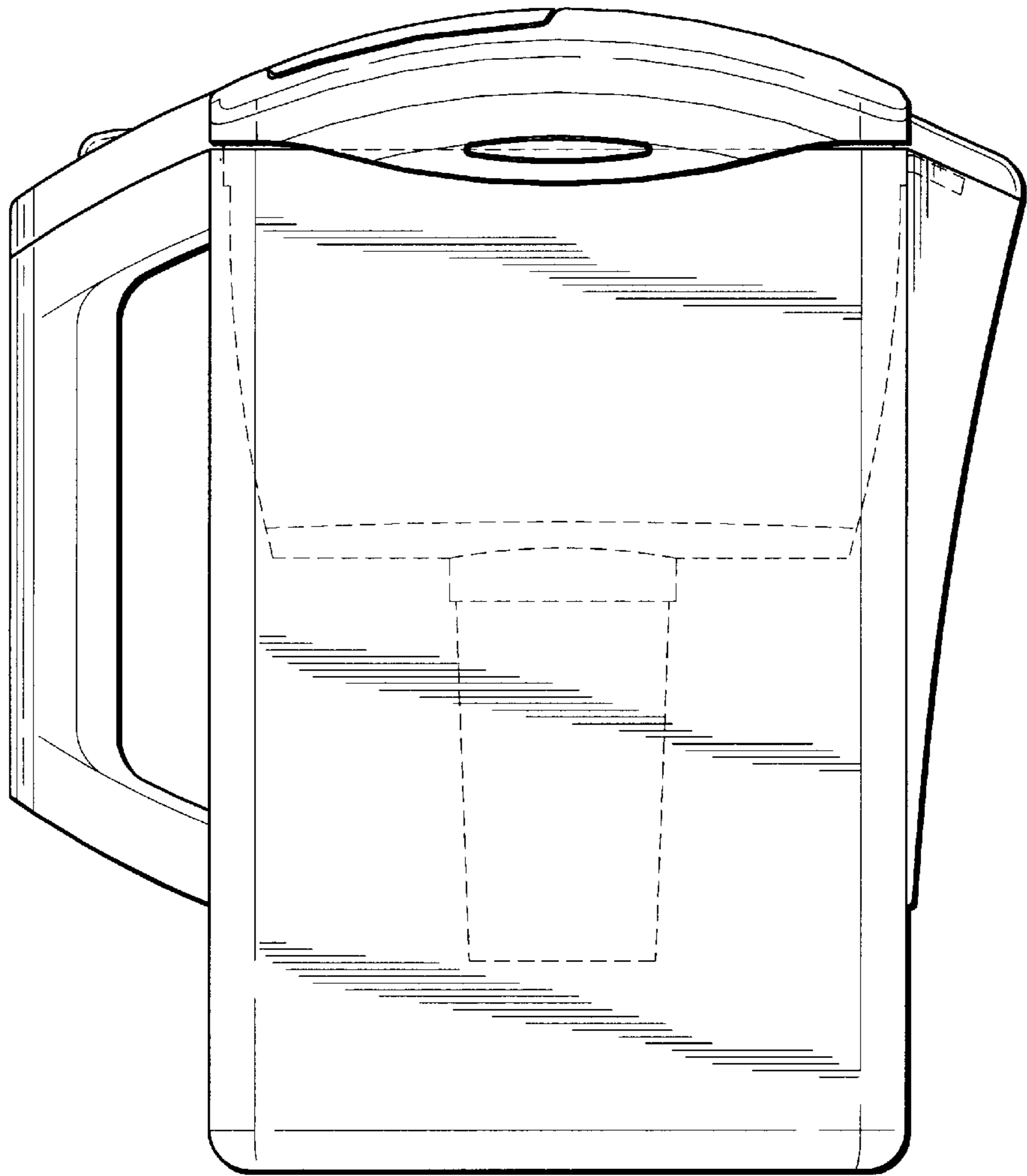


FIG. -3

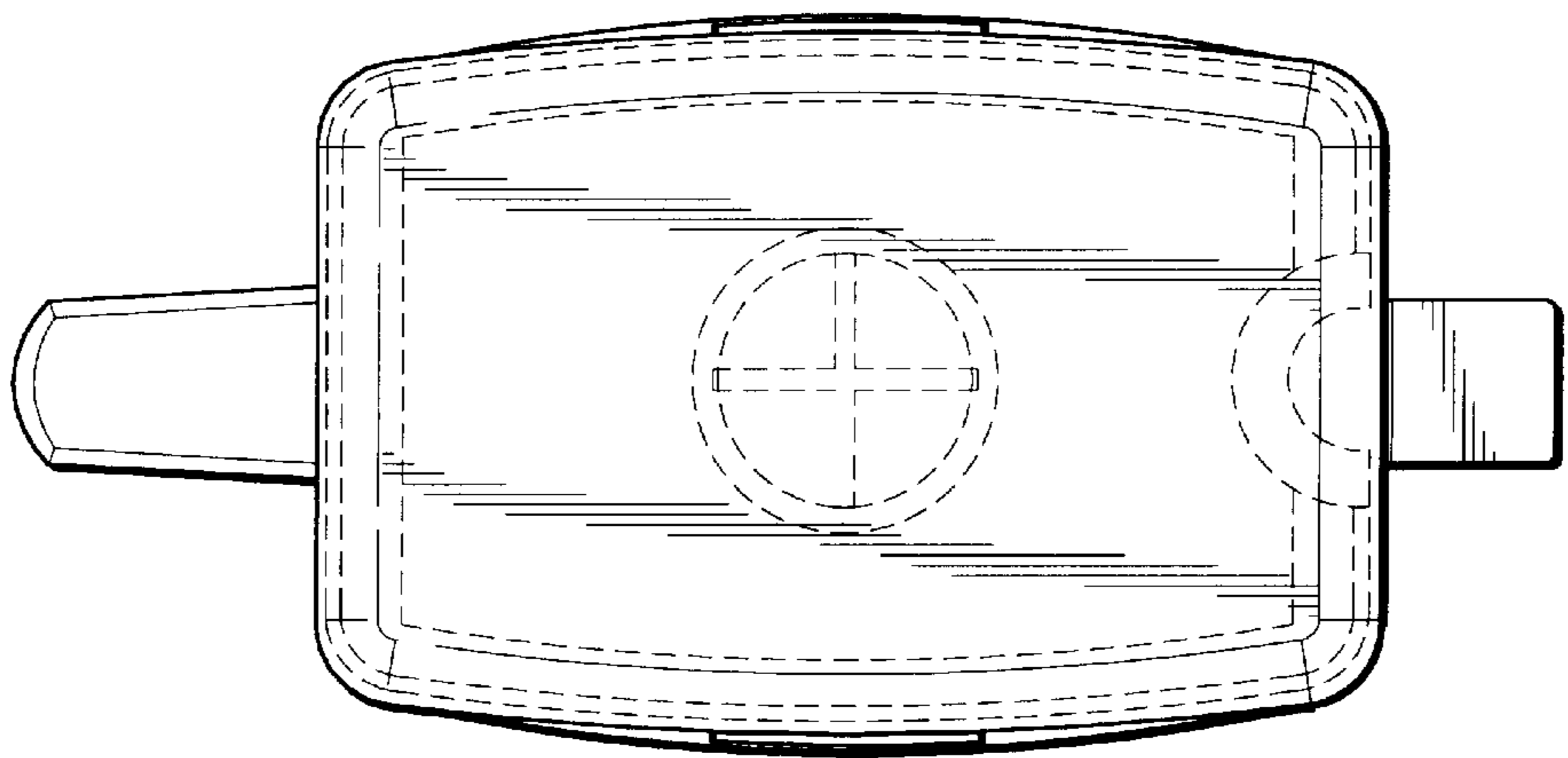


FIG. -5

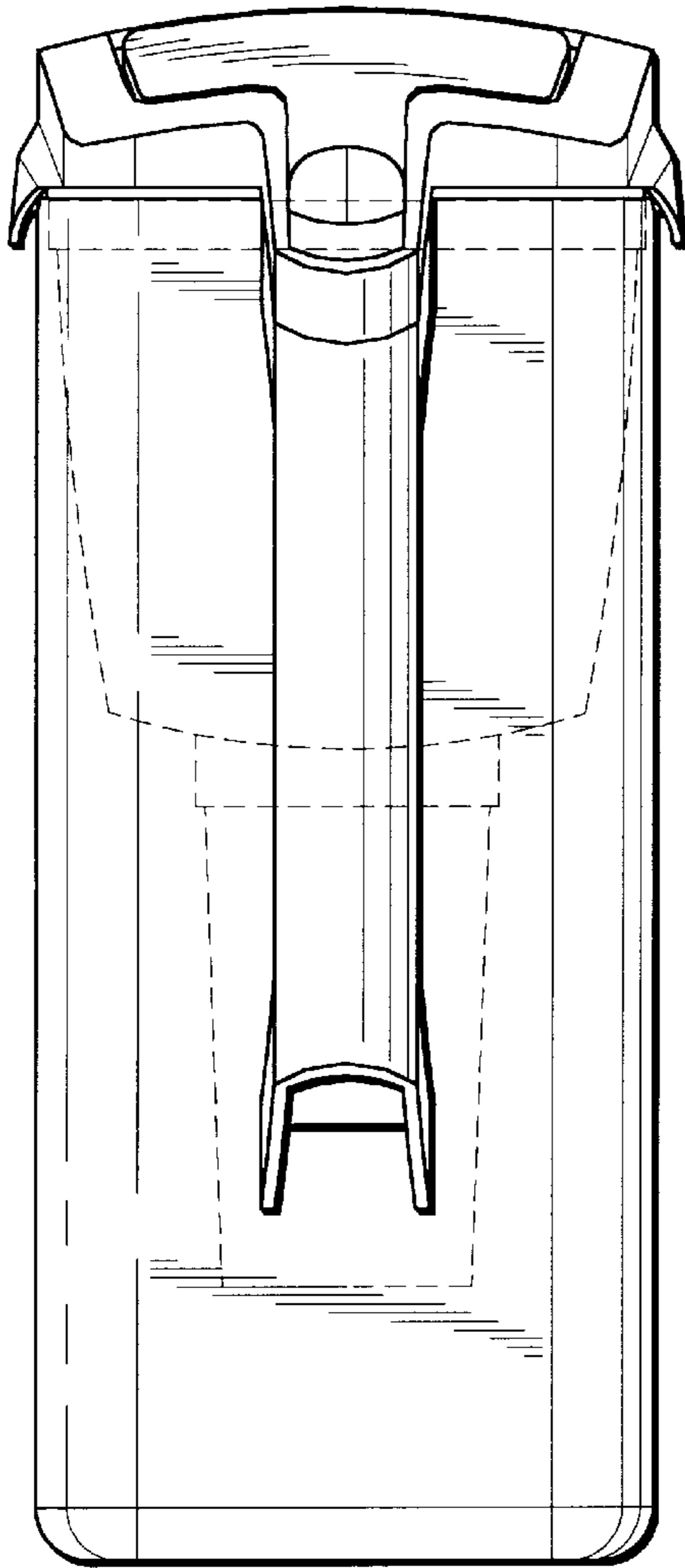


FIG. -6

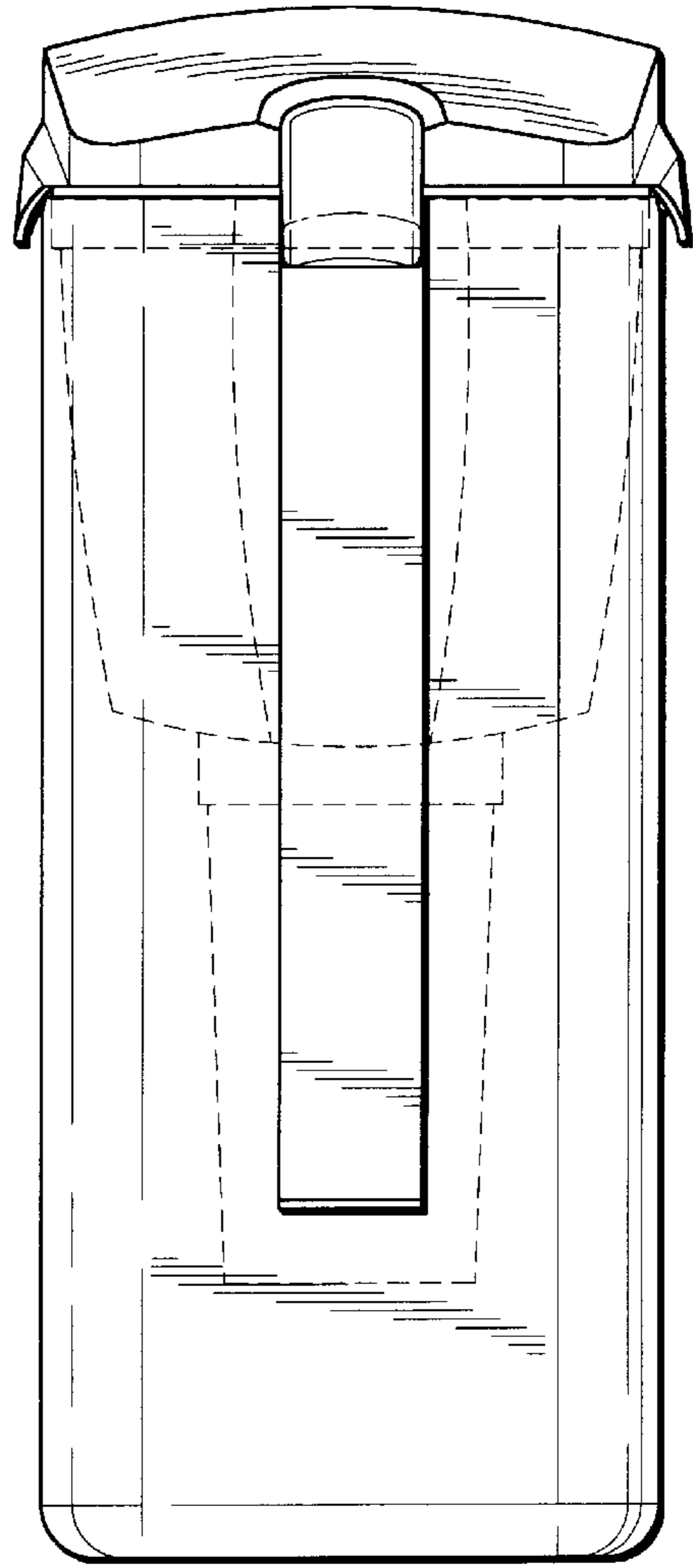


FIG. -7