



US00D419021S

**United States Patent** [19]  
**Owens**

[11] **Patent Number: Des. 419,021**  
[45] **Date of Patent: \*\* Jan. 18, 2000**

[54] **PATIO RAIL SHELF**

[76] Inventor: **Wren M Owens**, 1425 N. Sierra Bonita Ave. #414, Los Angeles, Calif. 90046

[\*\*] Term: **14 Years**

[21] Appl. No.: **29/093,761**

[22] Filed: **Sep. 17, 1998**

[51] **LOC (7) Cl.** ..... **08-08**

[52] **U.S. Cl.** ..... **D6/574; D6/513**

[58] **Field of Search** ..... D6/512, 513, 553, D6/567, 555, 572, 574; 108/42, 44; 211/86.01, 87.01, 88.02, 90.01

[56] **References Cited**

**U.S. PATENT DOCUMENTS**

D. 318,390	7/1991	Murray	.....	D6/513
4,570,803	2/1986	Peterson	.....	211/88.02
5,775,655	7/1998	Schmeets	.....	108/42 X

*Primary Examiner*—Kay H. Chin

[57] **CLAIM**

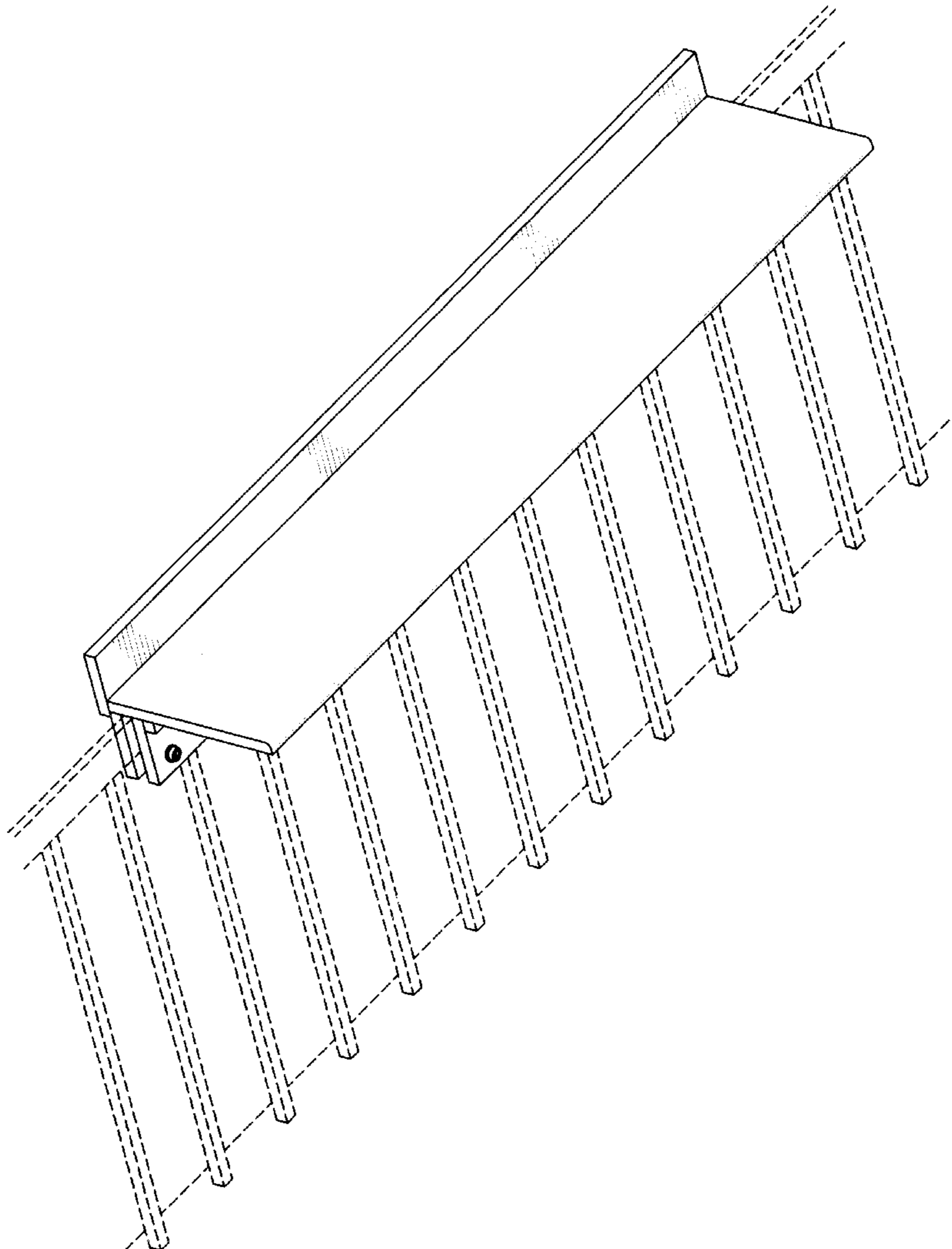
The ornamental design for a patio rail shelf, as shown and described.

**DESCRIPTION**

FIG. 1 is a front elevational view of the patio rail shelf of the present invention;  
 FIG. 2 is a back elevational view of the patio rail shelf of FIG. 1;  
 FIG. 3 is a left side elevational view of the patio rail shelf of FIG. 1;  
 FIG. 4 is a right side elevational view of the patio rail shelf of FIG. 1;  
 FIG. 5 is a top plan view of the patio rail shelf of FIG. 1;  
 FIG. 6 is a bottom plan view of the patio rail shelf of FIG. 1; and,  
 FIG. 7 is a top, front, right side perspective view of the patio rail shelf of FIG. 1.

The broken line showing in FIG. 7 is for illustrative purposes only and forms no part of the claimed invention.

**1 Claim, 3 Drawing Sheets**



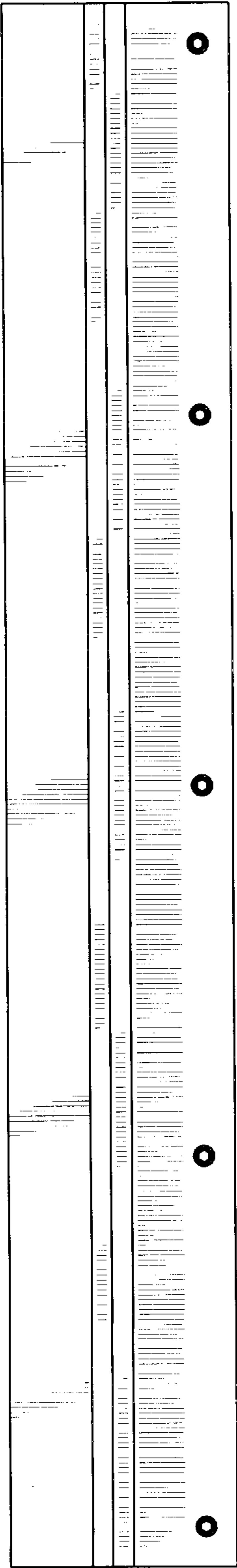


FIG. 1

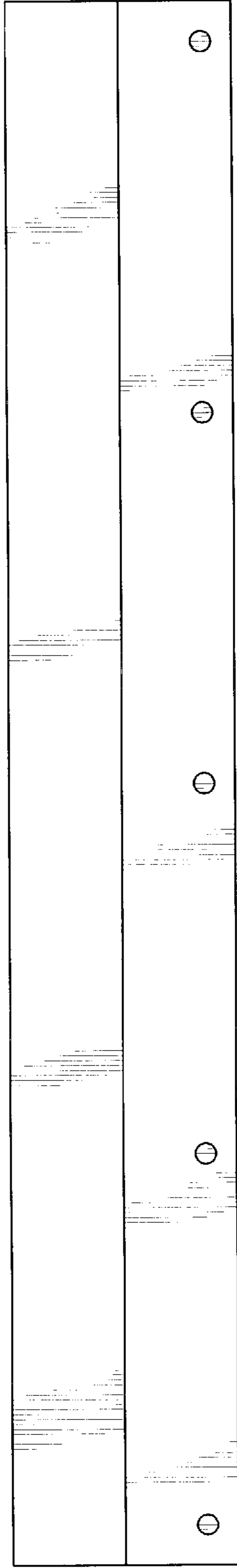


FIG. 2

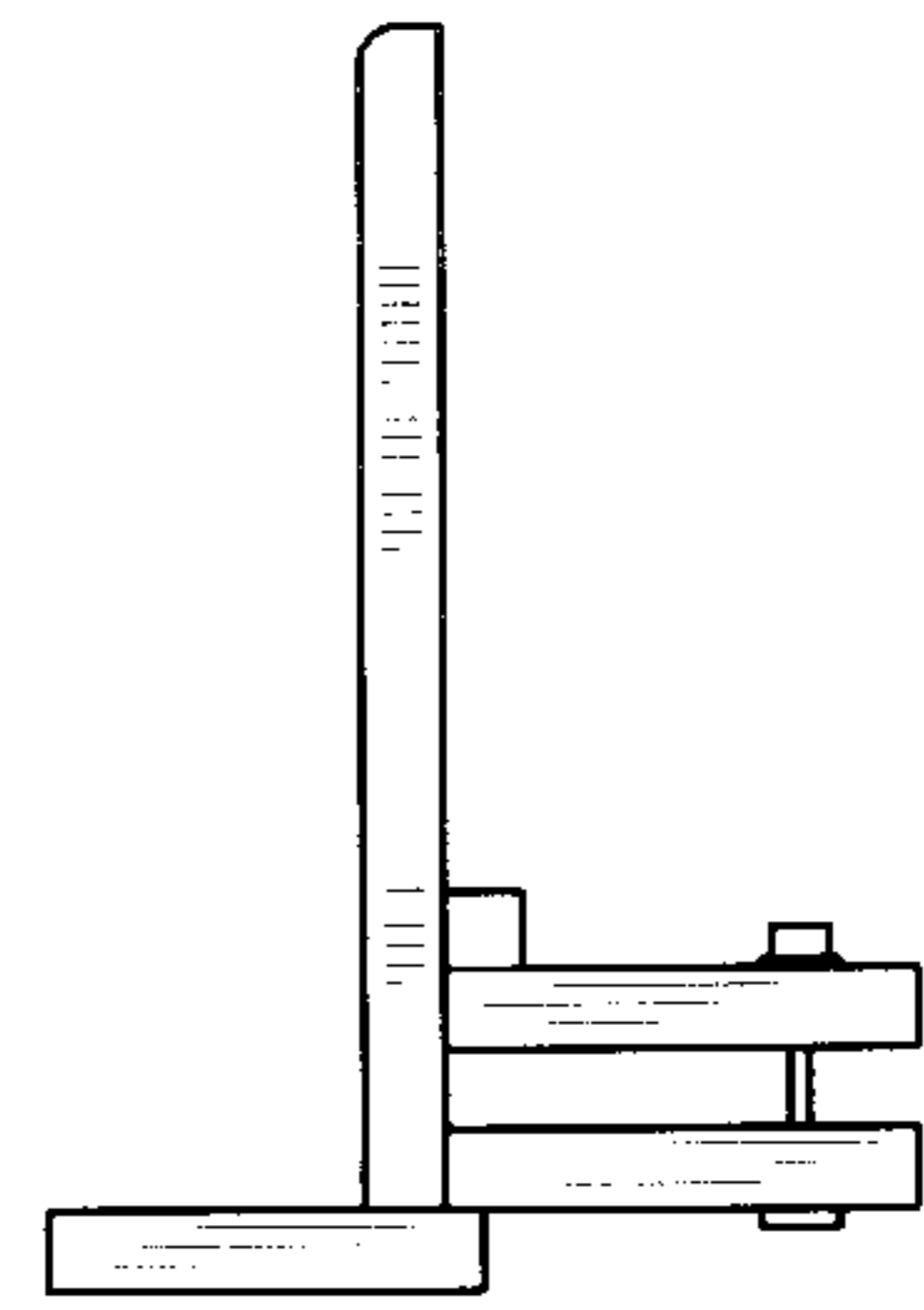


FIG. 3

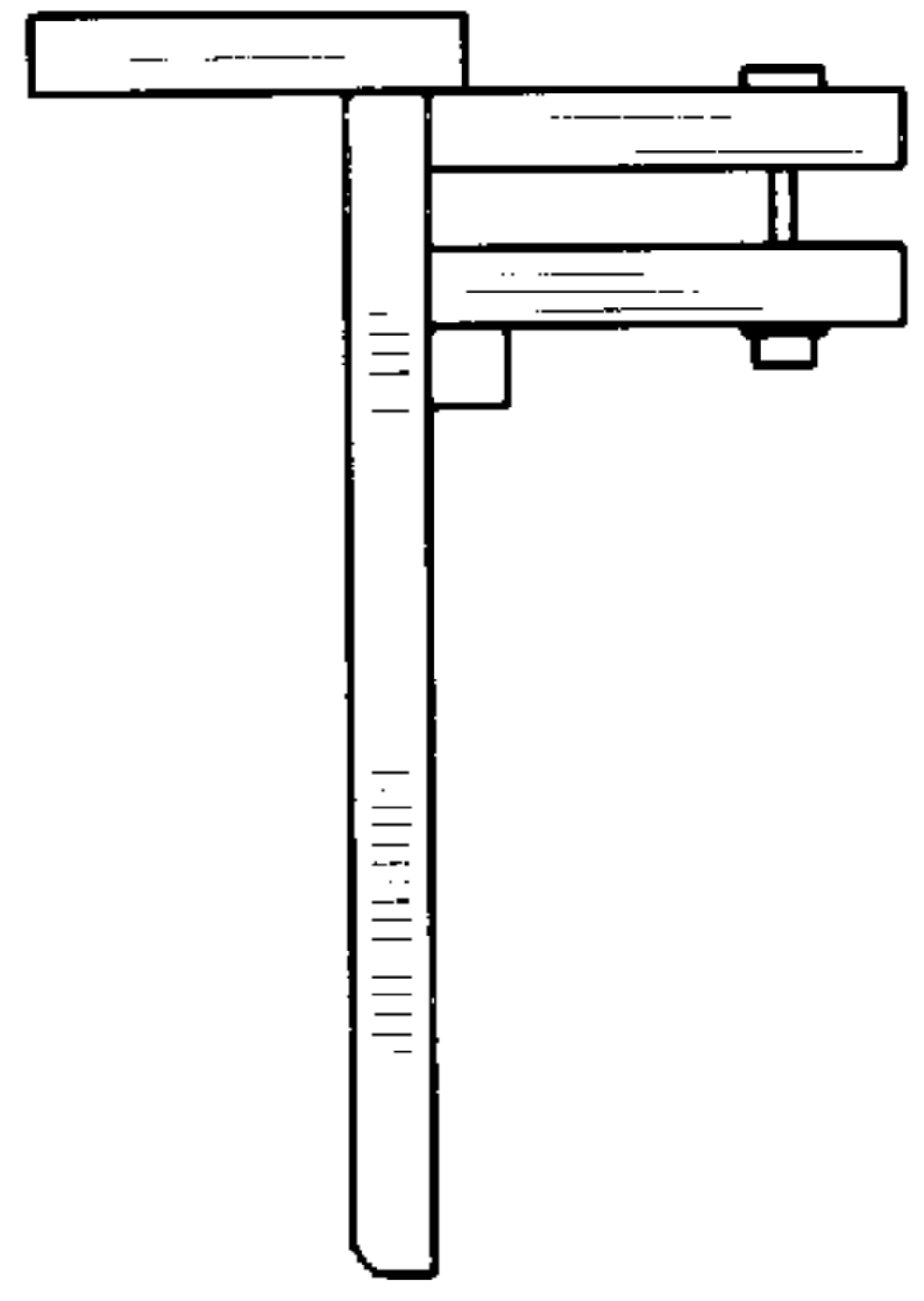


FIG. 4

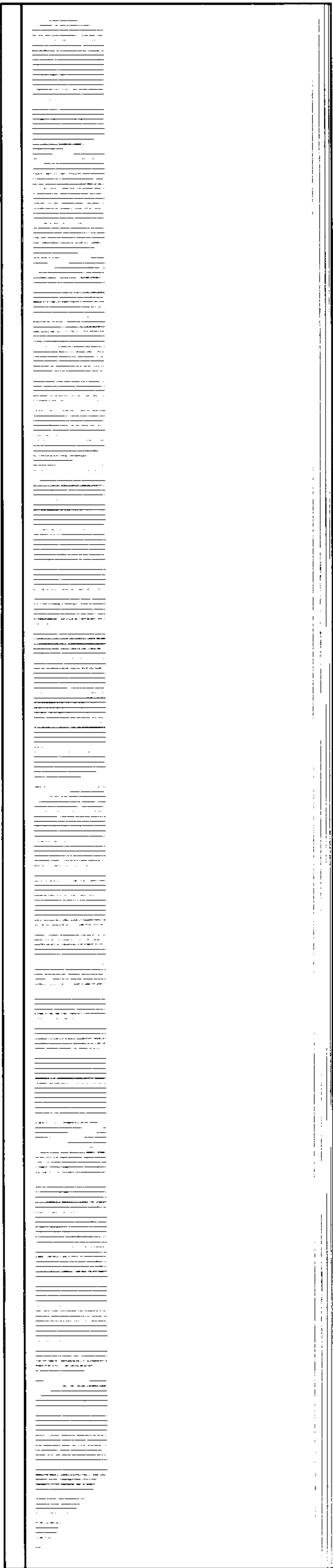


FIG. 5

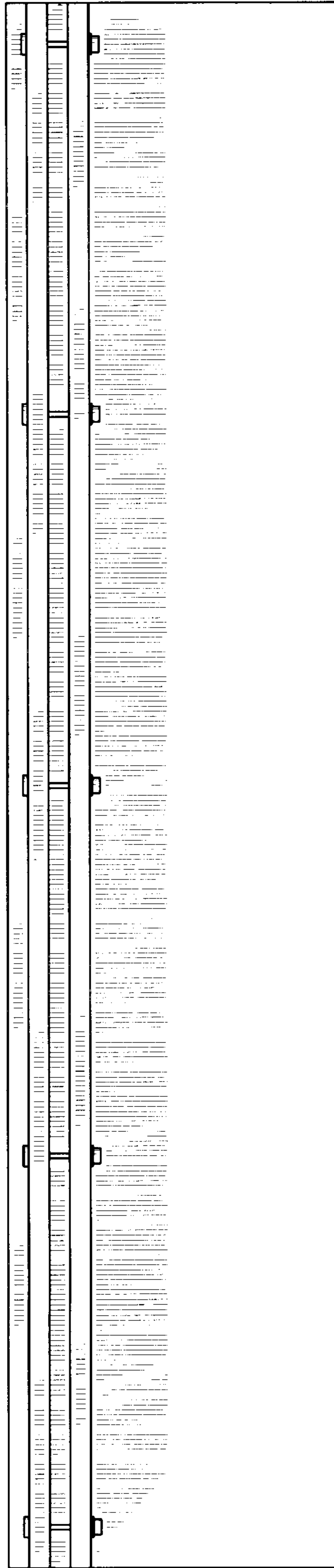


FIG. 6

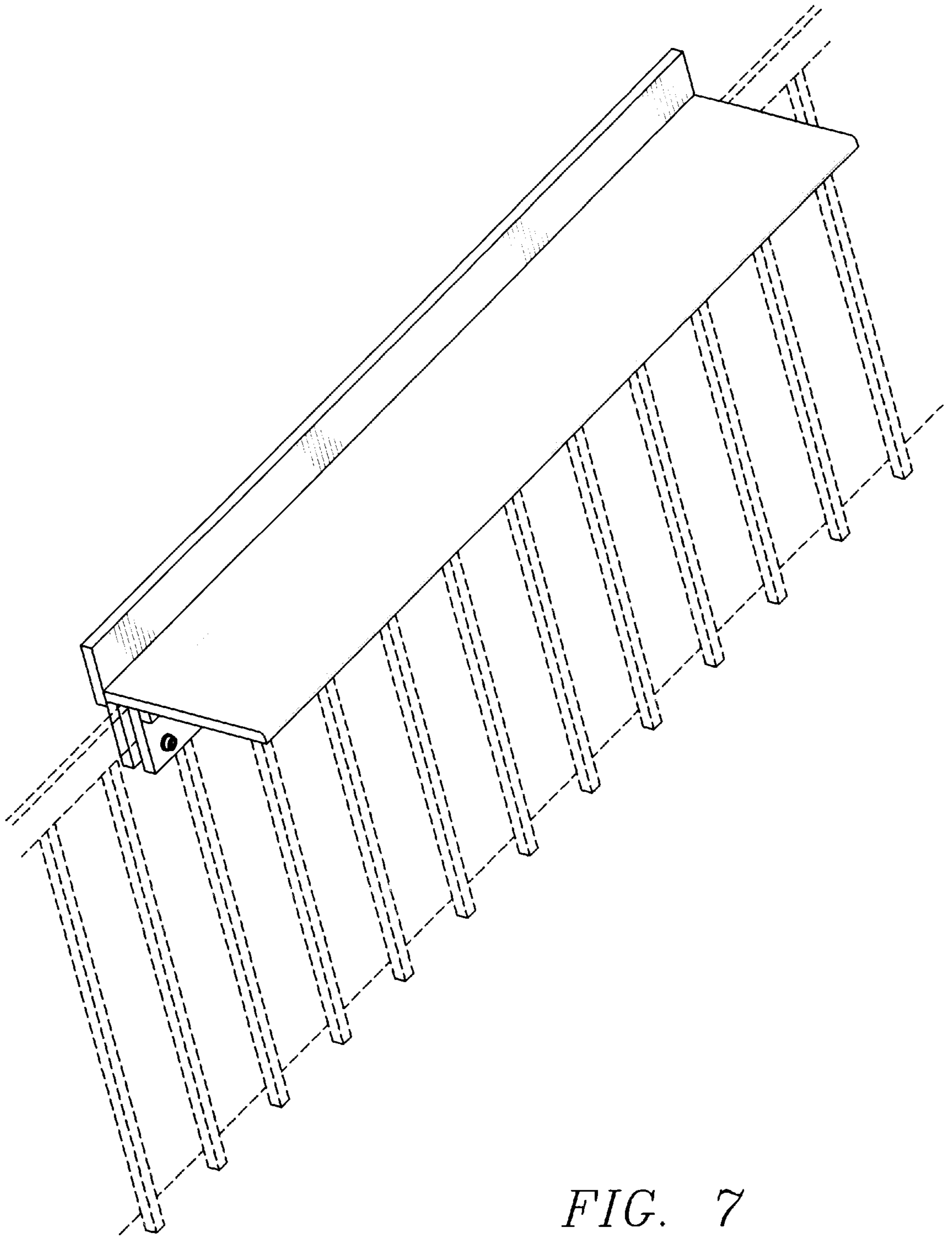


FIG. 7