



US00D419020S

United States Patent [19]

[11] Patent Number: Des. 419,020

Emery et al.

[45] Date of Patent: ** Jan. 18, 2000

[54] CURVED CORNER CADDY SET

DESCRIPTION

[76] Inventors: **William W. Emery**, 326 Timber Dr., Berkeley Heights, N.J. 07922; **Russell A. Fritts**, 17 Lenape Trail, Warren, N.J. 07059

FIG. 1 is an upper perspective view of the curved corner caddy set having an upper member and a lower member, the lower member depicted with a hook piece.

[**] Term: **14 Years**

FIG. 2 is a top plan view of the lower member of the curved corner caddy set shown in FIG. 1 without the hook piece.

[21] Appl. No.: **29/091,601**

FIG. 3 is a bottom view of the curved corner caddy shown in FIG. 2.

[22] Filed: **Aug. 3, 1998**

FIGS. 4–7 are side elevational views of the curved corner caddy shown in FIG. 3.

[51] **LOC (7) Cl.** **08-08**

FIG. 8 is a top plan view of the upper member of the curved corner caddy set shown in FIG. 1.

[52] **U.S. Cl.** **D6/562; D6/566; D6/525**

[58] **Field of Search** D6/512, 524, 525, D6/553, 562, 566, 567, 569–571, 574; 211/13.1, 71, 86–90, 106, 126.1, 126.8, 126.9, 134, 181.1, 182

FIG. 9 is a bottom view of the curved corner caddy shown in FIG. 8.

FIGS. 10–13 are side elevational views of the curved corner caddy shown in FIG. 9.

[56] References Cited

U.S. PATENT DOCUMENTS

D. 156,394	12/1949	Yohey	D6/566
D. 188,332	7/1960	Salen	D6/562
D. 189,722	2/1961	Wolff	D6/562
D. 323,439	1/1992	Emery	D6/562
4,708,310	11/1987	Smith	211/90

FIG. 14 is a front elevational view of the hook piece shown in conjunction with the lower member in FIG. 1.

FIG. 15 is a rear elevational view of the hook piece shown in FIG. 14.

FIG. 16 is a side elevational view of the hook piece shown in FIG. 15.

FIGS. 17 and 18 are the top plan view and the bottom view of the hook piece, respectively.

Primary Examiner—Brian N. Vinson

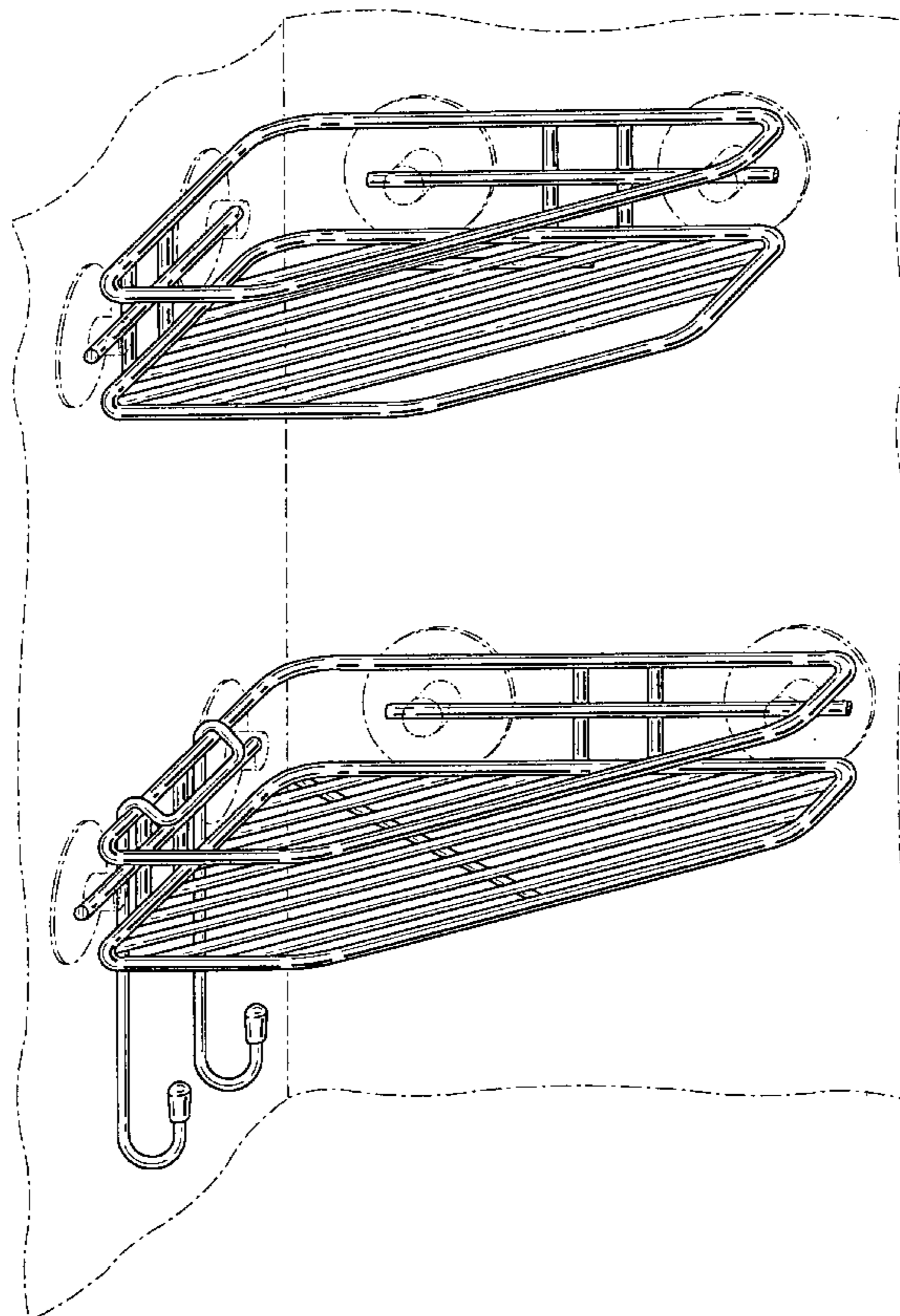
Attorney, Agent, or Firm—Bickel & Brewer

FIG. 19 is an upper perspective view of the curved corner caddy set shown in FIG. 1 with the upper member, the lower member and the hook piece brought together.

[57] CLAIM

The ornamental design for the curved corner caddy set, as shown in the drawing.

1 Claim, 7 Drawing Sheets



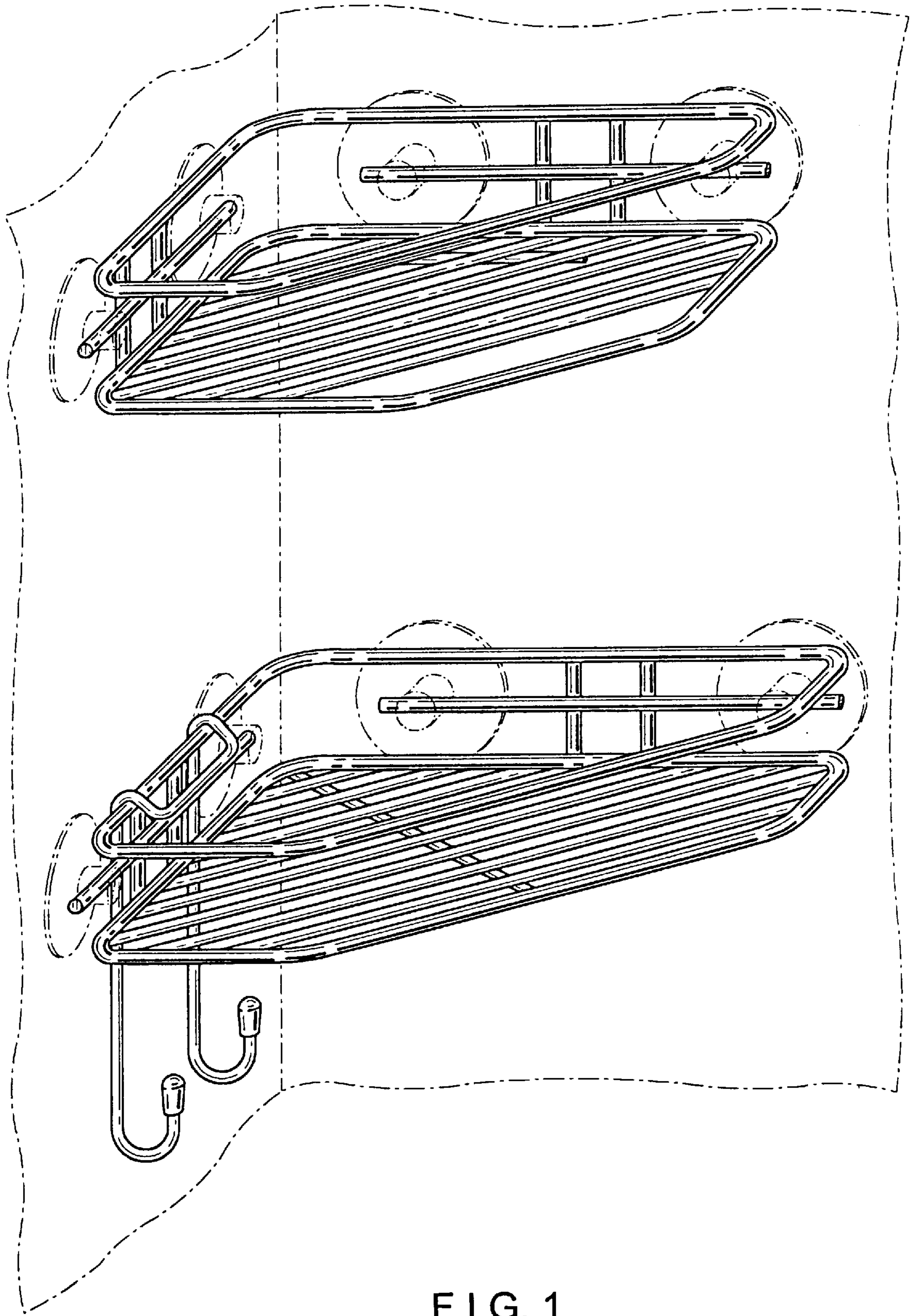


FIG. 1

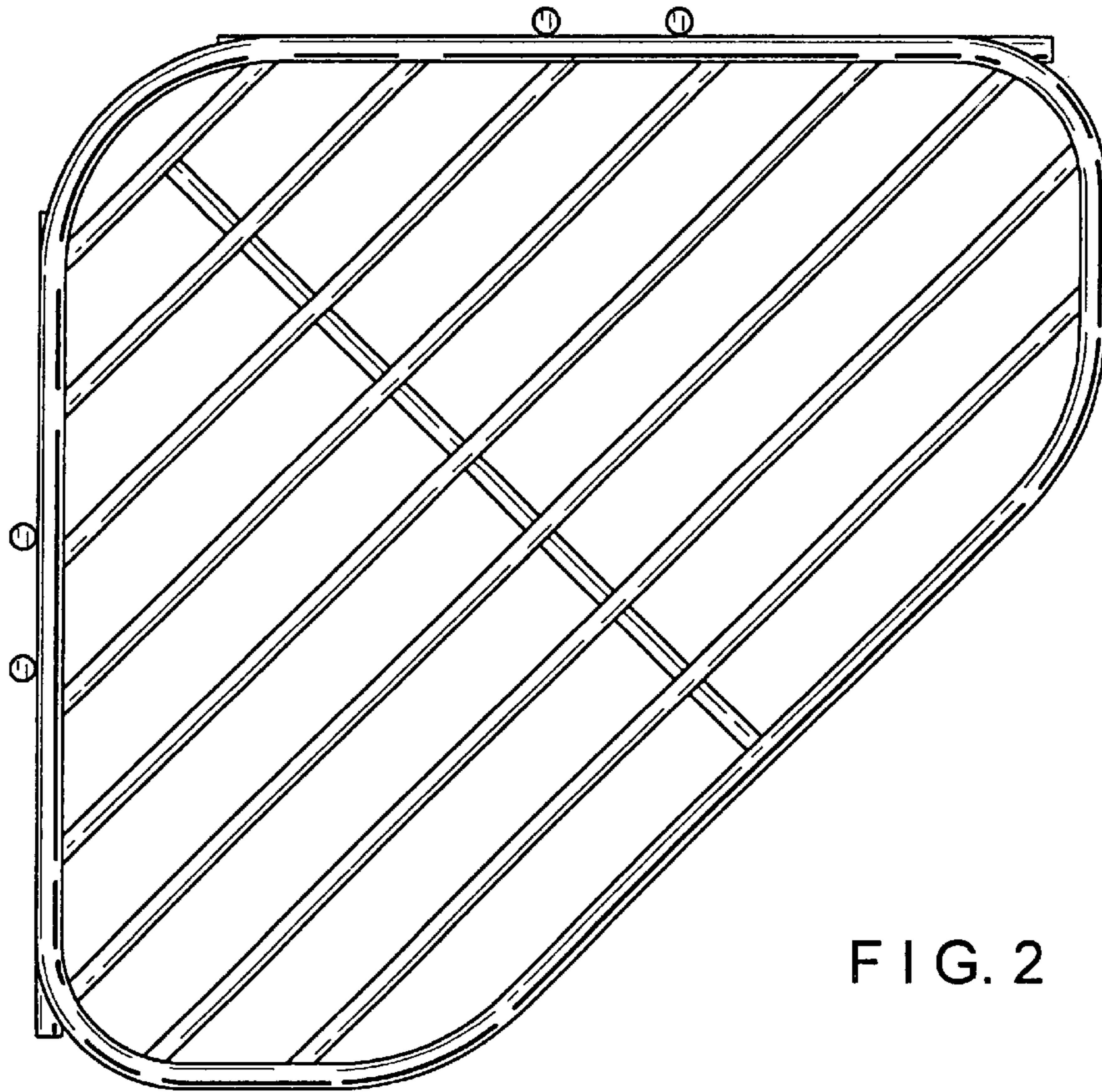


FIG. 2

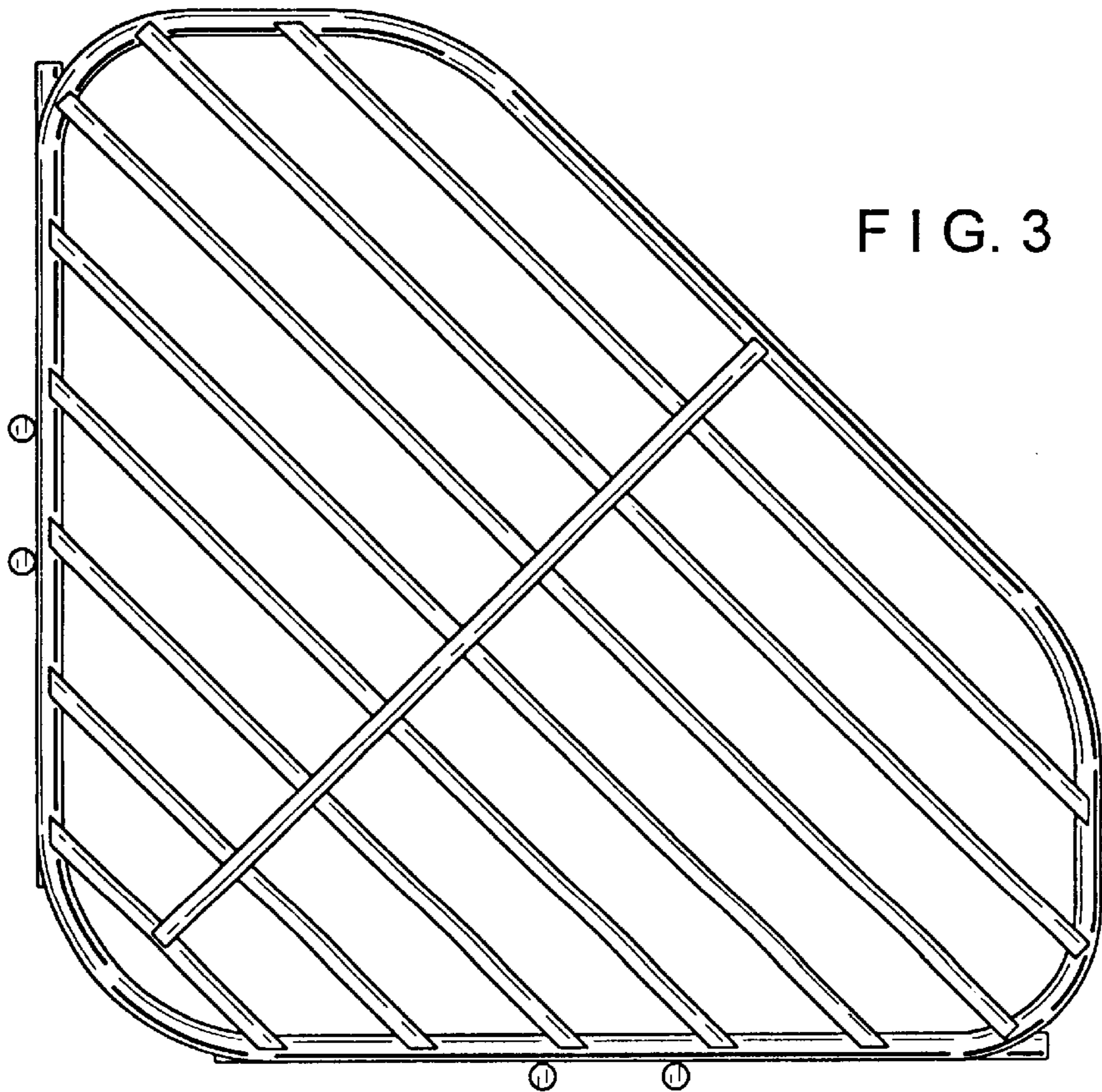


FIG. 3

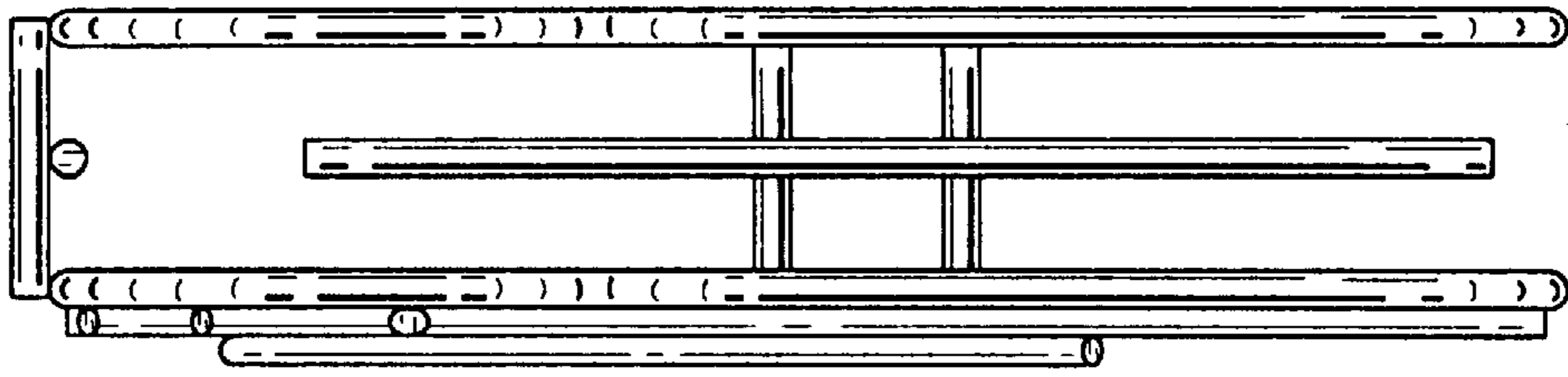


FIG. 4

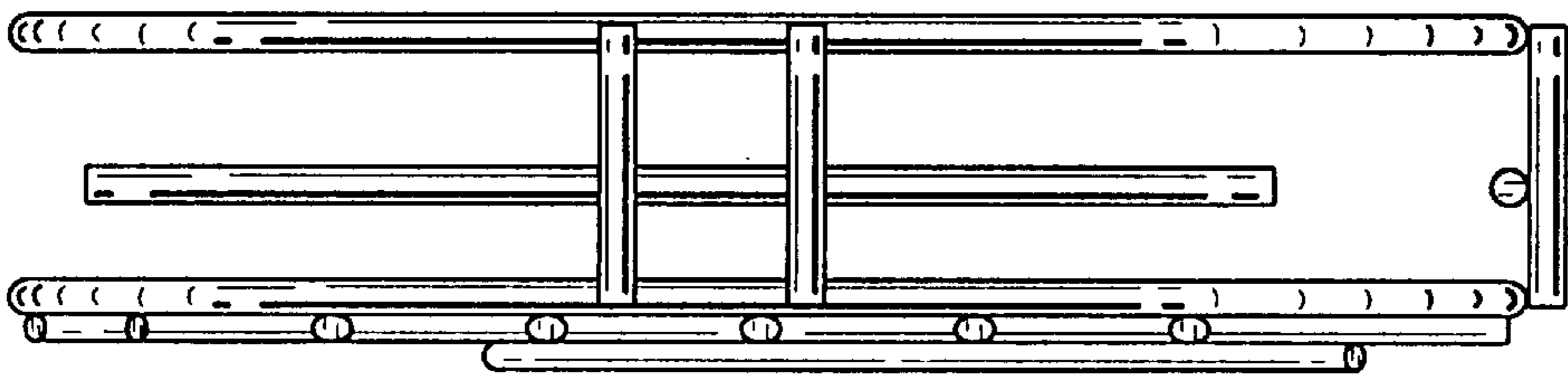


FIG. 5

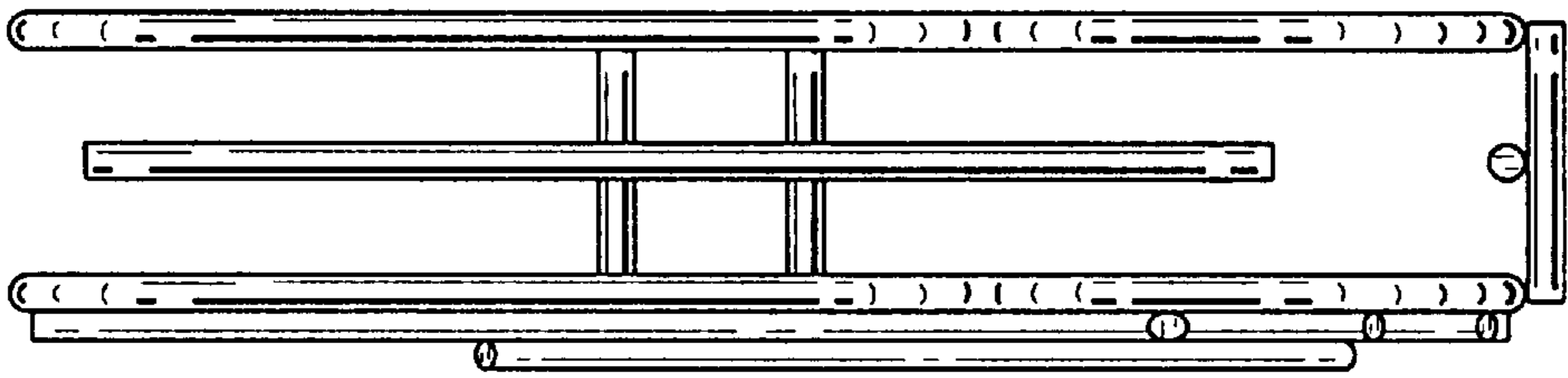


FIG. 6

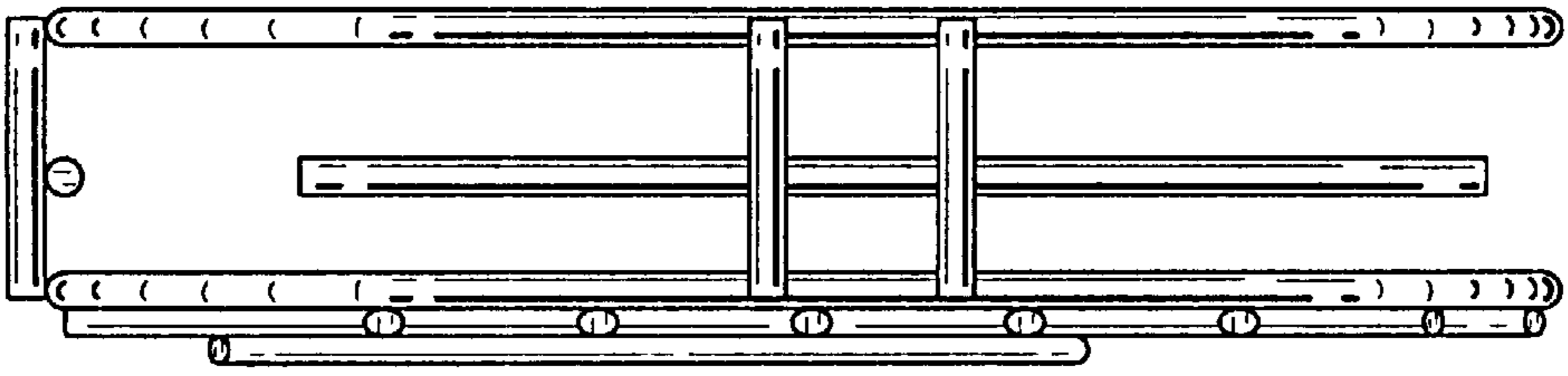


FIG. 7

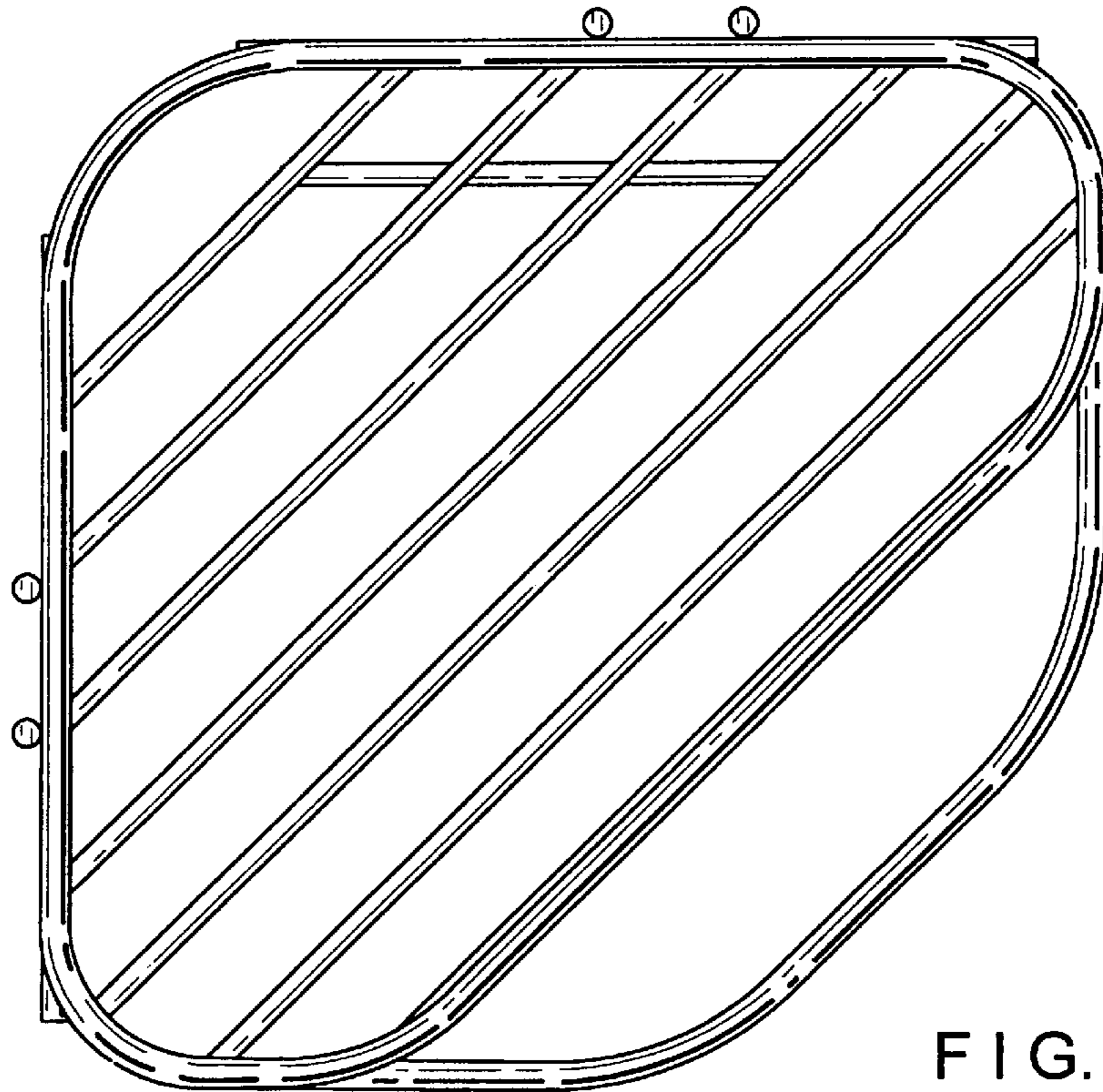


FIG. 8

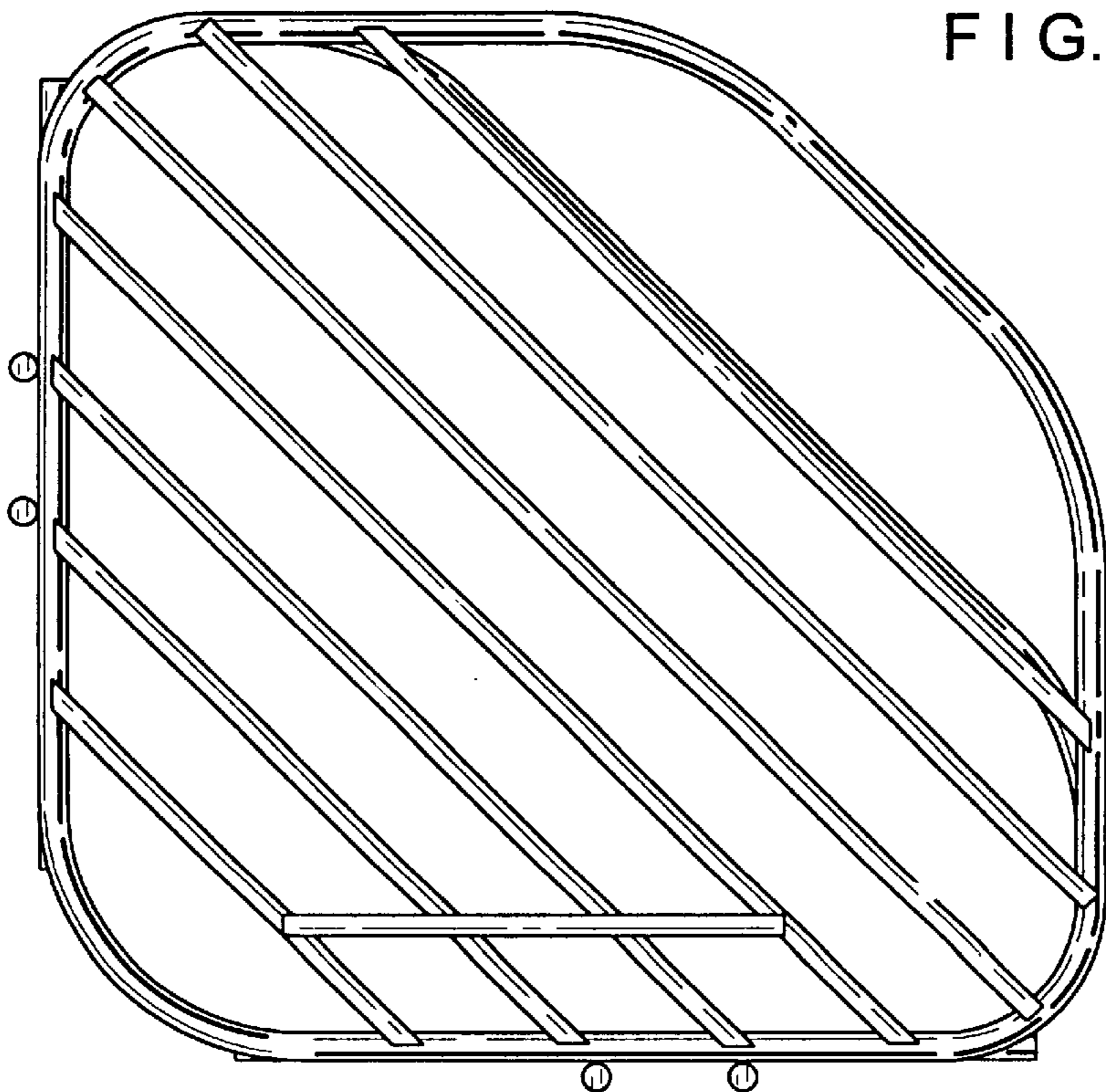


FIG. 9

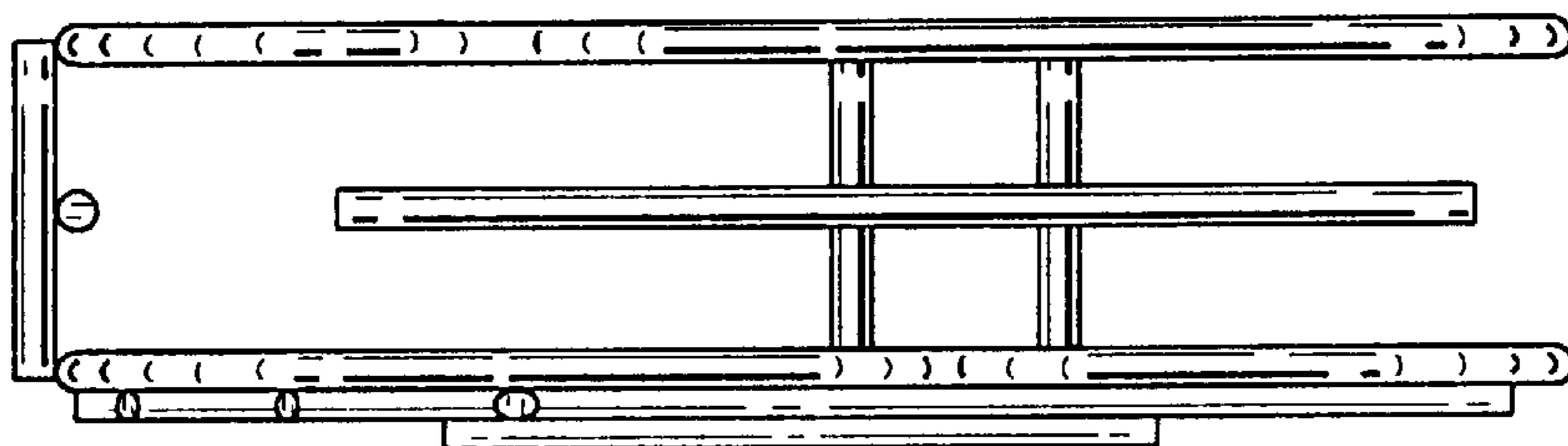


FIG. 10

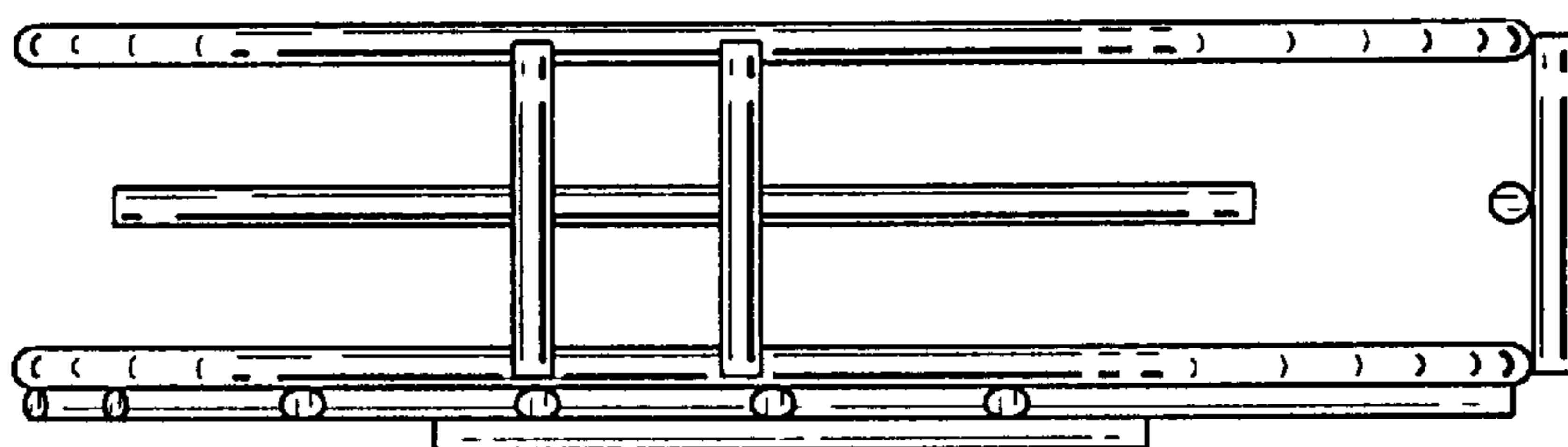


FIG. 11

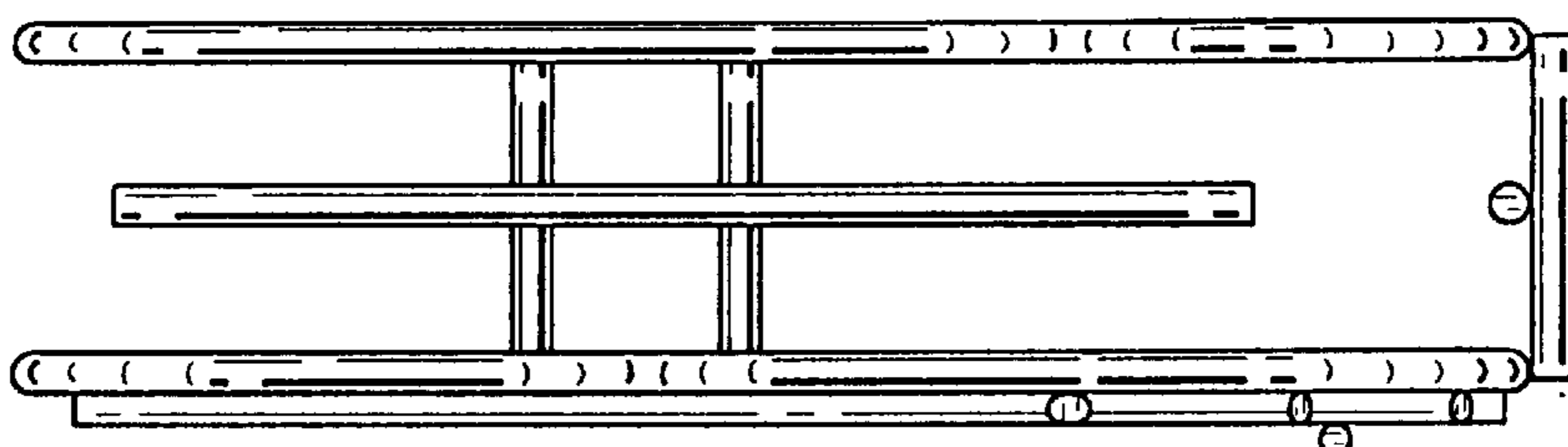


FIG. 12

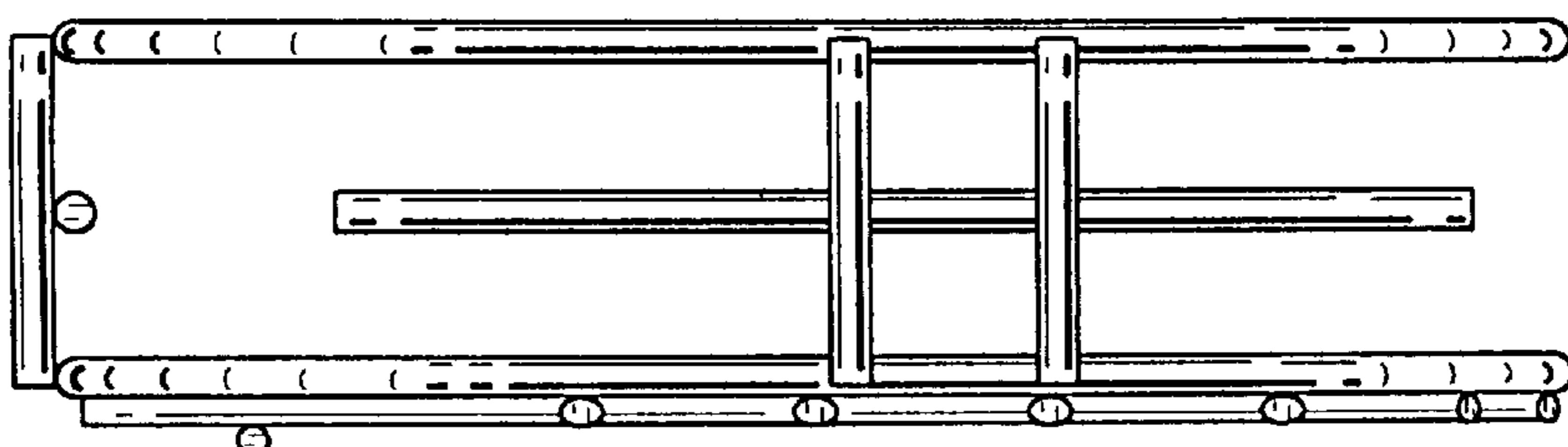


FIG. 13

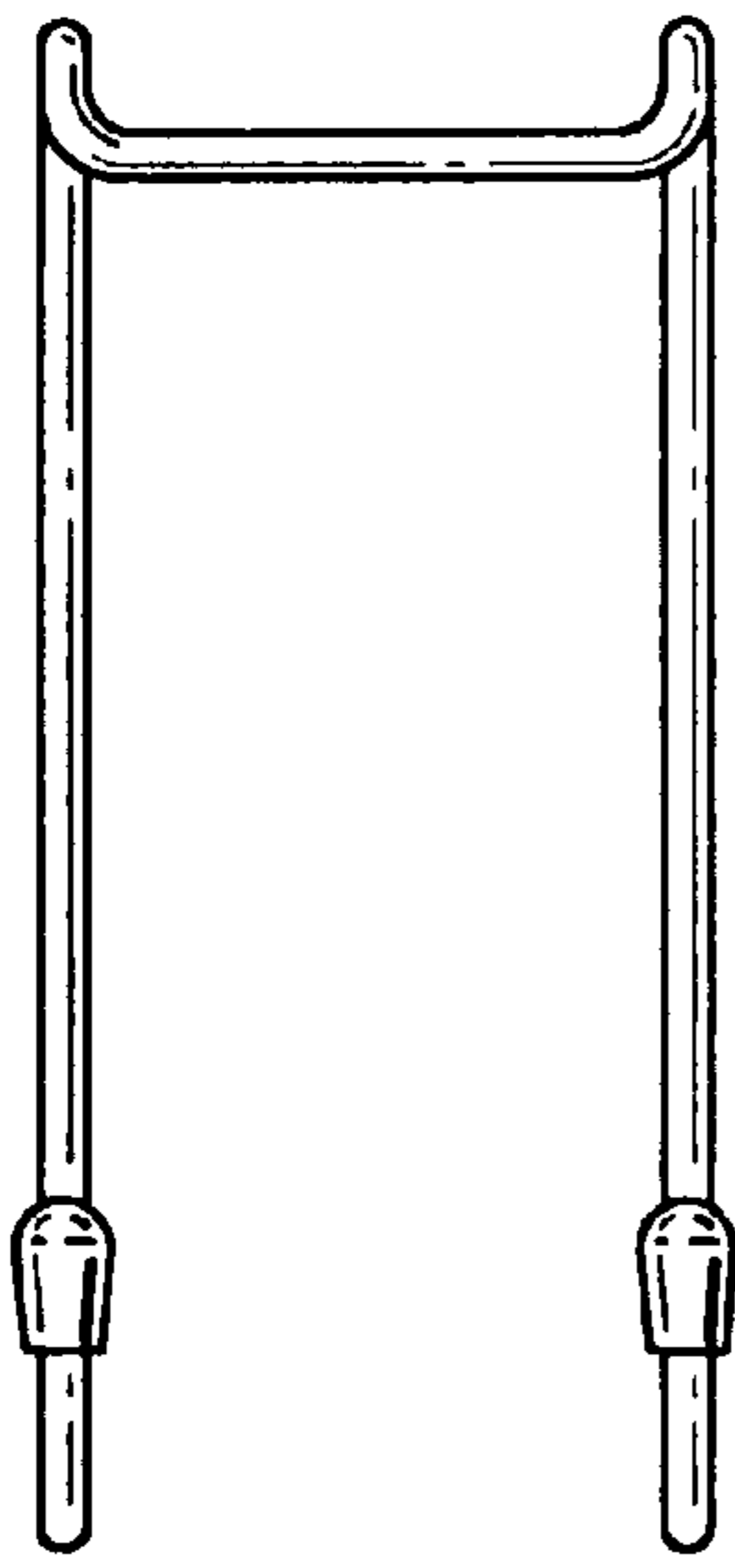


FIG. 14

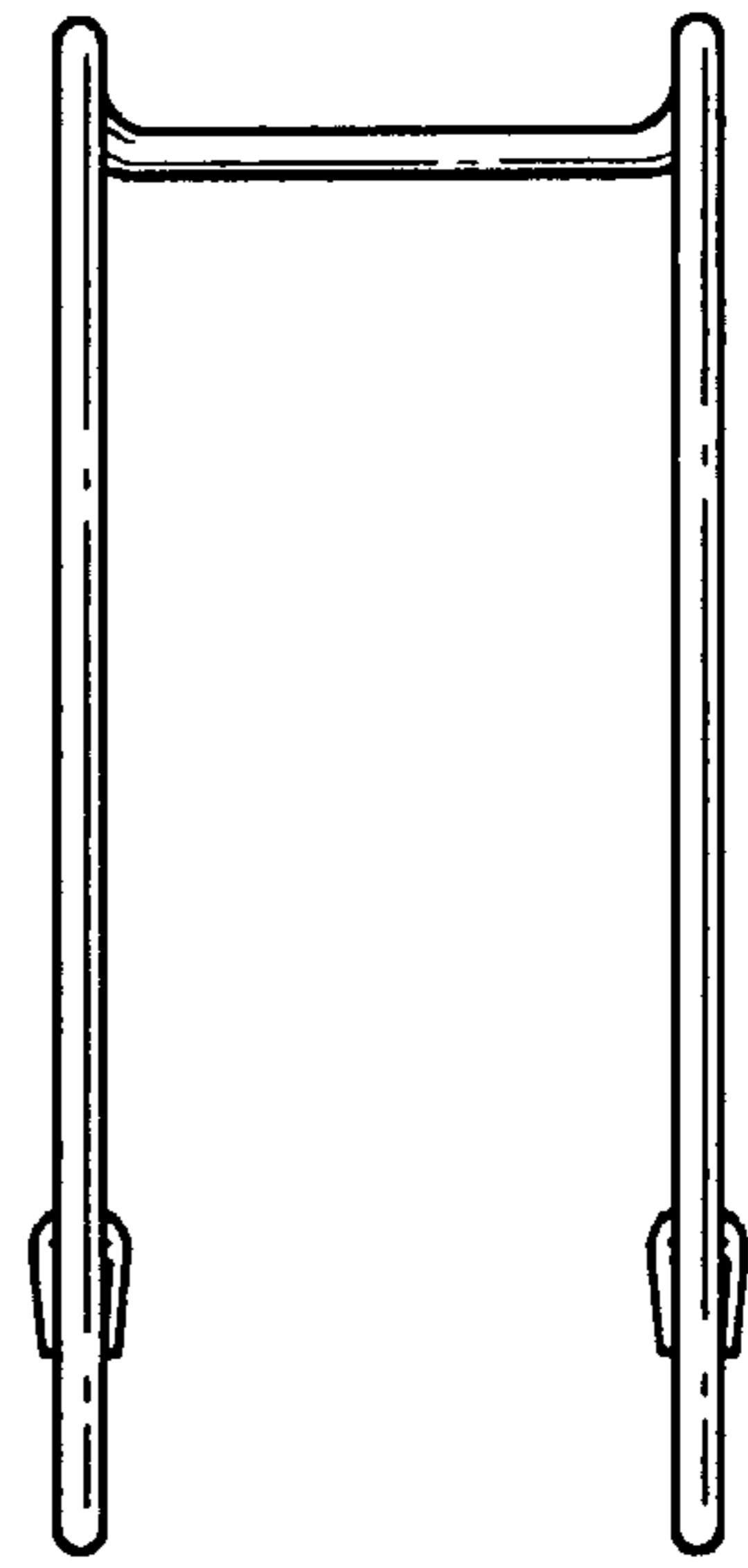


FIG. 15

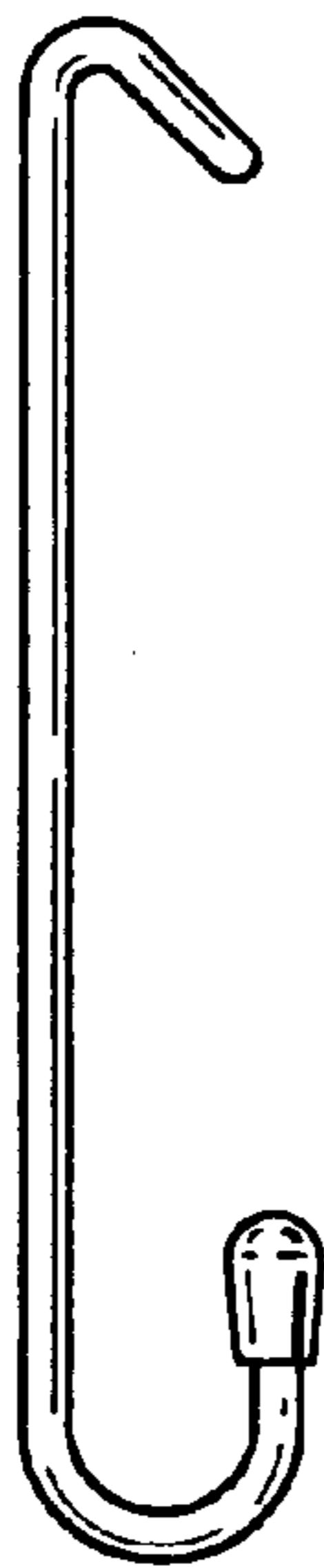


FIG. 16

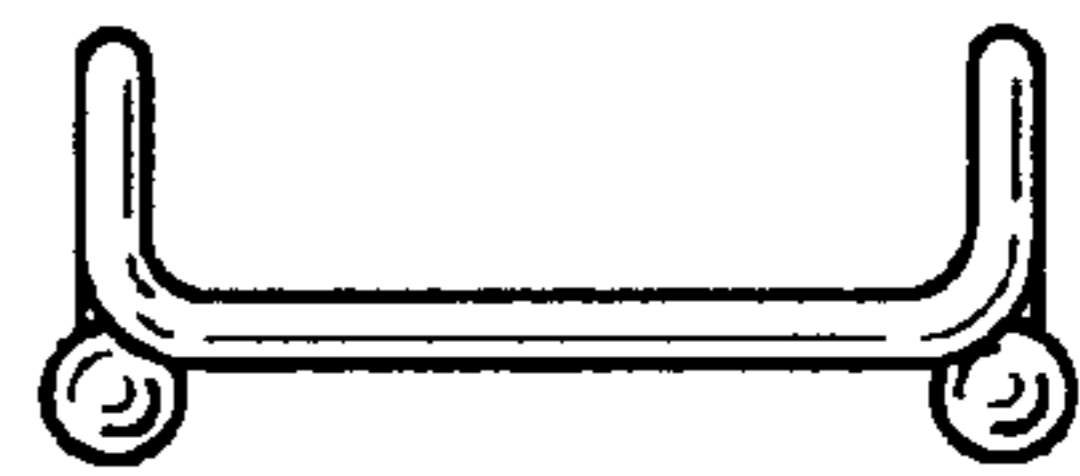


FIG. 17

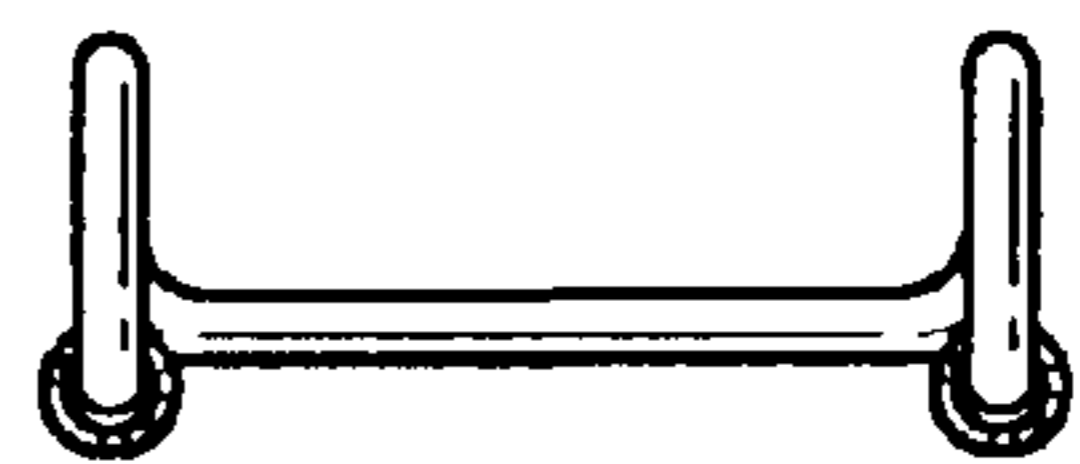


FIG. 18

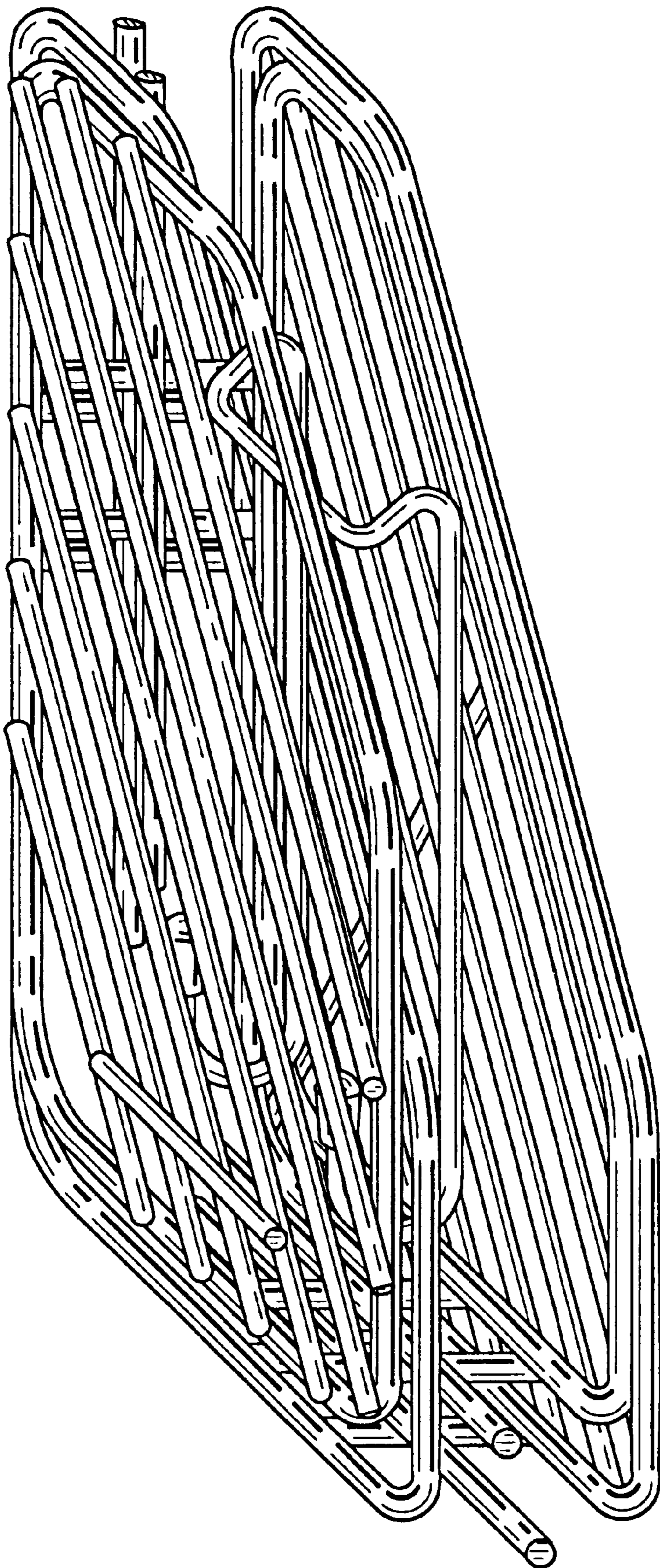


FIG. 19