



US00D419017S

**United States Patent** [19]  
**Mahlmann**

[11] **Patent Number: Des. 419,017**  
[45] **Date of Patent: \*\* Jan. 18, 2000**

[54] **TOILET PAPER DISPENSER**  
[75] Inventor: **Veit Mahlmann**, Hamburg, Germany  
[73] Assignee: **HEWI Heinrich Wilke GmbH**,  
Arolsen, Germany  
[\*\*] Term: **14 Years**  
[21] Appl. No.: **29/100,794**  
[22] Filed: **Feb. 19, 1999**

**Related U.S. Application Data**

[62] Division of application No. 29/076,533, Sep. 12, 1997, Pat. No. Des. 405,997.

[30] **Foreign Application Priority Data**

Mar. 13, 1997 [DE] Germany ..... M 97 02 486

[51] **LOC (7) Cl.** ..... **07-07**

[52] **U.S. Cl.** ..... **D6/523**

[58] **Field of Search** ..... D6/518-523, 549,  
D6/550; 211/13.1, 86, 87; 242/570, 590,  
555, 556, 558; 312/34.8

[56] **References Cited**  
U.S. PATENT DOCUMENTS  
D. 327,193 6/1992 Crook et al. .... D6/523  
D. 403,191 12/1998 Paul et al. .... D6/523  
D. 407,248 3/1999 Scholpp ..... D6/523 X  
2,477,362 7/1949 Cavalieri ..... D6/523 X

*Primary Examiner*—Brian N. Vinson  
*Attorney, Agent, or Firm*—Michael J. Striker

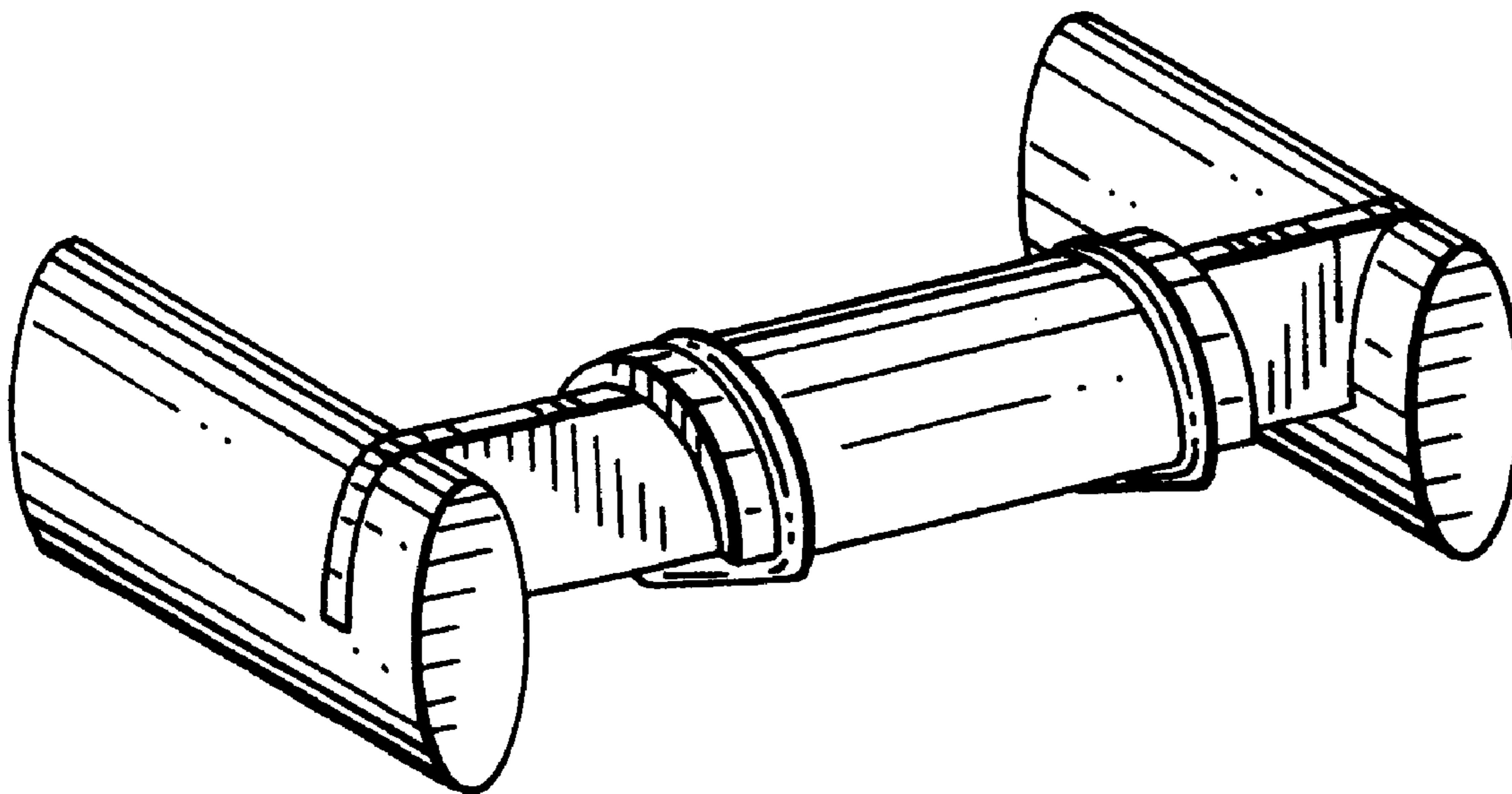
[57] **CLAIM**

The ornamental design for a toilet paper dispenser, as shown and described.

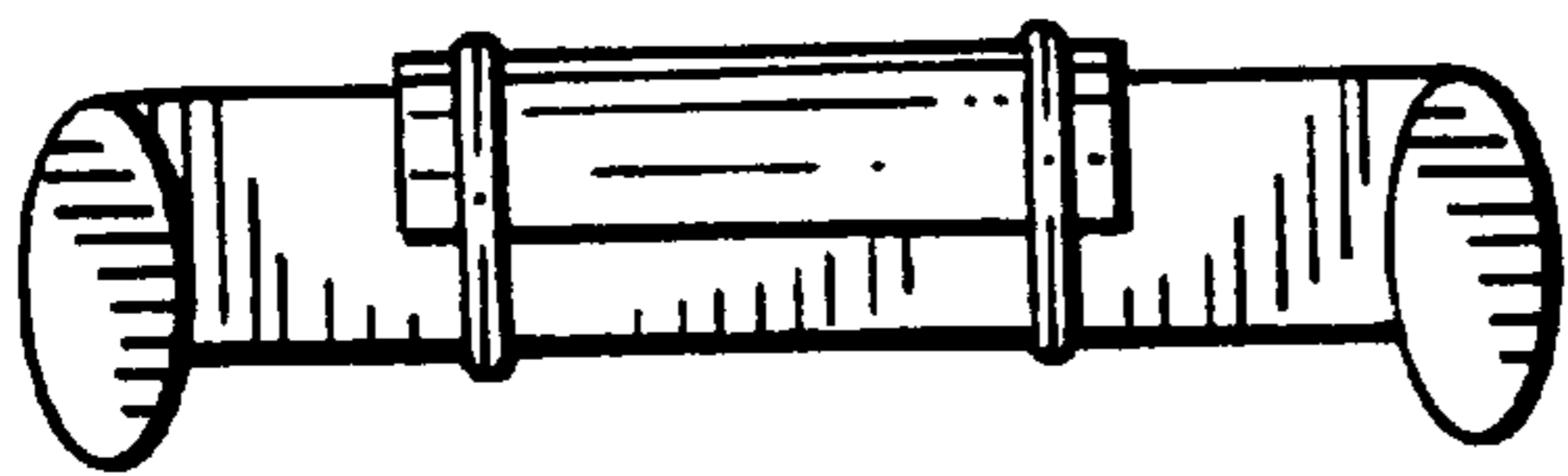
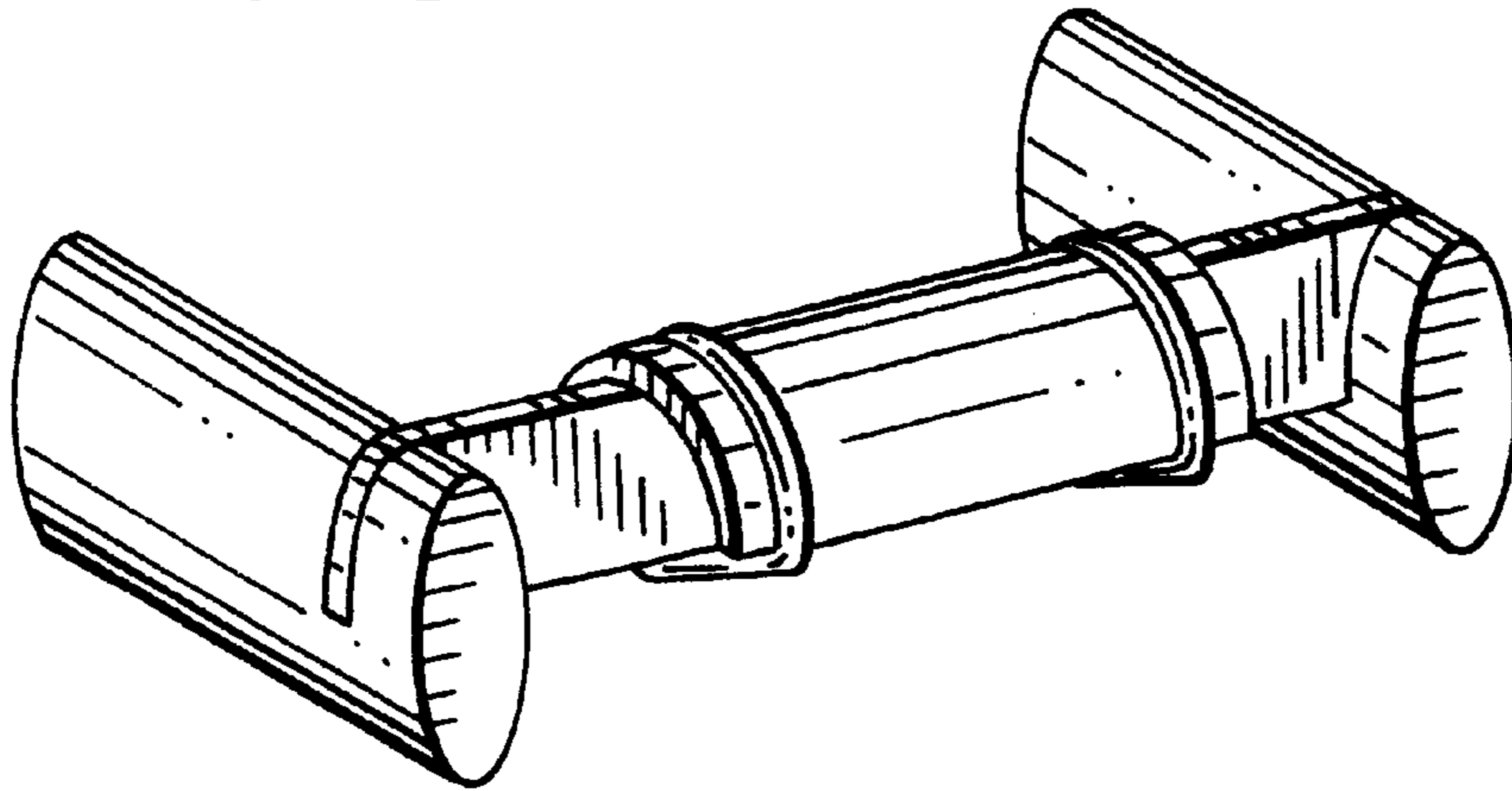
**DESCRIPTION**

FIG. 1 is a top, front, and left side perspective view of a toilet paper dispenser showing my new design; FIG. 2 is front elevational view thereof; FIG. 3 is a bottom plan view thereof; FIG. 4 is a top plan view thereof; FIG. 5 is a right side elevational view thereof; FIG. 6 is a left side elevational view thereof; and, FIG. 7 is a rear elevational view thereof.

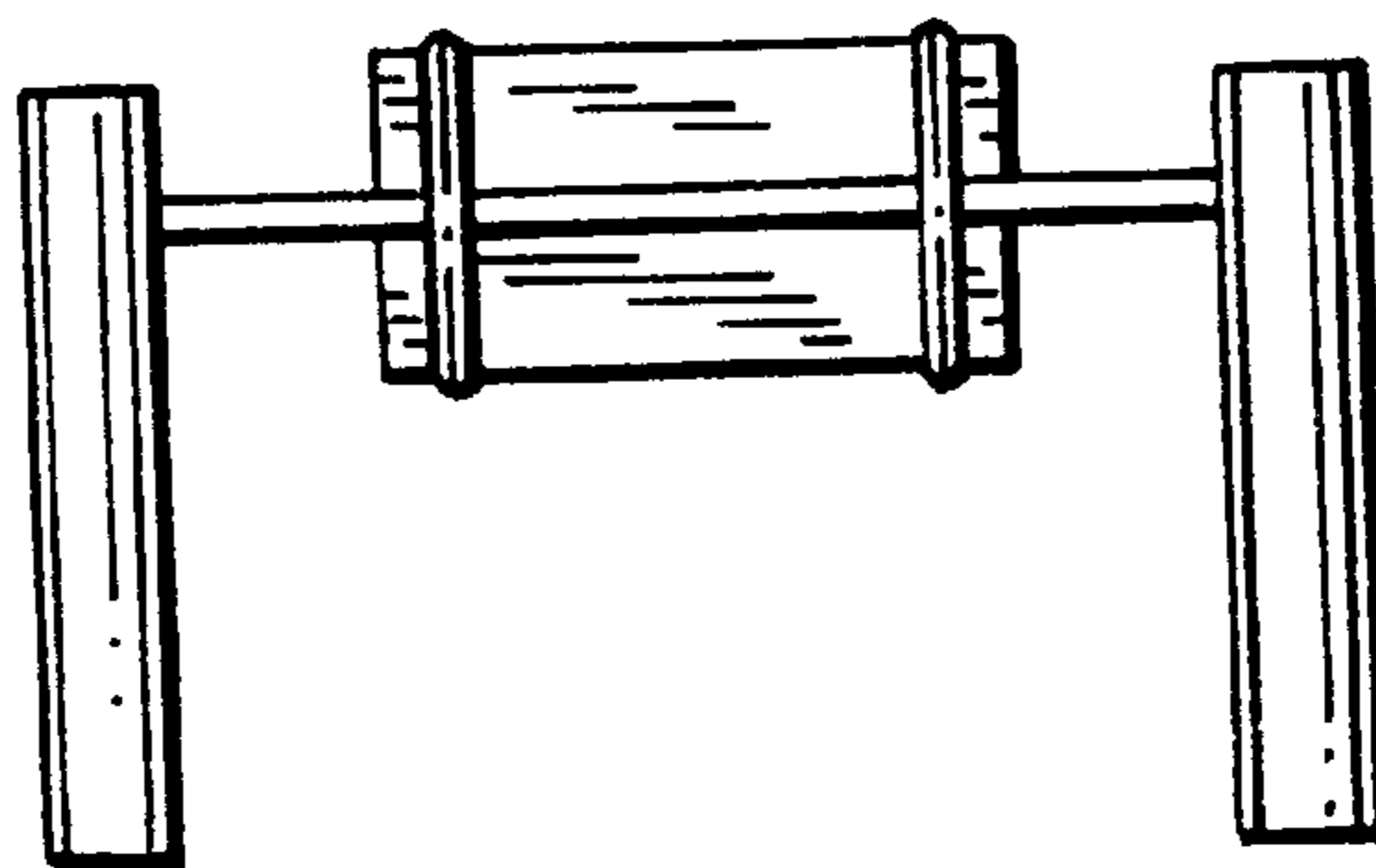
**1 Claim, 2 Drawing Sheets**



*FIG. 1*



*FIG. 2*



*FIG. 3*

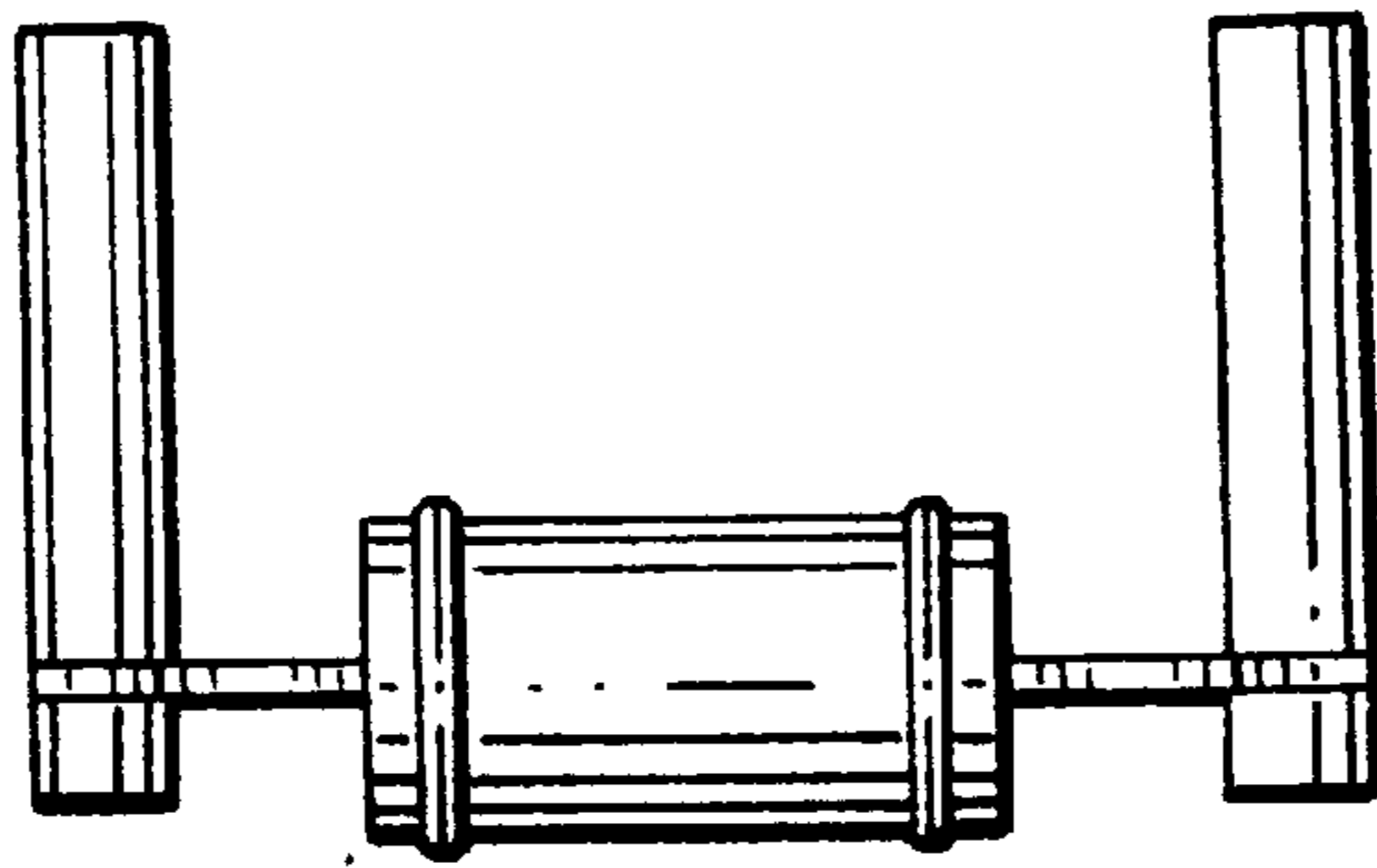


FIG. 4

FIG. 5

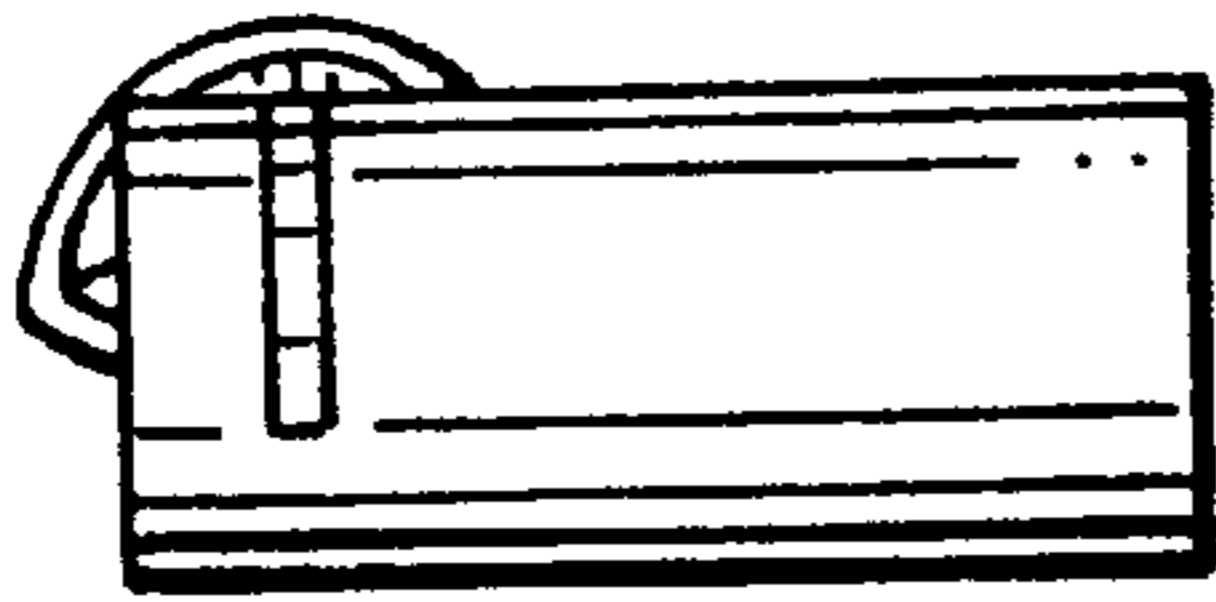


FIG. 6

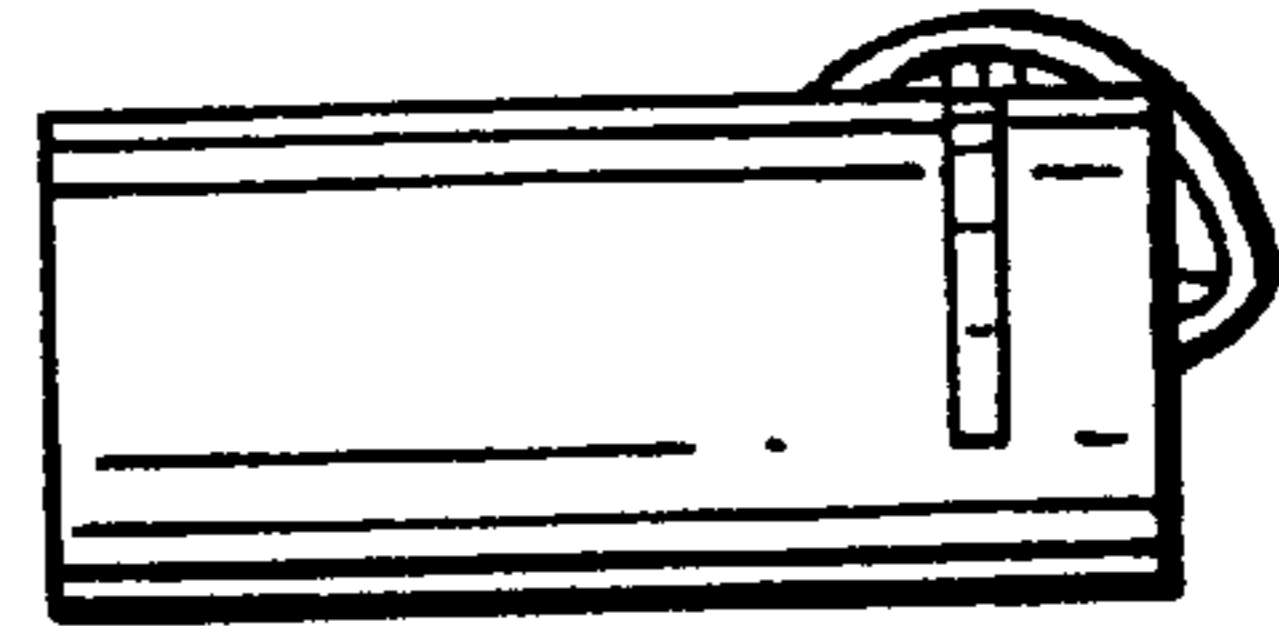


FIG. 7

