



US00D419015S

United States Patent [19]

[11] **Patent Number: Des. 419,015**

Umemoto

[45] **Date of Patent: ** Jan. 18, 2000**

[54] **PORTABLE PAPER TOWEL DISPENSER**

Attorney, Agent, or Firm—Goldstein & Canino

[76] Inventor: **Tom Umemoto**, 1668 255th St., Harbor City, Calif. 90710

[57] **CLAIM**

[**] Term: **14 Years**

The ornamental design for a portable paper towel dispenser, as shown and described.

[21] Appl. No.: **29/104,782**

DESCRIPTION

[22] Filed: **May 12, 1999**

FIG. 1 is a perspective view of a portable paper towel dispenser with a roll of paper towels shown in broken lines representing environmental association matter being for illustrative purposes only and forming no part of the claimed invention.

[51] **LOC (7) Cl.** **07-07**

[52] **U.S. Cl.** **D6/522**

[58] **Field of Search** D6/515-523; 312/34.1, 312/34.8; 248/309.1, 317

FIG. 2 is a front elevational view of the portable paper towel dispenser.

[56] **References Cited**

U.S. PATENT DOCUMENTS

- D. 301,667 6/1989 Barrs et al. D6/522 X
- D. 316,789 5/1991 McLaughlin D6/522
- D. 394,572 5/1998 Devaney D6/518

FIG. 3 is a rear elevational view thereof.

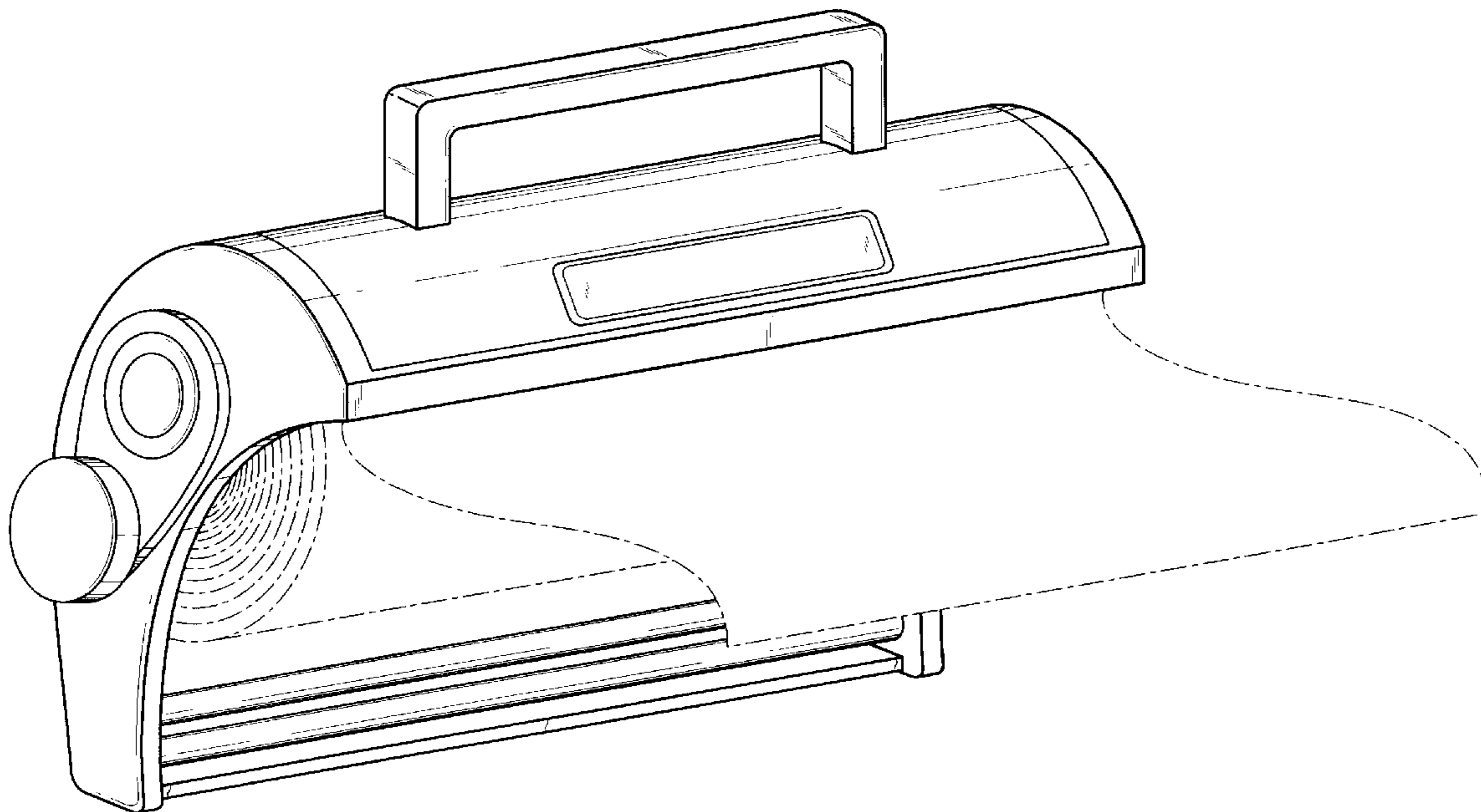
FIG. 4 is a left side elevational view thereof, the right side elevational view being a mirror image of the left side view.

FIG. 5 is a top plan view of the portable paper towel dispenser; and,

FIG. 6 is a bottom plan view thereof.

Primary Examiner—Brian N. Vinson

1 Claim, 3 Drawing Sheets



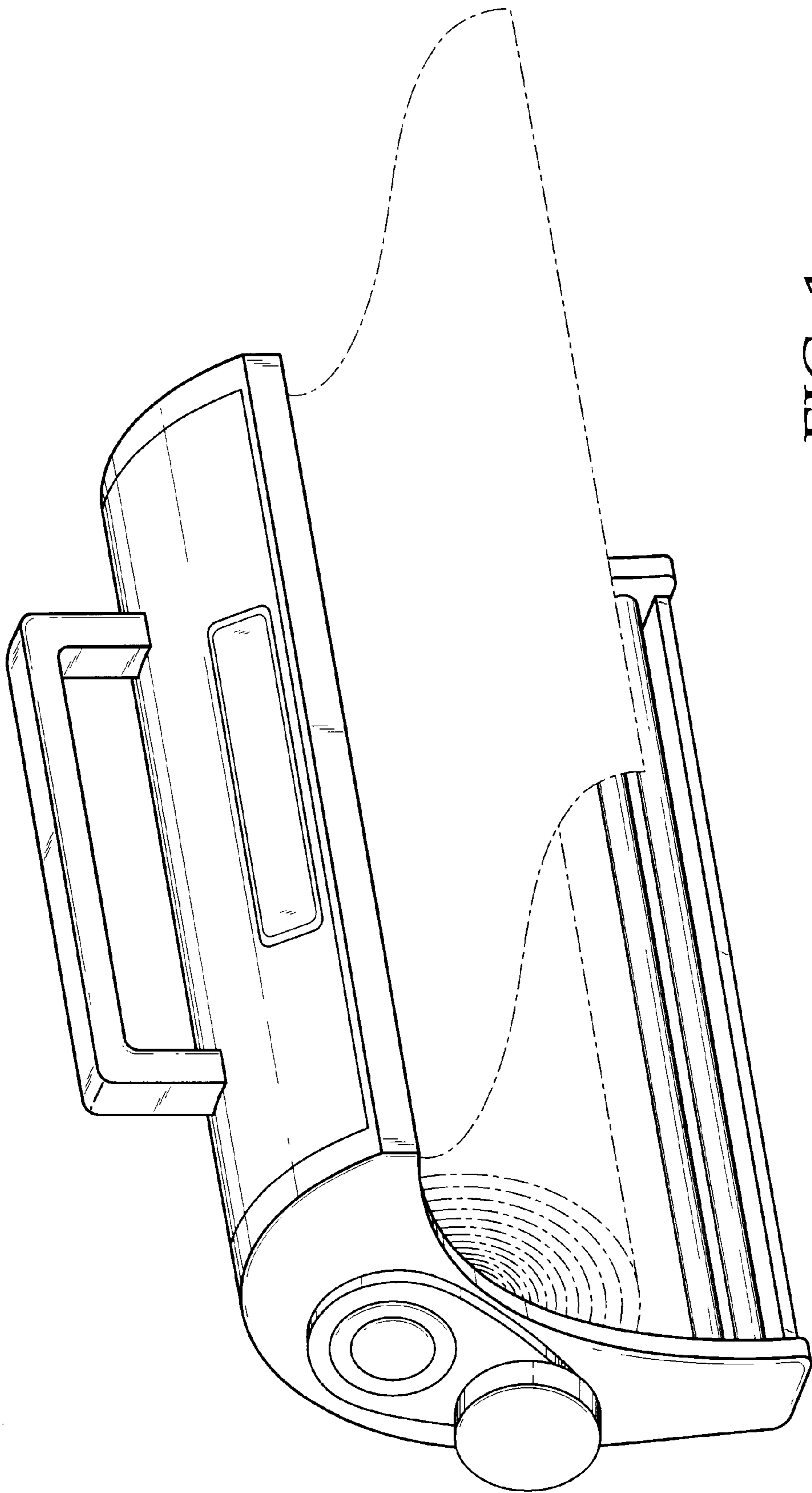


FIG. 1

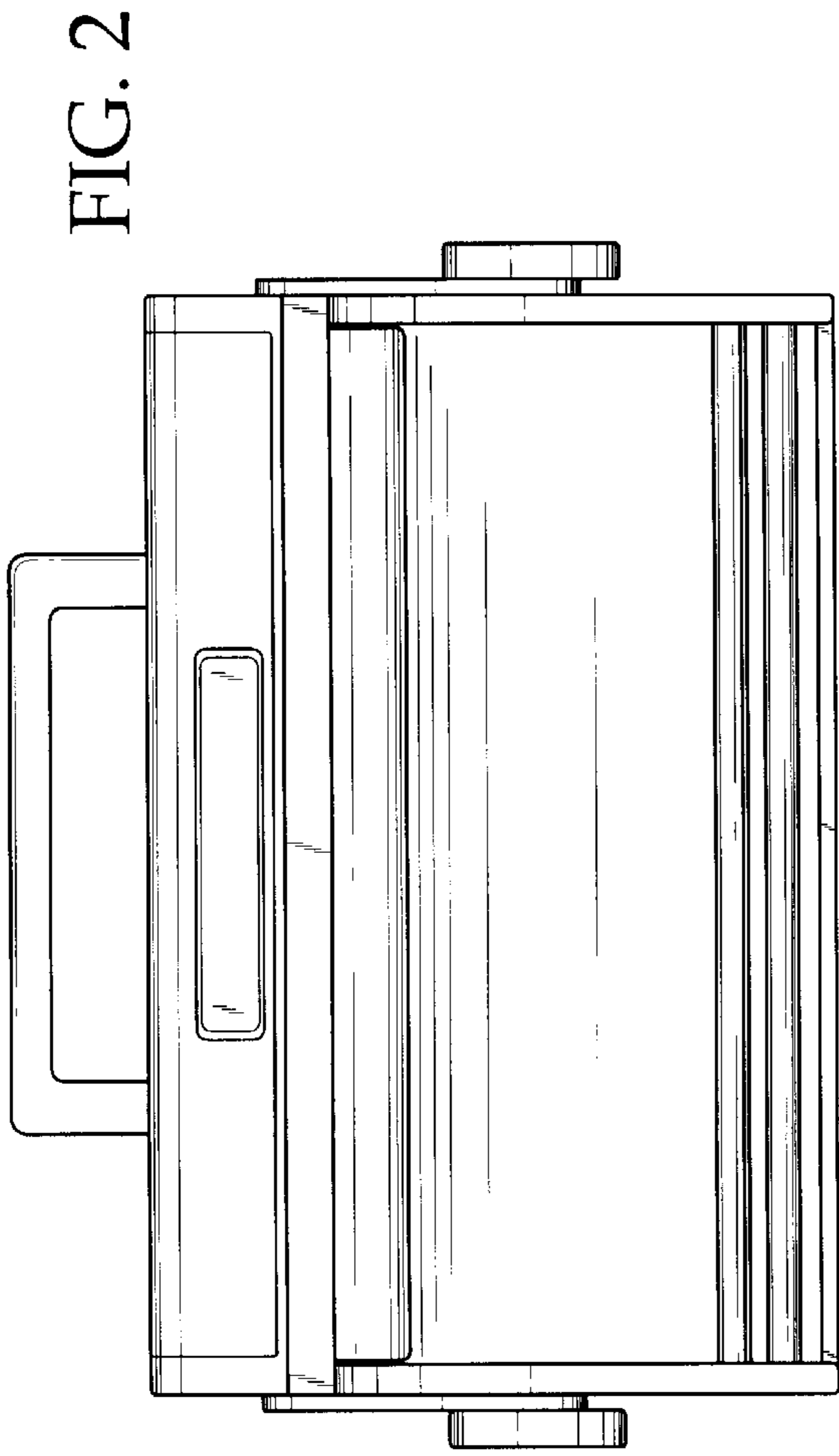


FIG. 2

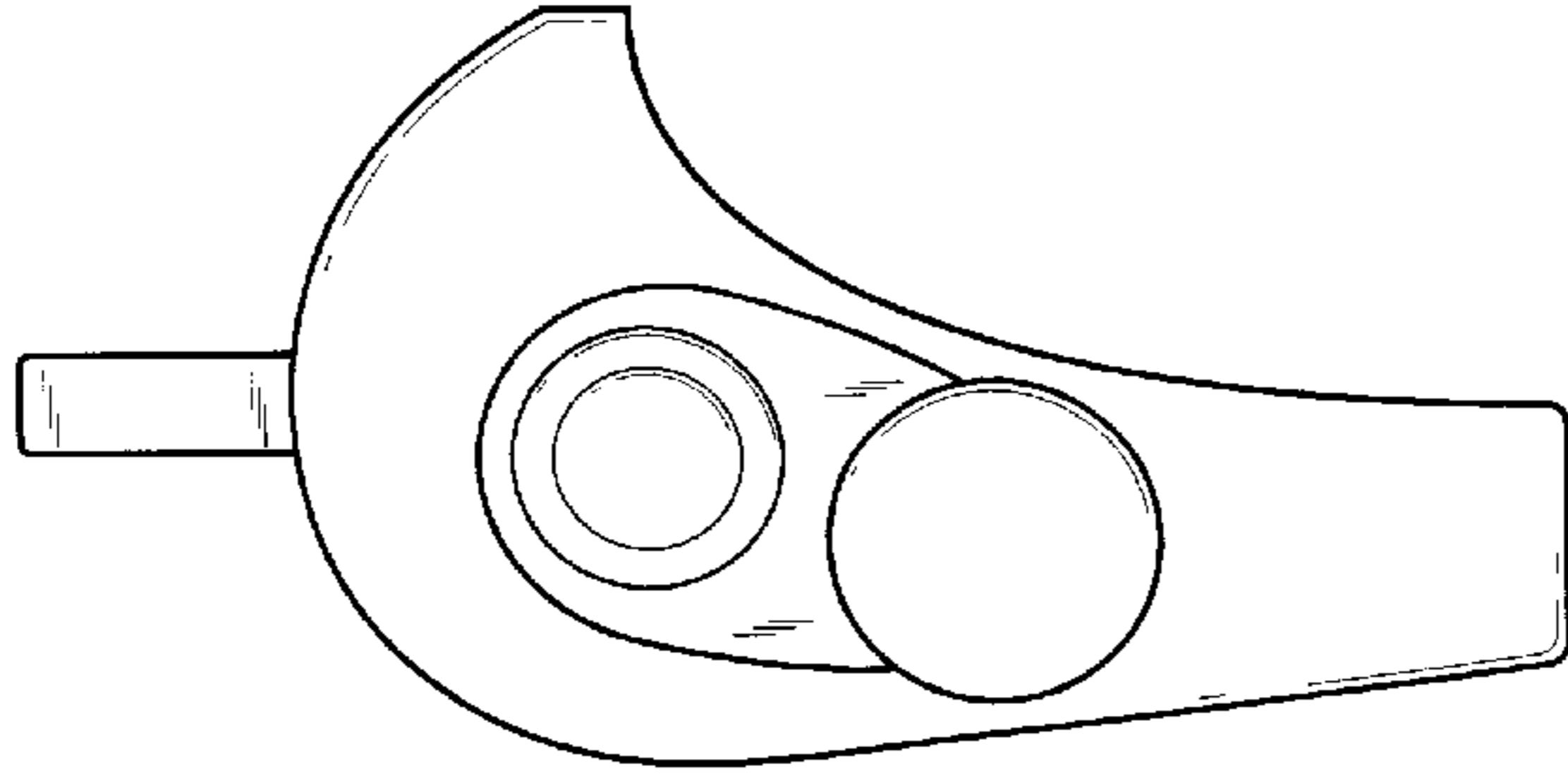


FIG. 4

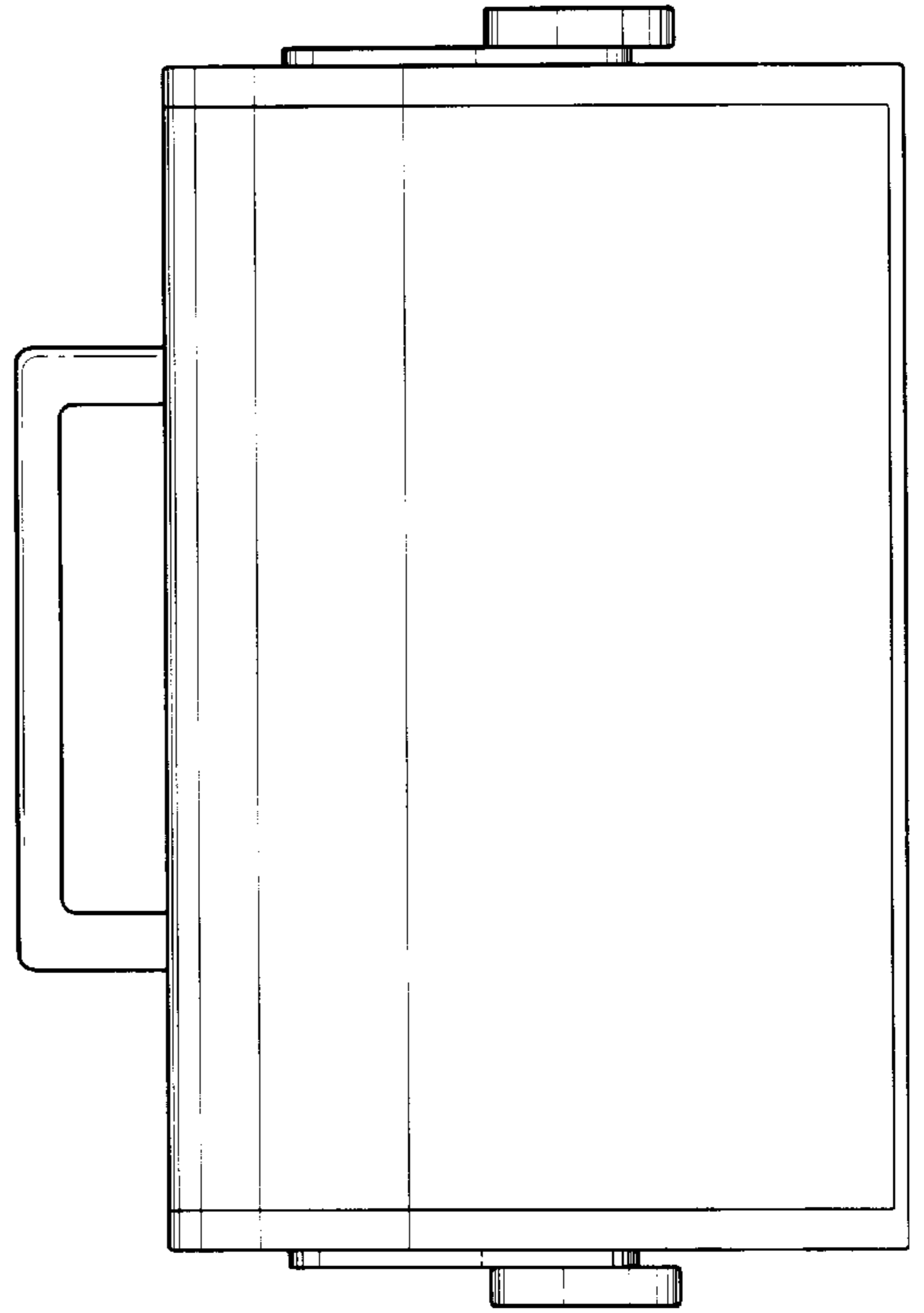


FIG. 3

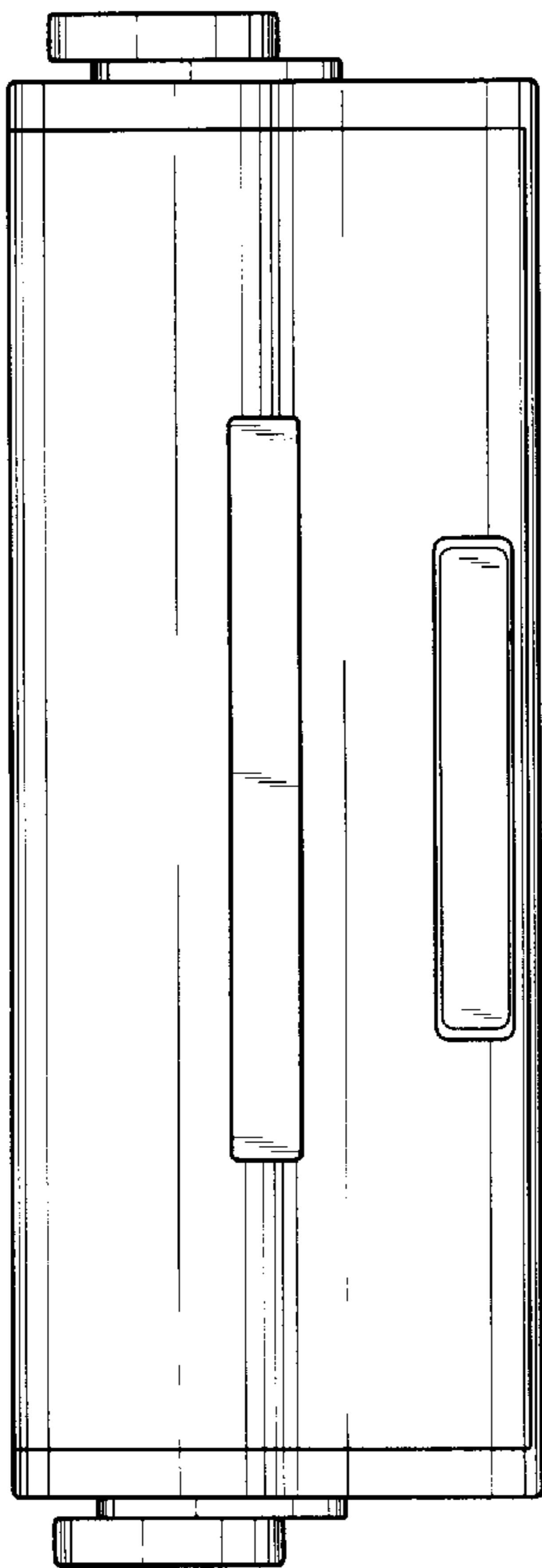


FIG. 5

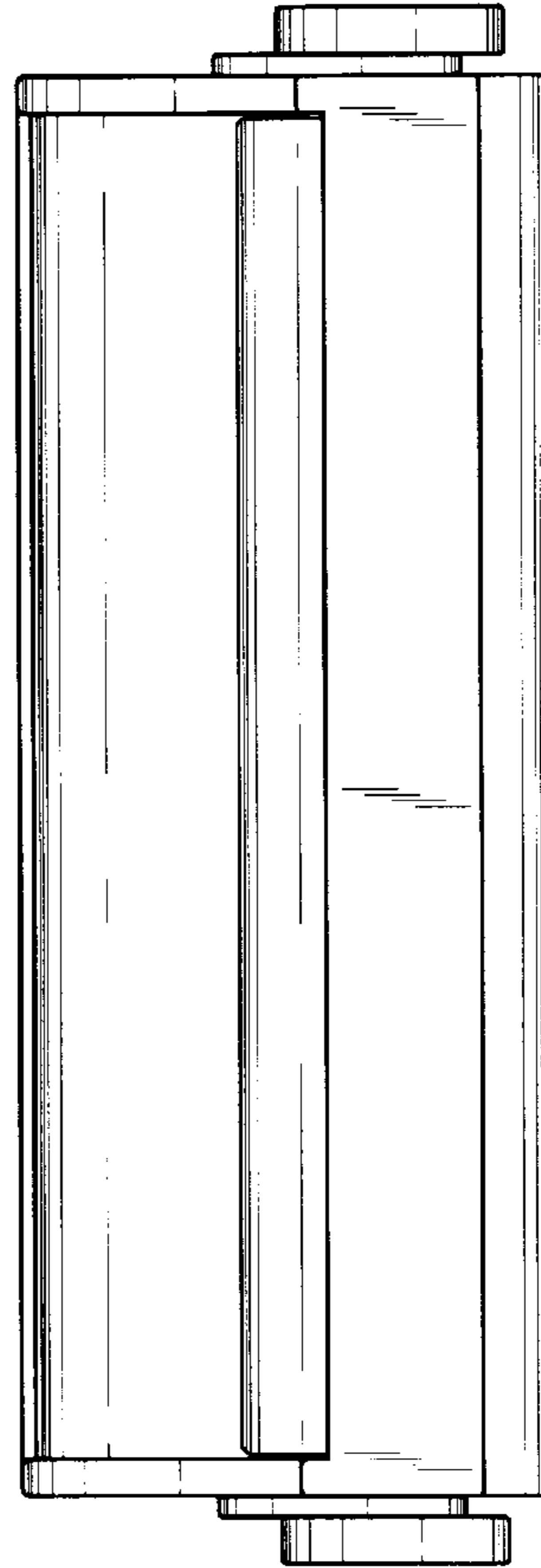


FIG. 6