



US00D419014S

United States Patent [19]

Fluegge et al.

[11] Patent Number: Des. 419,014

[45] Date of Patent: ** Jan. 18, 2000

[54] PAPER TOWEL DISPENSER

[75] Inventors: **Craig A. Fluegge**, Milwaukee; **Brian Hubanks**, Dousman, both of Wis.

[73] Assignee: **San Jamar, Inc.**, Elkhorn, Wis.

[**] Term: **14 Years**

[21] Appl. No.: **29/097,725**

[22] Filed: **Dec. 11, 1998**

[51] LOC (7) Cl. **07-07**

[52] U.S. Cl. **D6/522**

[58] Field of Search D6/518, 521-523;
242/570, 600; 312/34.1, 34.4, 34.8, 34.24;
206/389

[56] **References Cited**

U.S. PATENT DOCUMENTS

D. 96,671	8/1935	Horwitt	D6/518
D. 166,782	5/1952	Weskna	D6/523
D. 175,251	8/1955	Goldberg	D6/523
D. 208,017	7/1967	Minzer	D6/523
D. 216,740	3/1970	Bye	D6/522

D. 316,789	5/1991	McLaughlin	D6/522
D. 327,798	7/1992	Addison et al.	D6/523
D. 332,193	1/1993	Petterson et al.	D6/518

Primary Examiner—Brian N. Vinson
Attorney, Agent, or Firm—Michael Best & Friedrich LLP

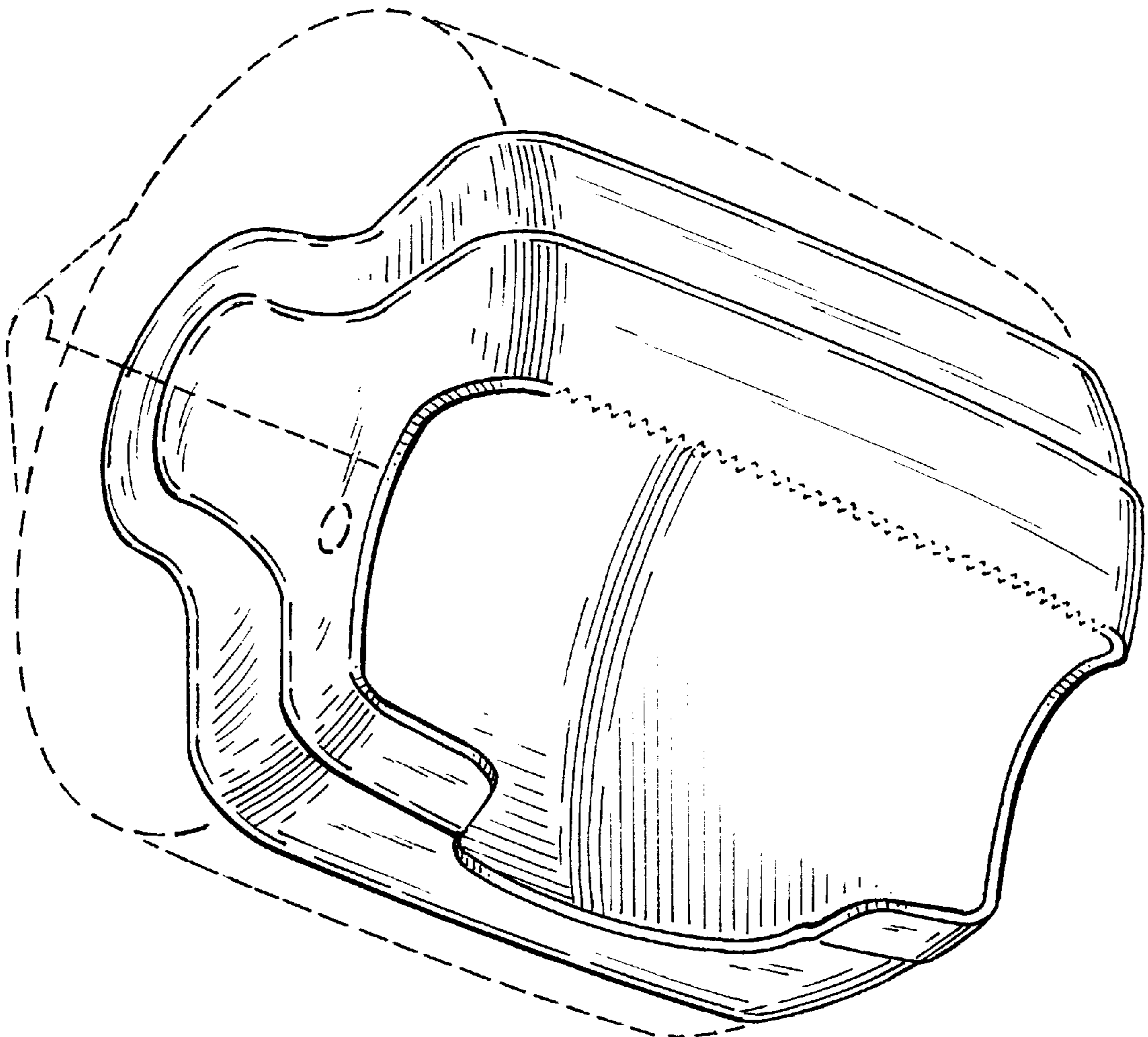
[57] **CLAIM**

We claim the ornamental design for paper towel dispenser, as shown and described.

DESCRIPTION

FIG. 1 is a perspective view of the towel dispenser. FIG. 2 is a top view of the towel dispenser. FIG. 3 is a front view of the towel dispenser. FIG. 4 is a bottom view of the towel dispenser; and, FIG. 5 is a left side view of the towel dispenser. The right side view is a mirror image of the left side view. The towel dispenser is formed in two halves that are hinged together to form a generally cylindrical container/dispenser for towels. The seam between the halves, the mounting elements, a portion of the exterior, and the serrated edge for tearing-off towels are shown in phantom and are not part of the claimed ornamental design.

1 Claim, 4 Drawing Sheets



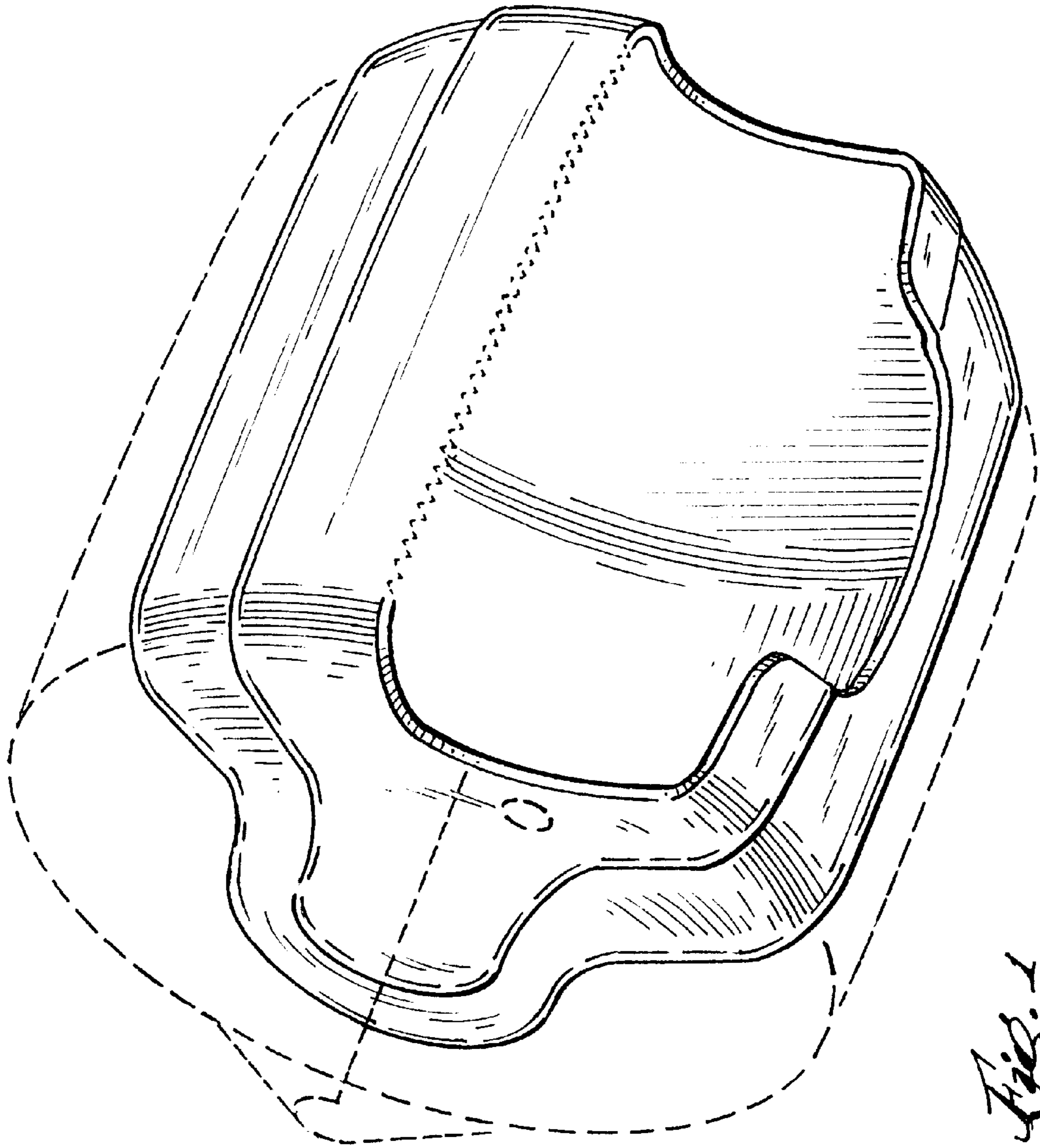


Fig. 1

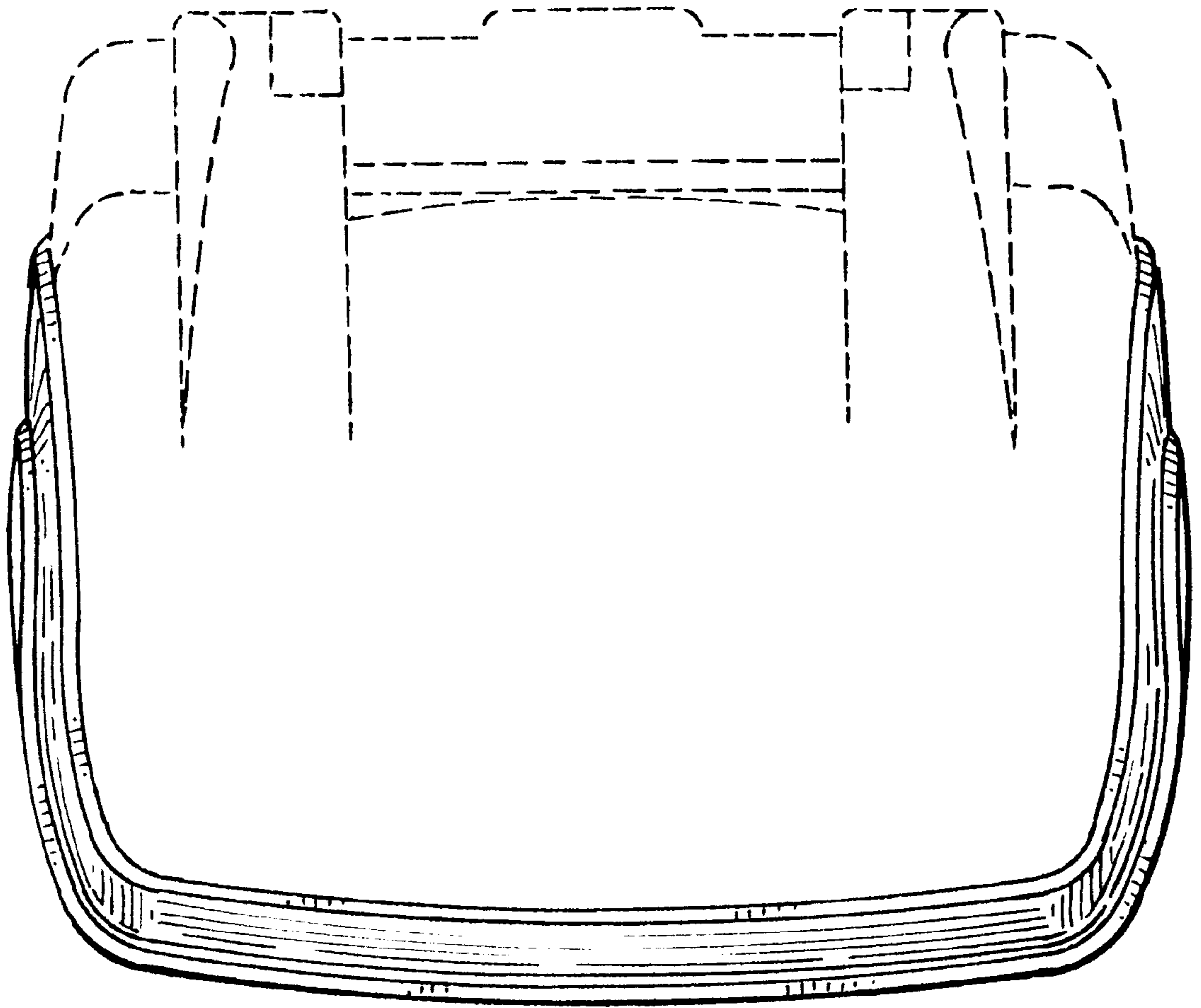


Fig. 2

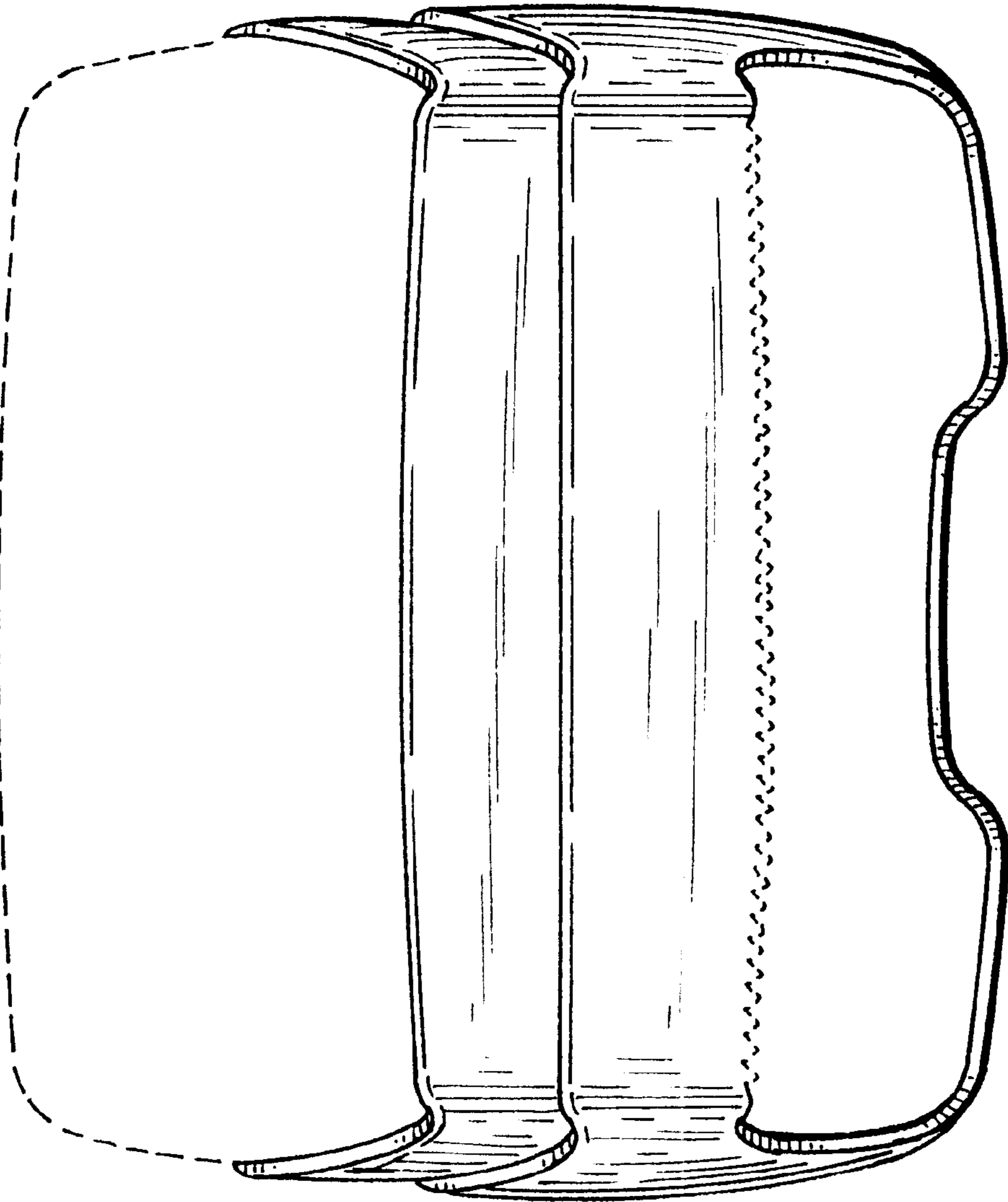


Fig. 3

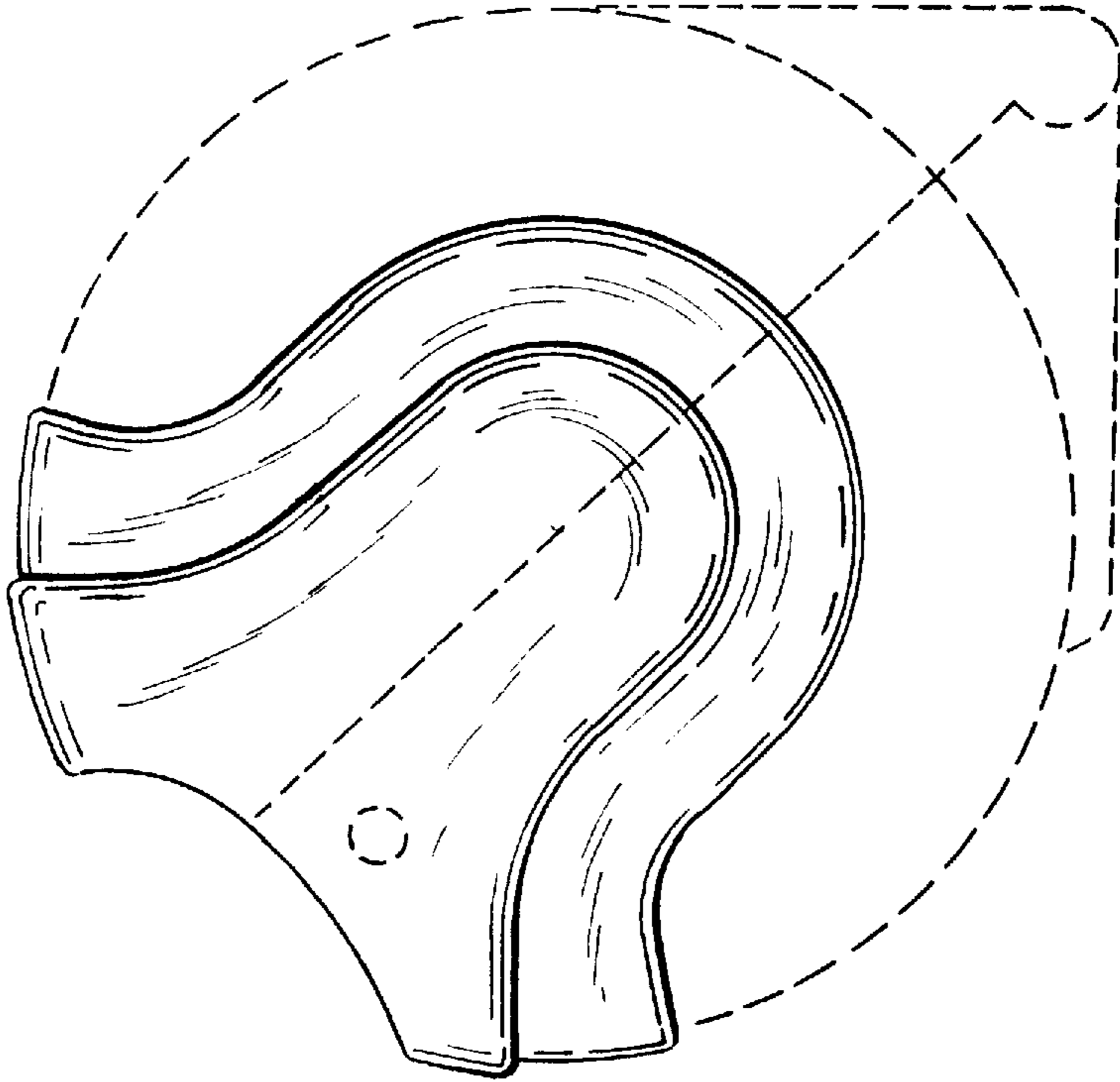


Fig. 5

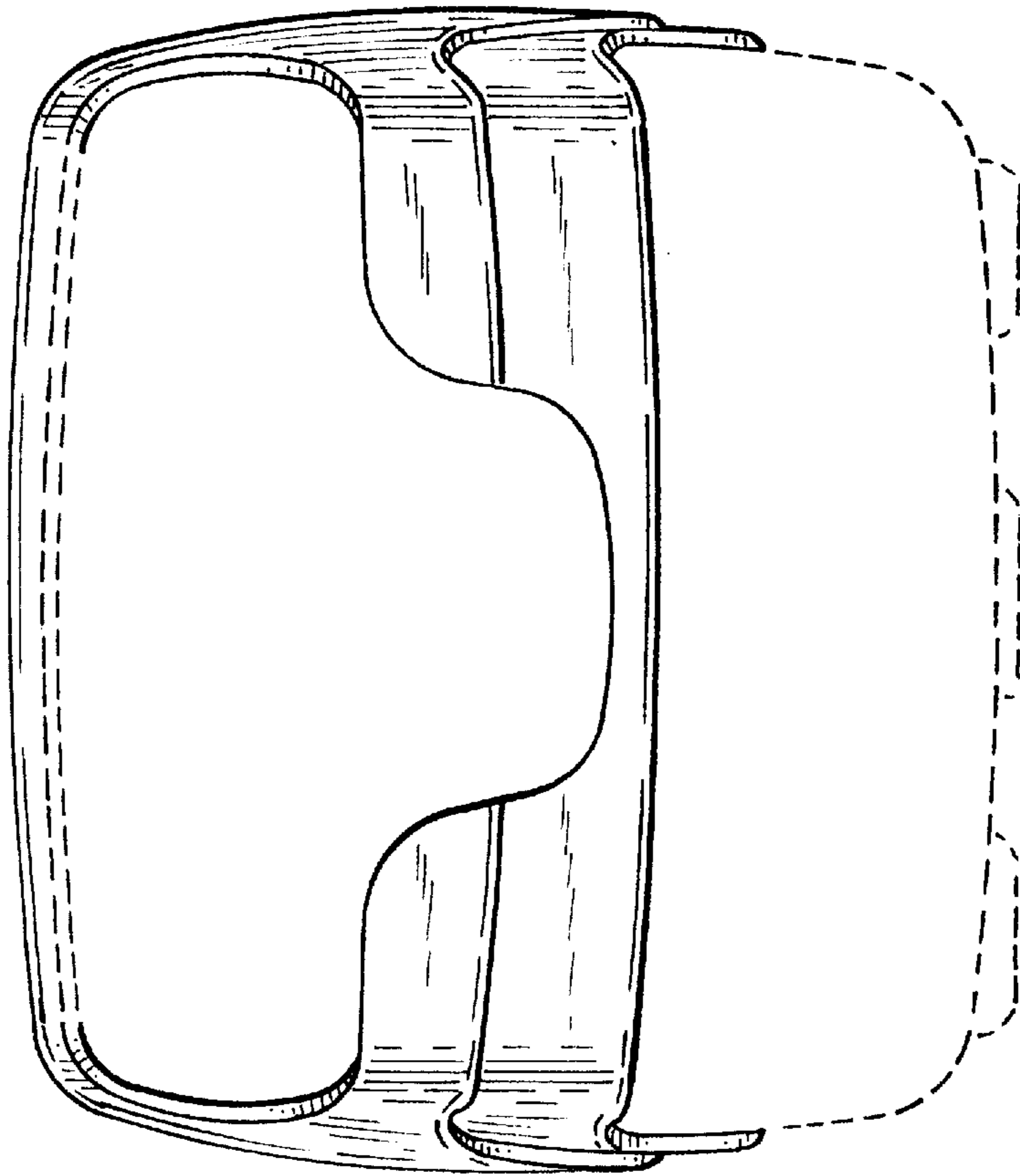


Fig. 4