



US00D419012S

# United States Patent [19] Wiggins, Jr.

[11] **Patent Number: Des. 419,012**  
[45] **Date of Patent: \*\* Jan. 18, 2000**

[54] **ILLUMINATED TOILET PAPER HOLDER**

[75] Inventor: **Leroy Wiggins, Jr.**, Buffalo, N.Y.  
[73] Assignee: **WiggCo Designs LLC**, Buffalo, N.Y.  
[\*\*] Term: **14 Years**

[21] Appl. No.: **29/104,287**  
[22] Filed: **May 3, 1999**

[51] **LOC (7) Cl.** ..... **07-07**  
[52] **U.S. Cl.** ..... **D6/520**  
[58] **Field of Search** ..... D6/515-523; D26/34;  
312/34.8, 34.1; 242/570, 600, 601; 206/228,  
389

[56] **References Cited**

**U.S. PATENT DOCUMENTS**

D. 307,086	4/1990	Van Marcke et al. ....	D6/520
D. 314,301	2/1991	Cooke .....	D6/520
D. 389,683	1/1998	Herrera .....	D6/520
2,534,290	12/1950	Moskowitz .....	312/34.8 X
3,316,040	4/1967	McGann .....	312/34.8 X

**OTHER PUBLICATIONS**

T.T.T. Toilet Tissue Tube from T.T.T. Design International. Received from their web page on Jan. 22, 1999.  
Toilet Tissue Caddy from the Home Trends publication. Catalogue No. G-2, p. 57, (Undated).  
Tissue Tower from the Harriet Carter publication. Catalogue No. K-19-123, p. 6, (Undated).

Bathroom Tissue Holder from Starcrest of California. Catalogue dated Dec. 1997.  
Handcrafted Pine Toilet Tissue Holder from iQVC Shop. Received from their web page on Jul. 27, 1997.  
Wooden Tissue Holder from Finger Hut publication. (Not sure on catalogue date, but within the last two years.) (Undated).  
Wire basket Toilet Tissue Paper Holder from Lillian Vernon publication. Anniversary issue, vol. 802, p. 28, (Undated).  
Wicker basket Toilet Tissue Paper Holder from Lillian Vernon publication. Anniversary issue, vol. 802, p. 27, (Undated).  
Stainless Steel Tissue Paper Holder from Lillian Vernon publication. Anniversary issue, vol. 802, p. 30, (Undated).

*Primary Examiner*—Brian N. Vinson  
*Attorney, Agent, or Firm*—Simpson, Simpson & Snyder

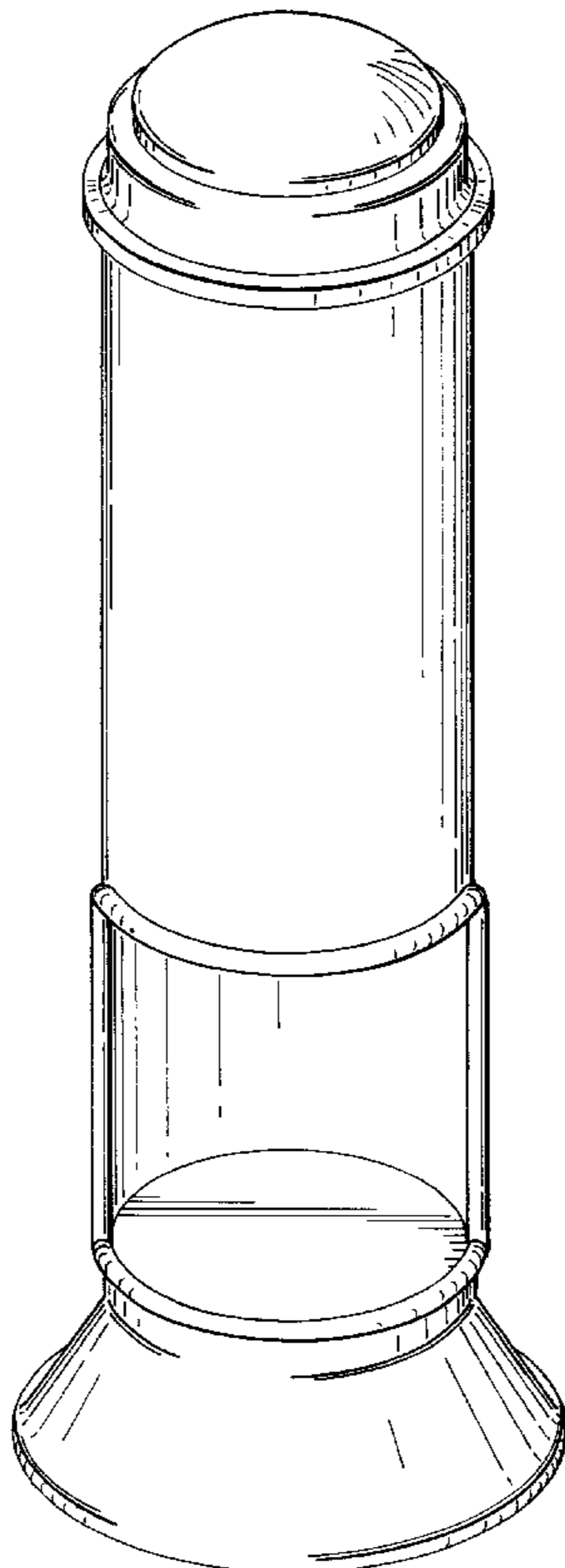
[57] **CLAIM**

The ornamental design for an illuminated toilet paper holder, as shown and described.

**DESCRIPTION**

FIG. 1 is a front, upper prospective view showing my new design;  
FIG. 2 is a front, lower prospective view thereof;  
FIG. 3 is a side elevational view thereof, as viewed from the right side of FIG. 1 with the opposite side being a mirror image of that shown in FIG. 3;  
FIG. 4 is a rear elevational view thereof;  
FIG. 5 is a top plan view thereof; and,  
FIG. 6 is a bottom plan view thereof.

**1 Claim, 3 Drawing Sheets**



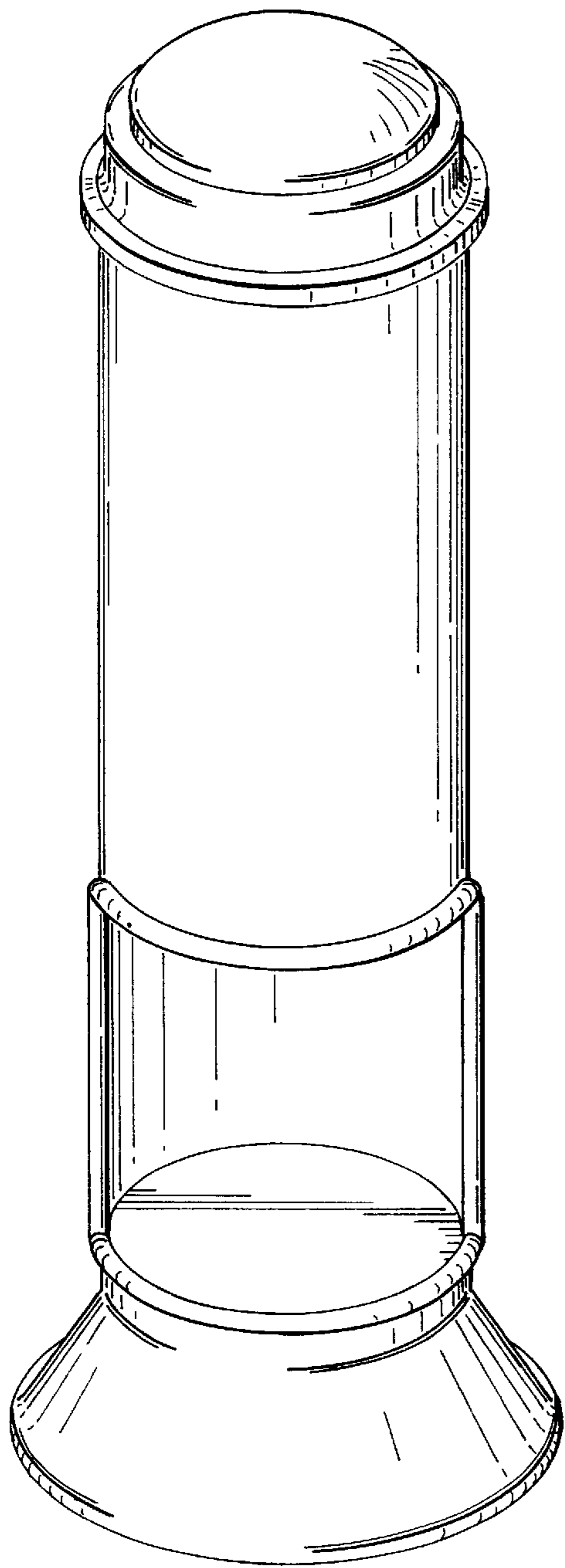
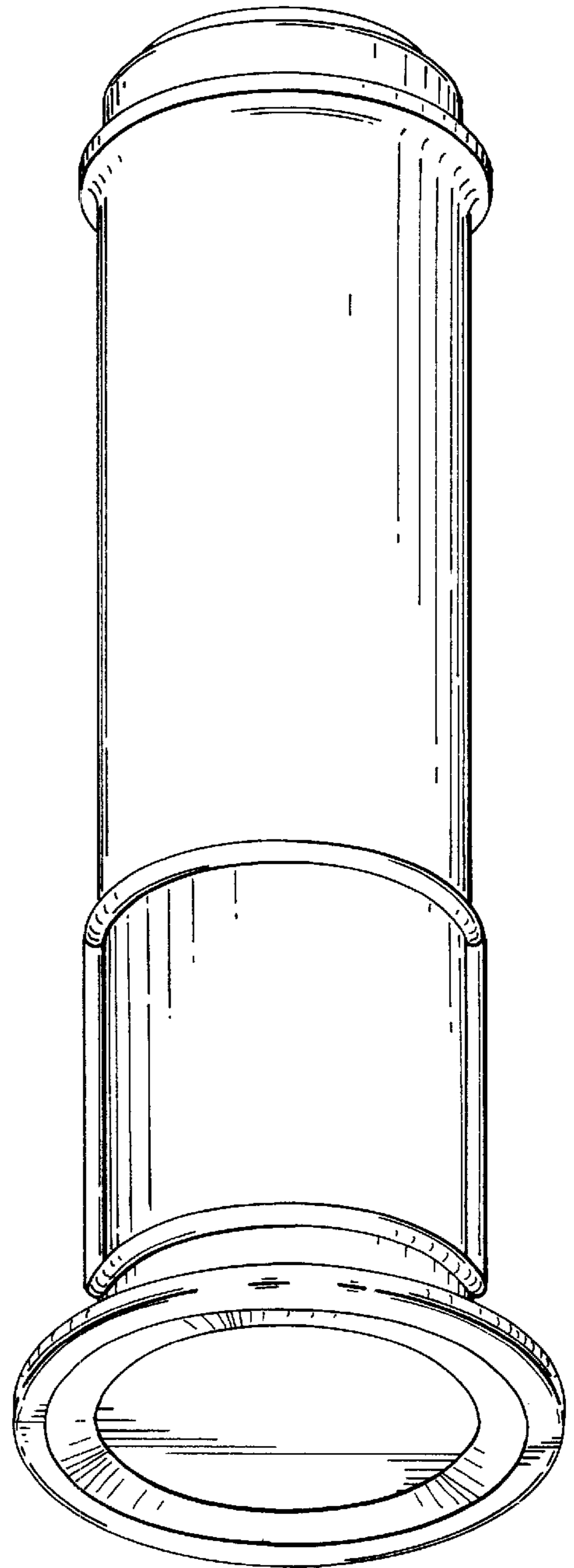


FIG. 1

FIG. 2



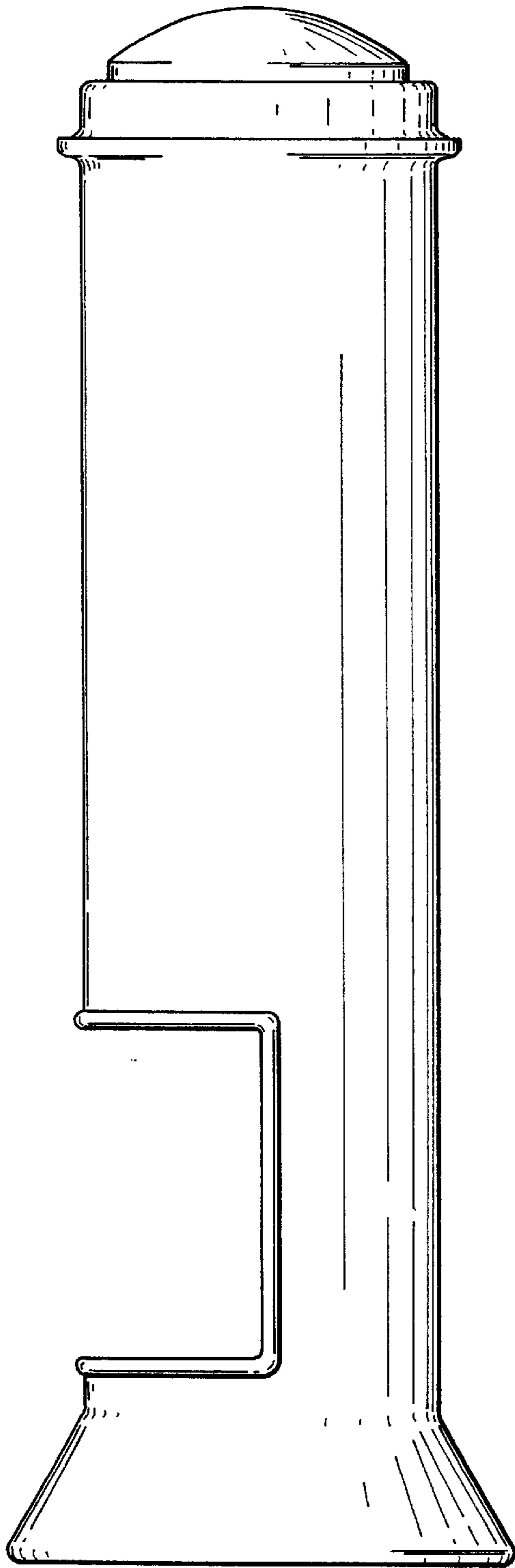


FIG. 3

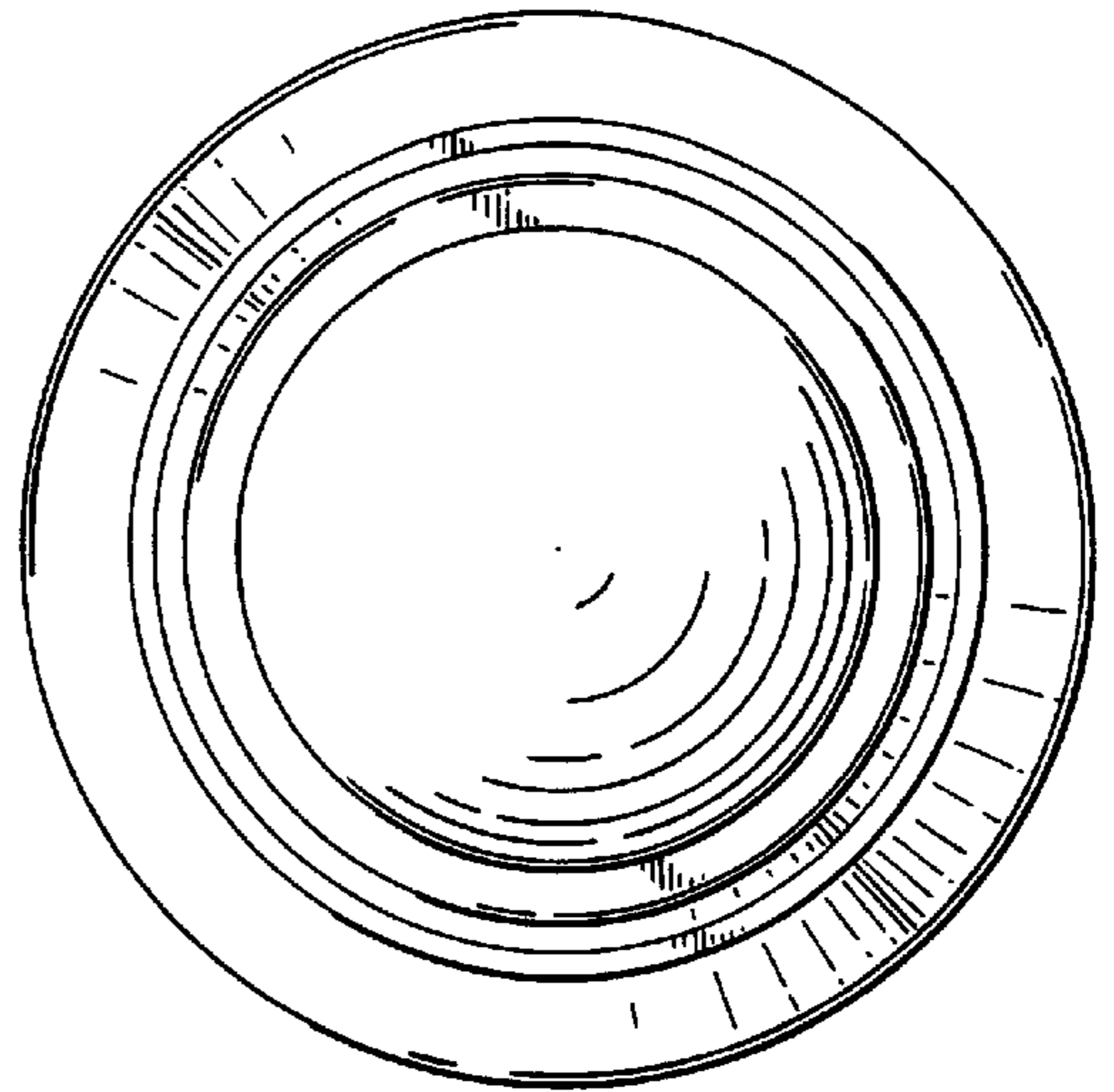


FIG. 5

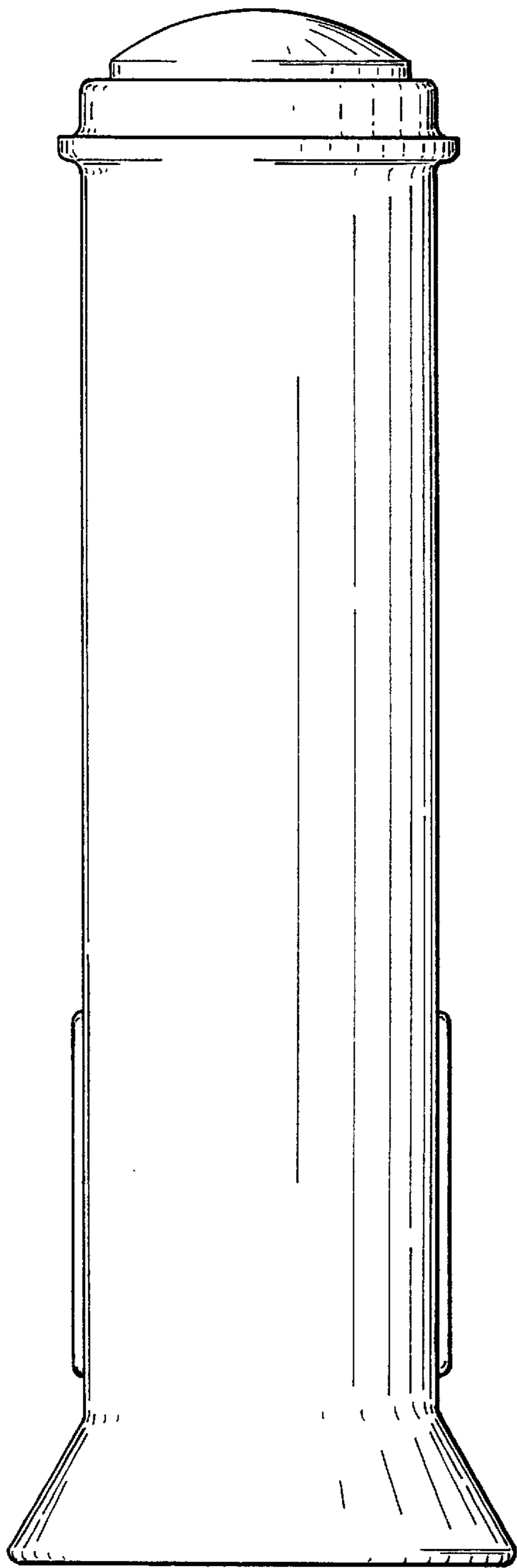


FIG. 4

FIG. 6

