



US00D419011S

United States Patent [19] Gilmore

[11] **Patent Number: Des. 419,011**
[45] **Date of Patent: ** Jan. 18, 2000**

[54] **COMBINED TOILET TISSUE HOLDER/
STORAGE DEVICE**

D. 377,284 1/1997 Farrow et al. D6/519
5,878,893 3/1999 Micienko 211/13.1

[75] Inventor: **Benjamin E. Gilmore**, Redondo Beach,
Calif.

Primary Examiner—Brian N. Vinson
Attorney, Agent, or Firm—Sheldon & Mak

[73] Assignee: **Perrin Manufacturing Company**, City
of Industry, Calif.

[57] **CLAIM**

The ornamental design for a combination toilet tissue
holder/storage device, as shown and described.

[**] Term: **14 Years**

DESCRIPTION

[21] Appl. No.: **29/098,278**

FIG. 1 is a perspective view of a combination toilet tissue
holder/storage device according to the present invention;
FIG. 2 is a front elevation view of the device of FIG. 1;
FIG. 3 is a side elevation view taken along line 3—3 of FIG.
2 of the device of FIG. 1, wherein the other side view is a
mirror reflection of FIG. 3;
FIG. 4 is a rear elevation view of the device of FIG. 1;
FIG. 5 is a top plan view of the device of FIG. 1;
FIG. 6 is a bottom plan view of the device of FIG. 1; and,
FIG. 7 is a sectional view of the device of FIG. 1 taken along
line 7—7 in FIG. 2.

[22] Filed: **Dec. 24, 1998**

[51] **LOC (7) Cl.** **07-07**

[52] **U.S. Cl.** **D6/519; D6/523**

[58] **Field of Search** D6/518–523; 206/225,
206/389, 425; 211/13.1, 42, 44, 86–88;
312/34.1, 34.8, 34.22, 245

[56] **References Cited**

U.S. PATENT DOCUMENTS

D. 174,682 5/1955 Delaney D6/519

1 Claim, 3 Drawing Sheets

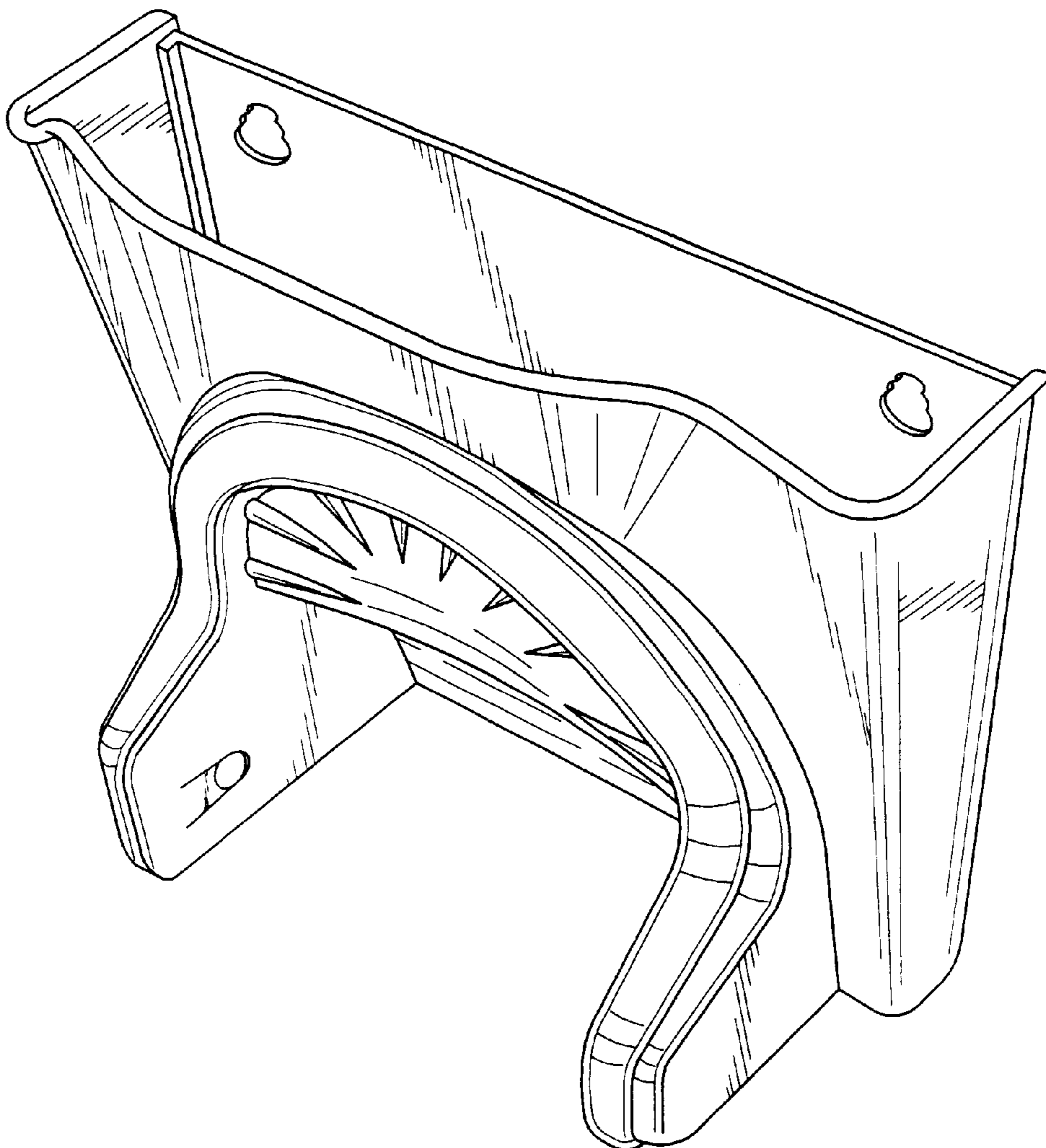


FIG. 1

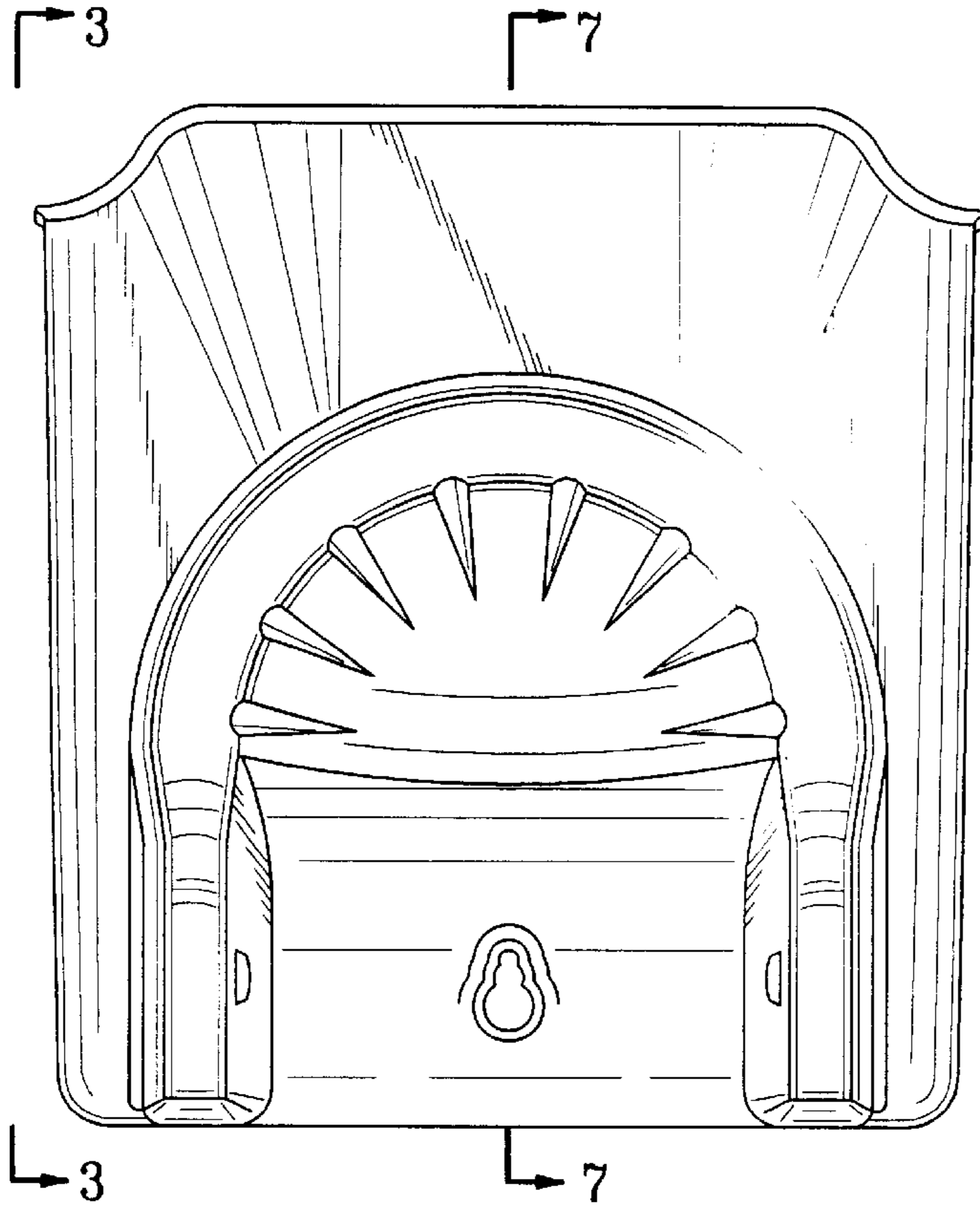
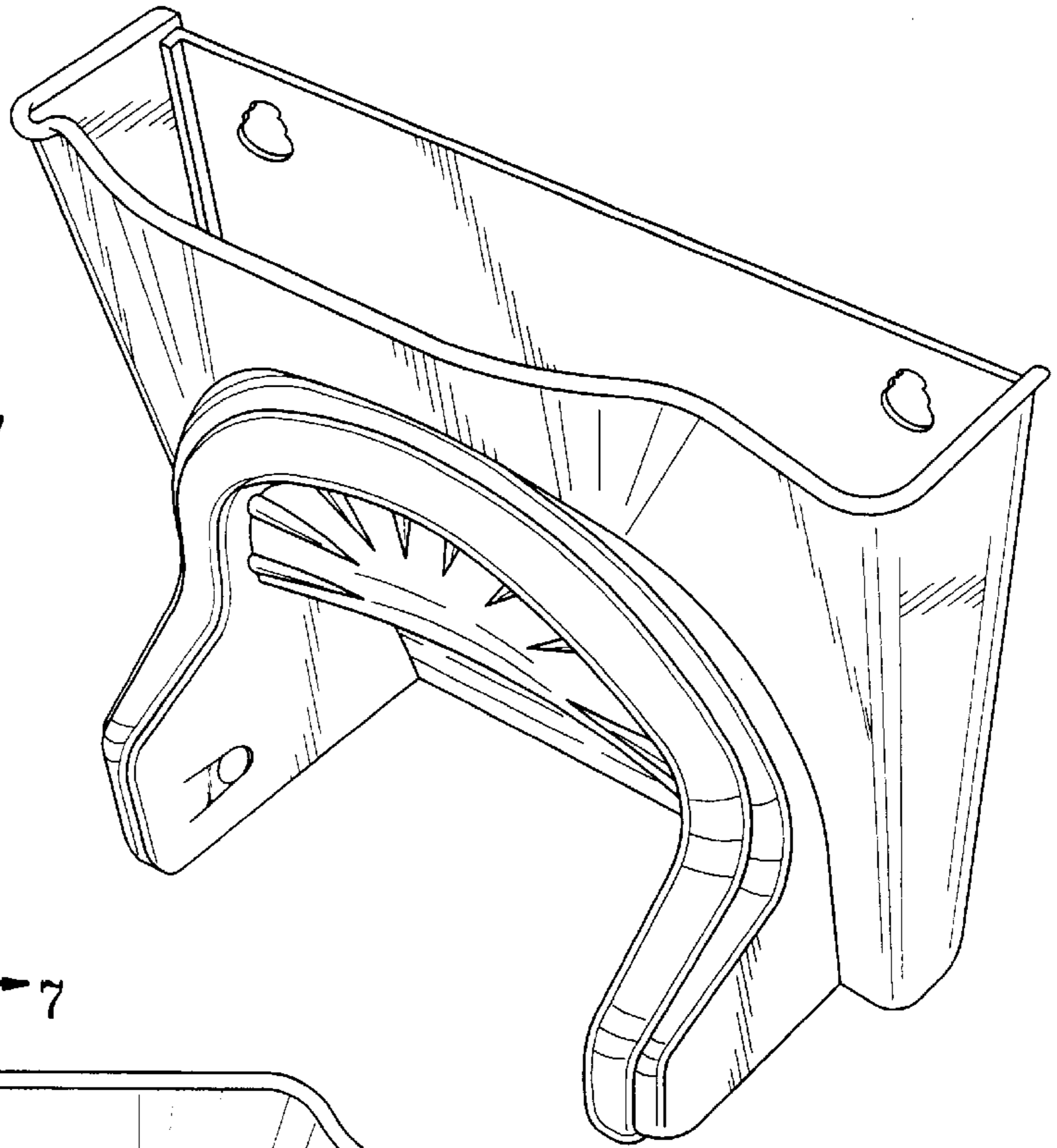


FIG. 2

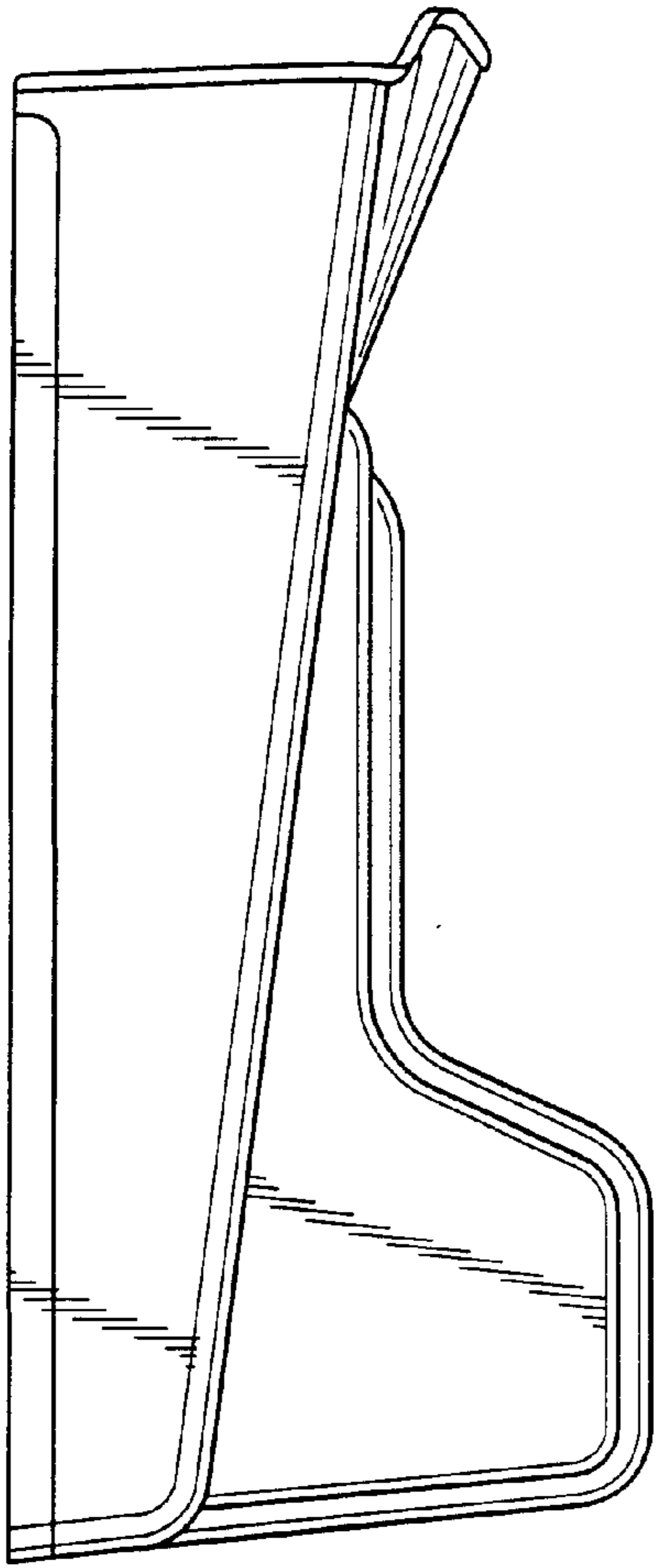


FIG. 3

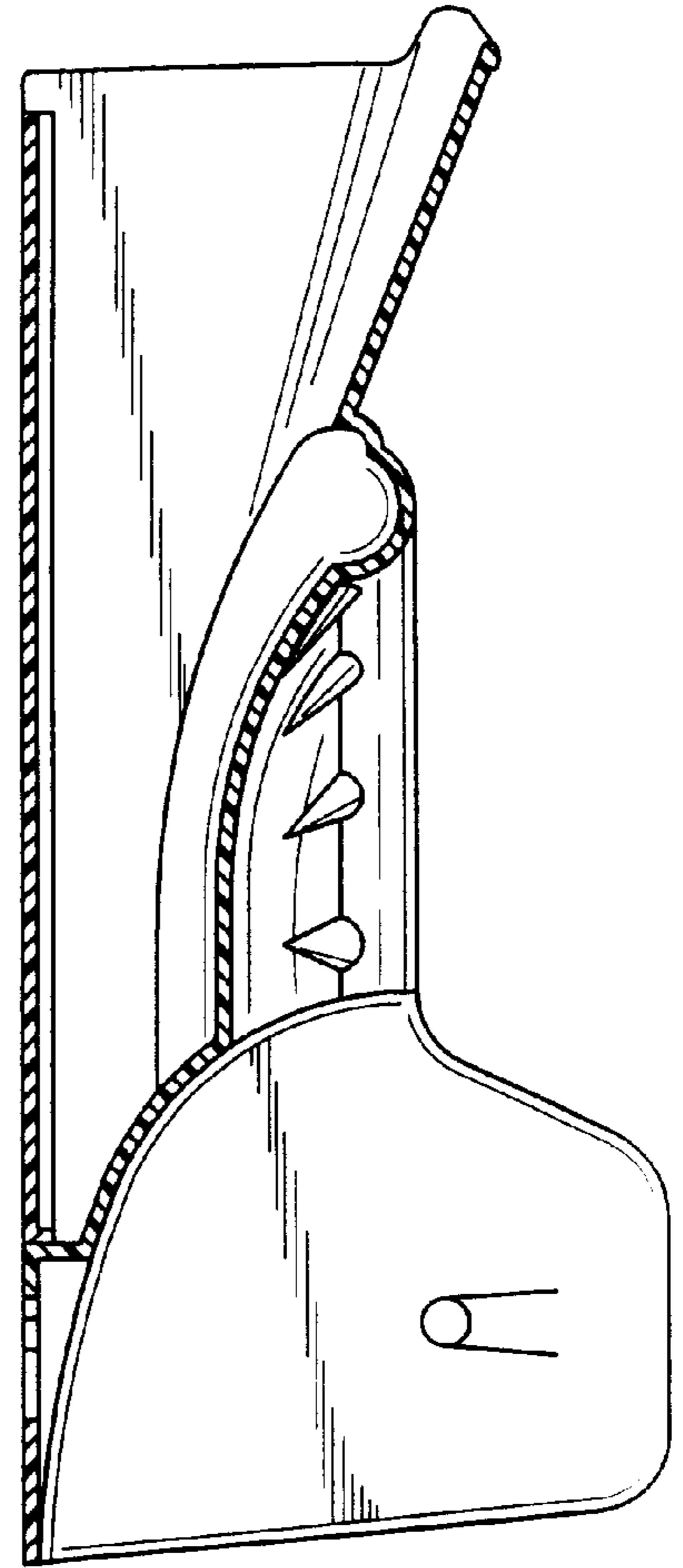


FIG. 7

FIG. 4

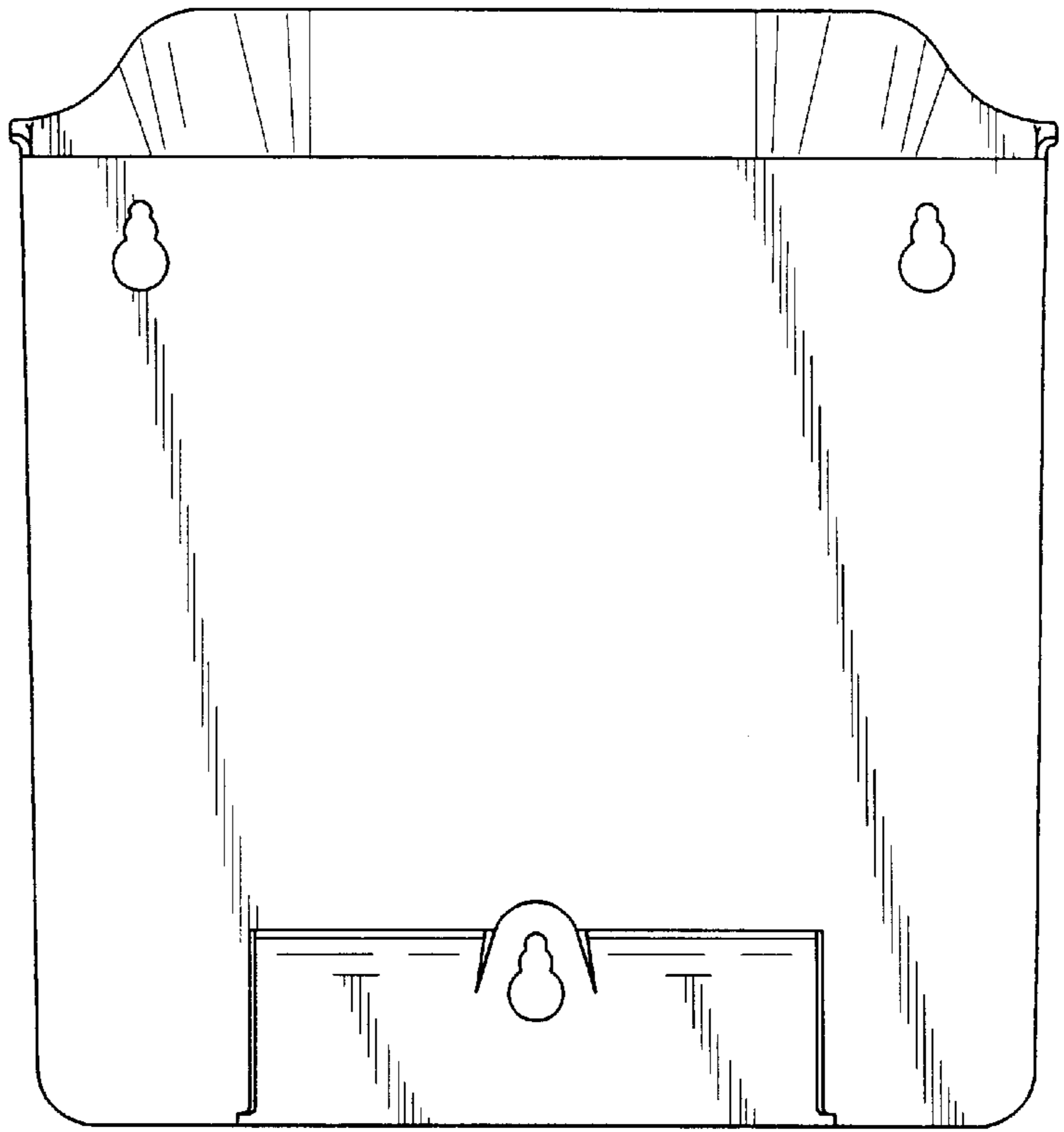


FIG. 5

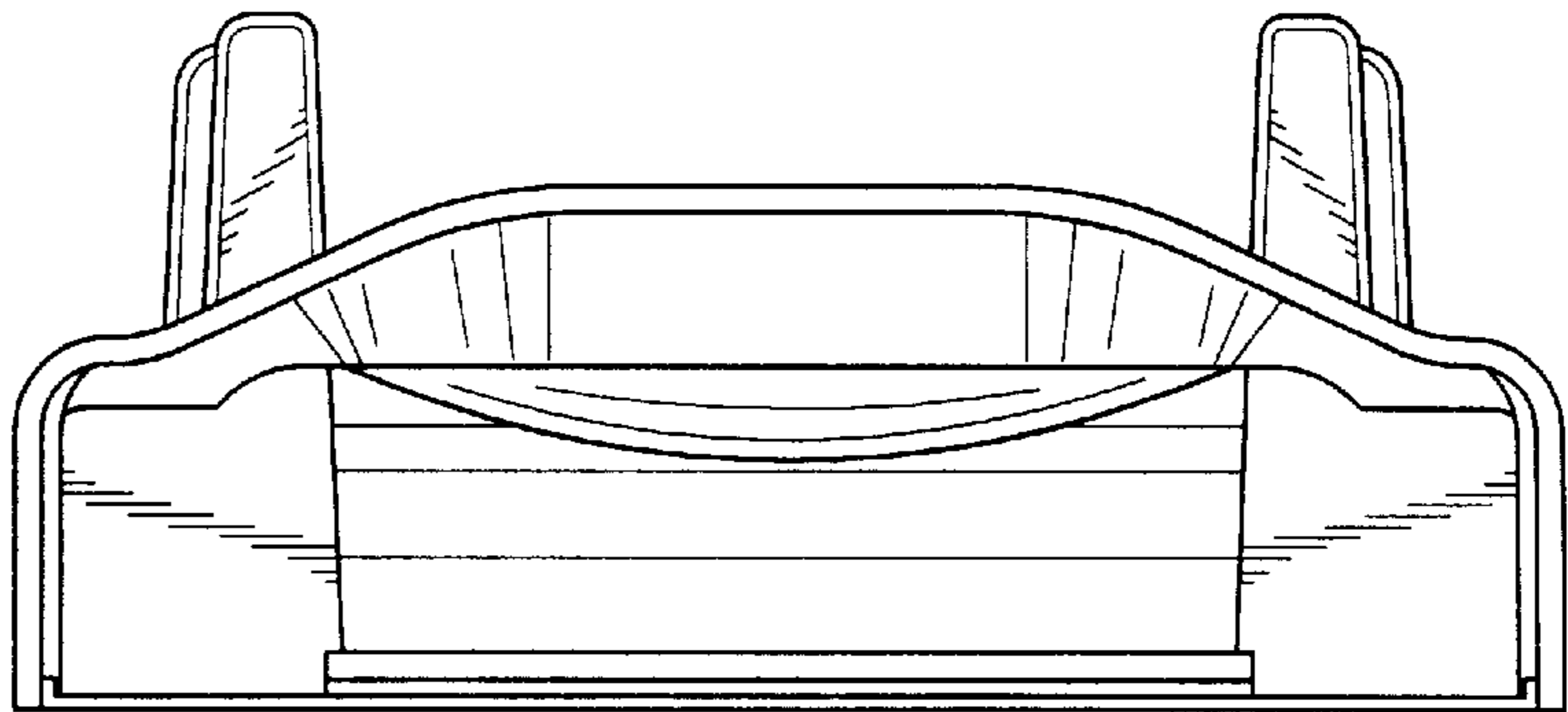


FIG. 6

