



US00D419009S

# United States Patent [19]

Mohat

[11] **Patent Number: Des. 419,009**

[45] **Date of Patent: \*\* Jan. 18, 2000**

[54] **DISPENSING TOWER INCLUDING A DETACHABLE MERCHANDISER**

[75] Inventor: **Nicholas Mohat**, San Antonio, Tex.

[73] Assignee: **Lancer Partnership, Ltd.**, San Antonio, Tex.

[\*\*] Term: **14 Years**

[21] Appl. No.: **29/092,406**

[22] Filed: **Aug. 18, 1998**

[51] **LOC (7) Cl.** ..... **06-02**

[52] **U.S. Cl.** ..... **D6/515**

[58] **Field of Search** ..... D6/515-518, 408, D6/475, 466; 211/13, 50, 59.2, 49.1; 312/42, 45; 221/45, 191

[56] **References Cited**

**U.S. PATENT DOCUMENTS**

D. 140,566	3/1945	Herrera	.....	D6/515
D. 329,344	9/1992	Carillo	.....	D6/515
D. 369,249	4/1996	Zolw	.....	D6/408
D. 405,303	2/1999	Giurgiaro	.....	D6/518

*Primary Examiner*—Marcus A. Jackson  
*Attorney, Agent, or Firm*—Christopher L. Makay

[57] **CLAIM**

The ornamental design of a dispensing tower including a detachable merchandiser, as shown and described.

**DESCRIPTION**

FIG. 1 is a perspective view of the dispensing tower including a detachable merchandiser.

FIG. 2 is a top plan view of the dispensing tower including a detachable merchandiser of FIG. 1.

FIG. 3 is a rear elevation view of the dispensing tower including a detachable merchandiser of FIG. 1.

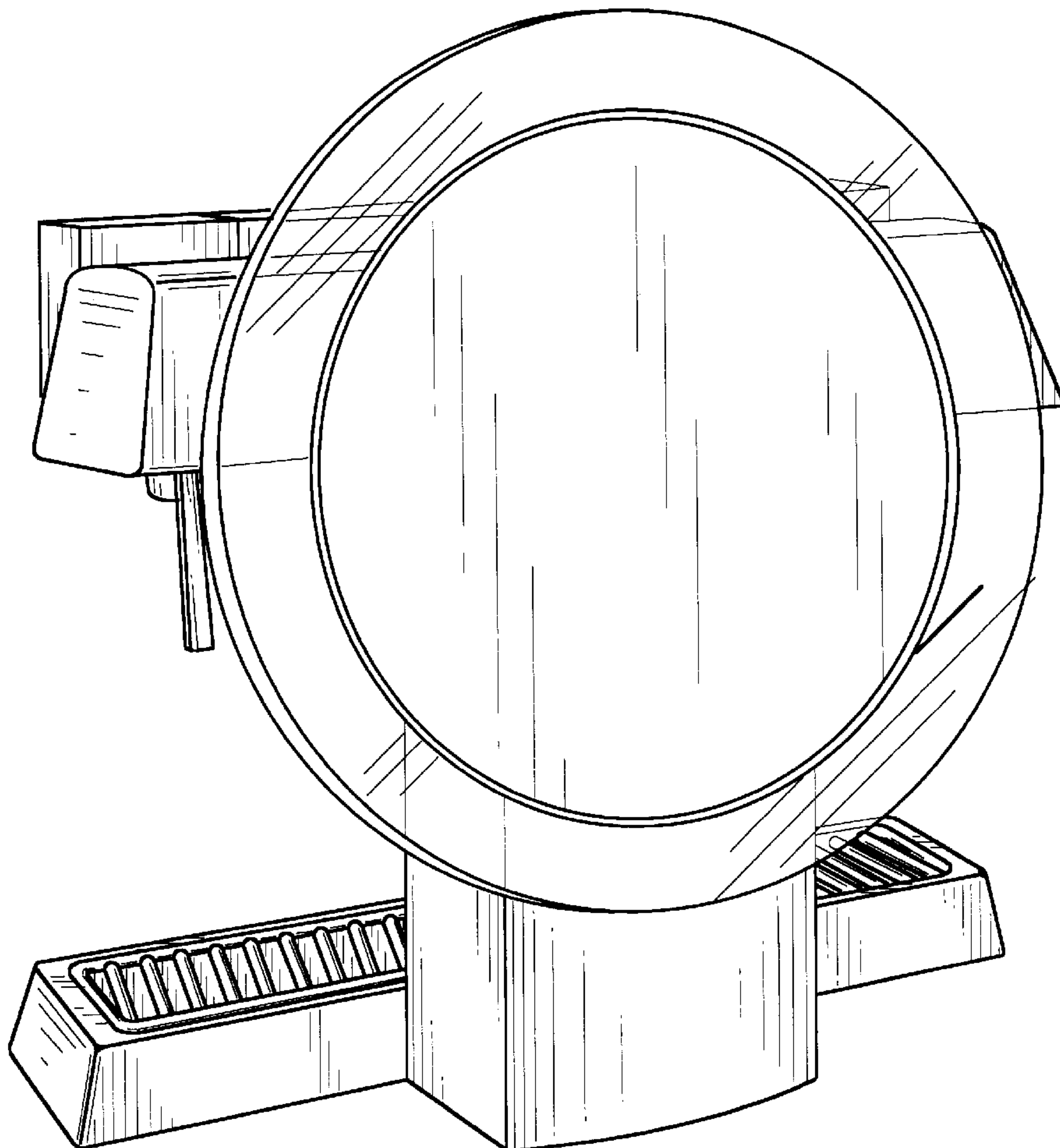
FIG. 4 is a right side elevation view of the dispensing tower including a detachable merchandiser of FIG. 1.

FIG. 5 is a left side elevation view of the dispensing tower including a detachable merchandiser of FIG. 1.

FIG. 6 is a front elevation view of the dispensing tower including a detachable merchandiser of FIG. 1; and,

FIG. 7 is a bottom plan view of the dispensing tower including a detachable merchandiser of FIG. 1.

**1 Claim, 3 Drawing Sheets**



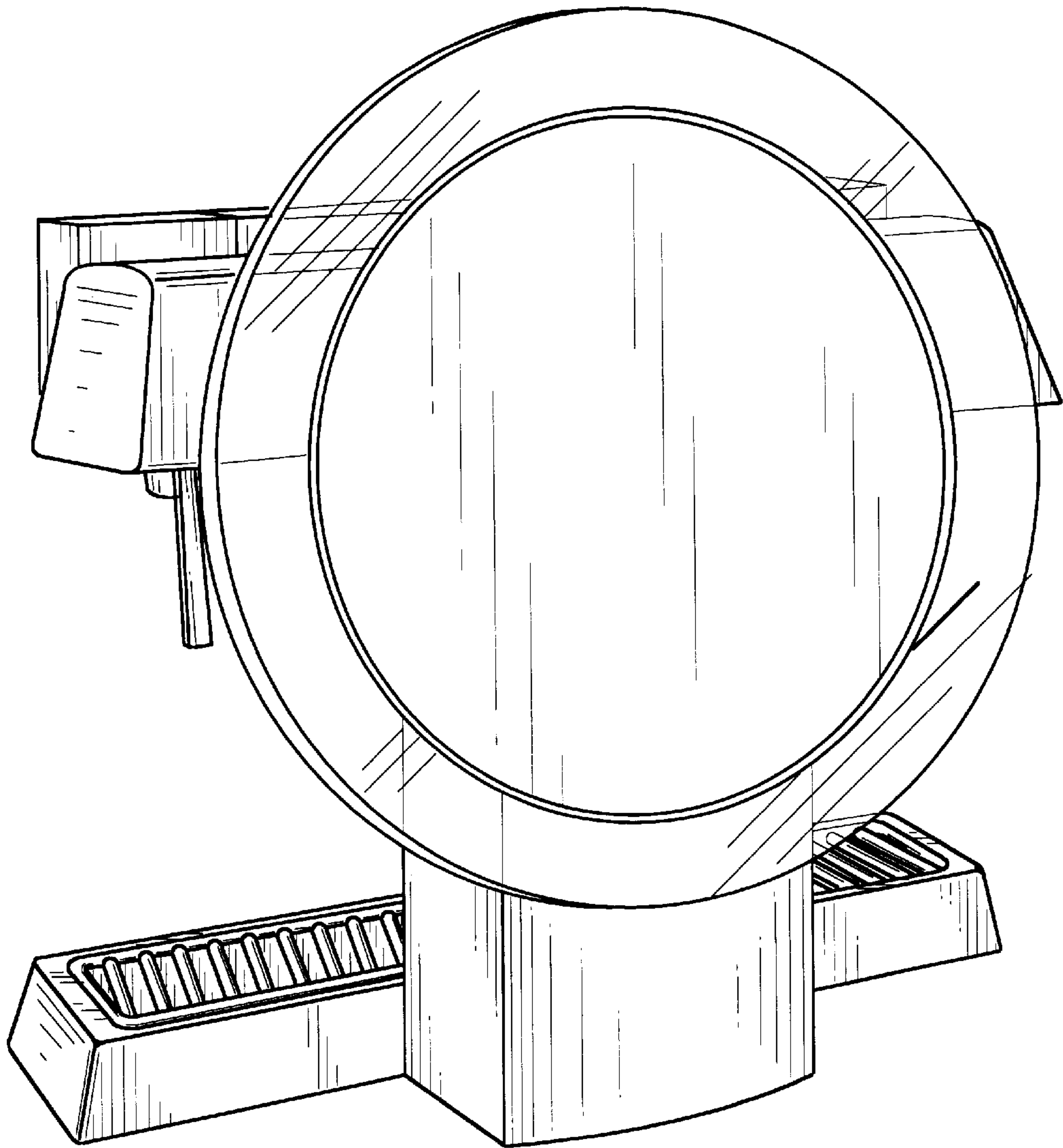


Fig. 1



Fig. 2

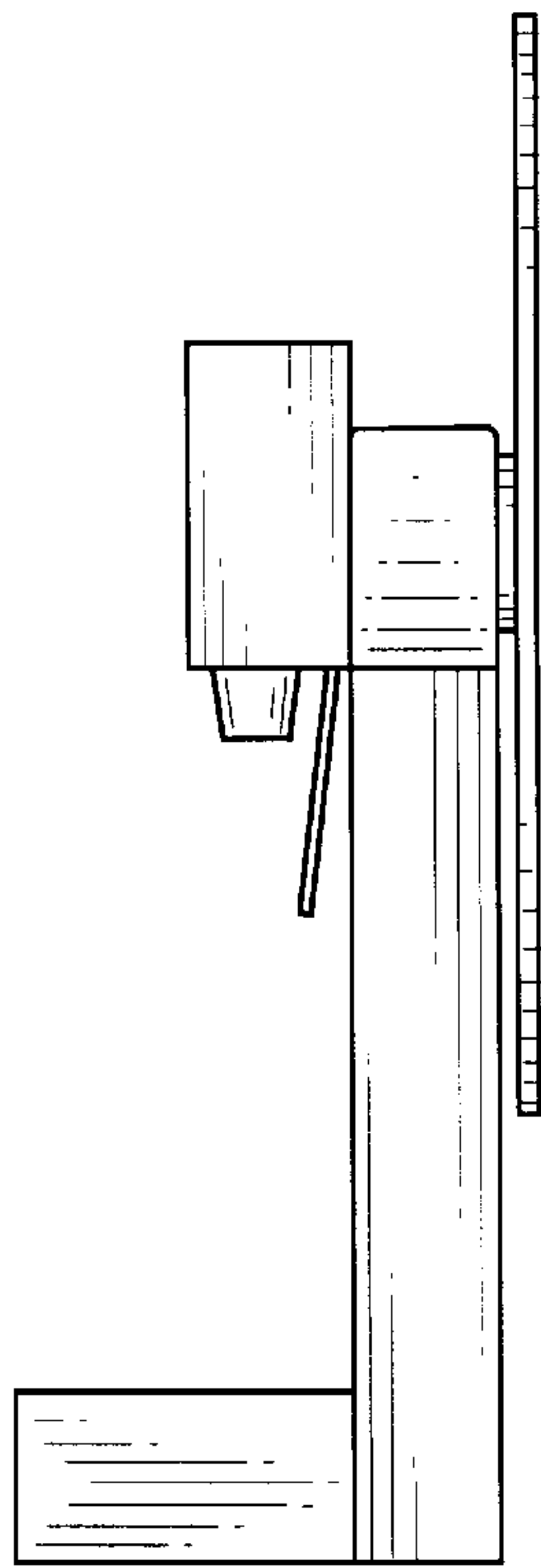


Fig. 4

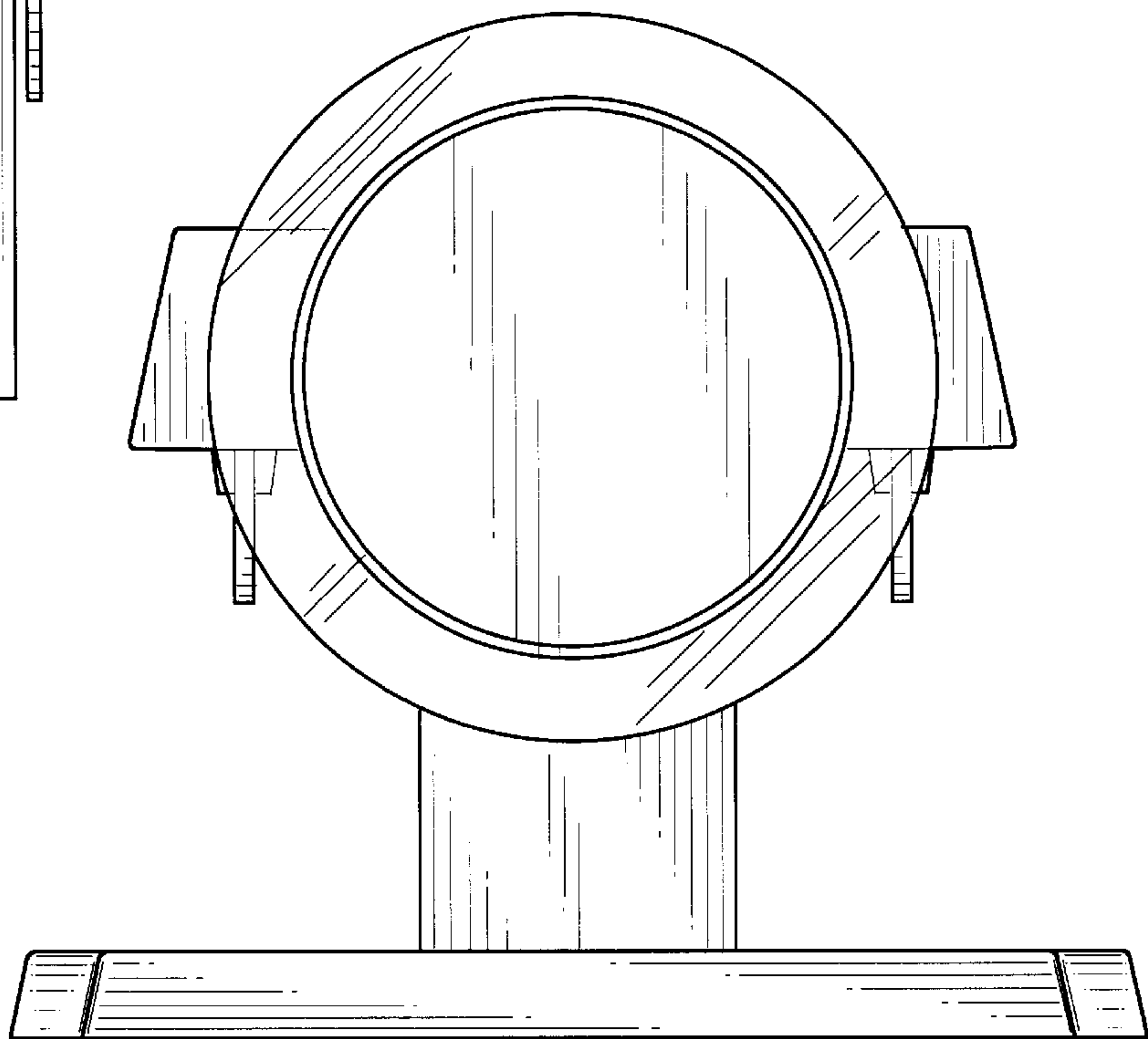


Fig. 3

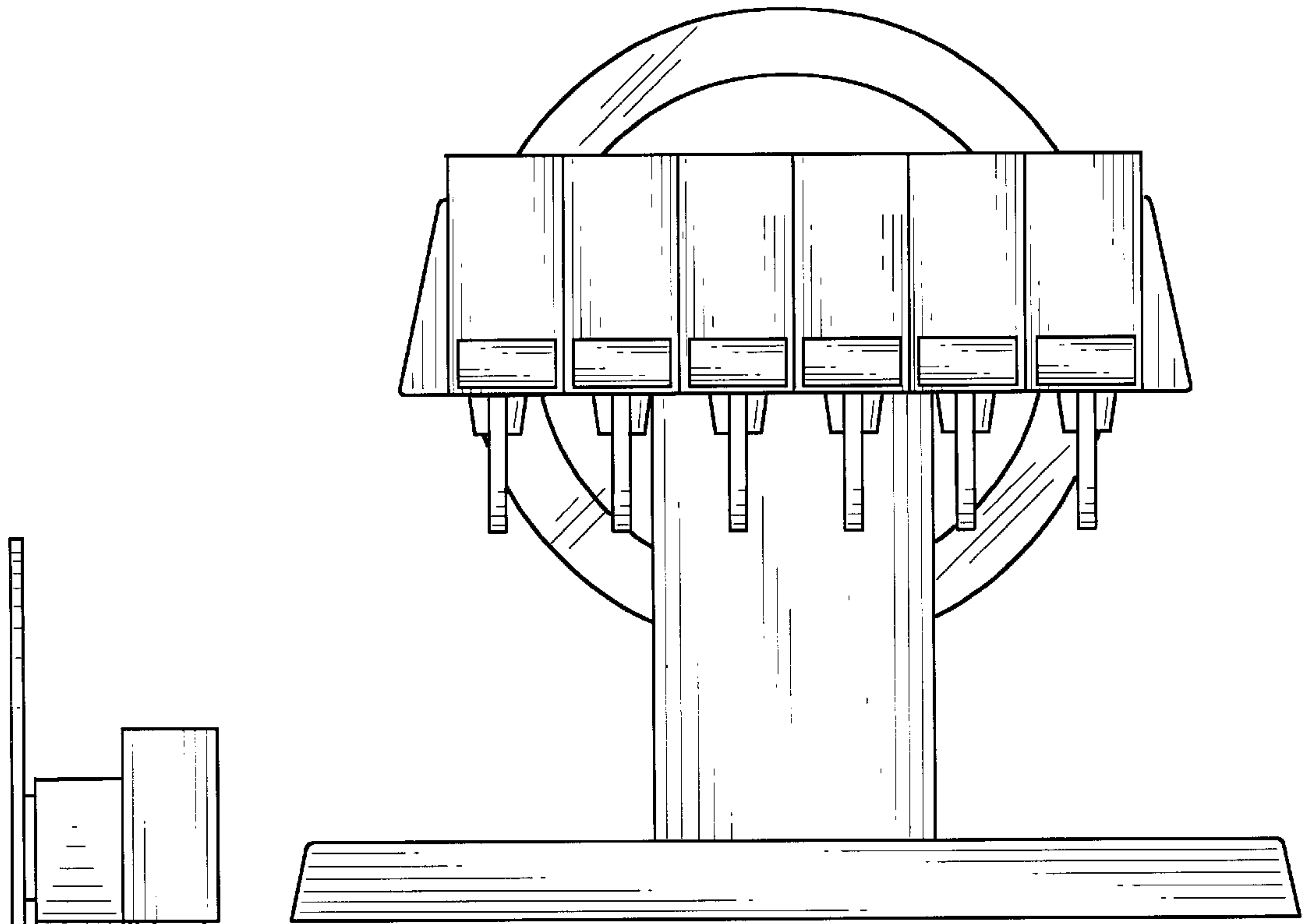


Fig. 6

Fig. 5

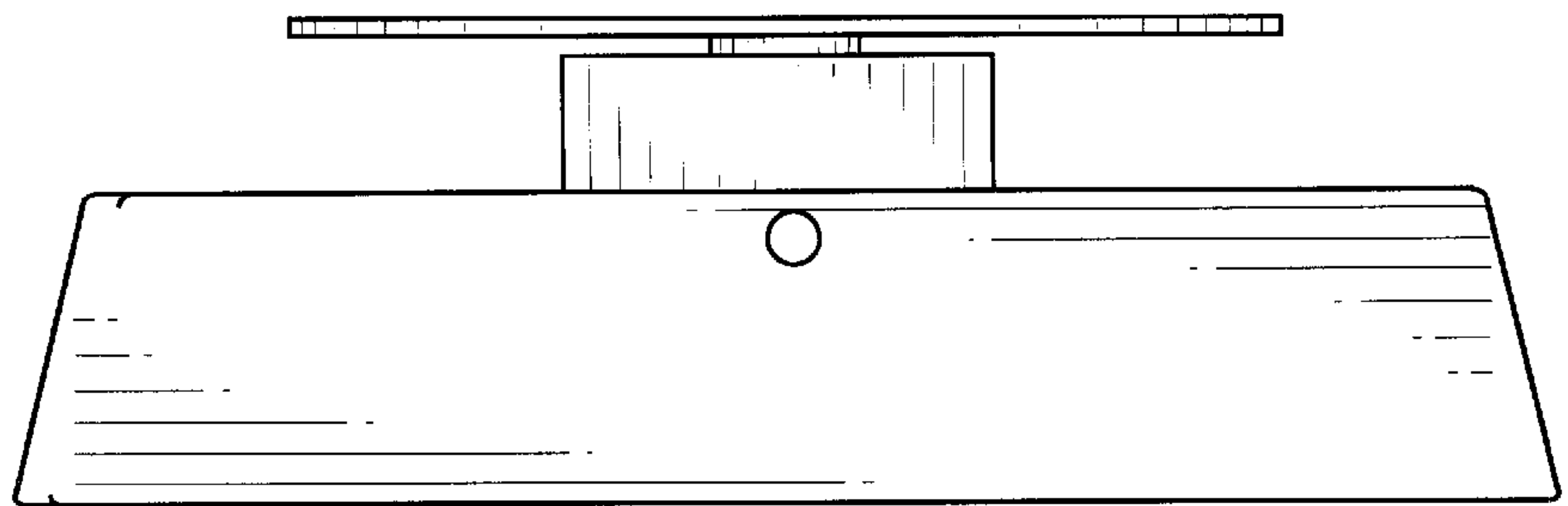


Fig. 7