



US00D419008S

# United States Patent [19] Livieratos

[11] **Patent Number: Des. 419,008**

[45] **Date of Patent: \*\* Jan. 18, 2000**

[54] **RESTAURANT BOOTH BACKING**

[76] Inventor: **Christos Livieratos**, 2822 W. Ainslie, Chicago, Ill. 60625

[\*\*] Term: **14 Years**

[21] Appl. No.: **29/094,035**

[22] Filed: **Sep. 24, 1998**

[51] **LOC (7) Cl. .... 06-06**

[52] **U.S. Cl. .... D6/502; D6/364**

[58] **Field of Search .... D6/334, 357, 364, D6/365, 370, 371, 372, 373, 378, 381, 500, 501, 502; 297/232, 452.38**

[56] **References Cited**

**U.S. PATENT DOCUMENTS**

- D. 283,764 5/1986 Livieratos ..... D6/364
- D. 283,857 5/1986 Livieratos ..... D6/364
- D. 351,078 10/1994 Livieratos ..... D6/502

**OTHER PUBLICATIONS**

Single Glider, Sunstar Brownie Mfg. Co., in outdoor furniture box, Aug. 1995.

*Primary Examiner*—Doris V. Coles  
*Assistant Examiner*—Mimosa De  
*Attorney, Agent, or Firm*—Michael R. McKenna

[57] **CLAIM**

The ornamental design for a restaurant booth backing, as shown and described.

**DESCRIPTION**

FIG. 1 is a front perspective view of a restaurant booth backing showing my new design;

FIG. 2 is a front elevational view of the booth illustrated in FIG. 1;

FIG. 3 is a top plan view of the booth illustrated in FIG. 1;

FIG. 4 is a left side elevational view of the booth illustrated in FIG. 1;

FIG. 5 is a right side elevational view of the booth illustrated in FIG. 1; and,

FIG. 6 is a rear elevational view of the booth illustrated in FIG. 1.

The broken lines showing a base, a seat and back cushioning are for illustrative purposes only, and form no part of the claimed design.

**1 Claim, 1 Drawing Sheet**

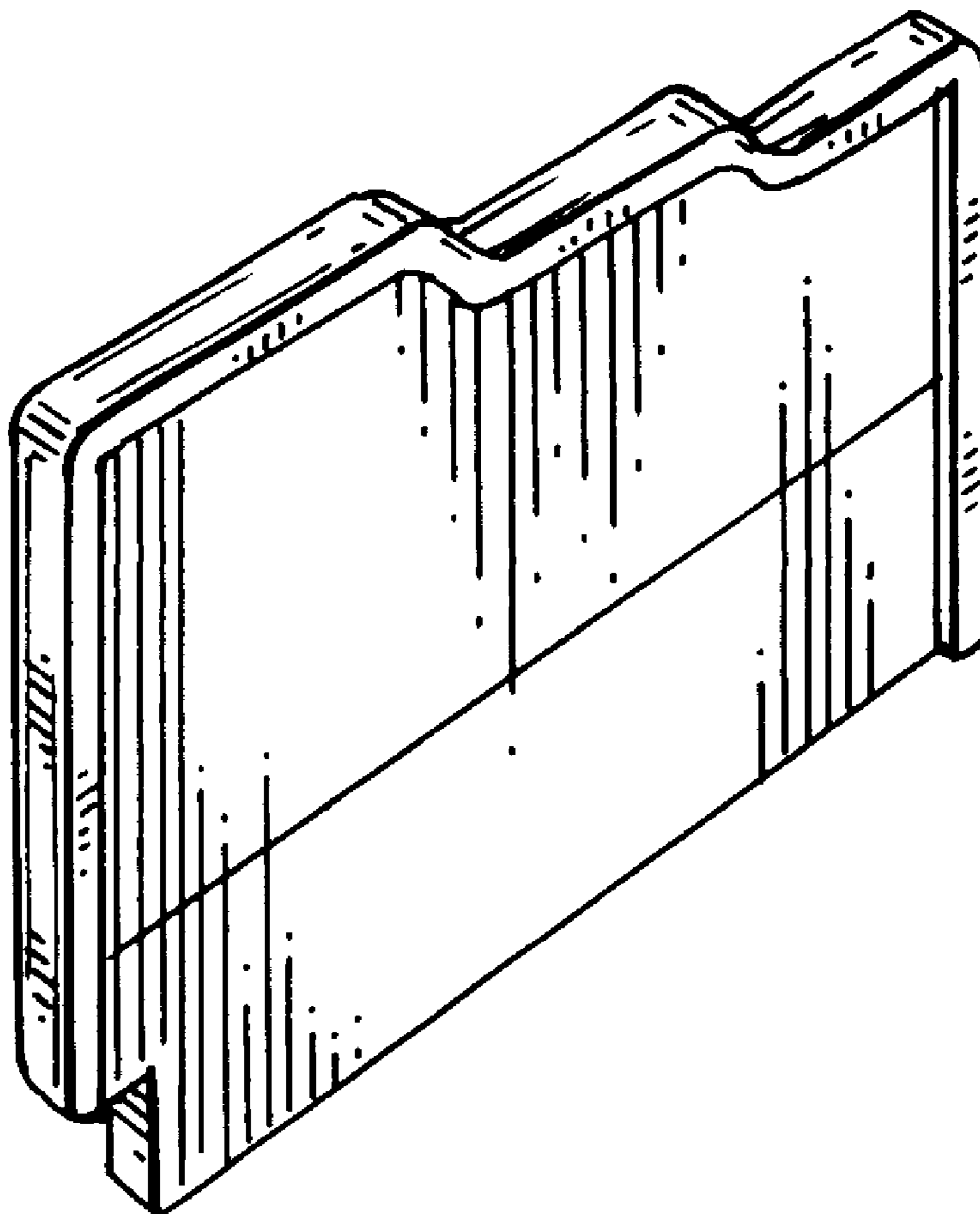


FIG. 1

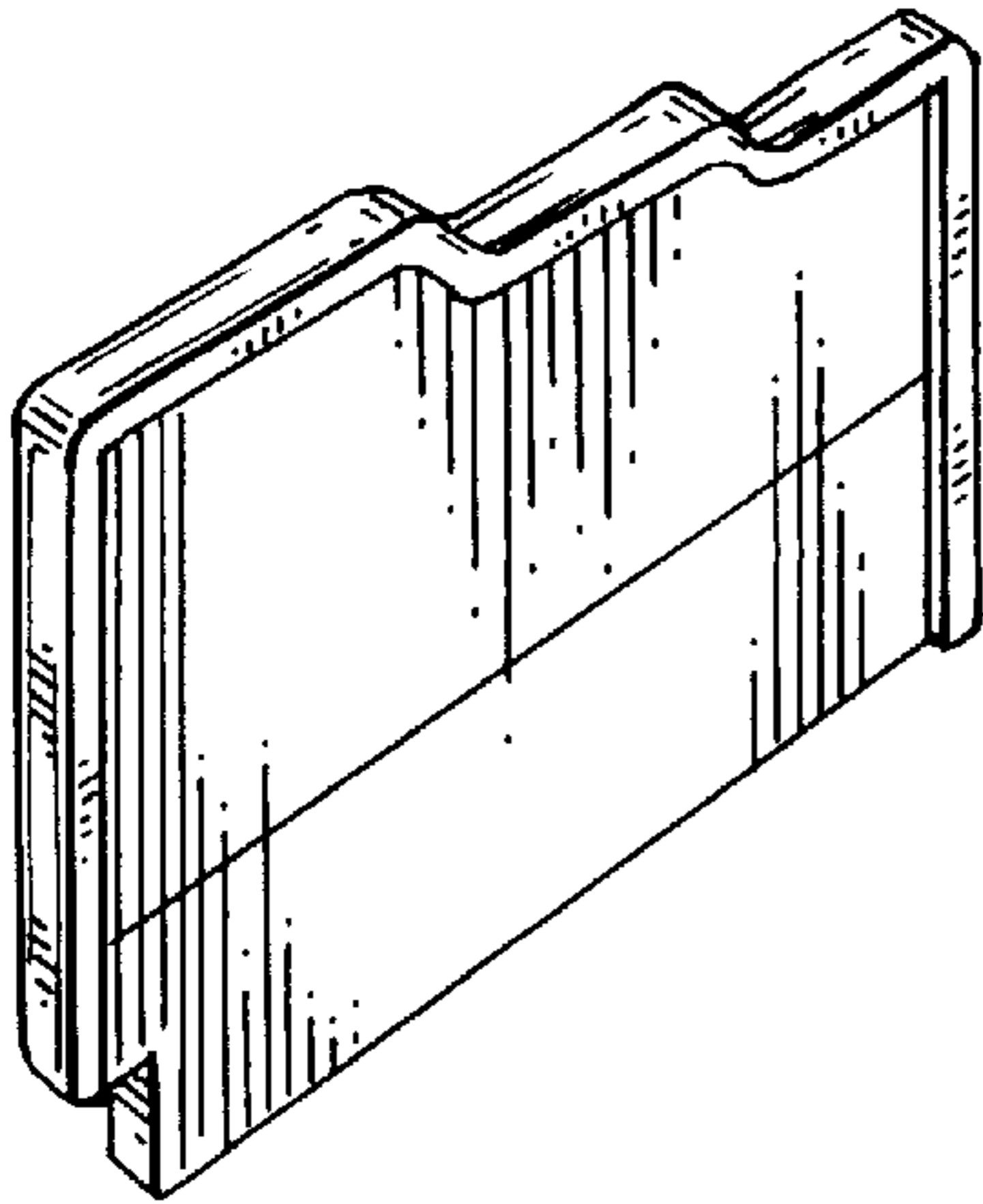


FIG. 3

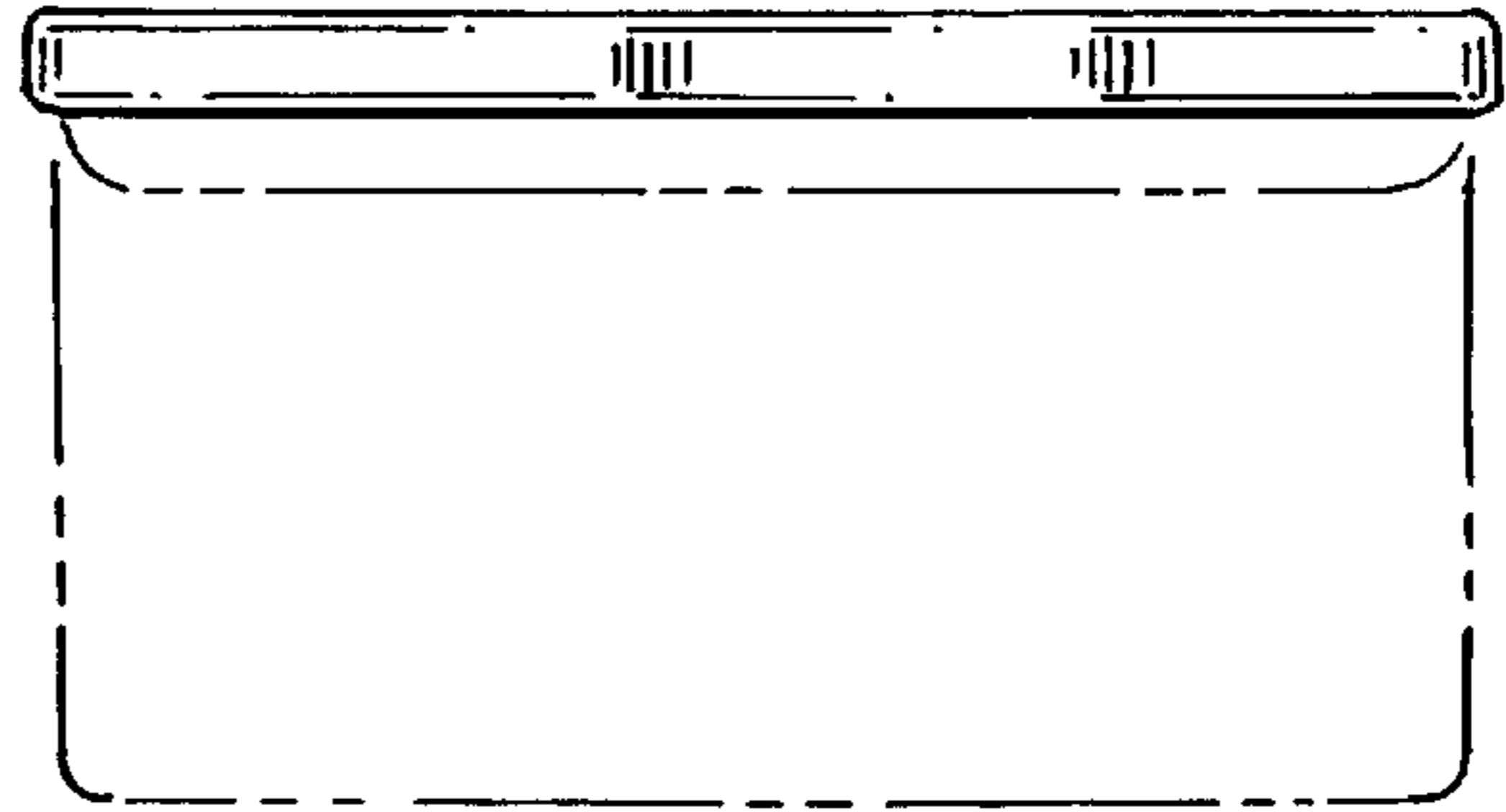


FIG. 4

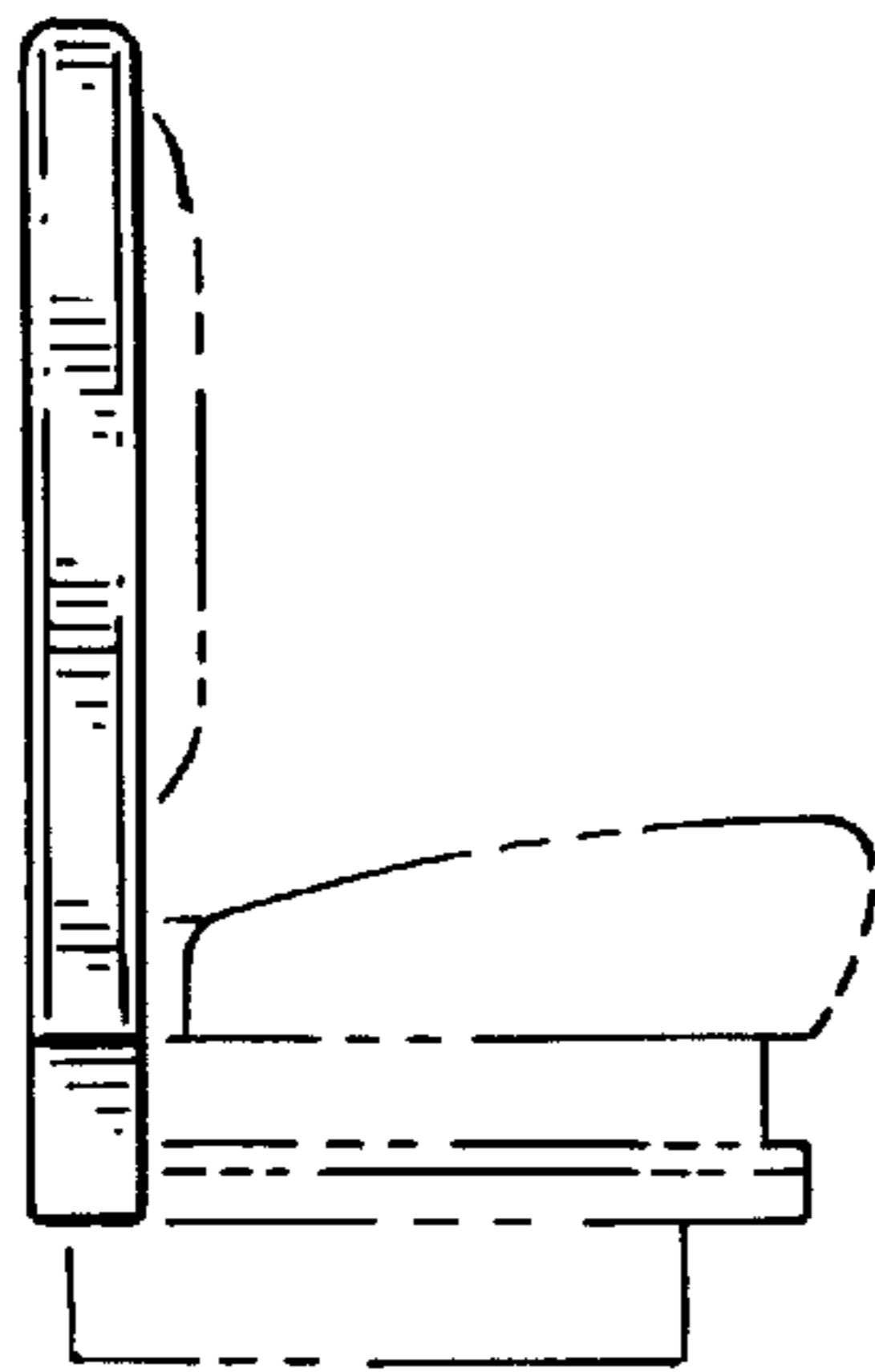


FIG. 2

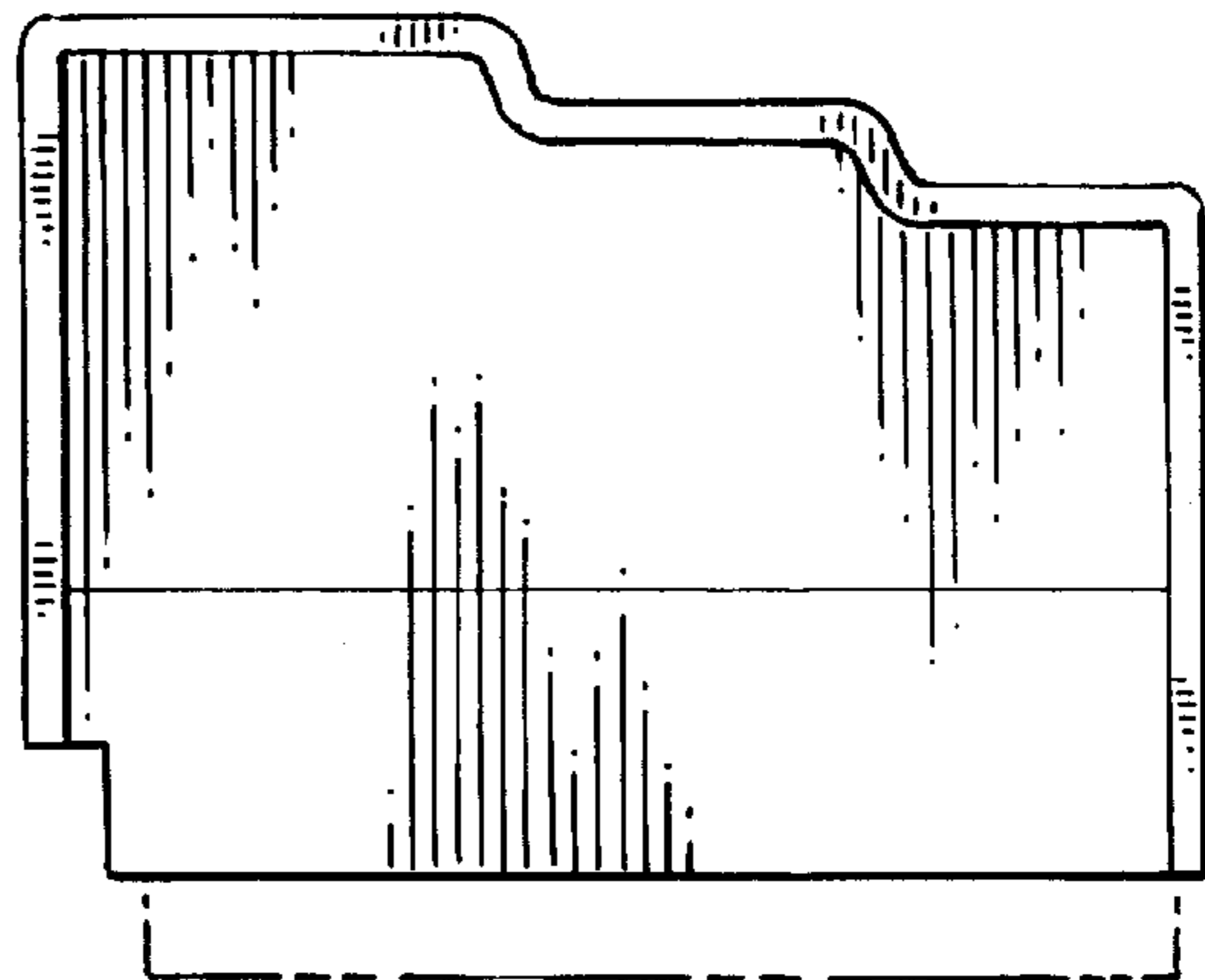


FIG. 5

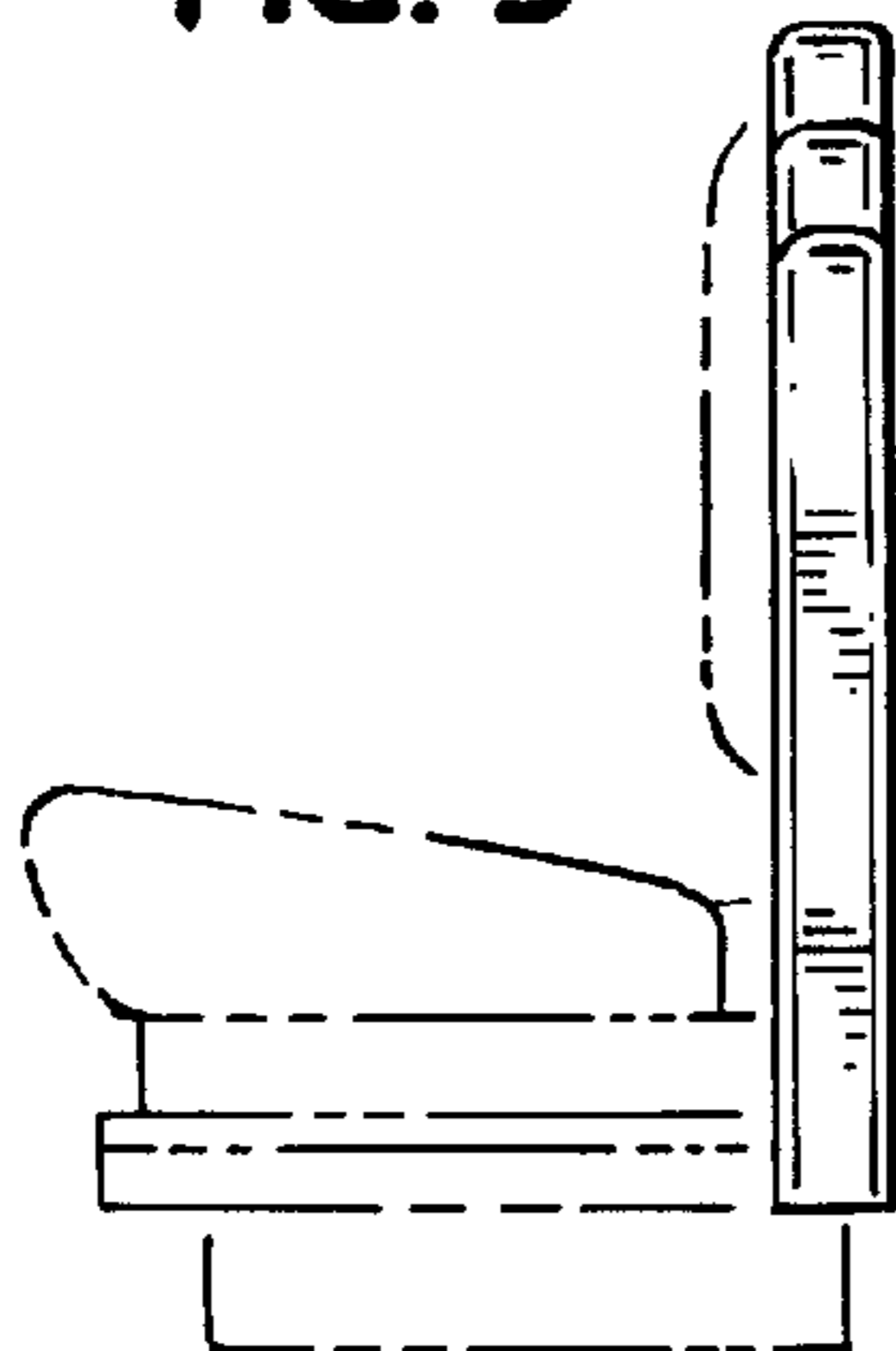


FIG. 6

