



US00D419005S

United States Patent [19] McDiarmid

[11] **Patent Number: Des. 419,005**
[45] **Date of Patent: ** Jan. 18, 2000**

[54] **CHAIR/OTTOMAN BASE**

[75] Inventor: **Ronald D. McDiarmid**, La Habra, Calif.

[73] Assignee: **Gruga U.S.A.**, City of Industry, Calif.

[**] Term: **14 Years**

[21] Appl. No.: **29/090,318**

[22] Filed: **Jul. 6, 1998**

[51] **LOC (7) Cl.** **06-06**

[52] **U.S. Cl.** **D6/495**

[58] **Field of Search** D6/334, 349, 364,
D6/365, 367, 495, 499, 500, 501, 502;
297/4, 344.21, 461, 462, 423.1, 423.39,
423.41

[56] **References Cited**

U.S. PATENT DOCUMENTS

- D. 208,052 7/1967 Jakobsen D6/498
- D. 217,908 6/1970 Boyer De Rebeval D6/349
- D. 233,962 12/1974 Morrison et al. D6/349

- D. 291,265 8/1987 Heggdal et al. D6/367
- D. 364,283 11/1995 Jaidman D6/365
- D. 384,228 9/1997 Desnoyers D6/495
- D. 406,971 3/1999 McDiarmid D6/495

Primary Examiner—Doris V. Coles
Assistant Examiner—Mimosa De
Attorney, Agent, or Firm—Sheppard, Mullin, Richter & Hampton LLP; James R. Brueggemann

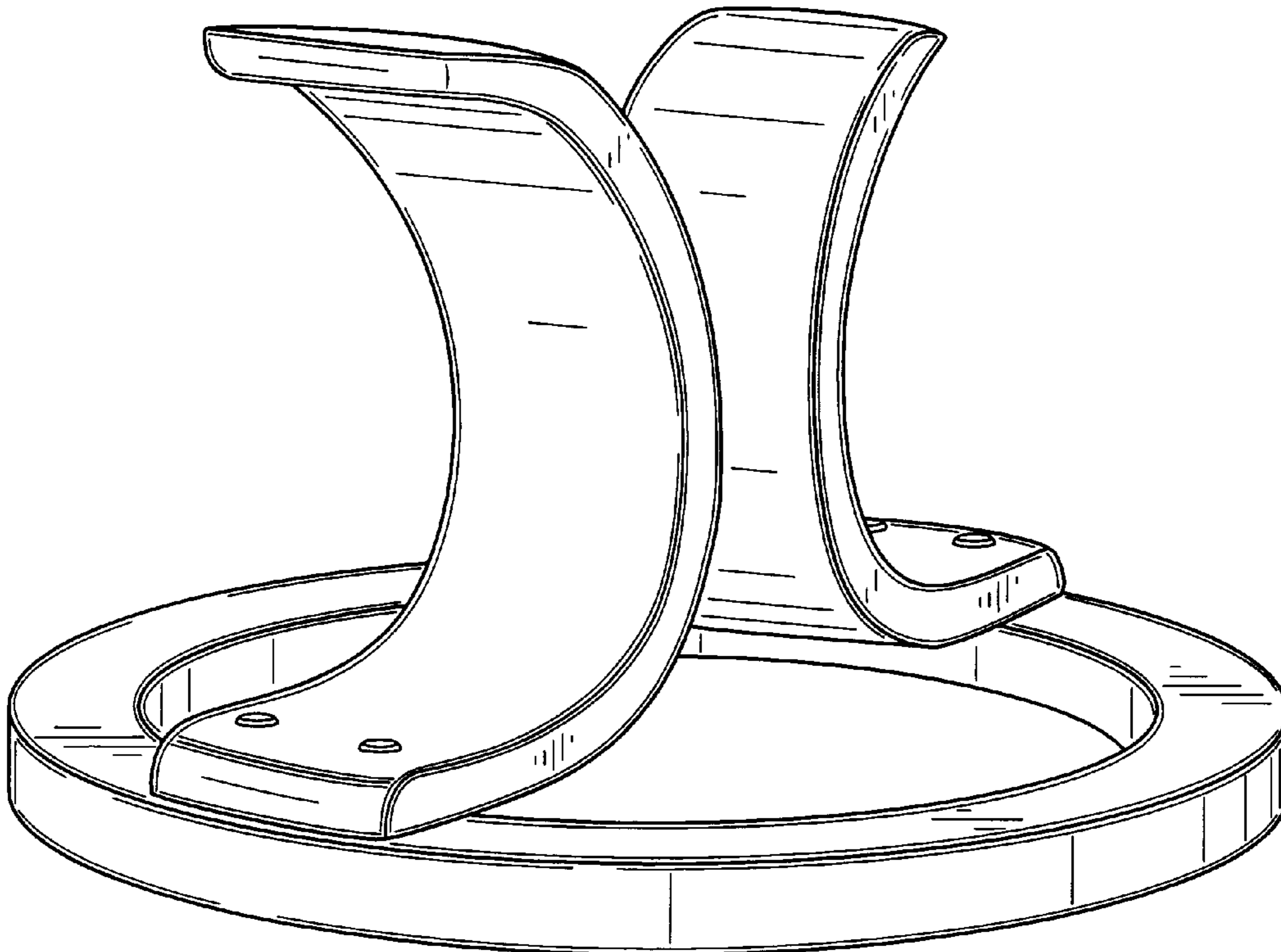
[57] **CLAIM**

The ornamental design for a chair/ottoman base, as shown and described.

DESCRIPTION

FIG. 1 is a perspective view of a chair/ottoman base embodying my new design.
FIG. 2 is a top plan view thereof.
FIG. 3 is a bottom plan view thereof.
FIG. 4 is a left side elevational view thereof, which is identical to the right side elevational view thereof; and,
FIG. 5 is a front elevational view thereof, which is identical to the rear elevational view thereof.

1 Claim, 4 Drawing Sheets



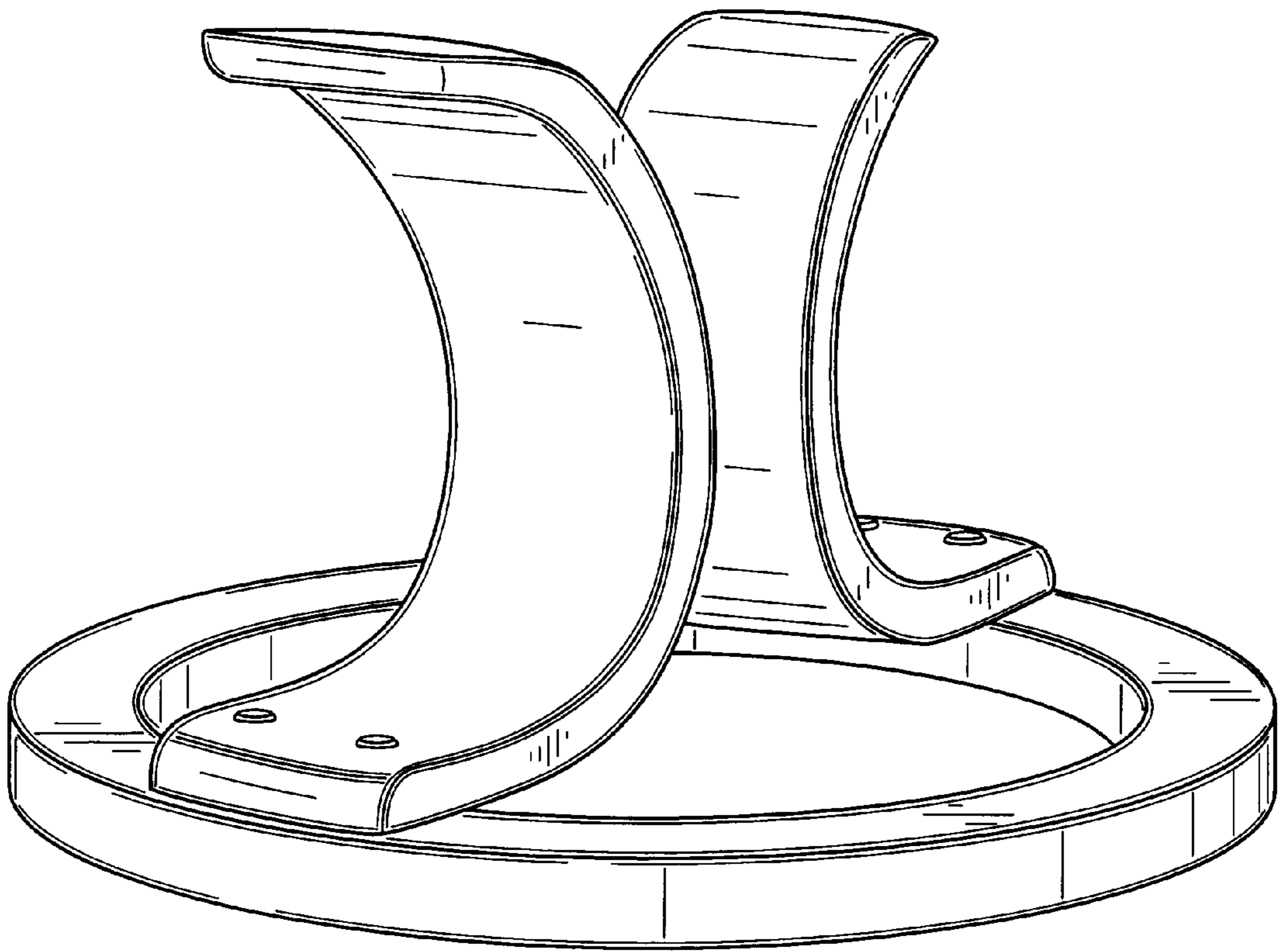


FIG. 1

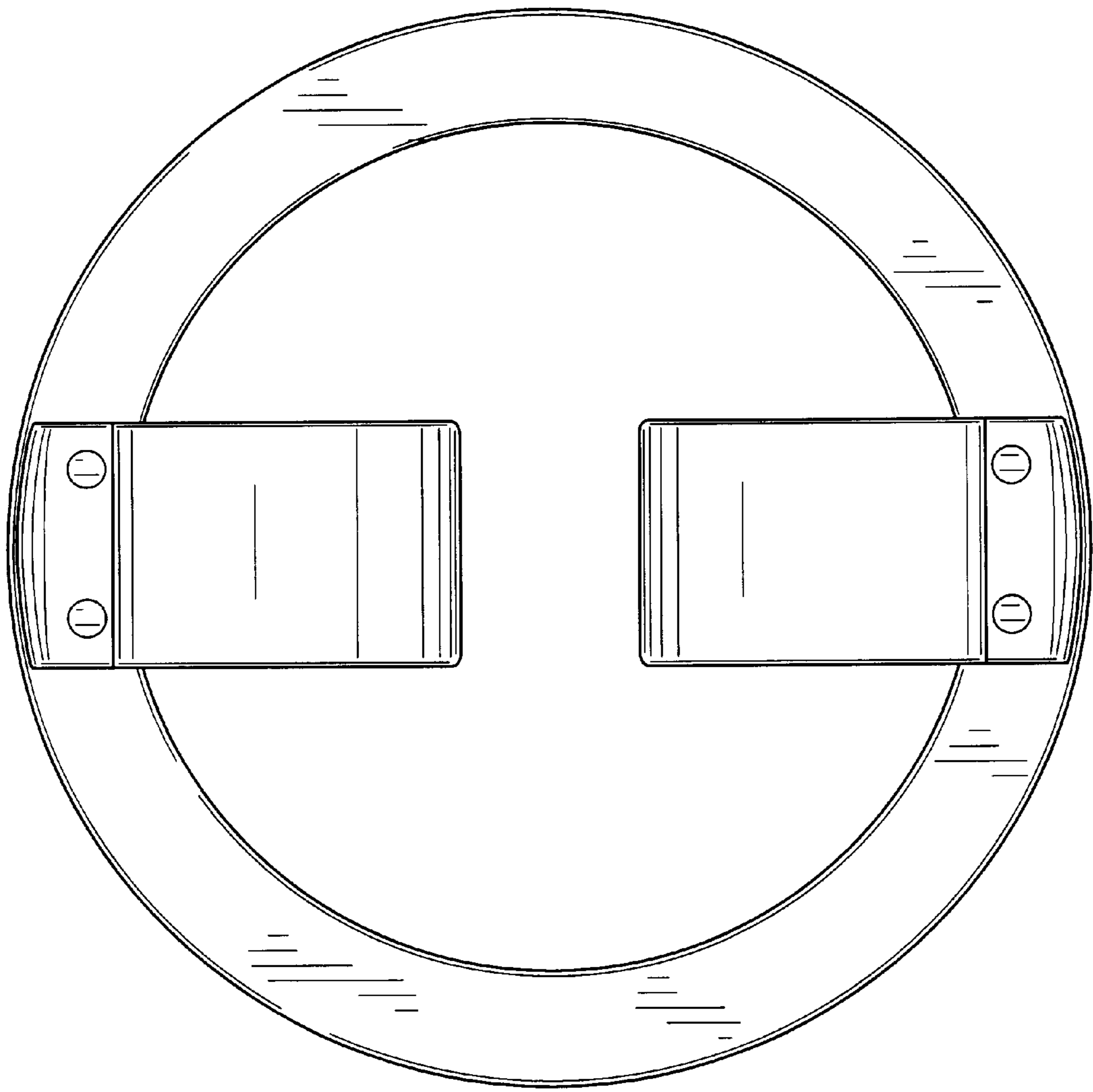


FIG. 2

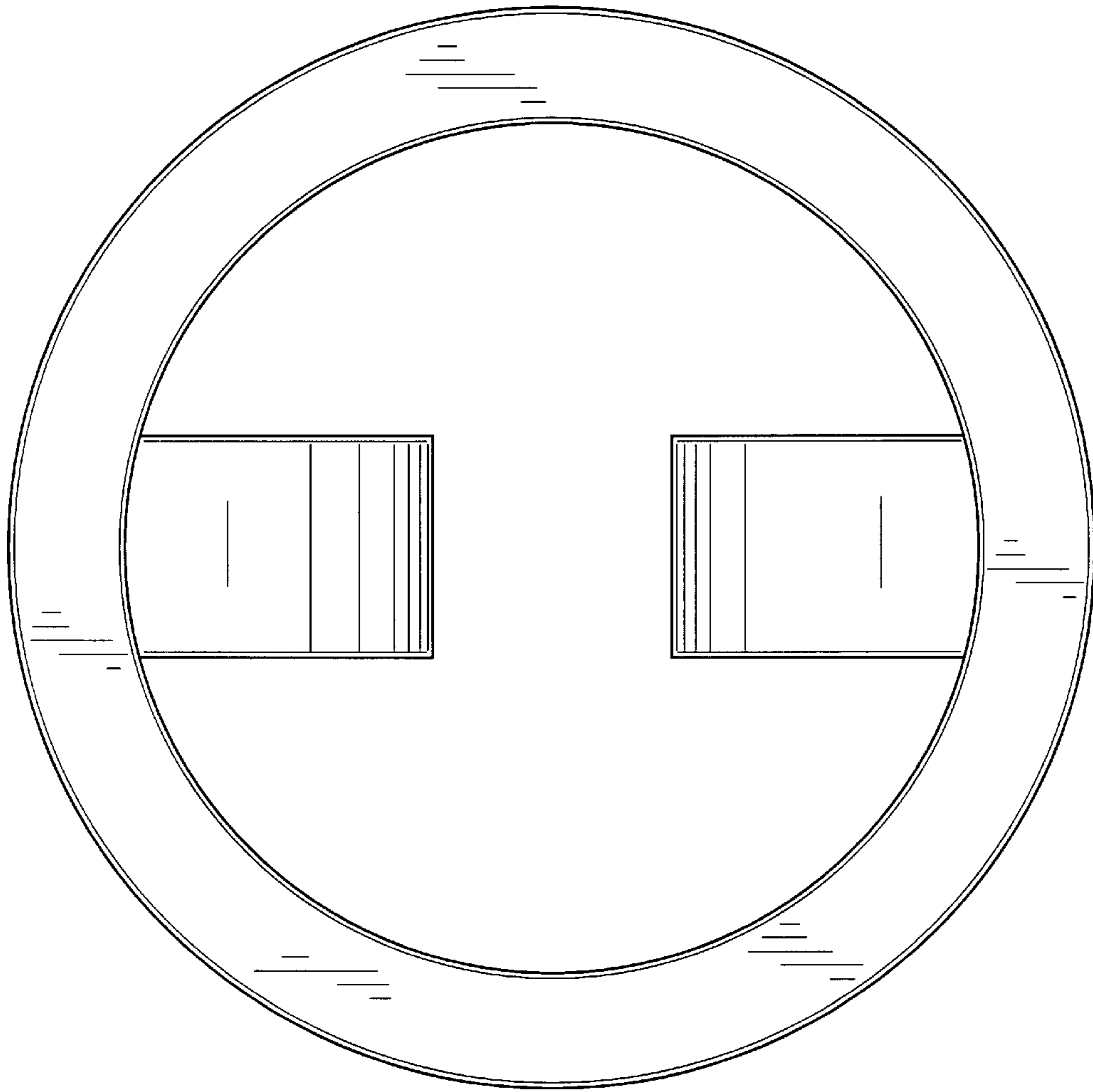


FIG. 3

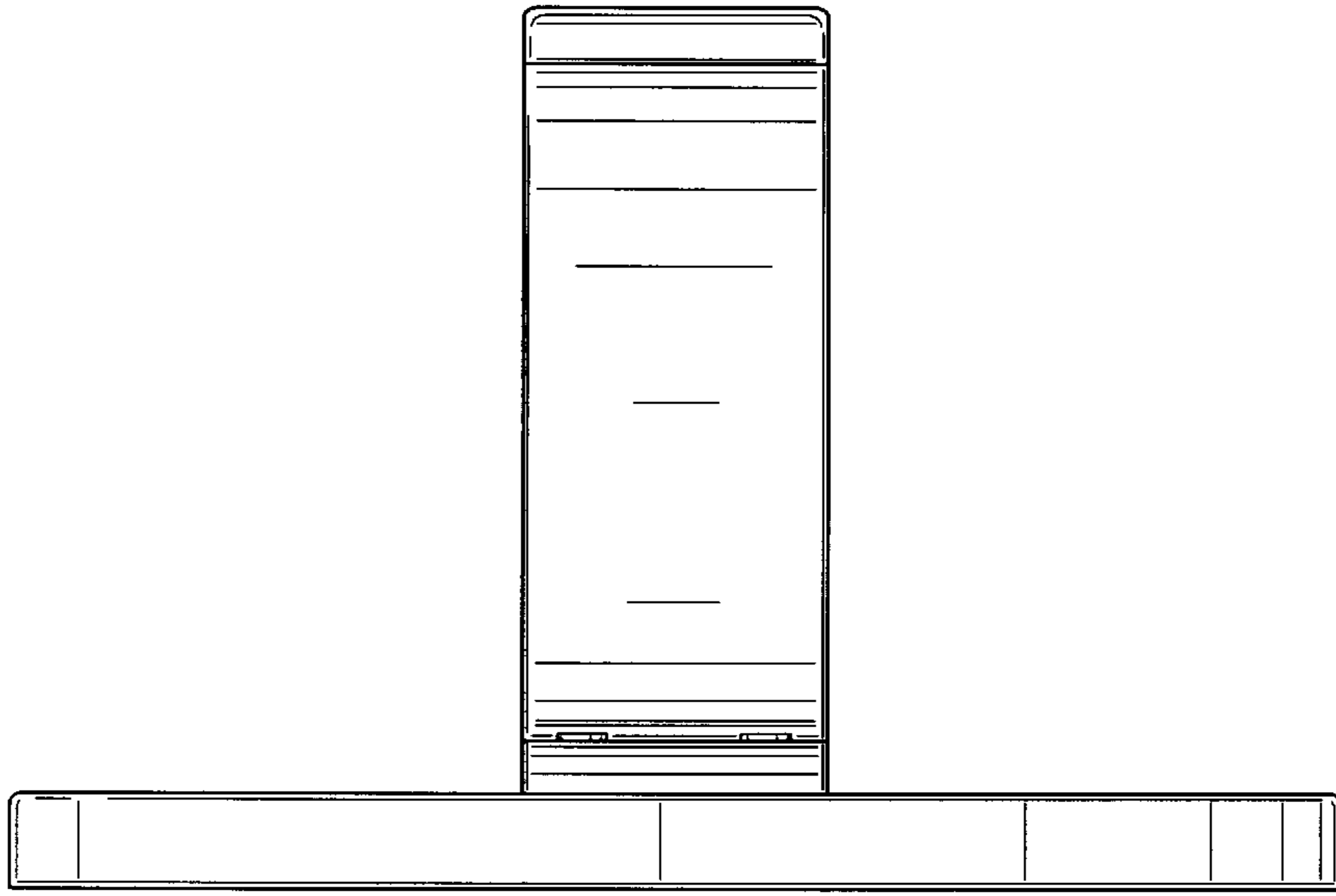


FIG. 4

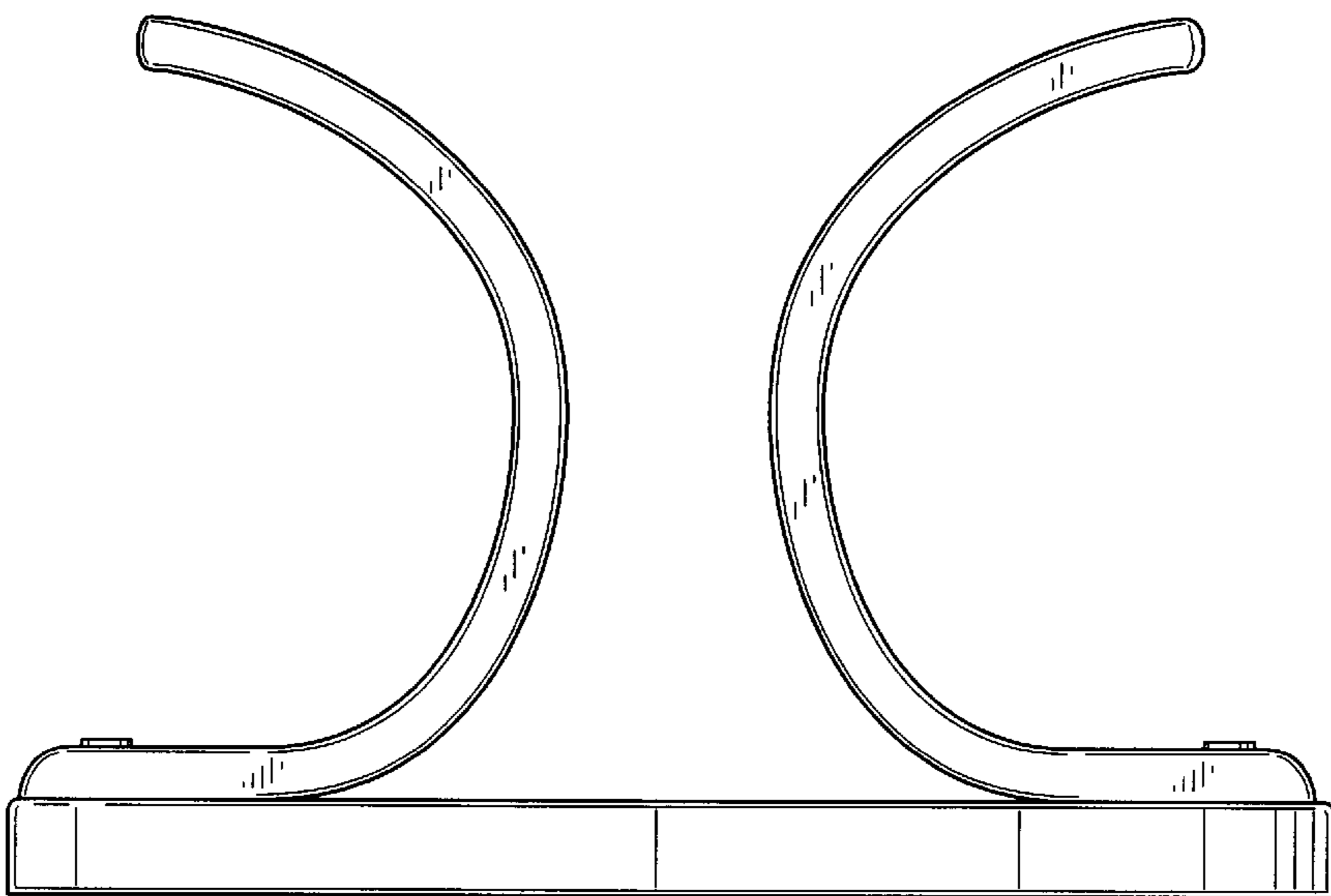


FIG. 5