



US00D418999S

United States Patent [19]
Tseng

[11] **Patent Number: Des. 418,999**
[45] **Date of Patent: ** Jan. 18, 2000**

[54] **DESK**
[75] Inventor: **Chuen-Jong Tseng**, Chiayi Hsien,
Taiwan
[73] Assignee: **Shin Yen Enterprise Co., Ltd.**, Chiayi
Hsien, Taiwan
[**] Term: **14 Years**
[21] Appl. No.: **29/105,780**
[22] Filed: **Jun. 2, 1999**
[51] **LOC (7) Cl.** **06-03**
[52] **U.S. Cl.** **D6/480**
[58] **Field of Search** D6/480-489, 495,
D6/499; 108/153.1, 155, 156, 161; 248/188,
188.1, 188.7, 188.8

5,318,260 6/1994 Kemnitz 248/188.91

OTHER PUBLICATIONS

Lyon-Shaw c1991, p. 42, table at bottom right corner.
Salterini c1948, p. 18, table.

Primary Examiner—Janice E. Seeger
Attorney, Agent, or Firm—Ladas & Parry

[57] **CLAIM**

The ornamental design for desk, as shown and described.

DESCRIPTION

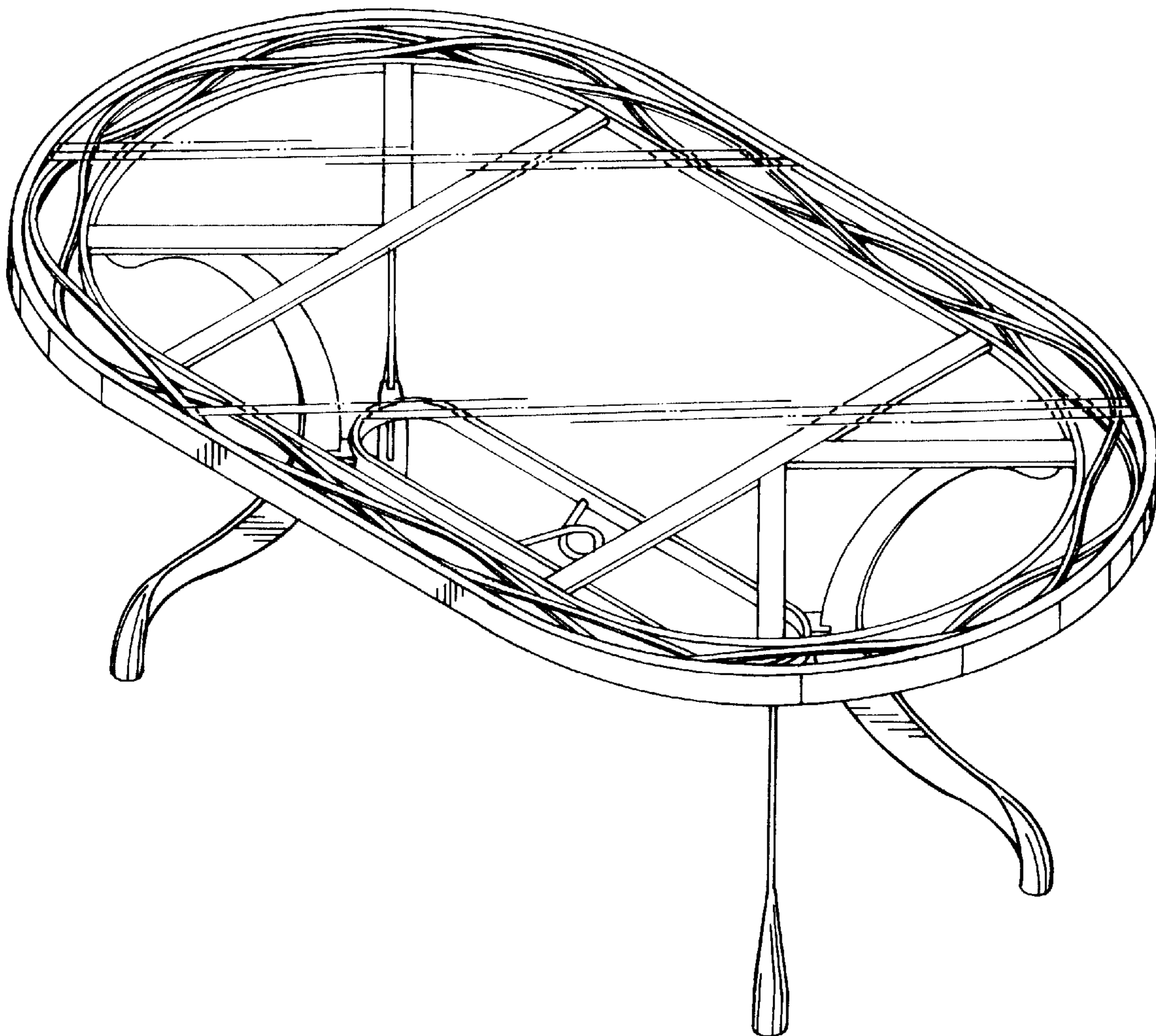
FIG. 1 is a perspective view of desk showing my new design;
FIG. 2 is a front elevational view thereof;
FIG. 3 is a rear elevational view thereof;
FIG. 4 is a left side elevational view thereof;
FIG. 5 is a right side elevational view thereof;
FIG. 6 is a top plan view thereof; and,
FIG. 7 is a bottom plan view thereof.

[56] **References Cited**

U.S. PATENT DOCUMENTS

D. 373,269 9/1996 Muller D6/484

1 Claim, 7 Drawing Sheets



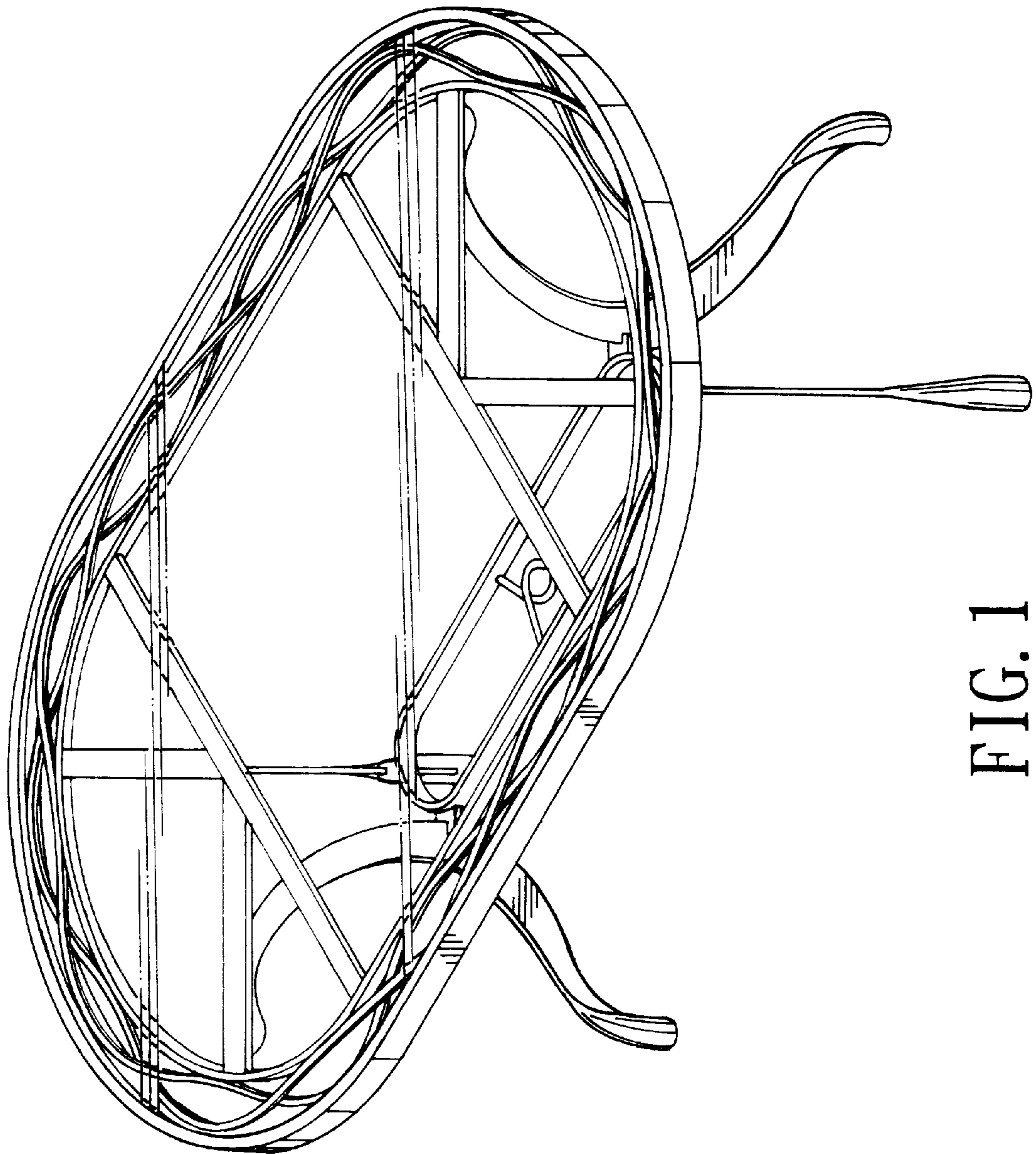


FIG. 1

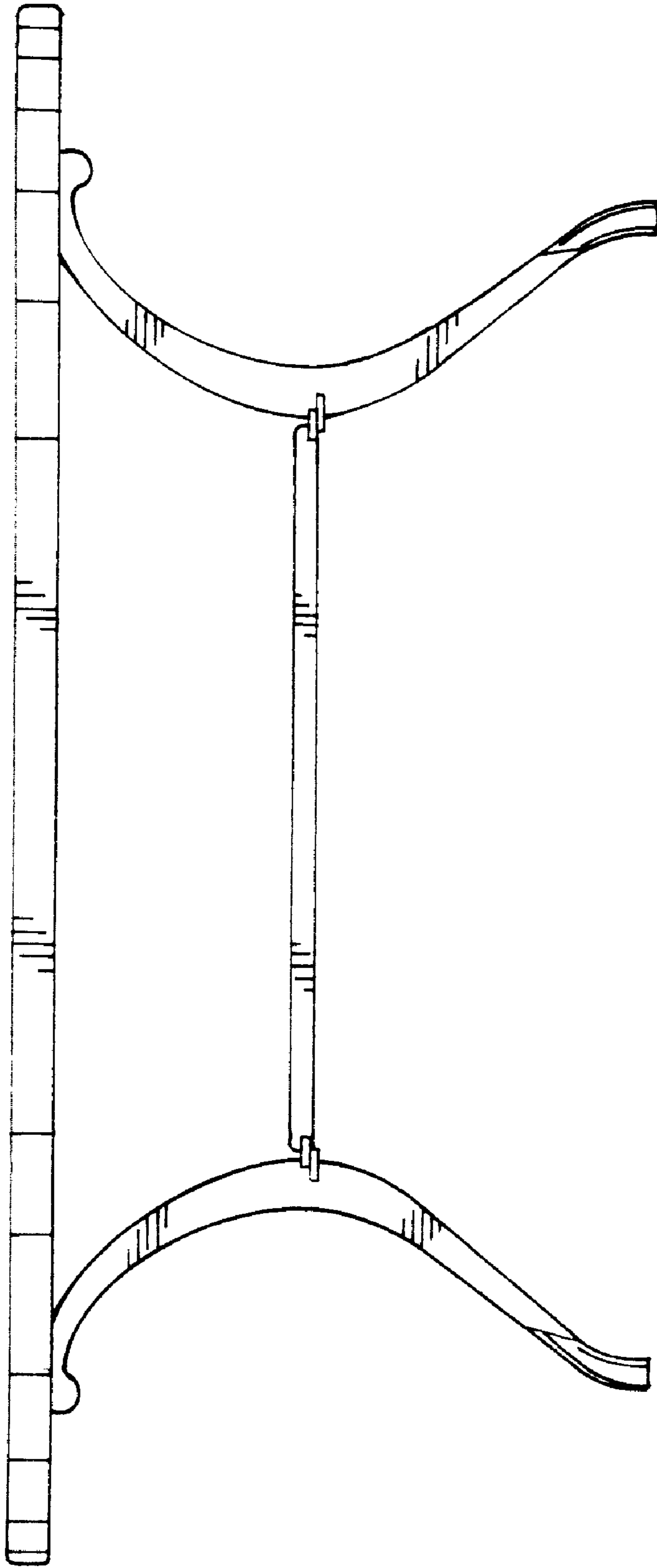


FIG. 2

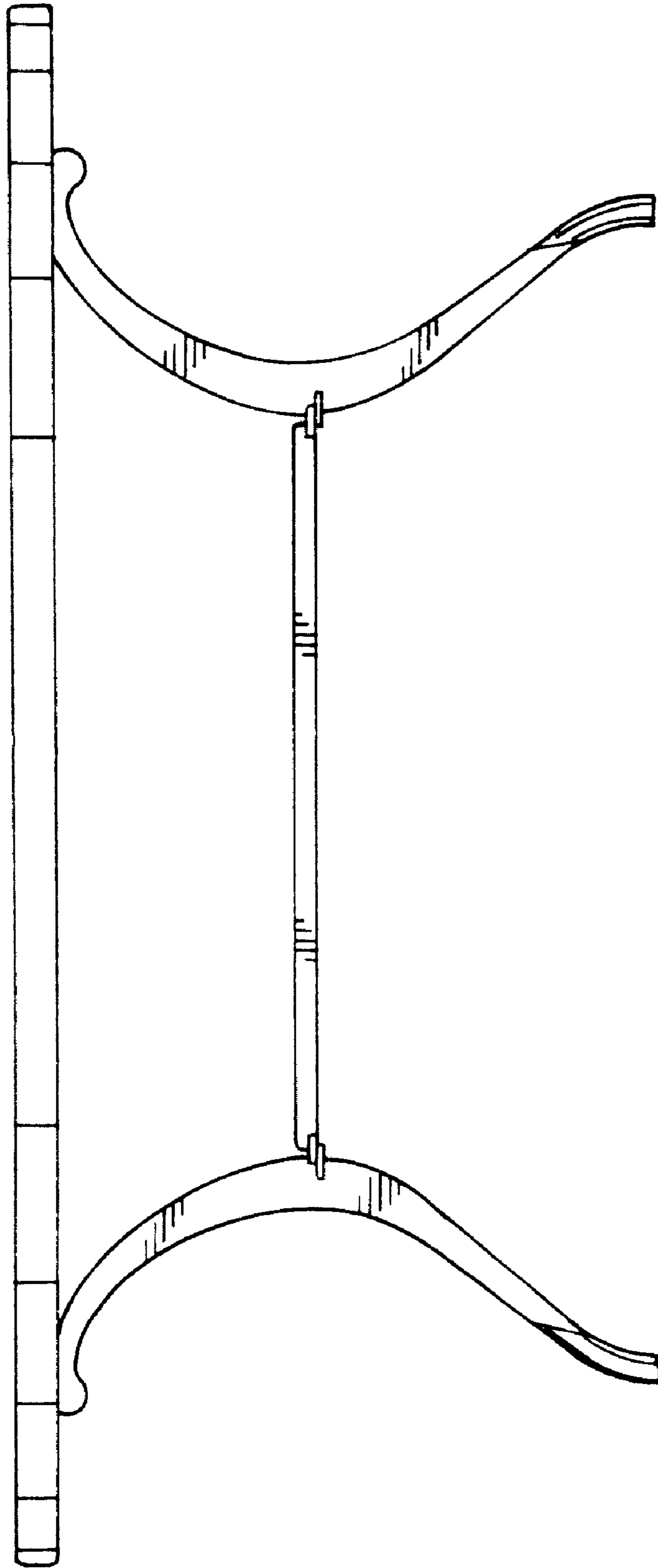


FIG. 3

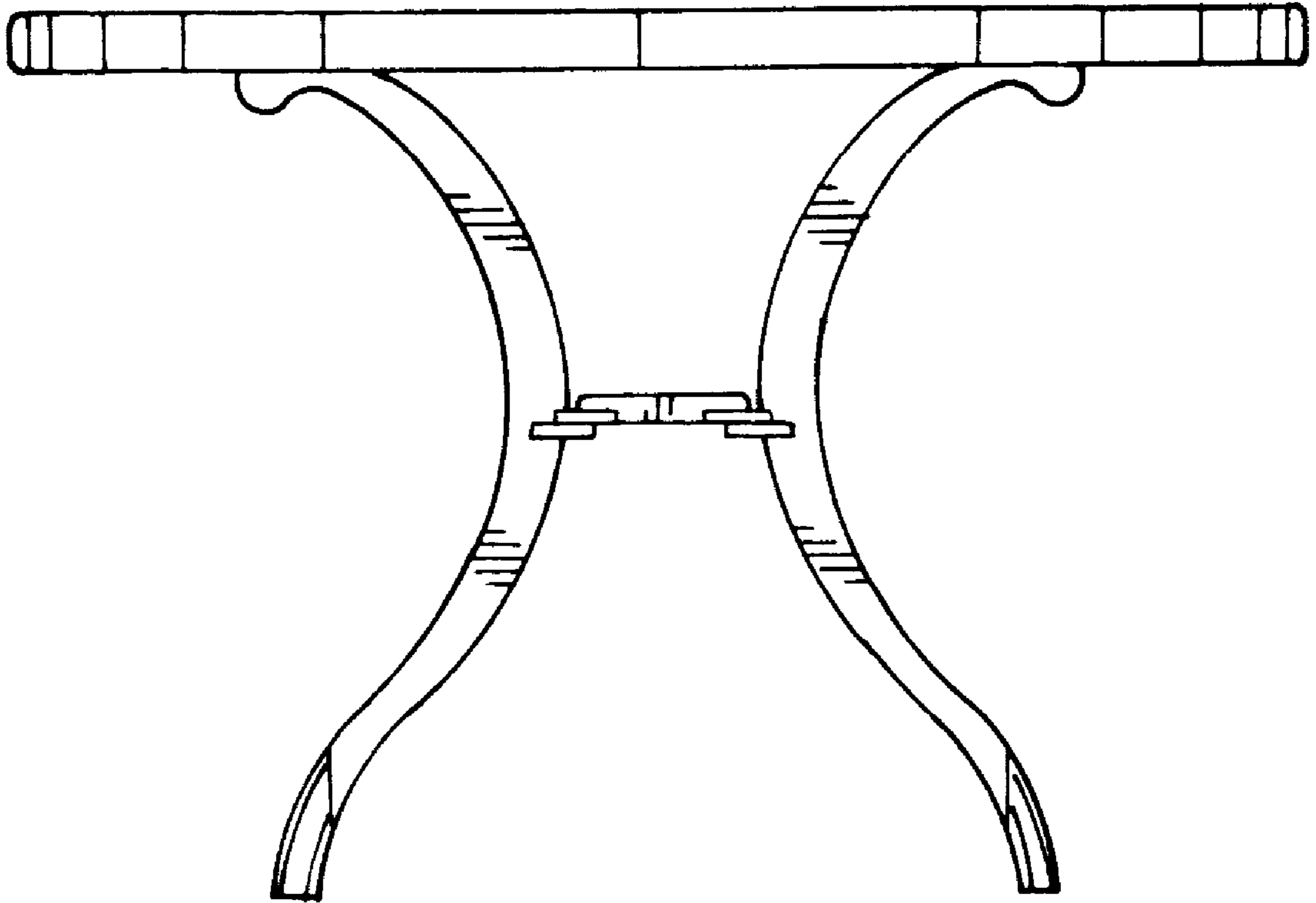


FIG. 4

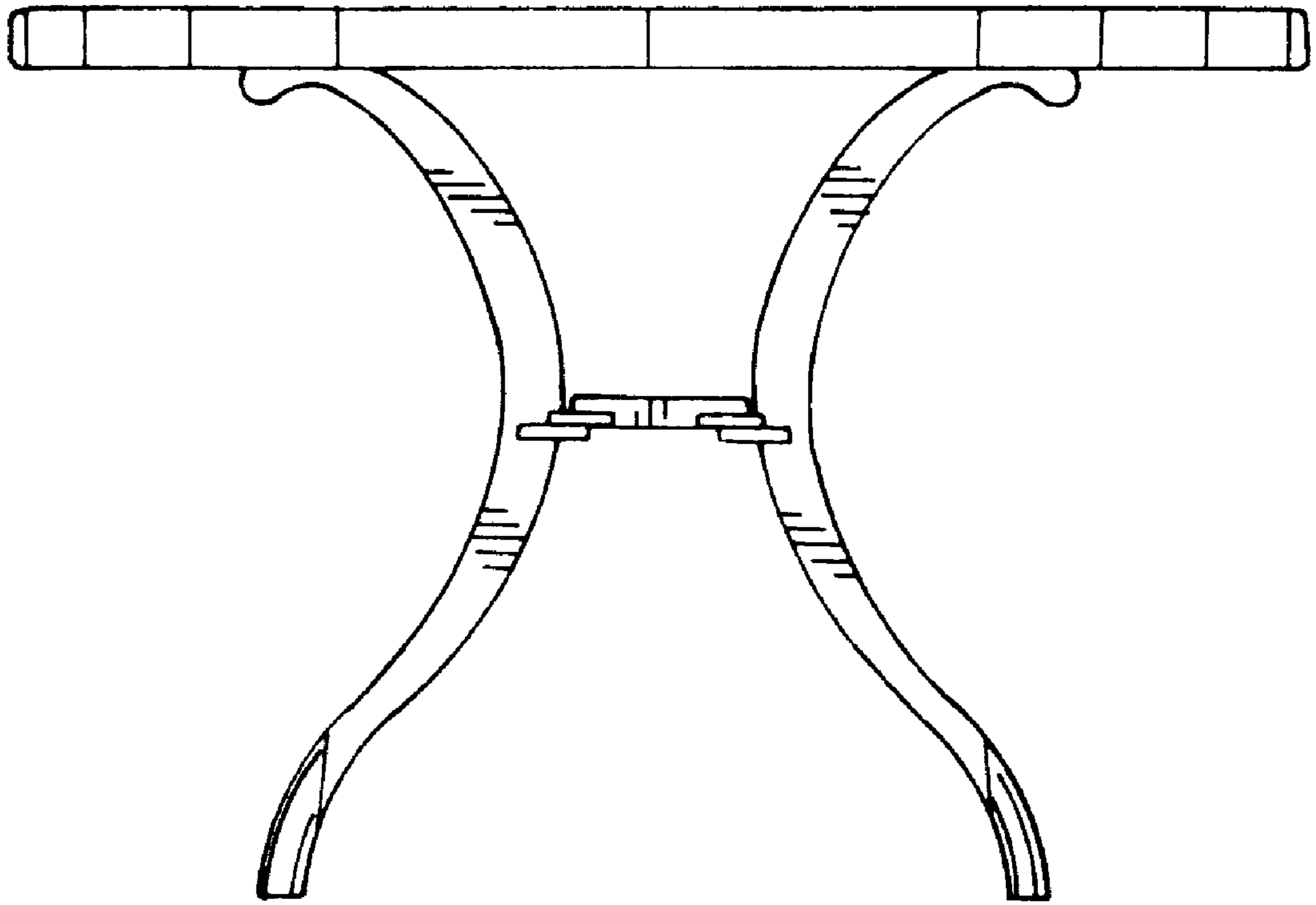


FIG. 5

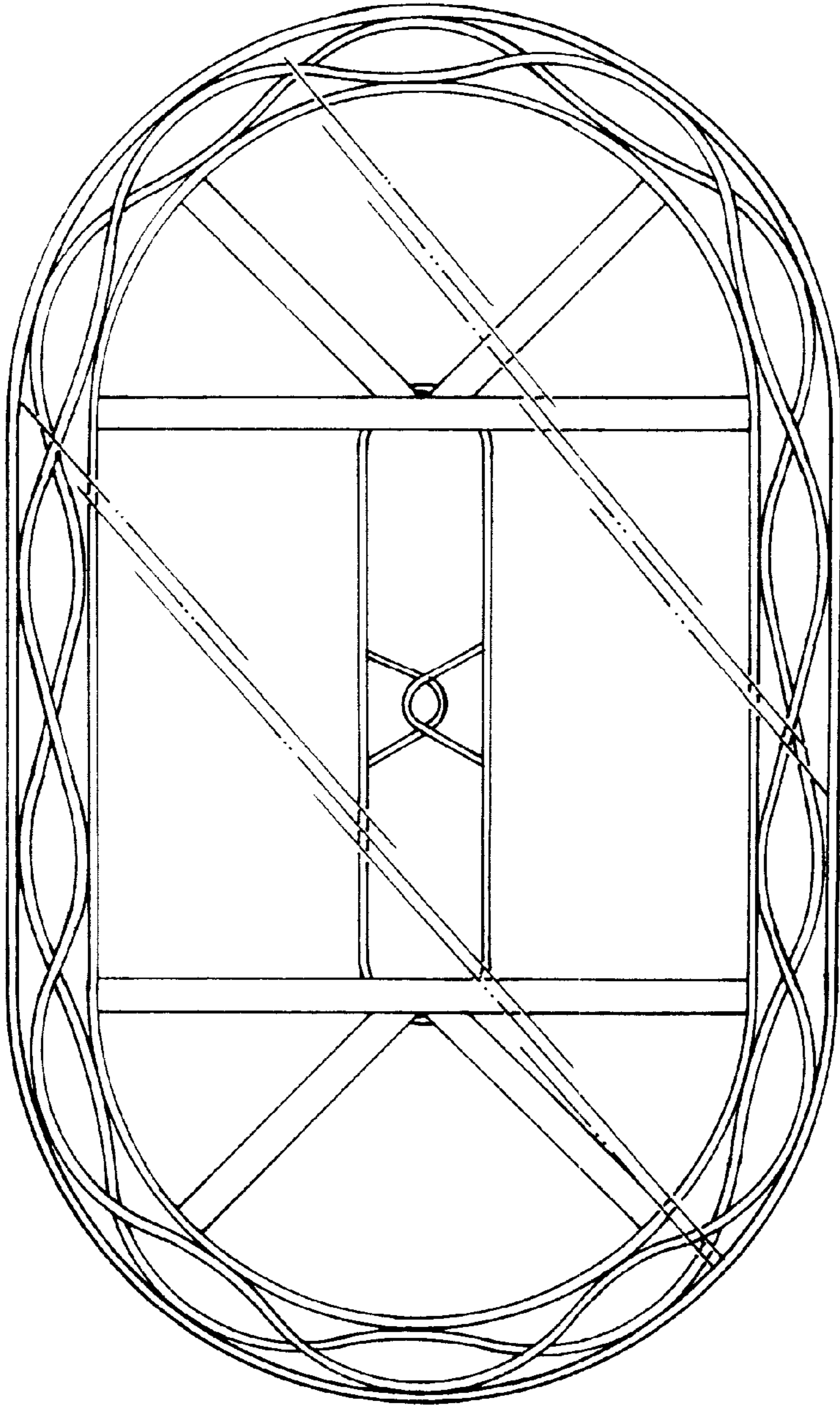


FIG. 6

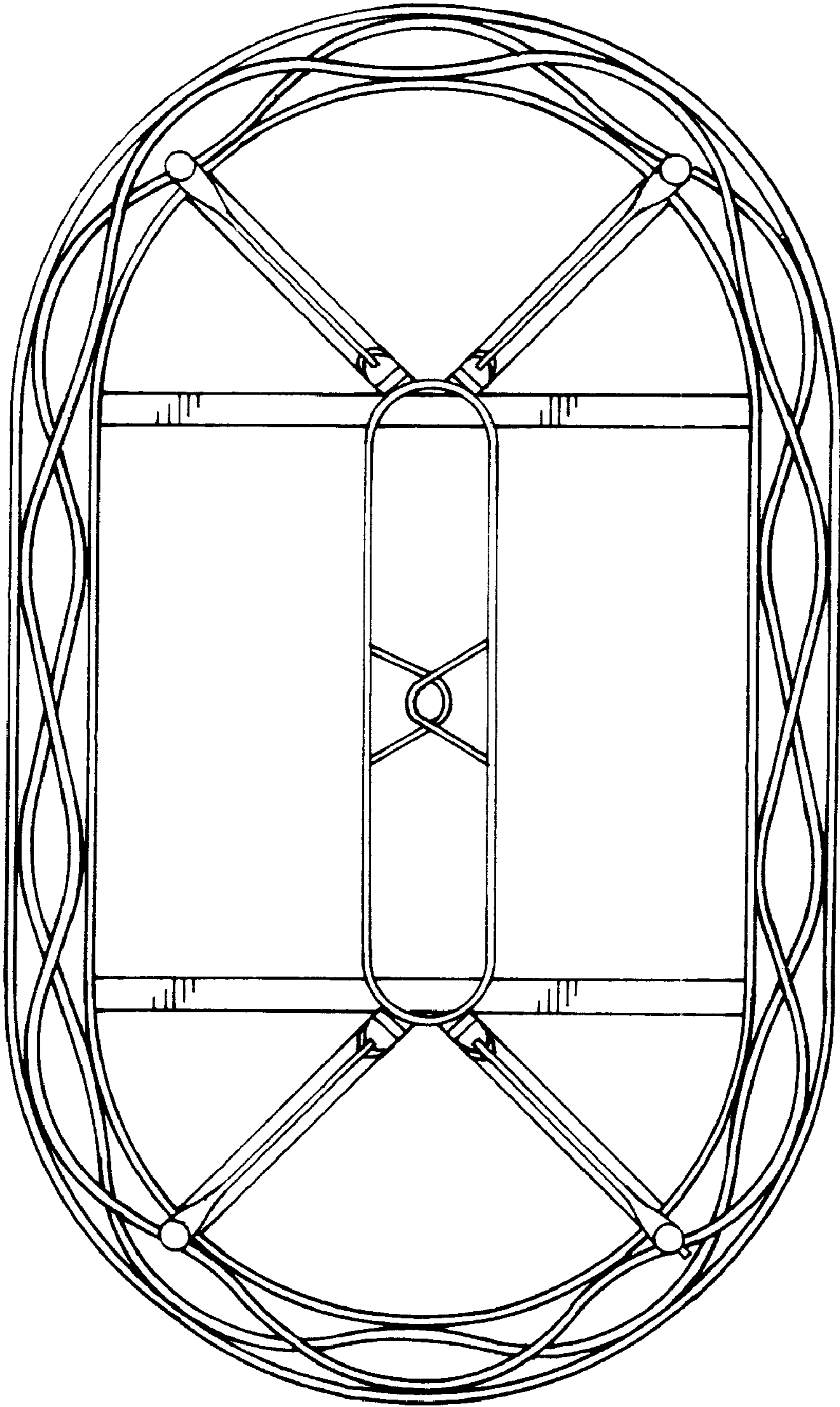


FIG. 7