



US00D418997S

United States Patent [19]

Leveen et al.

[11] Patent Number: **Des. 418,997**

[45] Date of Patent: **** Jan. 18, 2000**

[54] **ADJUSTABLE TABLE**

[75] Inventors: **Steven Leveen**, Delray Beach;
Deborah Base, Boynton Beach; **Denise Tedaldi**, Jupiter, all of Fla.

[73] Assignee: **Levenger Company**, Delray Beach, Fla.

[**] Term: **14 Years**

[21] Appl. No.: **29/097,376**

[22] Filed: **Dec. 4, 1998**

[51] **LOC (7) Cl.** **06-03**

[52] **U.S. Cl.** **D6/429; D6/420; D6/430; D6/480**

[58] **Field of Search** D6/480-489, 429, D6/430, 495, 496, 419, 420; 108/150, 153.1, 155, 156, 157.1, 157.12, 157.17, 159.12, 161, 144.11, 147.18, 147.19, 146, 147.2, 49; 248/188, 188.1, 188.8, 454, 458

[56] **References Cited**

U.S. PATENT DOCUMENTS

D. 331,505 12/1992 Sylvester D6/429

1,867,763 7/1932 Rose 108/49
2,124,765 7/1938 Cooper D6/429
2,749,197 6/1956 Smith 108/49
5,144,898 9/1992 Posly 108/49

Primary Examiner—Janice E. Seeger
Attorney, Agent, or Firm—Quarles & Brady LLP

[57] **CLAIM**

The ornamental design for an adjustable table, as shown and described.

DESCRIPTION

FIG. 1 is a perspective view of an adjustable table showing our new design;
FIG. 2 is a right side elevational view;
FIG. 3 is a front elevational view;
FIG. 4 is a rear elevational view;
FIG. 5 is a left side elevational view;
FIG. 6 is a top plan view;
FIG. 7 is a bottom plan view;
FIG. 8 is a perspective view of the table with the right-hand portion of the work surface in the inclined configuration.

1 Claim, 4 Drawing Sheets

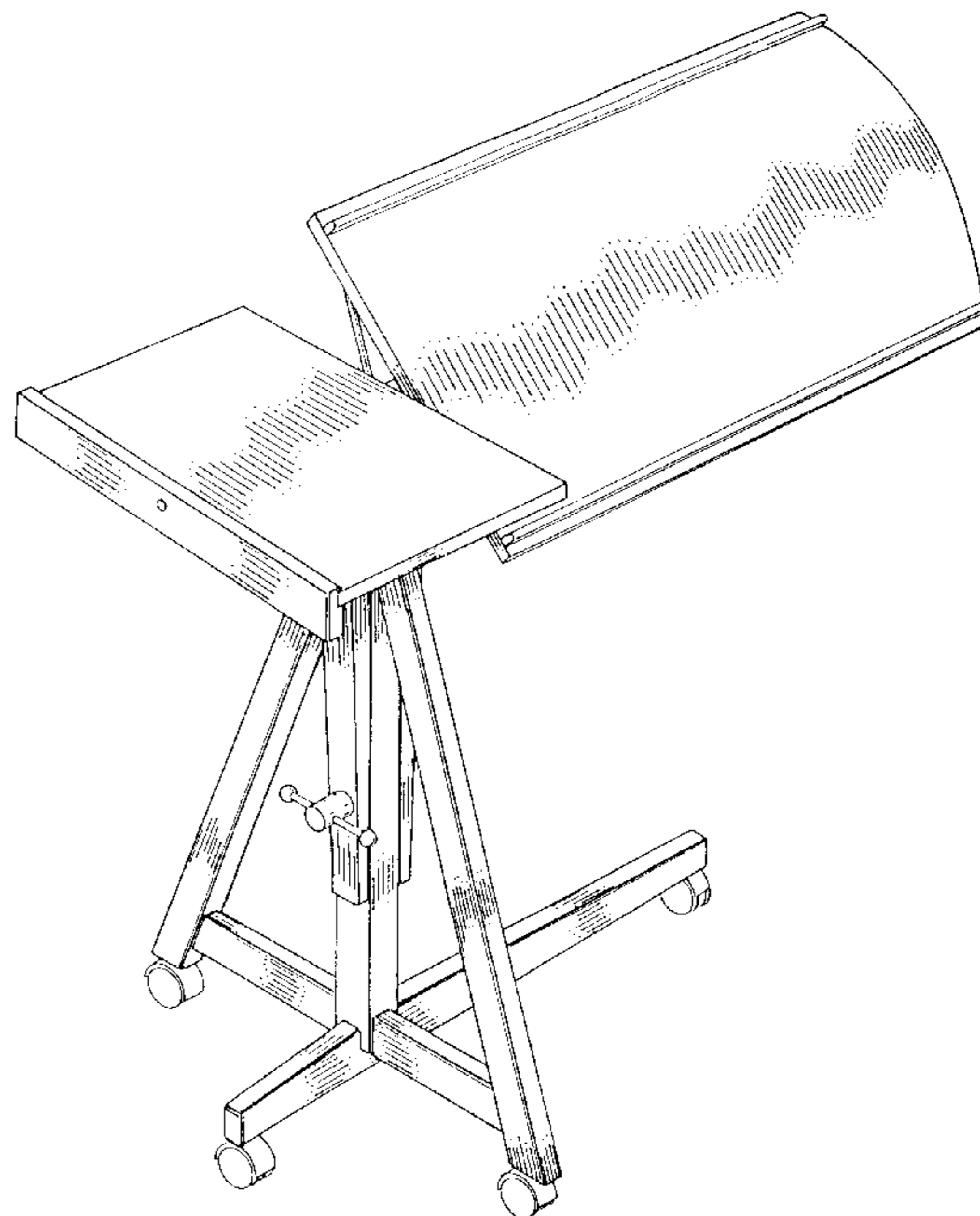
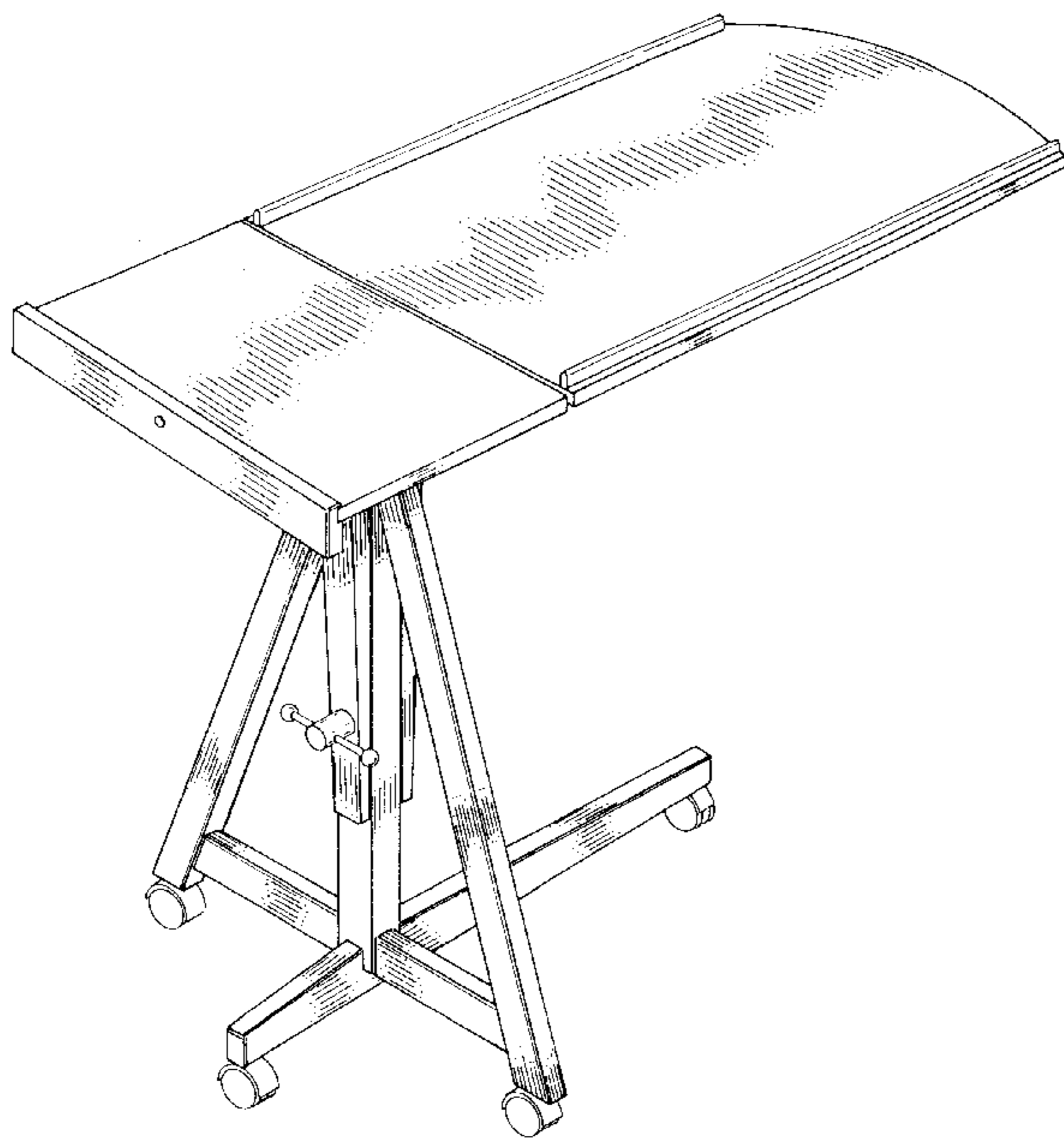




FIG. 1

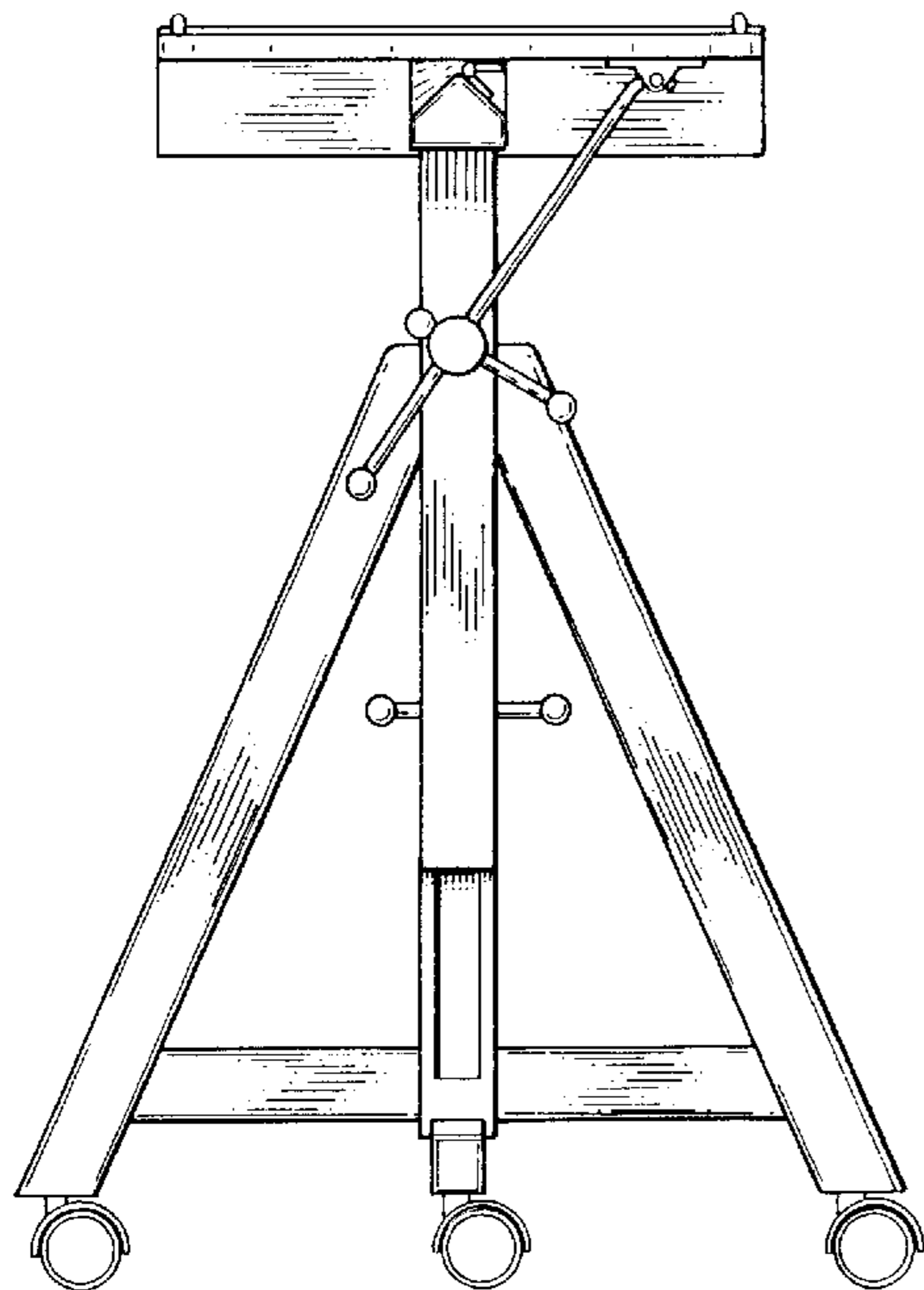


FIG. 2

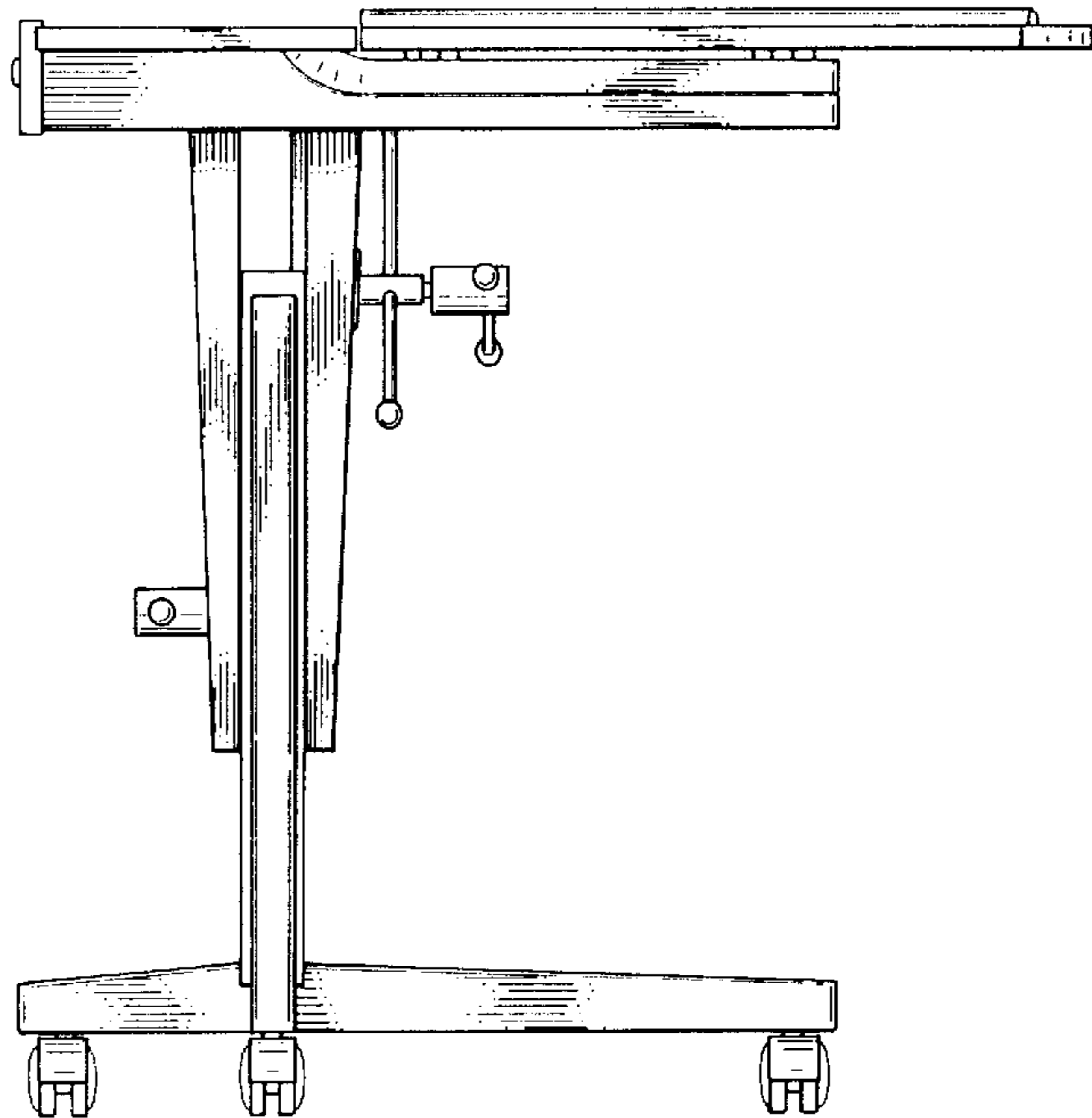


FIG. 3

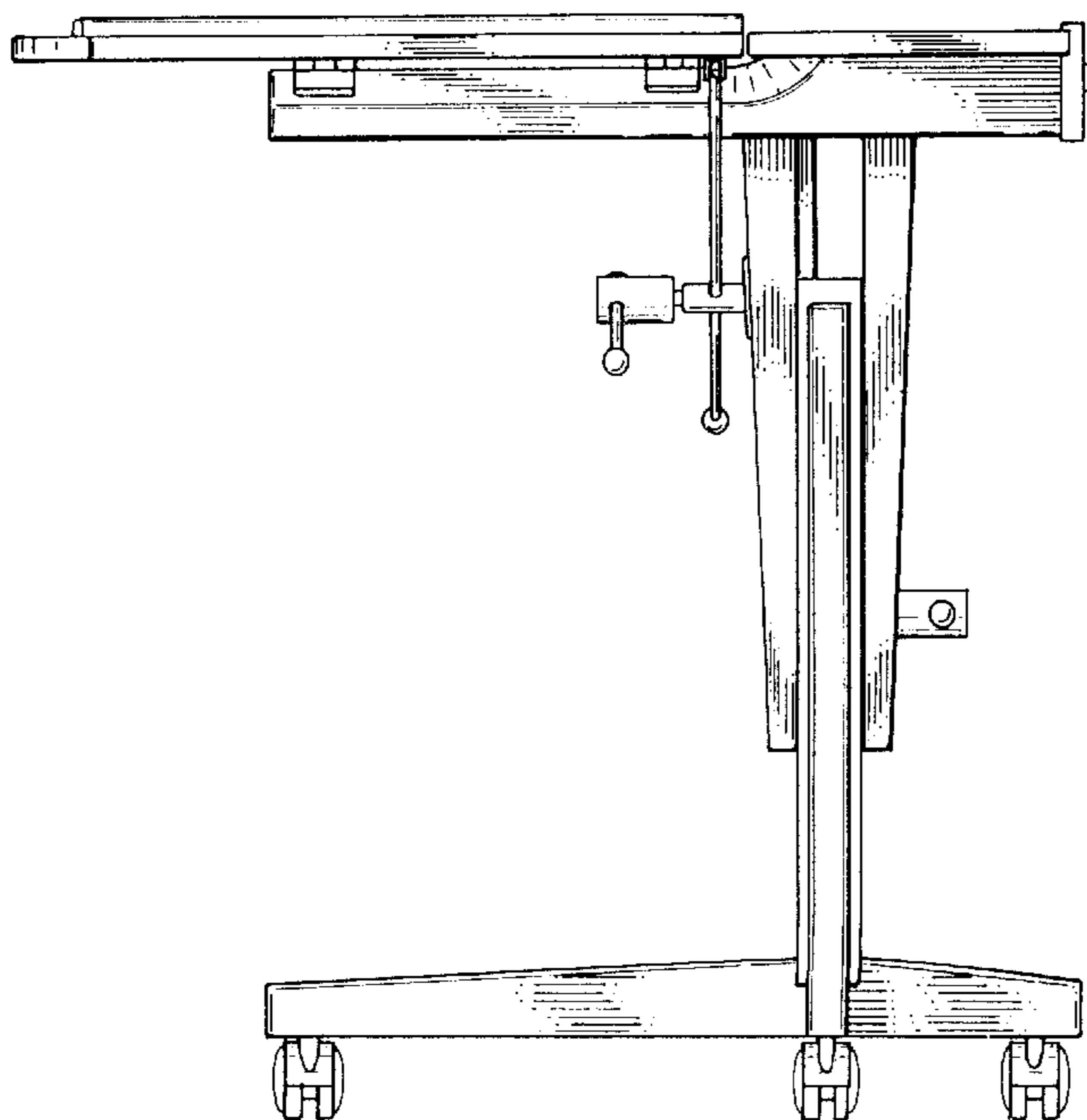


FIG. 4

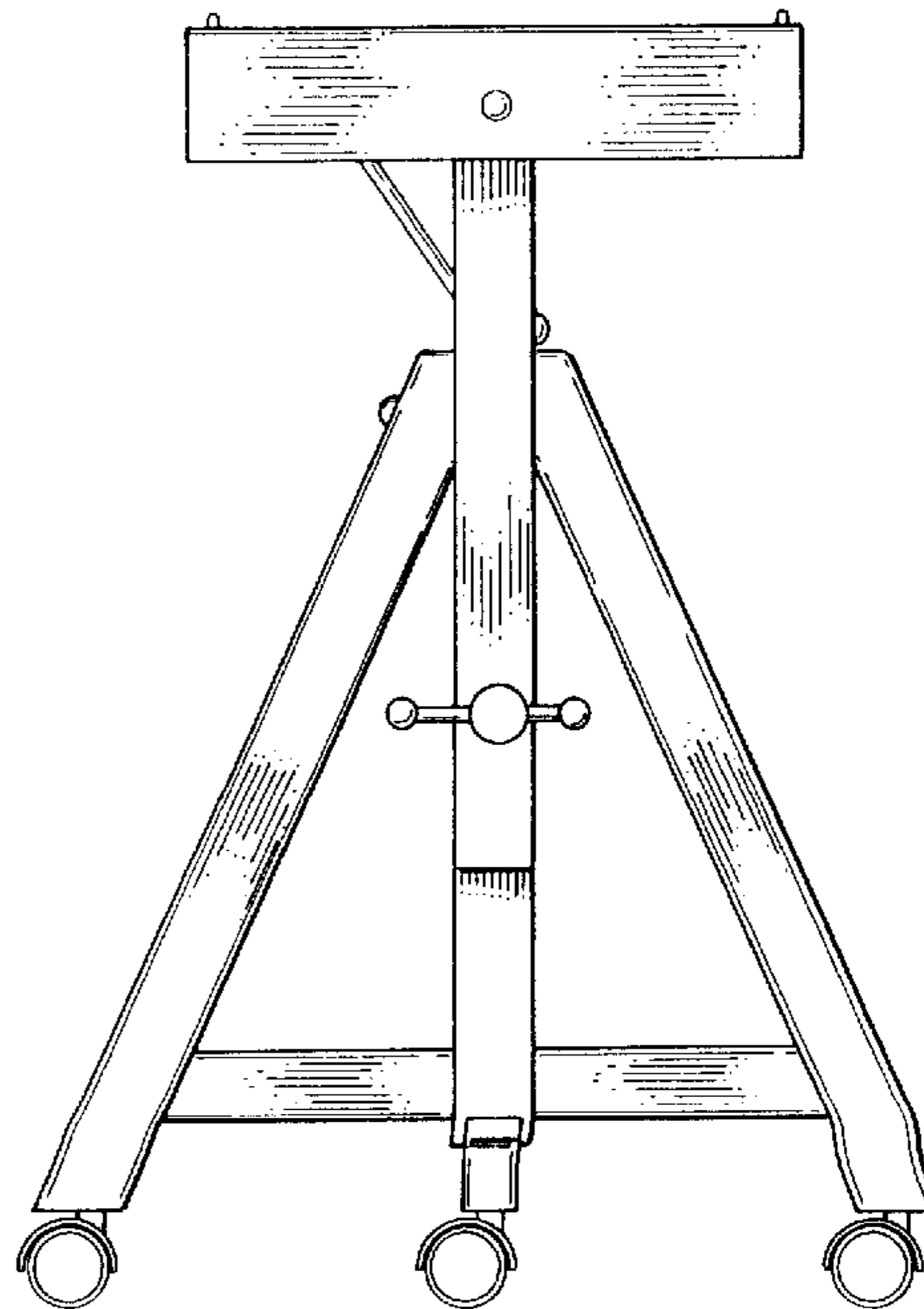


FIG. 5

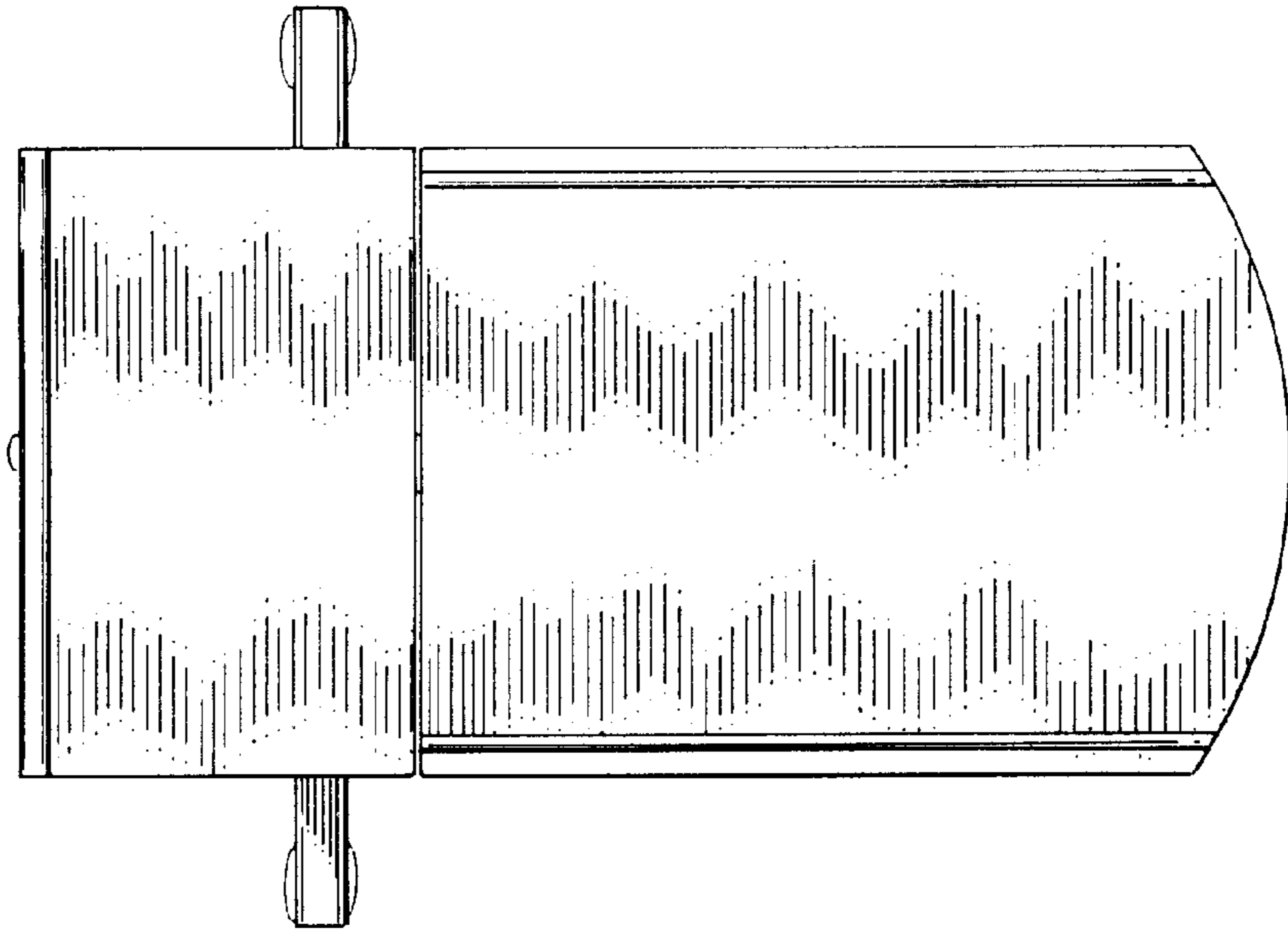


FIG. 6

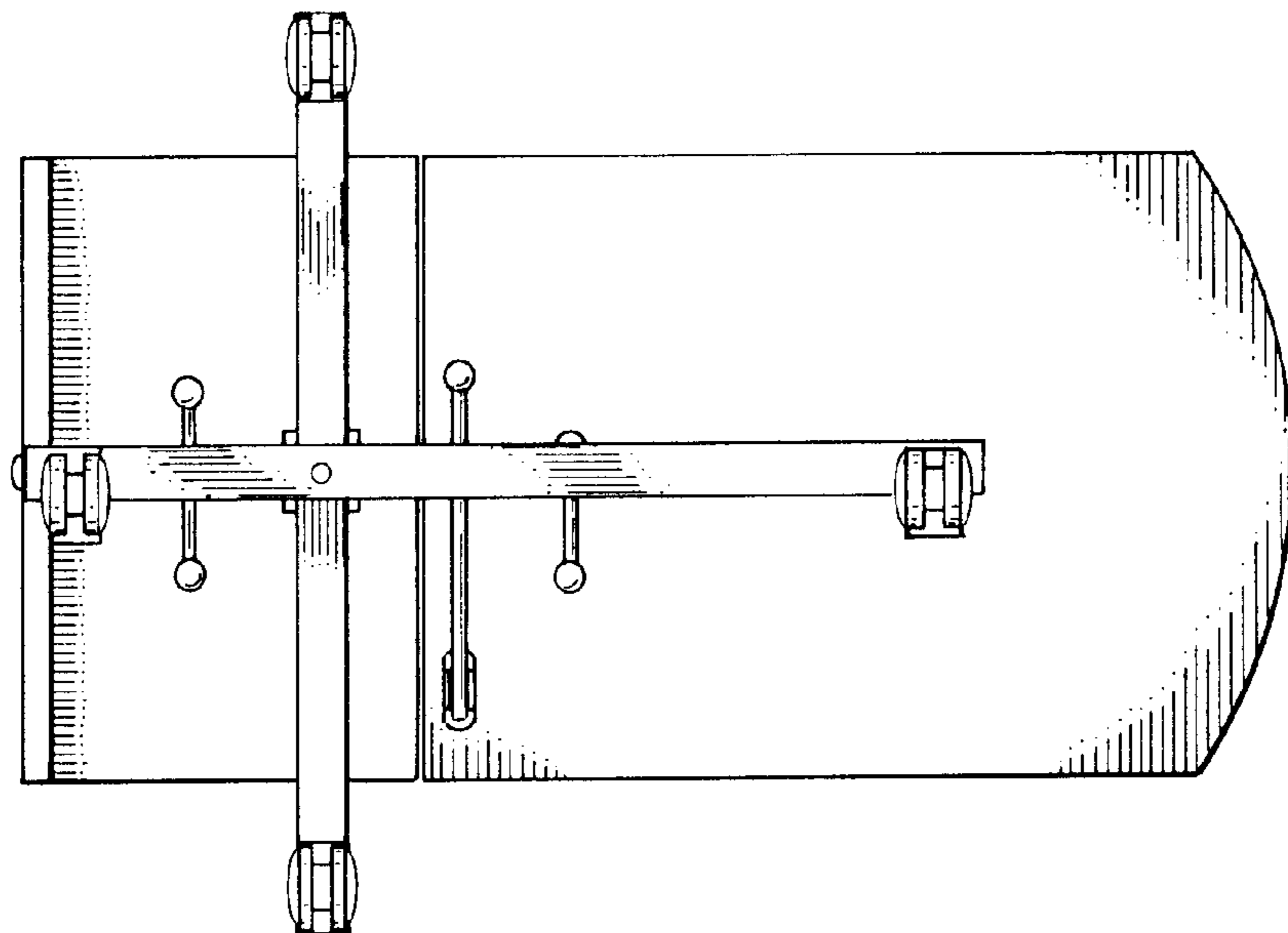


FIG. 7

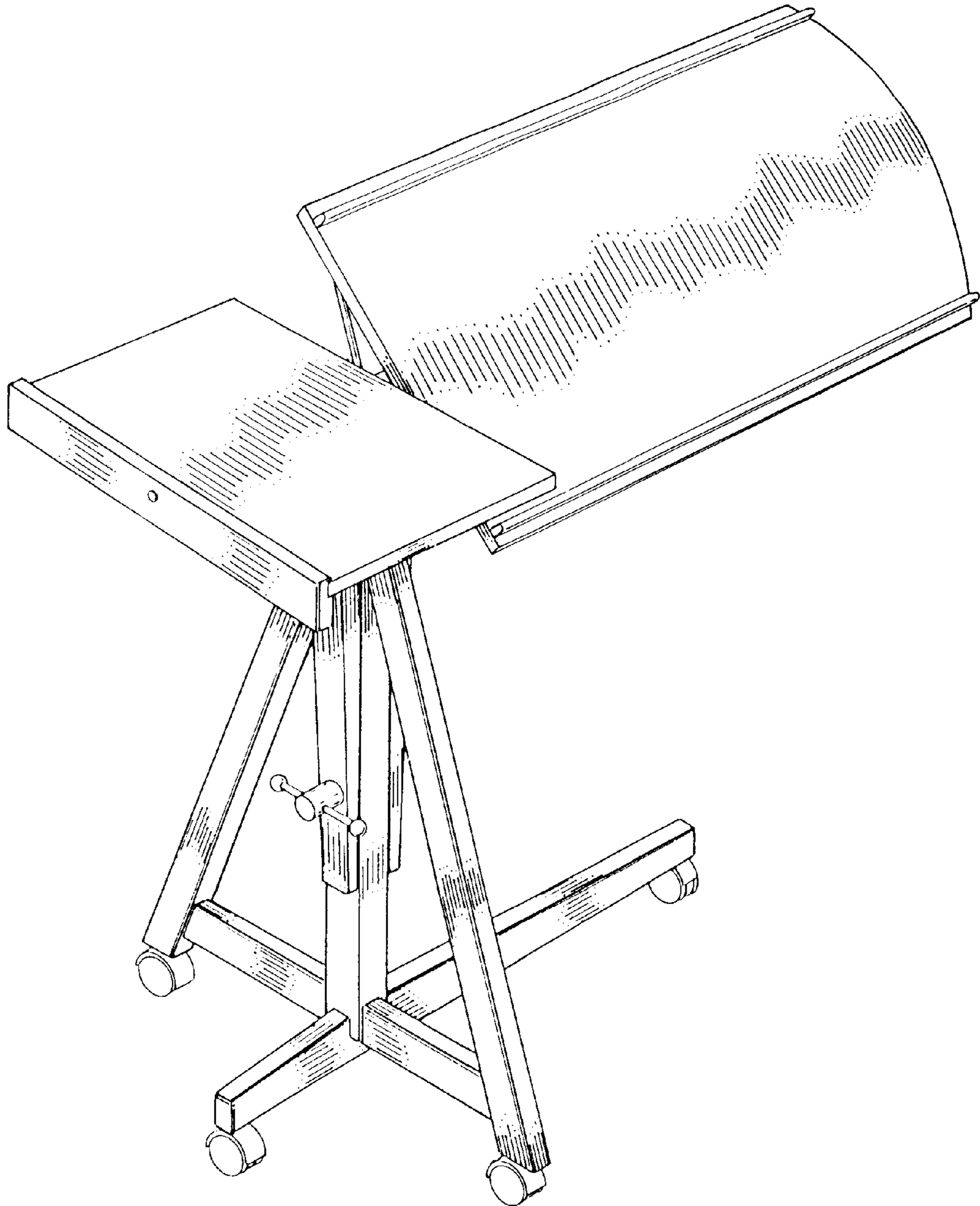


FIG. 8