



US00D418995S

# United States Patent [19]

Blumenthal

[11] Patent Number: **Des. 418,995**

[45] Date of Patent: **\*\* Jan. 18, 2000**

[54] **CRIB**

[76] Inventor: **Martin Blumenthal**, 499 Long View Ave., Chatham, N.J. 07928

[\*\*] Term: **14 Years**

[21] Appl. No.: **29/104,067**

[22] Filed: **Apr. 27, 1999**

[51] **LOC (7) Cl.** ..... **06-01**

[52] **U.S. Cl.** ..... **D6/385; D6/388; D6/390**

[58] **Field of Search** ..... D6/382, 383, 385, D6/388-395, 505-508; 5/53.1, 101, 105, 279.1, 280, 281, 907

[56] **References Cited**

**U.S. PATENT DOCUMENTS**

- D. 139,630 12/1944 Wade ..... D6/385
- D. 147,787 11/1947 Guastella ..... D6/385
- D. 181,863 1/1958 Lovett ..... D6/385

- D. 184,738 3/1959 Josephson ..... D6/385
- D. 252,474 7/1979 Abrams ..... D6/385 X

**OTHER PUBLICATIONS**

Helig-Meyers Furniture, Pine Daybead at lower left.

*Primary Examiner*—Janice E. Seeger  
*Attorney, Agent, or Firm*—Thomas A. Beck; Baker & Friedman

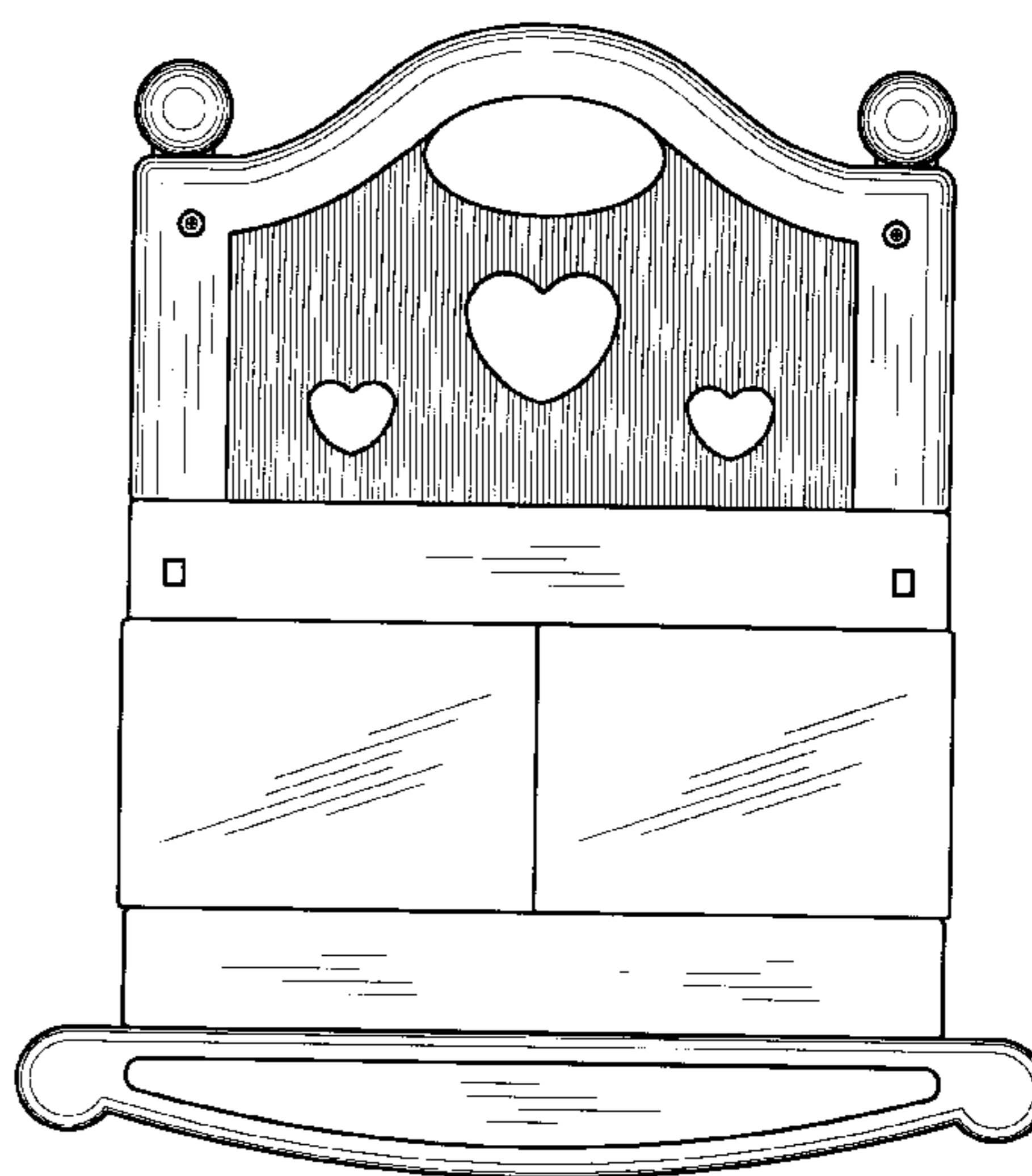
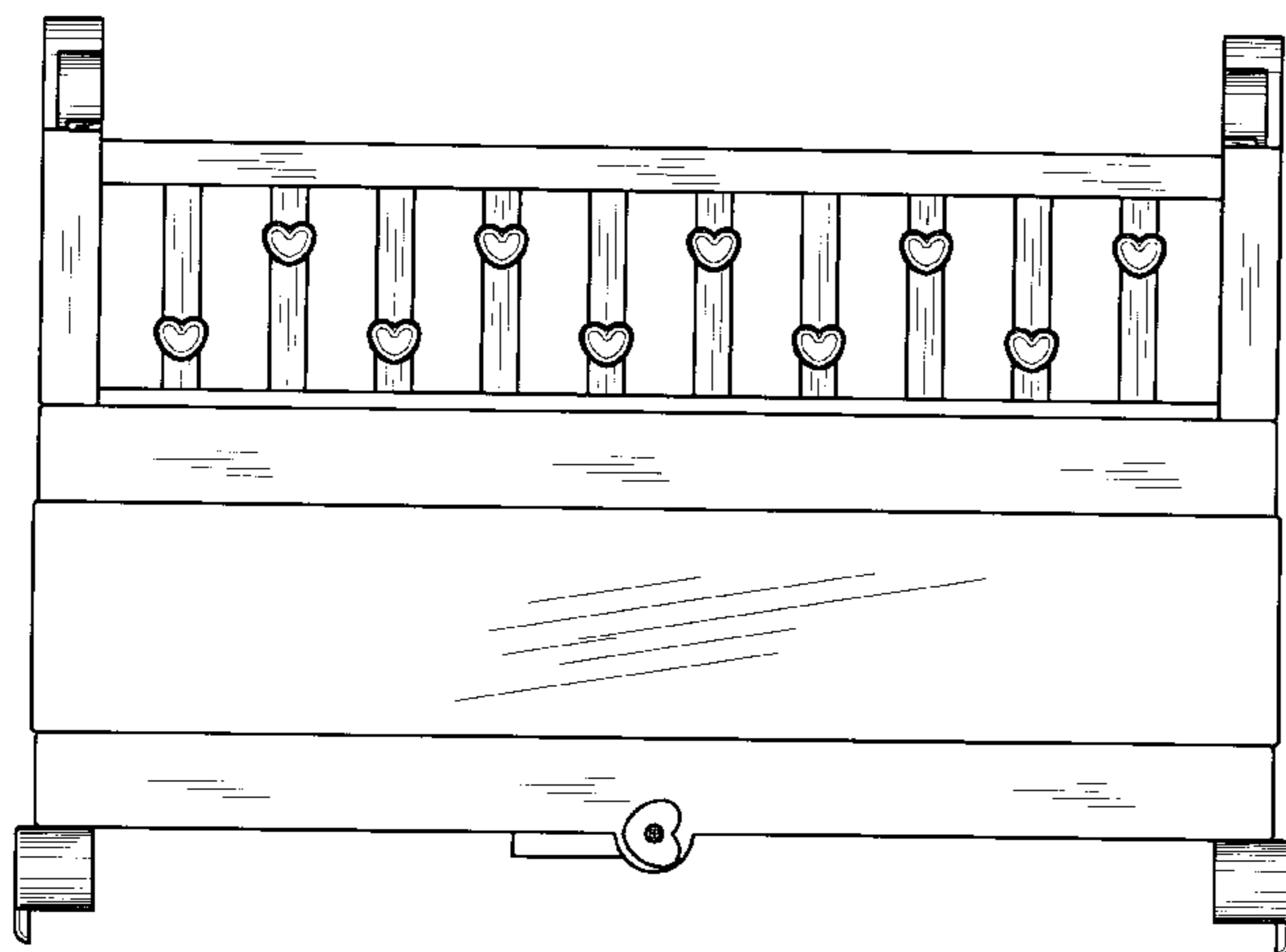
[57] **CLAIM**

The ornamental design for a crib, as shown.

**DESCRIPTION**

FIG. 1 is a front view of the crib;  
FIG. 2 is a back view thereof;  
FIG. 3 is a right view thereof;  
FIG. 4 is a left view thereof;  
FIG. 5 is a top view thereof; and,  
FIG. 6 is a bottom view thereof.

**1 Claim, 3 Drawing Sheets**



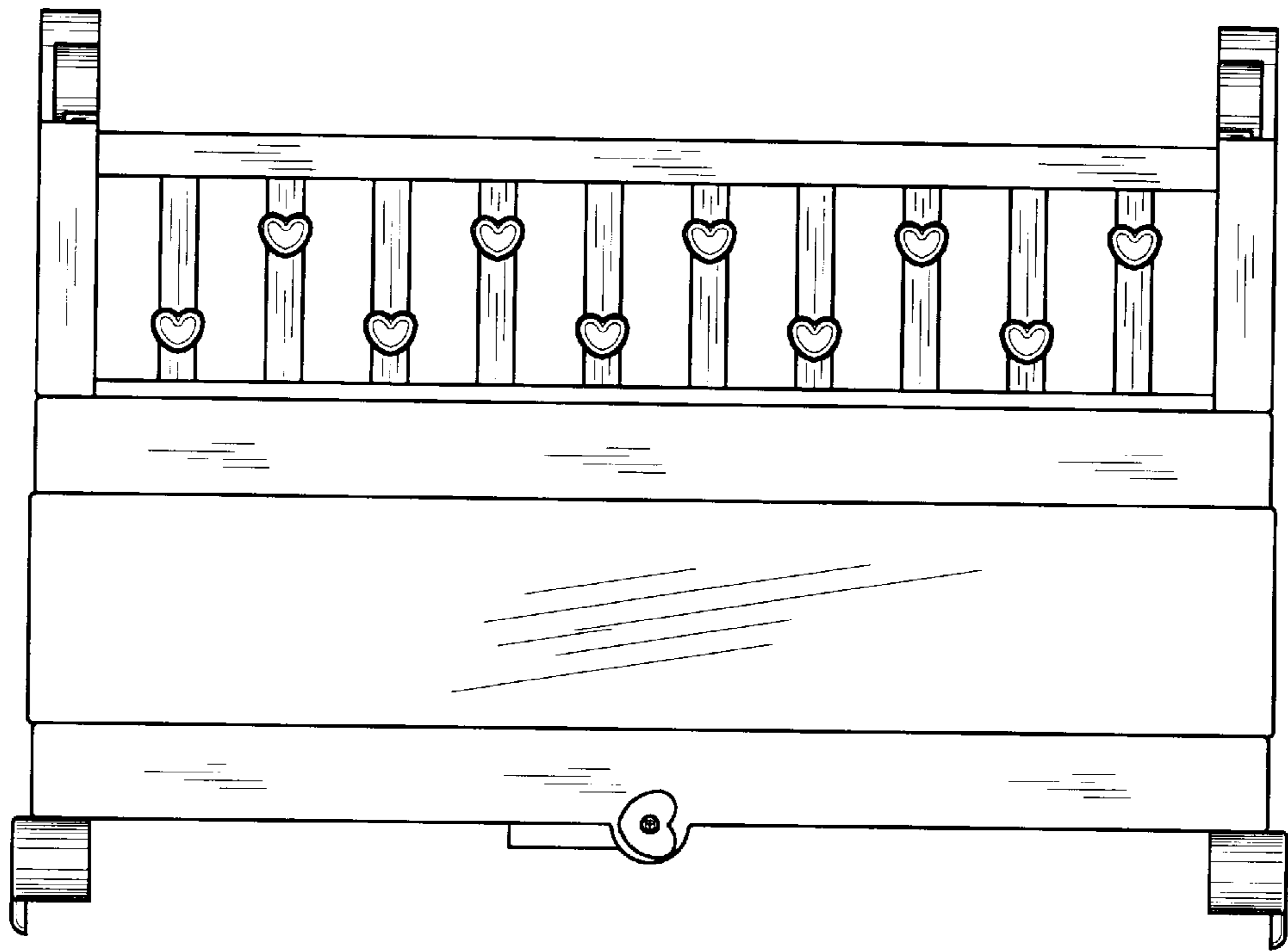


Fig. 1

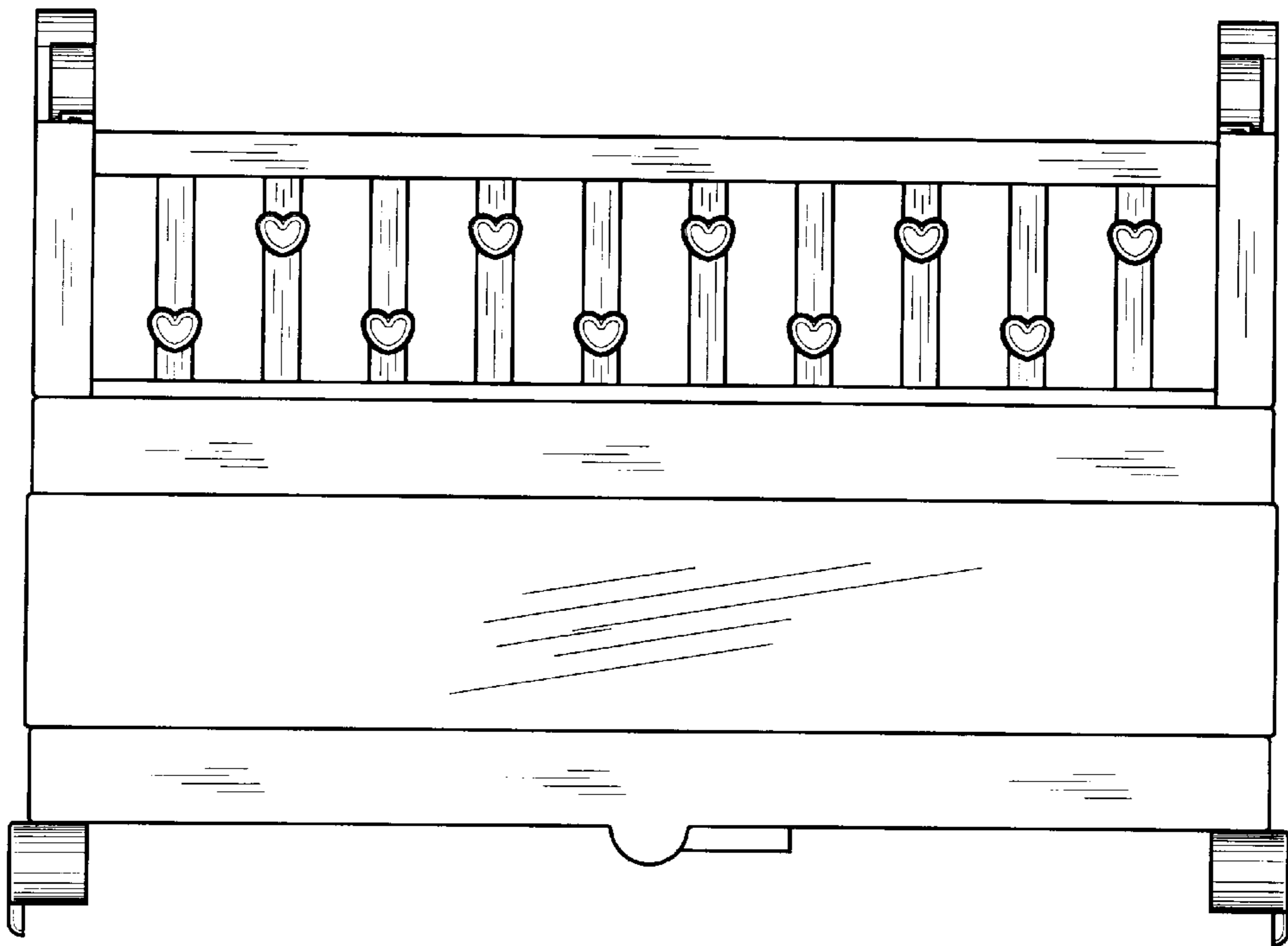


Fig. 2

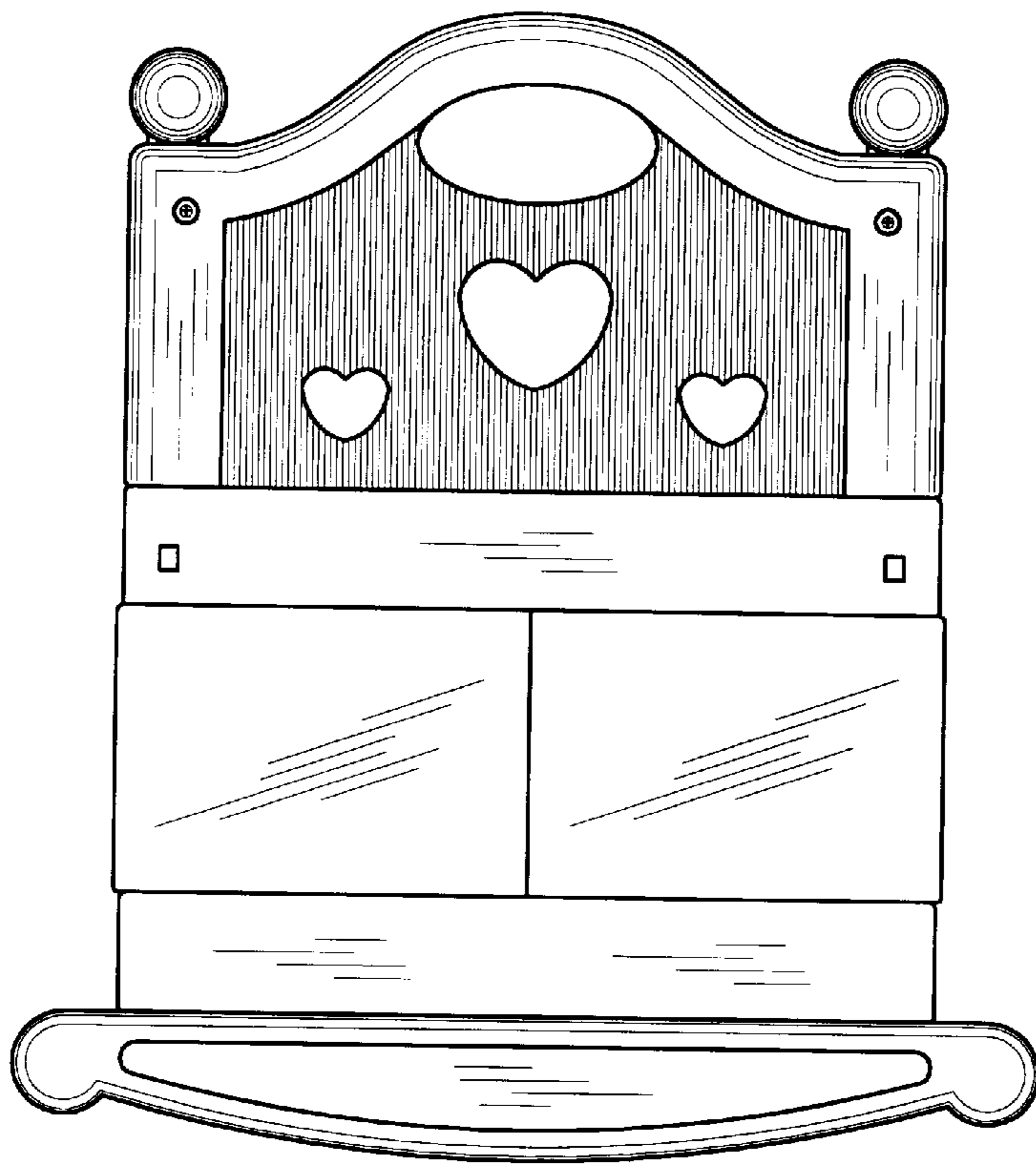


Fig. 3

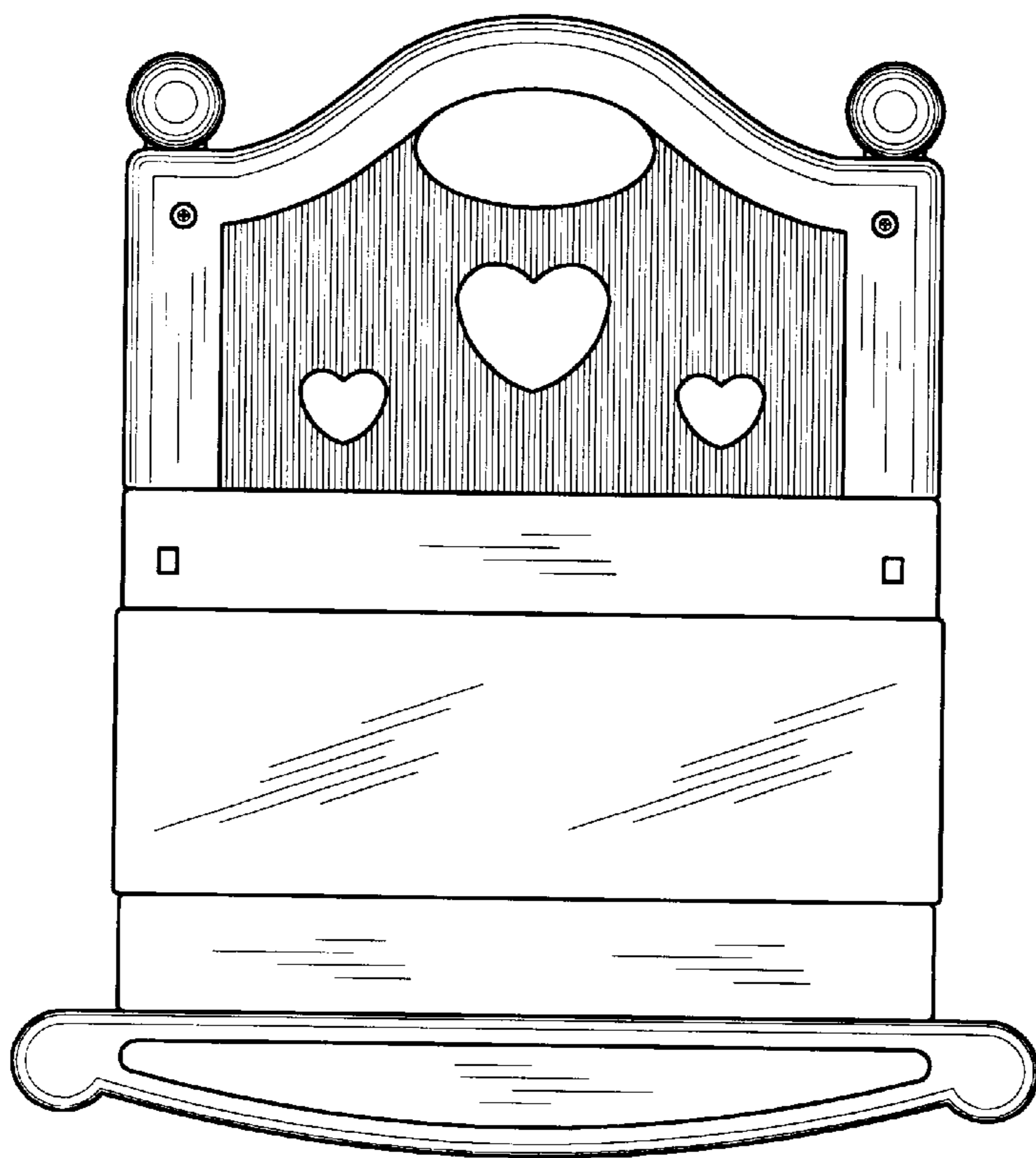


Fig. 4

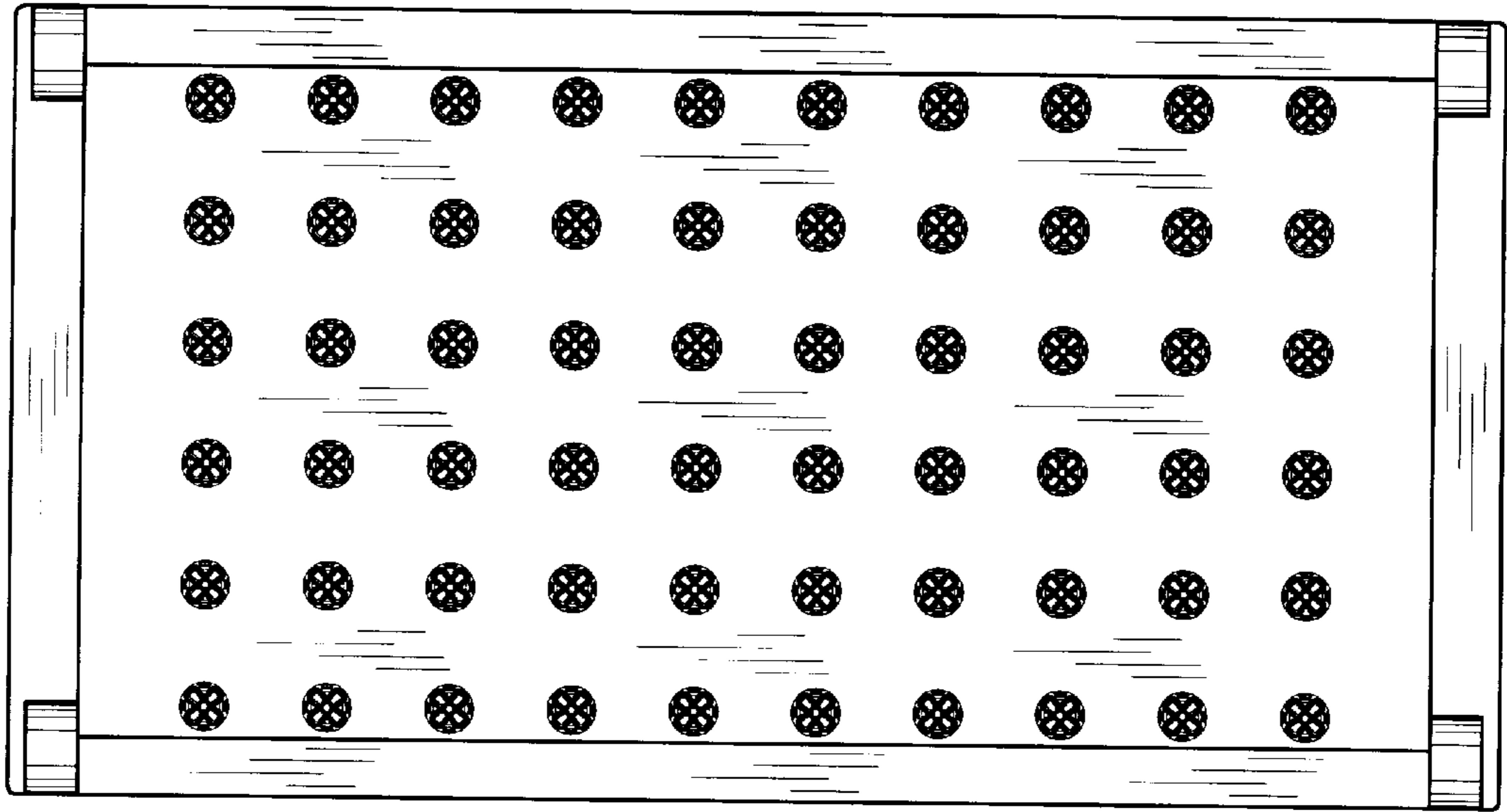


Fig. 5

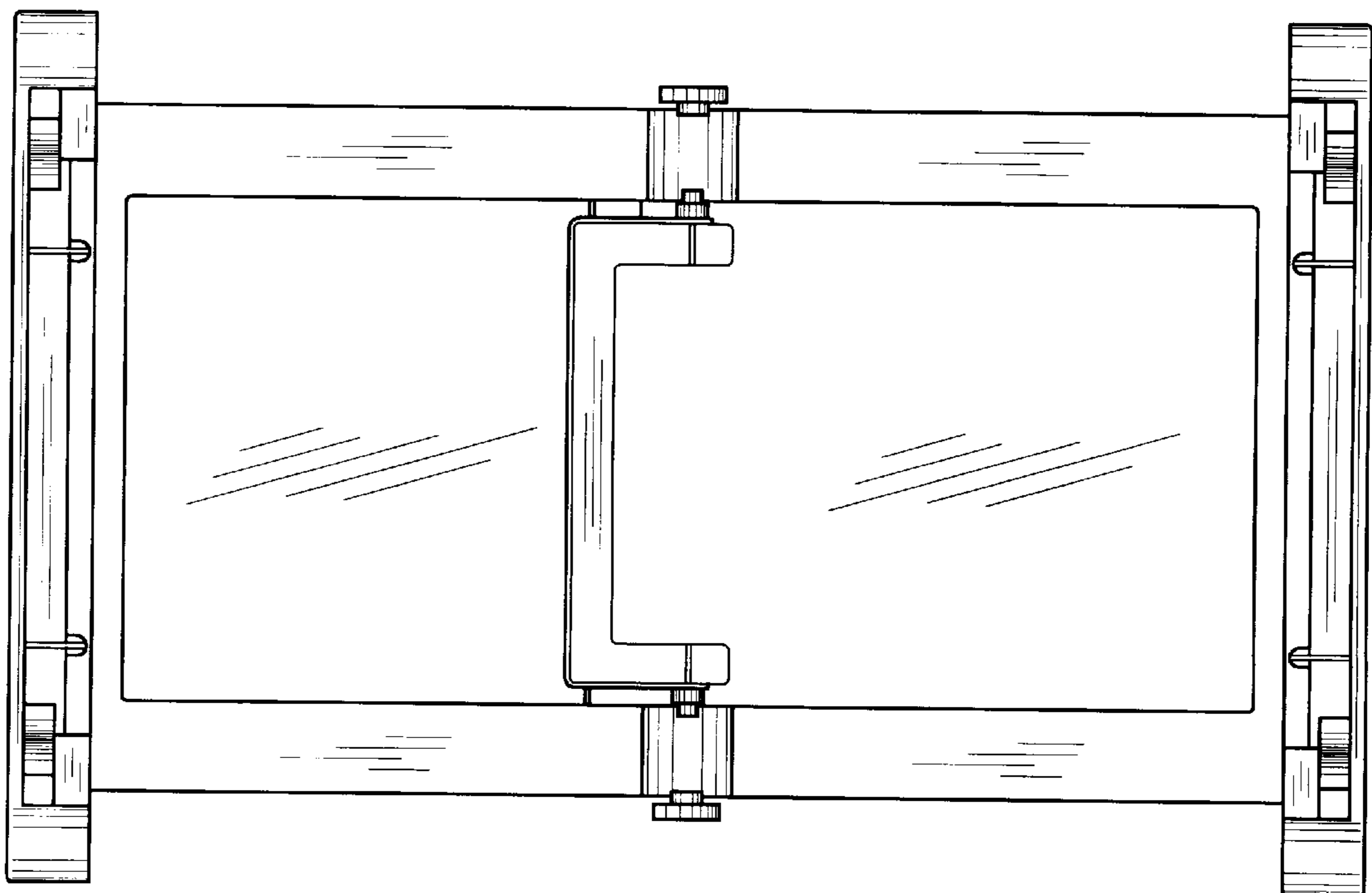


Fig. 6